



US00D656550S

(12) **United States Design Patent**
Thomas

(10) **Patent No.:** **US D656,550 S**
(45) **Date of Patent:** **** Mar. 27, 2012**

(54) **CABLE LABEL**

(76) Inventor: **Diana Thomas**, Newport Beach, CA
(US)

(**) Term: **14 Years**

(21) Appl. No.: **29/402,174**

(22) Filed: **Sep. 21, 2011**

(51) **LOC (9) Cl.** **19-08**

(52) **U.S. Cl.** **D20/22; D13/157**

(58) **Field of Classification Search** D20/10,
D20/19, 22-28, 40, 99; 40/1.5, 1.6, 5, 299.01,
40/316, 336, 339, 360, 625, 626, 630, 636,
40/658, 660, 661; D13/153, 154, 157; 174/102 R,
174/112, 135

See application file for complete search history.

(56) **References Cited**

U.S. PATENT DOCUMENTS

4,019,272	A *	4/1977	Kerz	40/316
4,033,057	A *	7/1977	Jaffe	40/665
4,899,474	A *	2/1990	Piana et al.	40/316
D325,400	S *	4/1992	Wolff	D20/42
D388,833	S *	1/1998	Wilson	D20/22
D404,363	S *	1/1999	Pyle	D13/154
D421,773	S *	3/2000	Yashar	D20/42
D472,220	S *	3/2003	Mellgren	D13/157
6,843,008	B2 *	1/2005	Mellgren	40/316
D514,625	S *	2/2006	Segura	D20/22
7,194,829	B2 *	3/2007	Boire et al.	40/316

7,543,359	B2	6/2009	Moughelbay et al.	
2008/0189995	A1 *	8/2008	Boire et al. 40/316
2011/0017489	A1 *	1/2011	Agan et al. 174/102 R

FOREIGN PATENT DOCUMENTS

DE 203 07 877 U1 8/2003

* cited by examiner

Primary Examiner — Mary Ann Calabrese

(74) *Attorney, Agent, or Firm* — Lewis, Rice & Fingersh,
L.C.

(57) **CLAIM**

The ornamental design for a cable label, as shown and described.

DESCRIPTION

FIG. 1 provides a front bottom perspective view of a cable label.

FIG. 2 provides a front elevational view of a cable label.

FIG. 3 provides a back elevational view of a cable label.

FIG. 4 provides a bottom plan view of a cable label.

FIG. 5 provides a top plan view of a cable label.

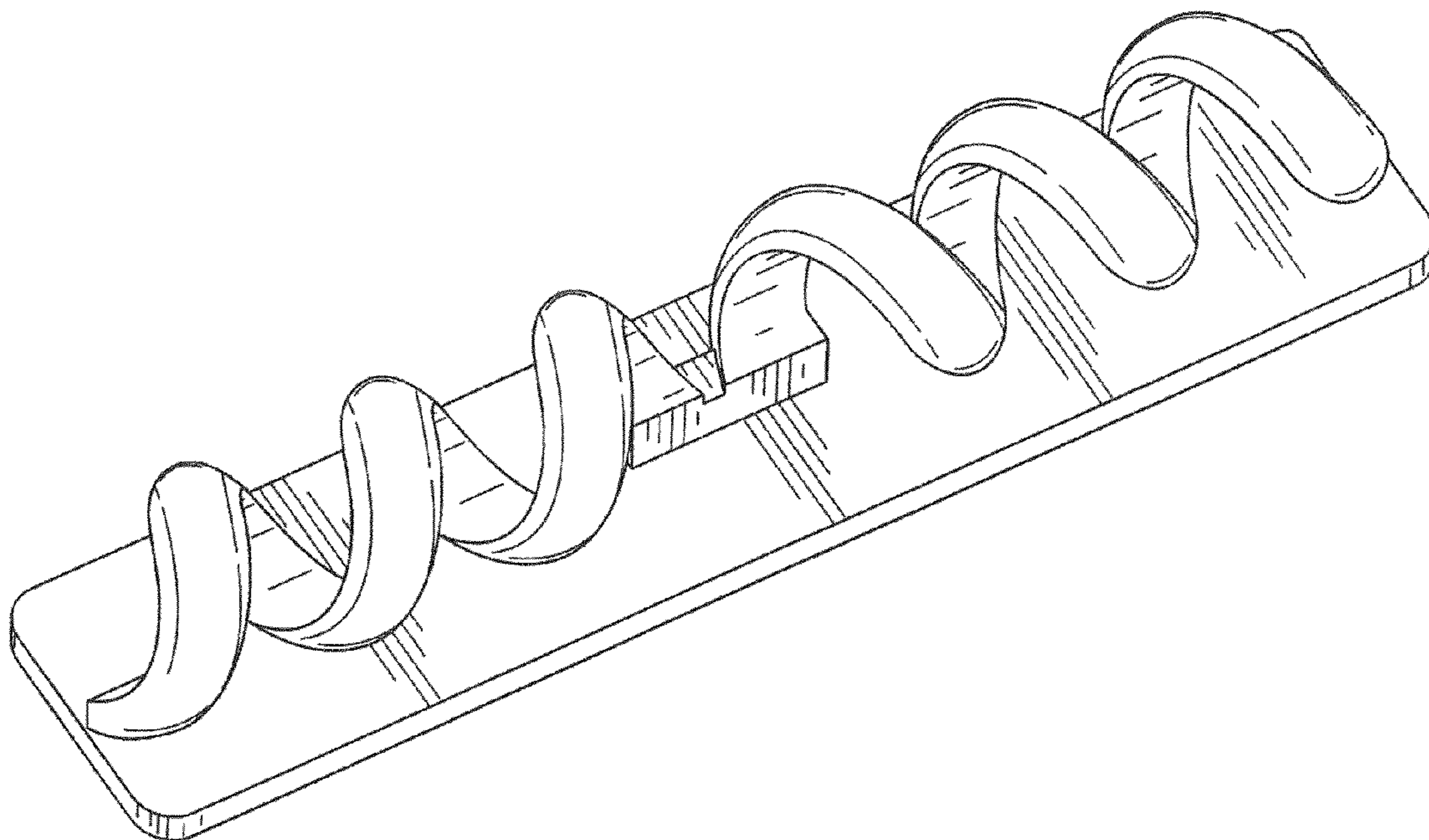
FIG. 6 provides a right side elevational view of a cable label.

FIG. 7 provides a left side elevational view of a cable label; and,

FIG. 8 provides a back top perspective view of a cable label attached to a wire and having a label.

The broken lines showing a wire and label in use with the cable label are for illustrative purposes only and form no part of the invention.

1 Claim, 5 Drawing Sheets



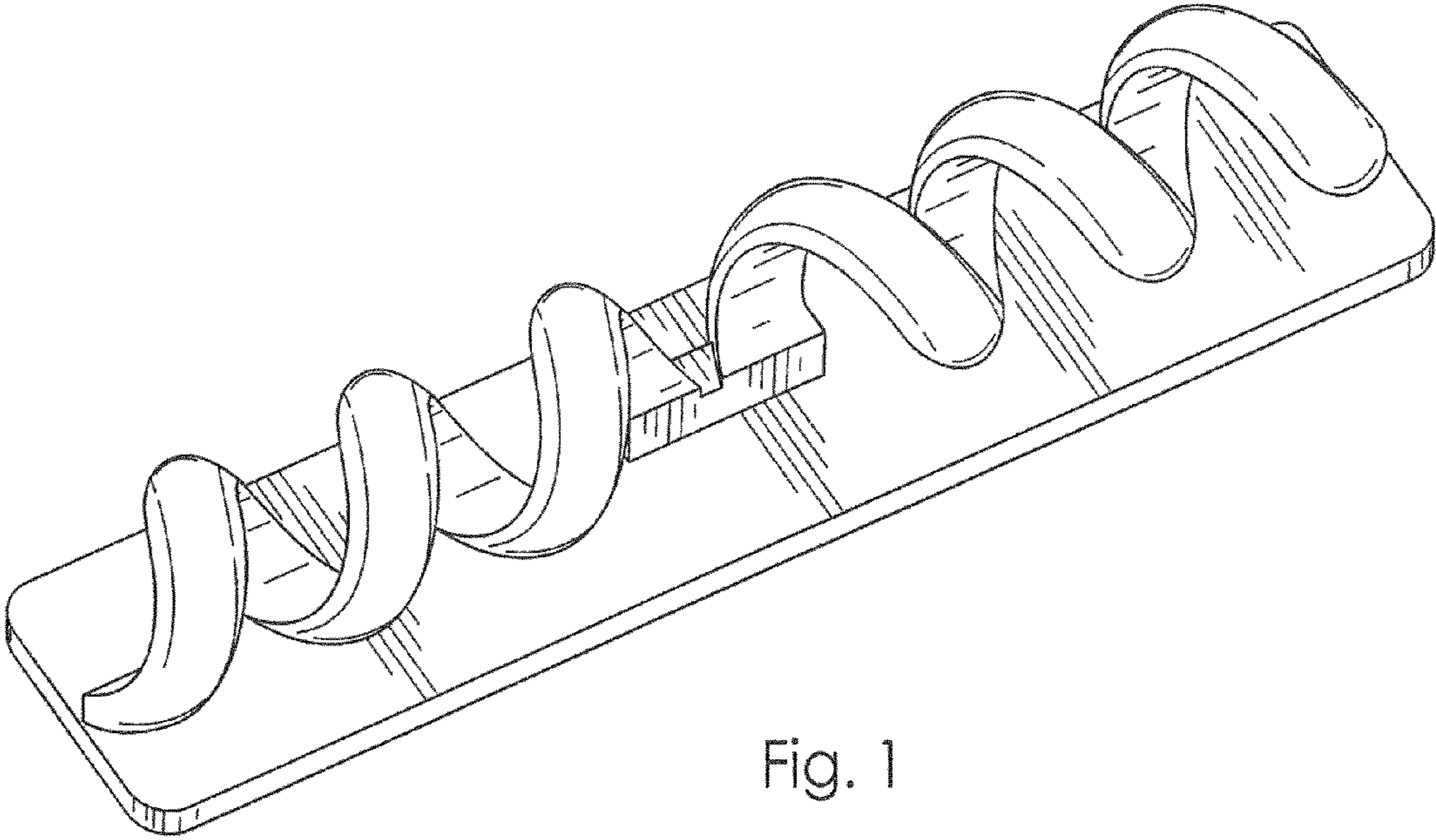


Fig. 1

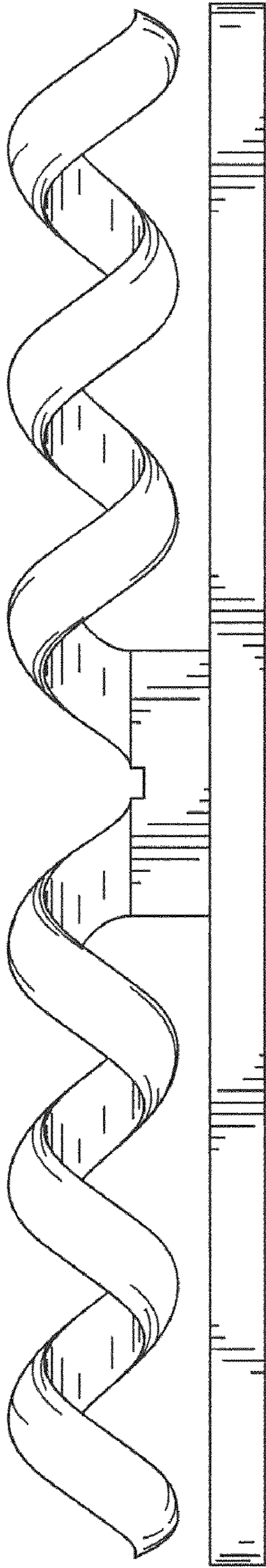


Fig. 2

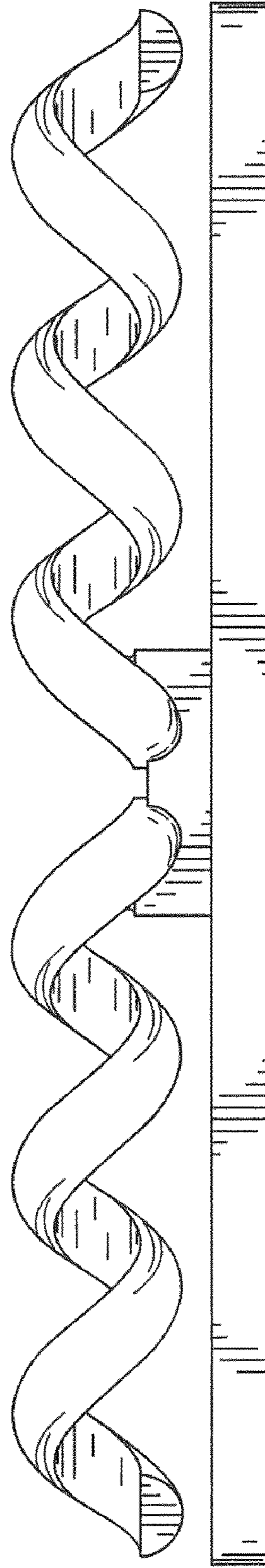


Fig. 3

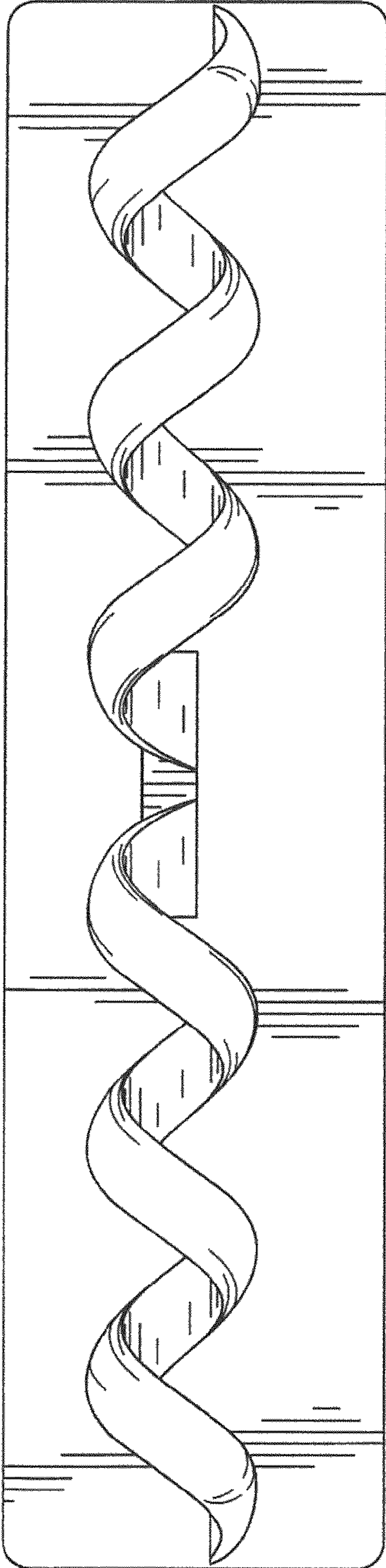


Fig. 4

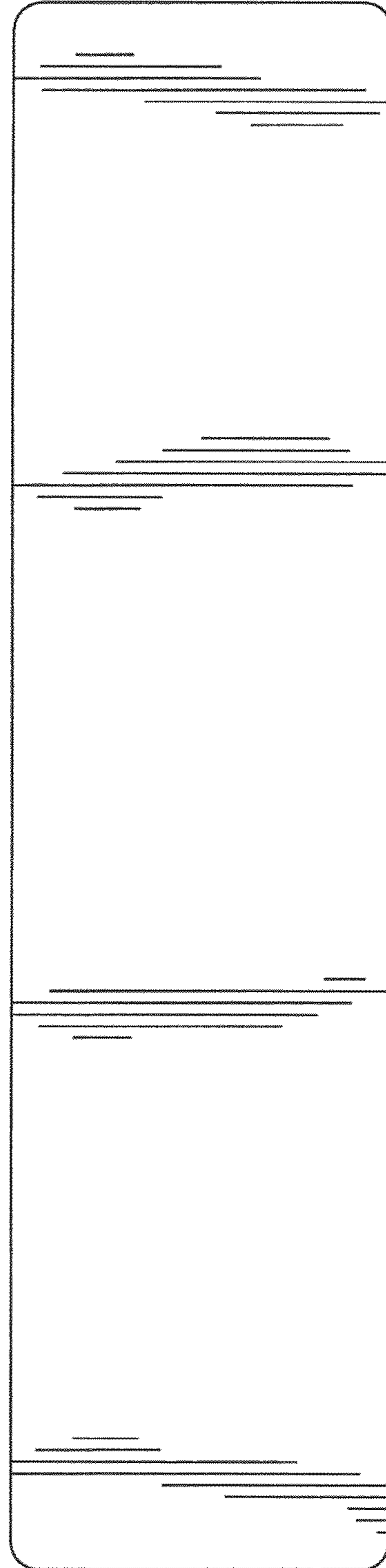


Fig. 5

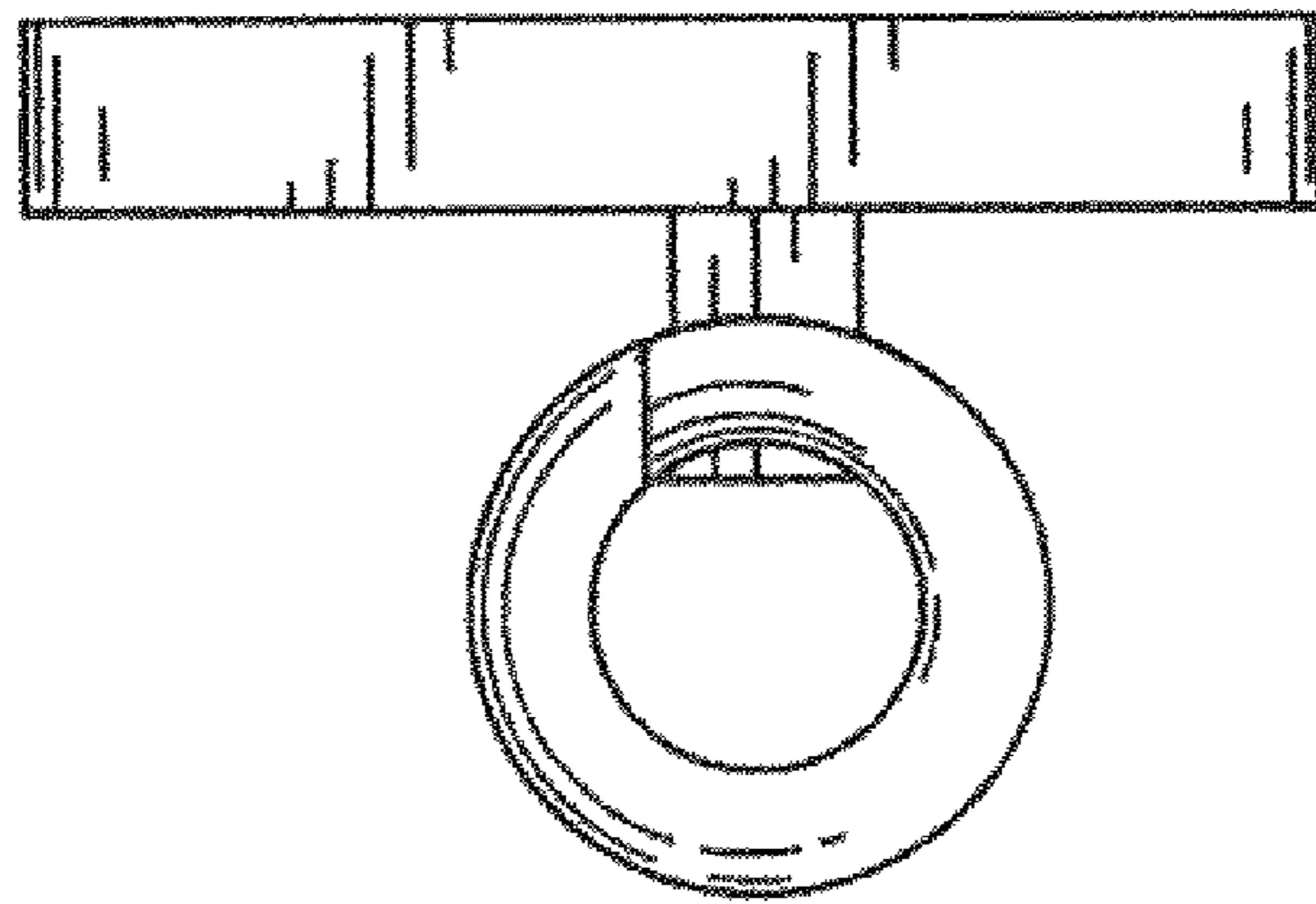


Fig. 6

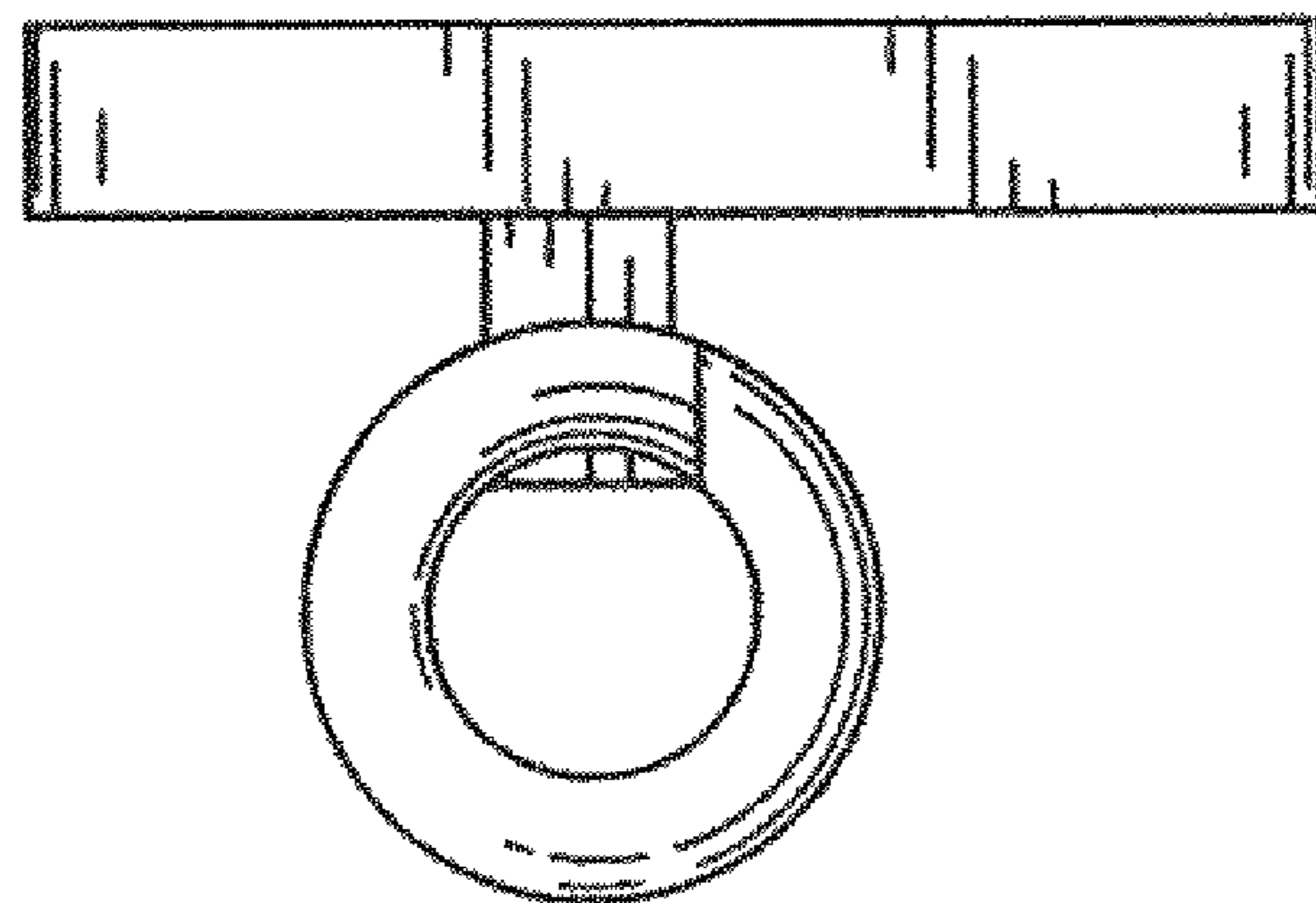


Fig. 7

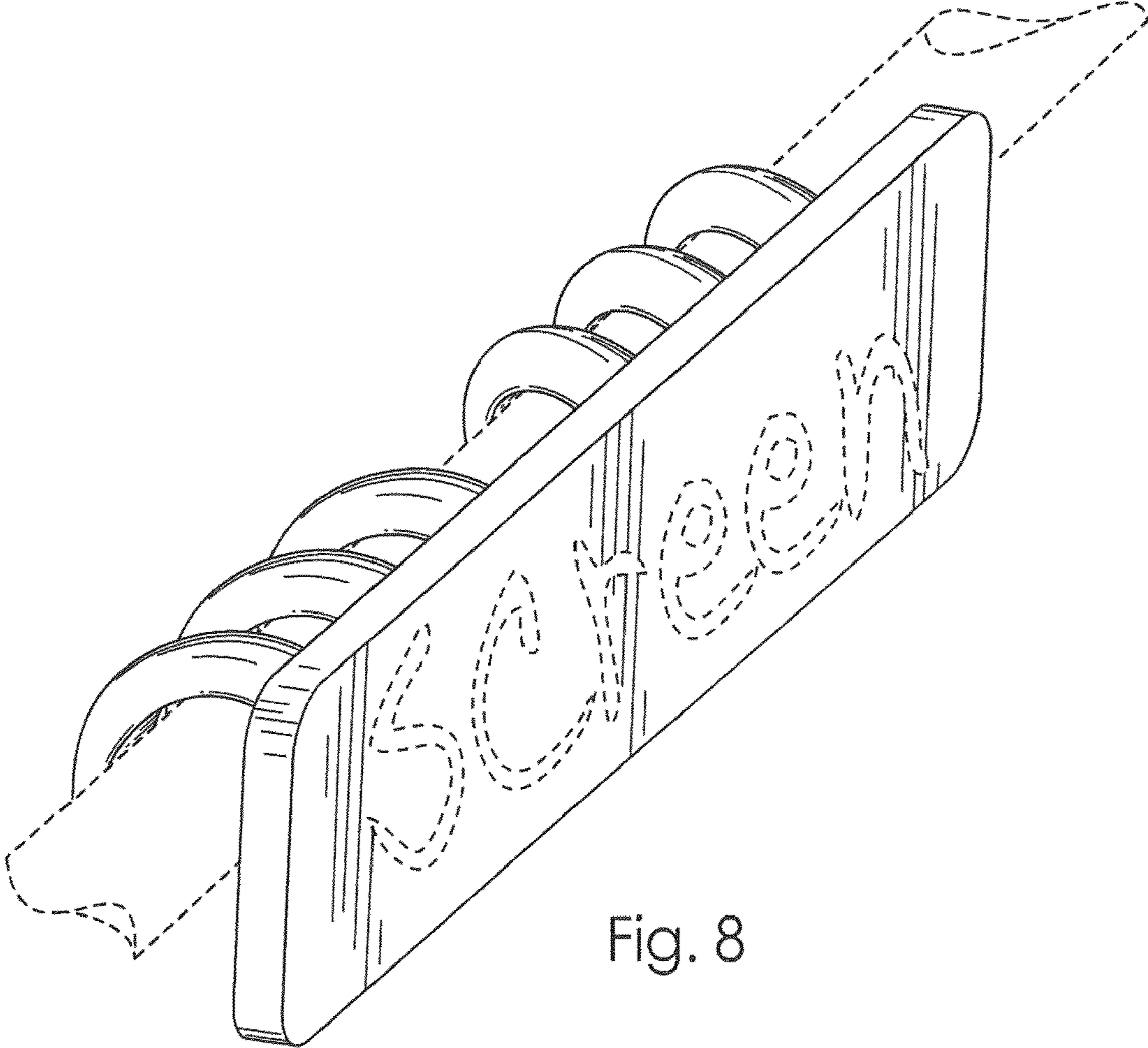


Fig. 8