



US00D656549S

(12) **United States Design Patent**
Packard et al.

(10) **Patent No.:** **US D656,549 S**

(45) **Date of Patent:** **** Mar. 27, 2012**

(54) **TAPE DISPENSER**

(75) Inventors: **Joy A. Packard**, Hudson, WI (US);
Shaelyn D. Crutchley, St. Paul, MN (US)

(73) Assignee: **3M Innovative Properties Company**,
St. Paul, MN (US)

(**) Term: **14 Years**

(21) Appl. No.: **29/403,630**

(22) Filed: **Oct. 7, 2011**

(51) **LOC (9) Cl.** **08-02**

(52) **U.S. Cl.** **D19/69**

(58) **Field of Classification Search** D19/36,
D19/70, 69, 68; D13/133, 146; 242/588.6,
242/588.3, 588.2; 225/77, 6, 56, 69, 26,
225/25, 19, 11; 206/411; 156/577, 527,
156/523

See application file for complete search history.

(56) **References Cited**

U.S. PATENT DOCUMENTS

D185,639	S	*	7/1959	Hofmann-Igl	D19/69
D192,835	S	*	5/1962	Wax	D19/69
D194,819	S	*	3/1963	Lausa	D19/69
D338,493	S	*	8/1993	Mead	D19/69
D380,777	S	*	7/1997	Packard	D19/69
D417,237	S	*	11/1999	Packard et al.	D19/69

D428,922	S	*	8/2000	Packard et al.	D19/69
D433,061	S	*	10/2000	Shen	D19/69
6,386,416	B1	*	5/2002	Dunshee et al.	225/49
D549,287	S	*	8/2007	Pitzen et al.	D19/69
D567,292	S	*	4/2008	Mohoney	D19/69
D592,249	S	*	5/2009	Chang	D19/69
D647,565	S	*	10/2011	Pourian et al.	D19/69

* cited by examiner

Primary Examiner — Austin Murphy

(74) *Attorney, Agent, or Firm* — Lisa P. Fulton

(57) **CLAIM**

The ornamental design for a tape dispenser, as shown and described.

DESCRIPTION

FIG. 1 is a perspective view of a tape dispenser showing the new design;

FIG. 2 is a side view thereof, the opposite side being a mirror image;

FIG. 3 is a top view thereof;

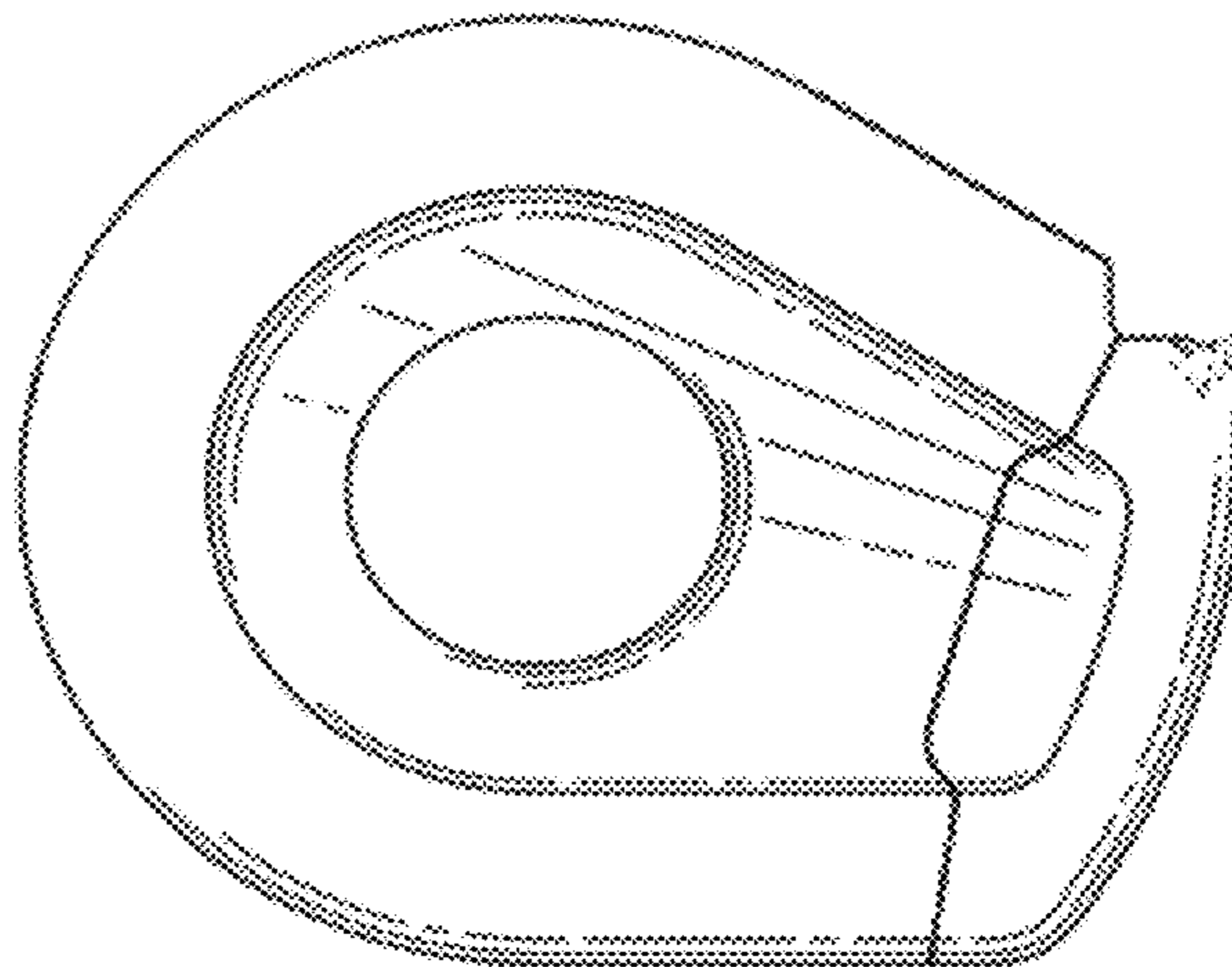
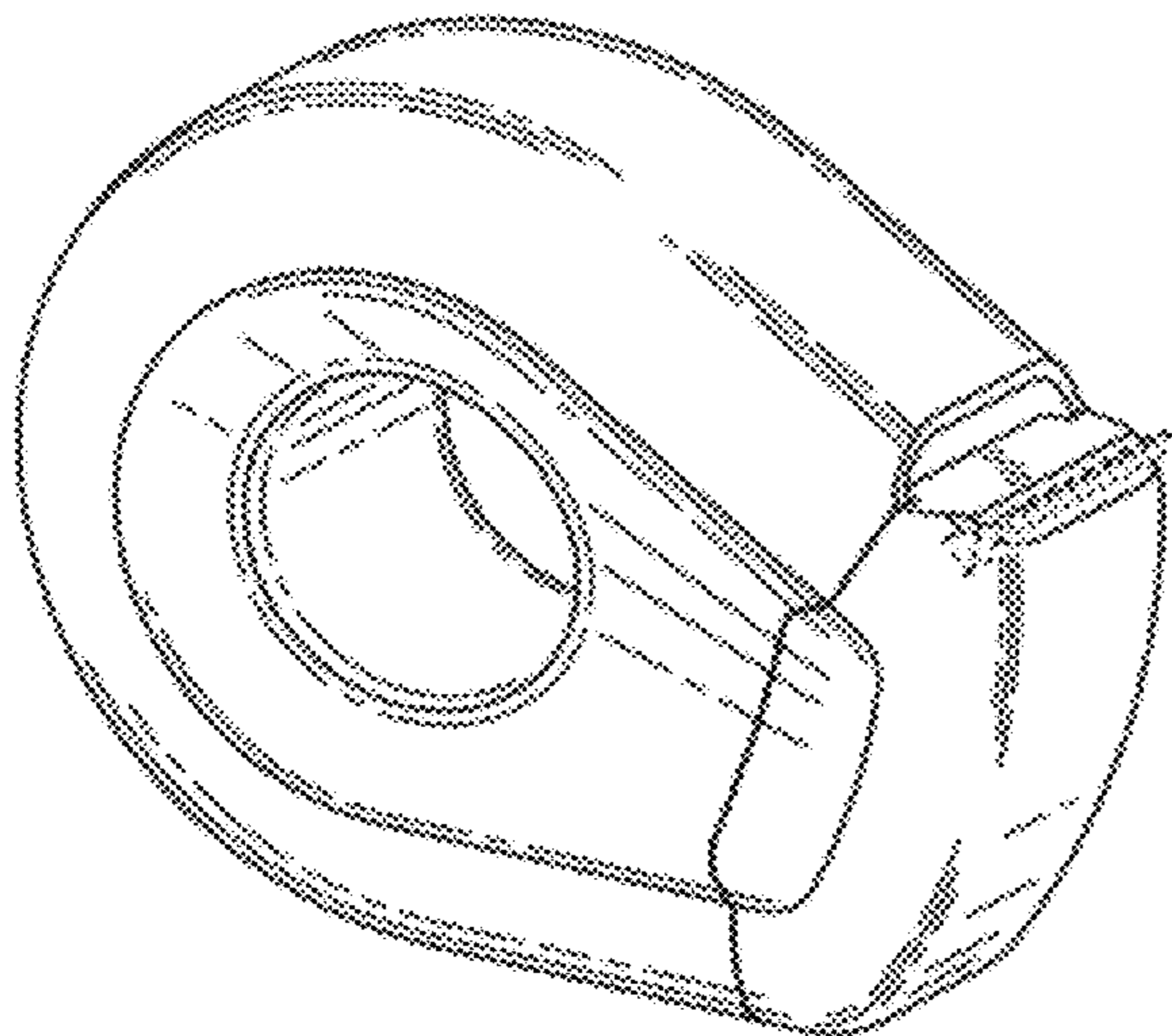
FIG. 4 is a bottom view thereof;

FIG. 5 is a front view thereof; and,

FIG. 6 is a rear view thereof.

The broken line showing of a cutting edge is included for the purpose of illustration only and forms no part of the claimed design.

1 Claim, 2 Drawing Sheets



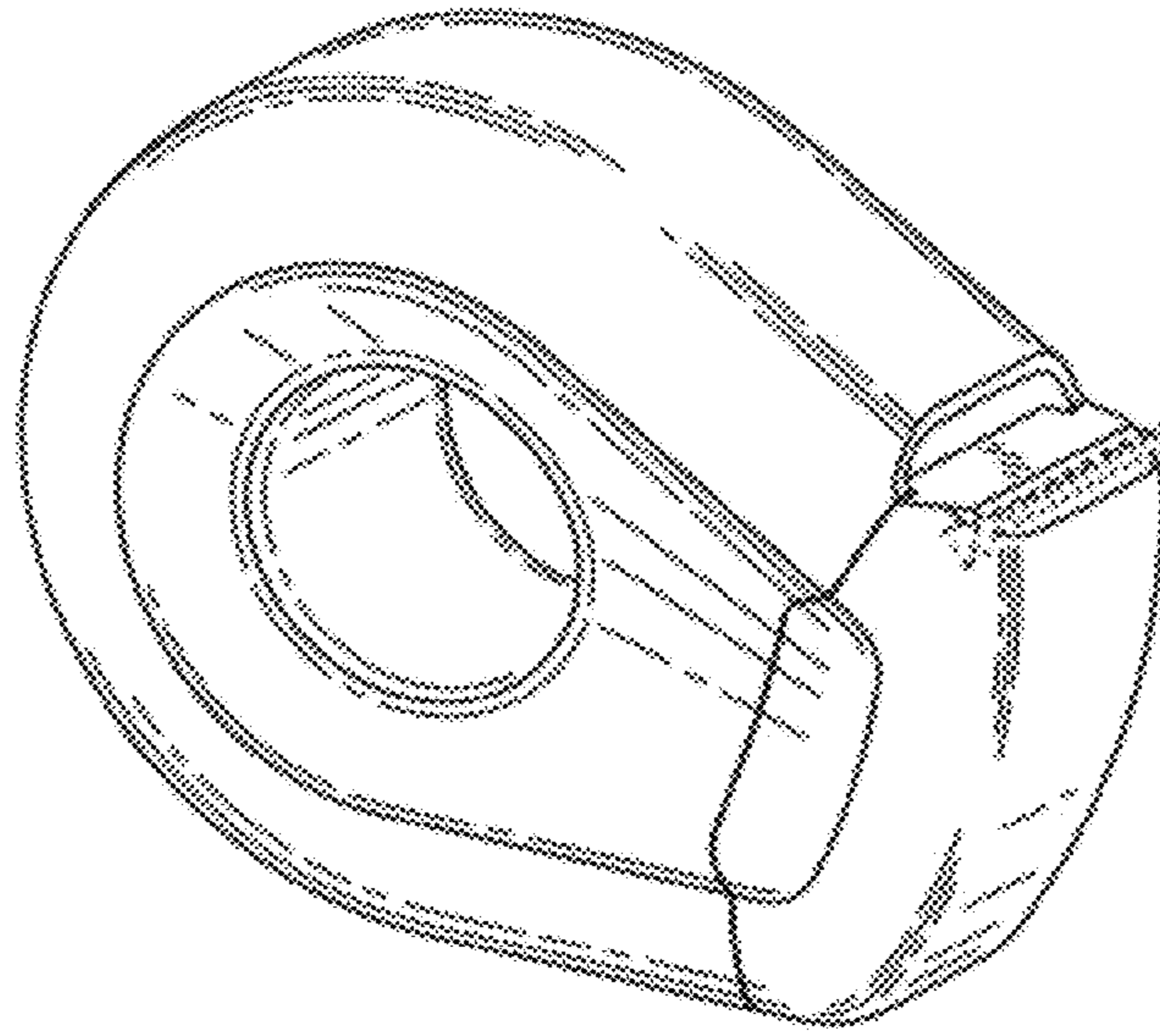


Fig. 1

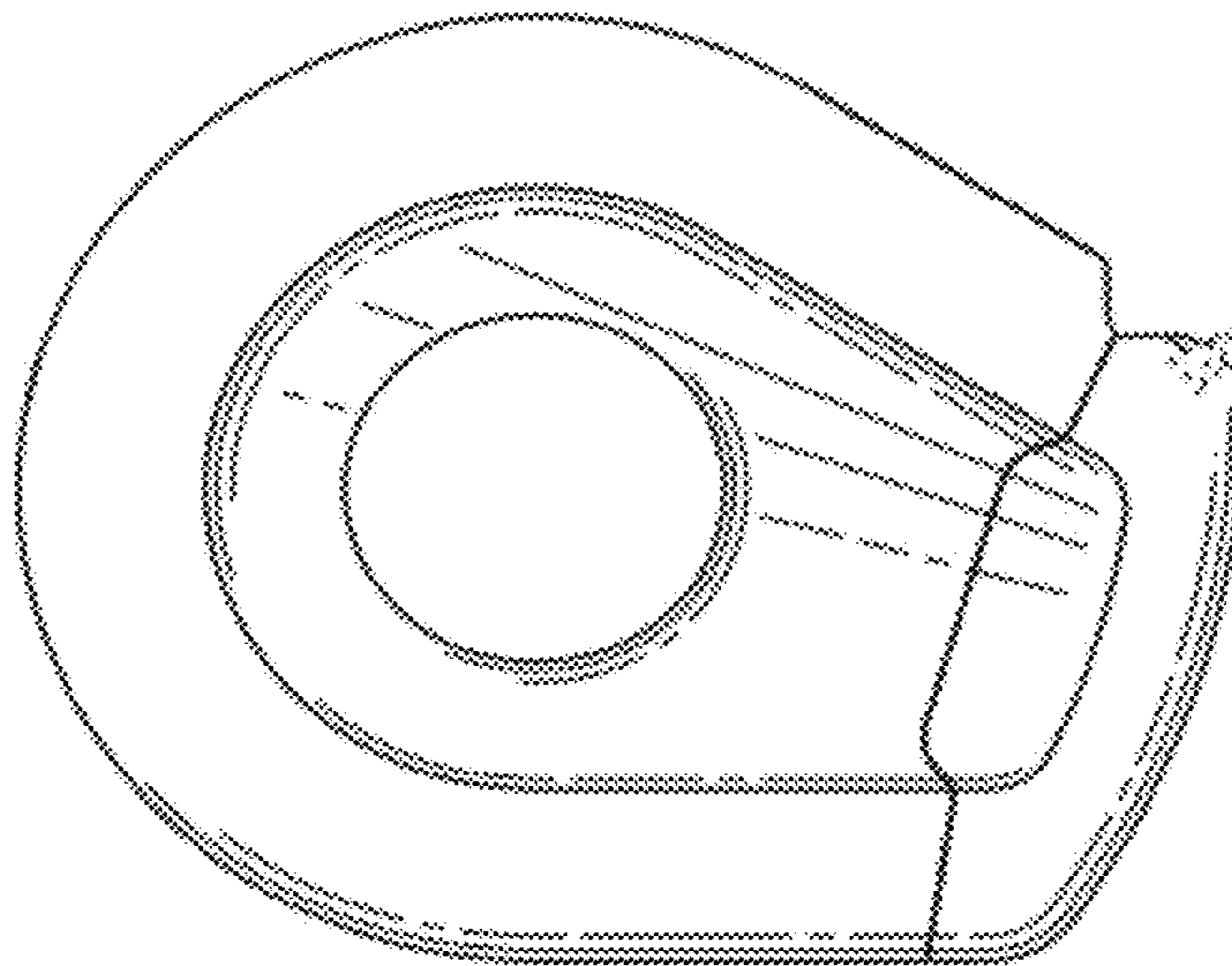


Fig. 2

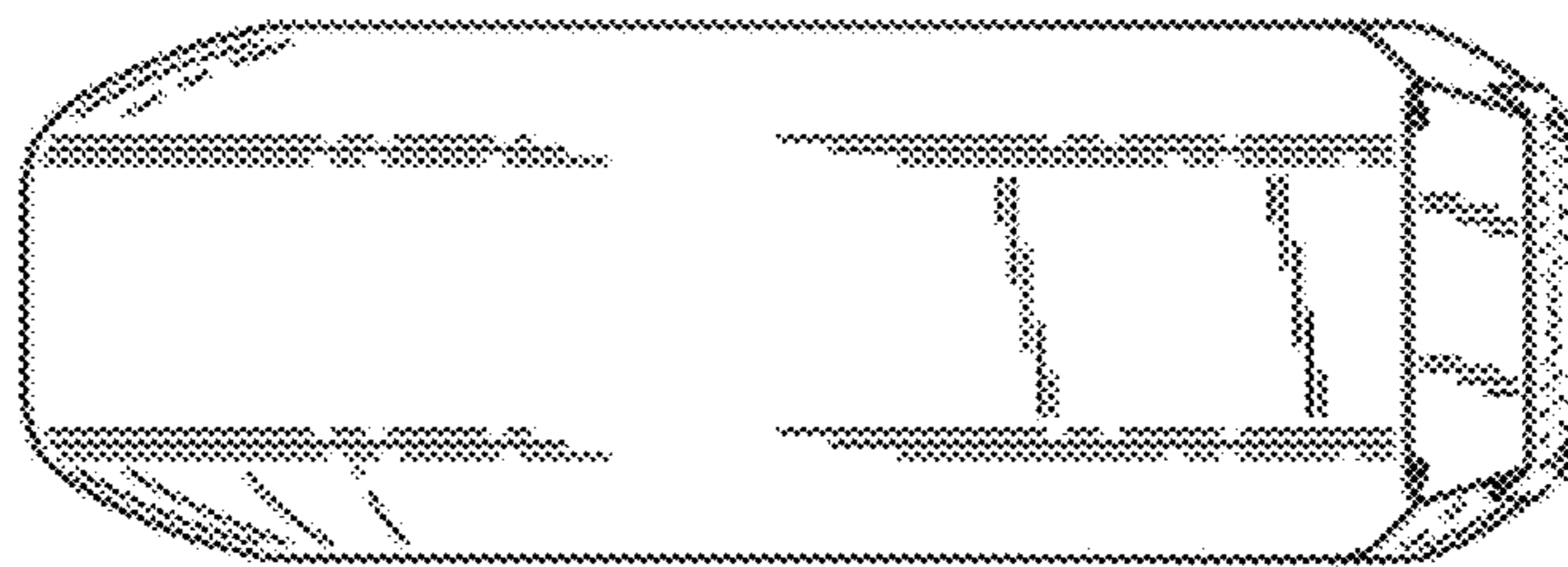


Fig. 3

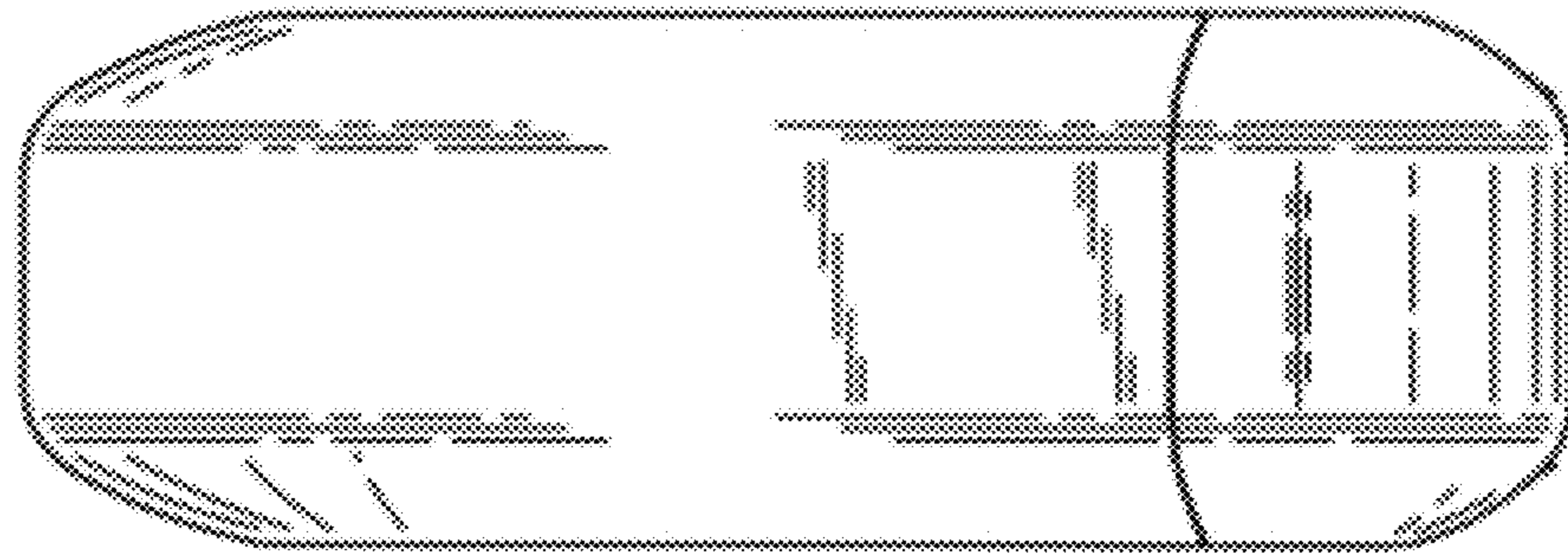


Fig. 4

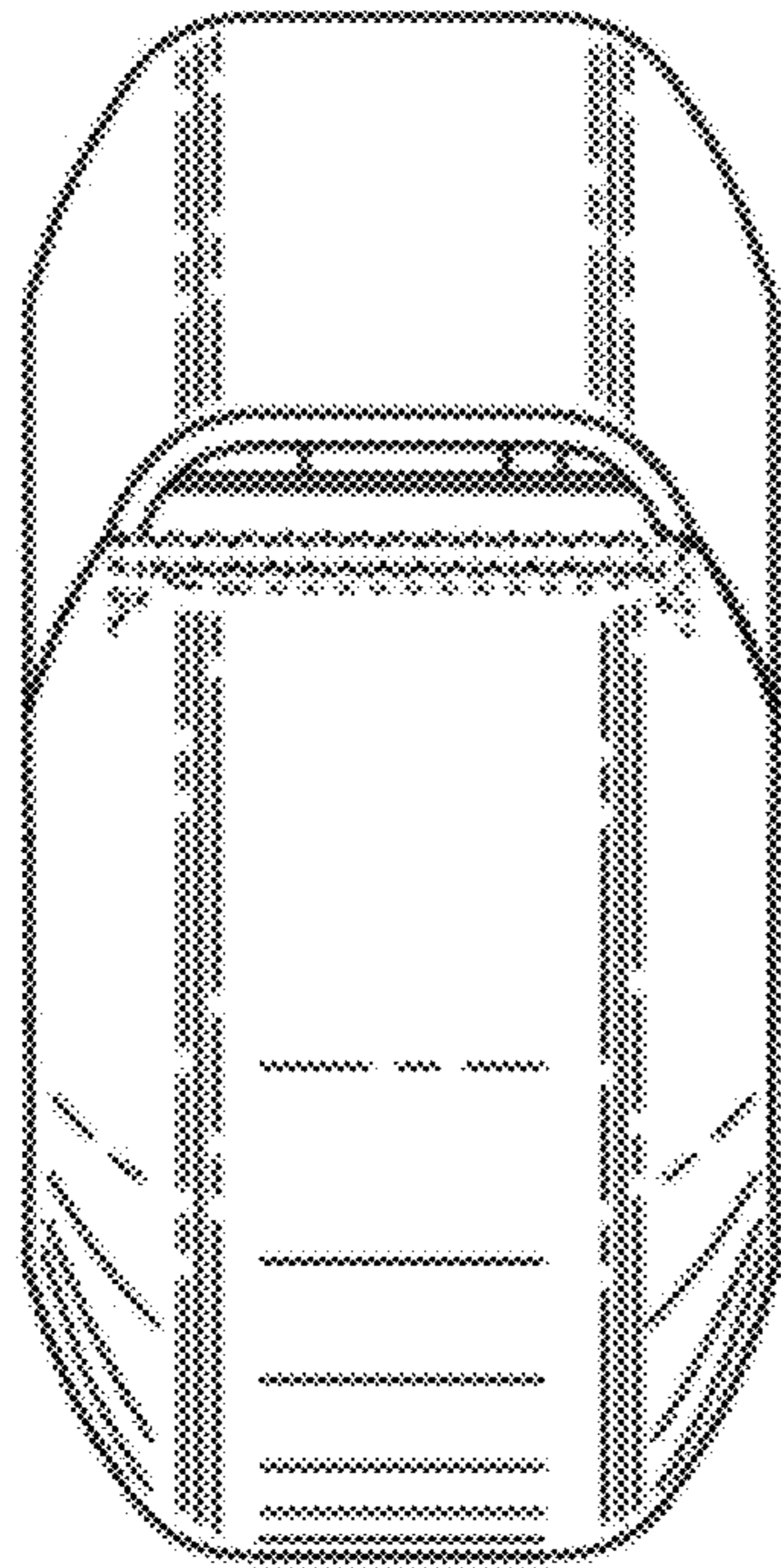


Fig. 5

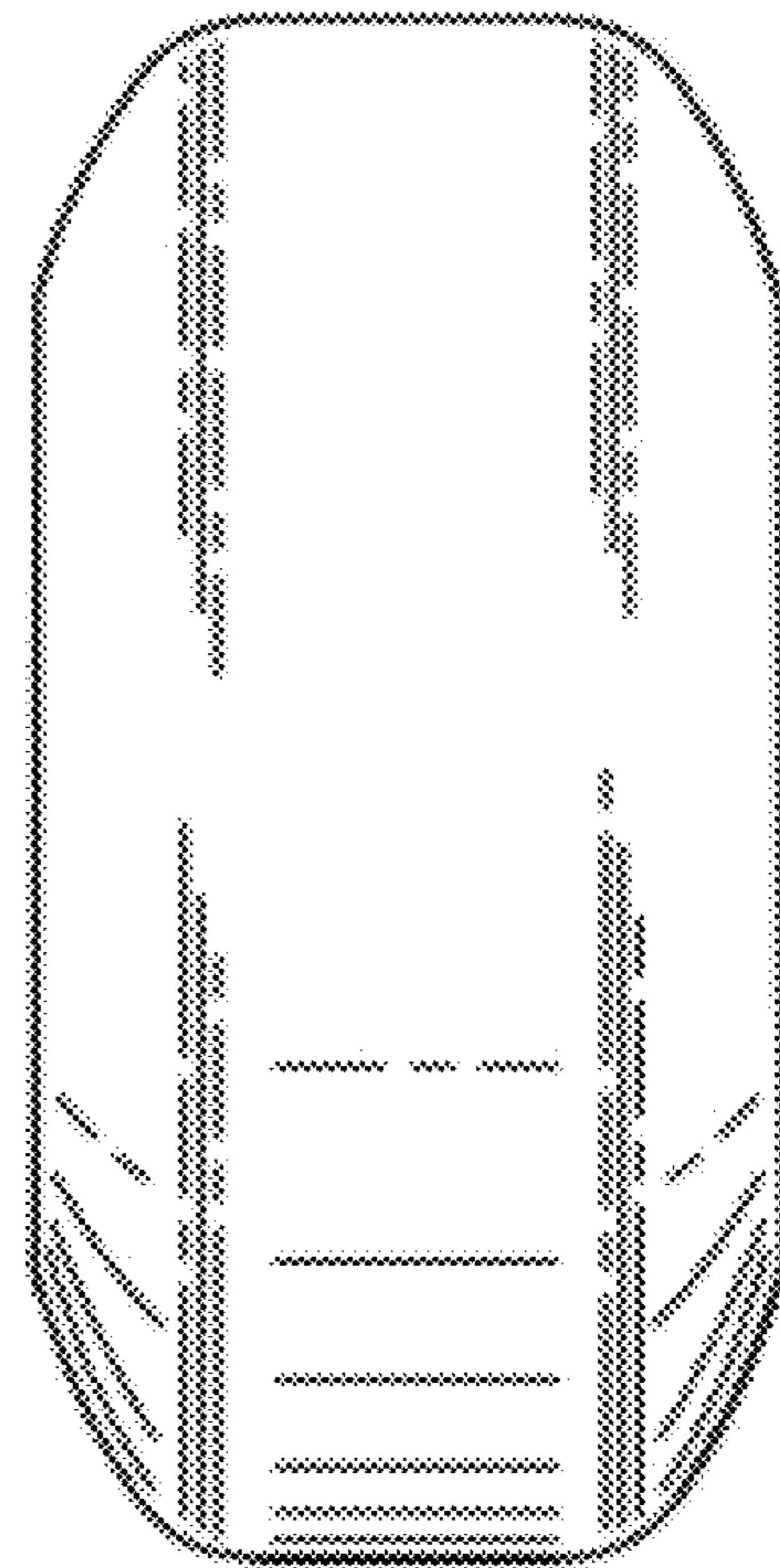


Fig. 6