



US00D656544S

(12) **United States Design Patent**
Bensoussan

(10) **Patent No.:** **US D656,544 S**
(45) **Date of Patent:** **** Mar. 27, 2012**

(54) **BOOKMARK**

(75) Inventor: **Philippe Bensoussan**, Vienne (FR)

(73) Assignee: **BCS Business Consulting Services Pte Ltd**, Faber House (SG)

(**) Term: **14 Years**

(21) Appl. No.: **29/374,836**

(22) Filed: **Oct. 13, 2011**

Related U.S. Application Data

(62) Division of application No. 29/372,485, filed on Nov. 24, 2010, now Pat. No. Des. 648,395.

(51) **LOC (9) Cl.** **19-99**

(52) **U.S. Cl.** **D19/34**

(58) **Field of Classification Search** D11/78.1;
D19/1, 34; 116/234, 235, 236, 237, 238,
116/239, 240; 281/42, 45
See application file for complete search history.

(56) **References Cited**

U.S. PATENT DOCUMENTS

139,936	A *	6/1873	Ward et al.	116/235
1,232,116	A *	7/1917	Stechan	116/236
1,493,072	A *	5/1924	Fricker	24/563
1,958,831	A *	5/1934	Lorenz	116/239
D111,589	S *	10/1938	Rabbin et al.	D19/34
D111,781	S *	10/1938	Brennan	D19/34
2,211,497	A *	8/1940	Fink	116/237
2,282,939	A *	5/1942	Clawson	40/775
D170,467	S *	9/1953	Kremin	D19/34
3,159,137	A *	12/1964	Baldwin	116/237
3,898,951	A *	8/1975	Clare	116/239
4,162,800	A *	7/1979	Gonot et al.	281/42
4,572,546	A *	2/1986	Morrison	281/42
D307,442	S *	4/1990	Cooper	D19/34
4,976,056	A *	12/1990	Roberts	40/638
D358,839	S *	5/1995	Lipic	D19/26

D362,016	S *	9/1995	Faulkingham	D19/34
D374,459	S *	10/1996	Vartanian	D19/34
5,577,459	A *	11/1996	Alden	116/234
5,803,012	A *	9/1998	Kamen	116/235
5,876,145	A *	3/1999	Datum	402/4
6,205,947	B1 *	3/2001	Drew	116/235
6,234,535	B1 *	5/2001	Roberts	281/45
D449,648	S *	10/2001	Andler	D19/34
D466,930	S *	12/2002	Kim	D19/34
D469,121	S *	1/2003	Manzo	D19/34
D495,740	S *	9/2004	Lee	D19/34
7,125,049	B2 *	10/2006	Goldberg et al.	281/42
D534,584	S *	1/2007	Goldberg et al.	D19/34
D552,173	S *	10/2007	Scolaro	D19/34
D579,976	S *	11/2008	Lorenzati	D19/34
D616,494	S *	5/2010	Palacios	D19/34

(Continued)

Primary Examiner — Elizabeth Albert

(74) *Attorney, Agent, or Firm* — TraskBritt, P.C.

(57) **CLAIM**

The ornamental design for a bookmark, as shown and described.

DESCRIPTION

FIG. 1 is a perspective view of a bookmark showing my new design;

FIG. 2 is a top view of my design;

FIG. 3 is a bottom view of my design;

FIG. 4 is a right side view of my design;

FIG. 5 is a left side view of my design;

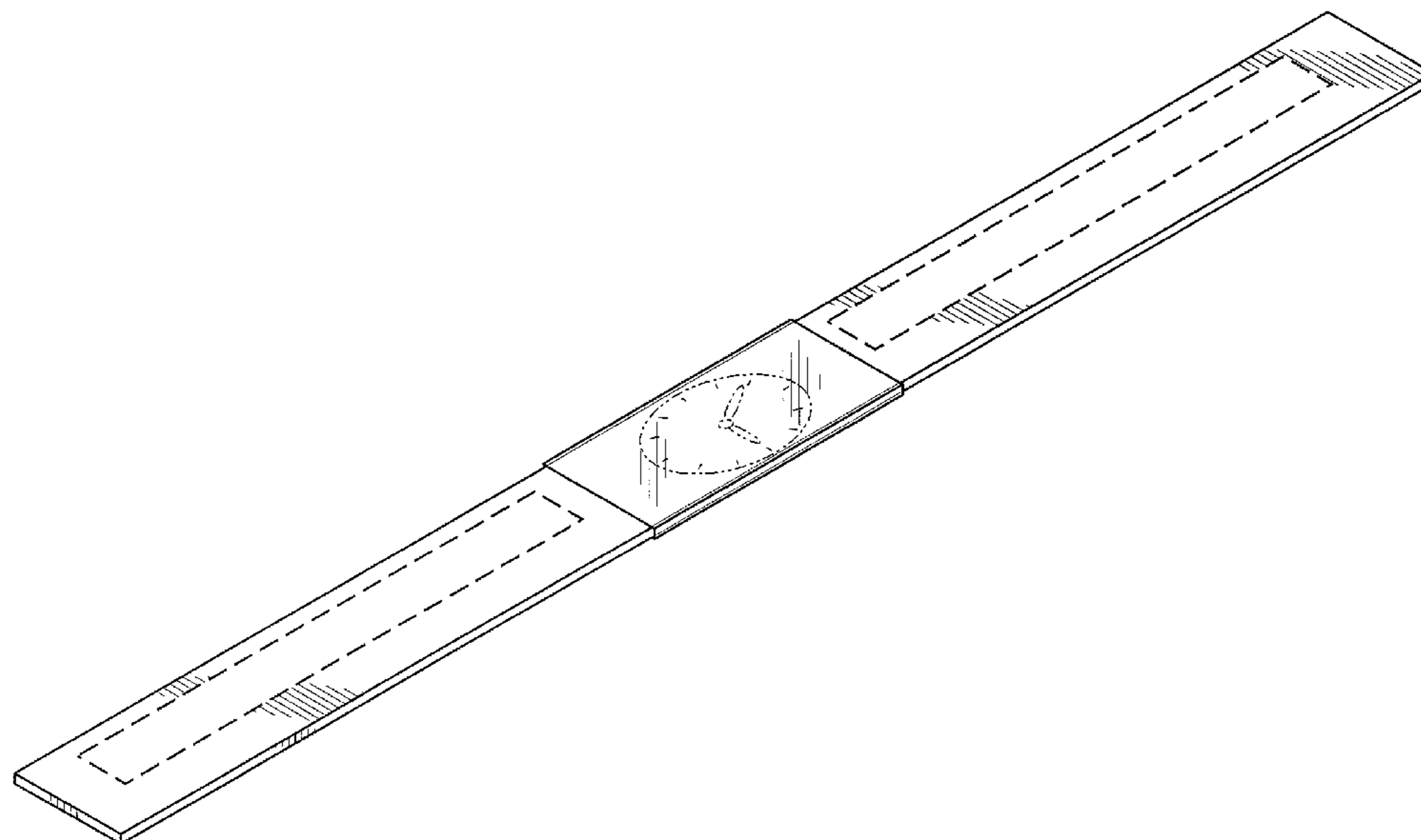
FIG. 6 is a front view of my design; and,

FIG. 7 is a back view of my design.

The broken lines showing a clock face in FIGS. 1 and 2 are included for the purpose of illustrating a feature on the bookmark that forms no part of the claimed design.

The evenly spaced broken lines in FIGS. 1 and 2 which define the bounds of the claimed design form no part thereof.

1 Claim, 2 Drawing Sheets



US D656,544 S

Page 2

U.S. PATENT DOCUMENTS

D624,587 S *	9/2010	Robbins	D19/34	D629,845 S *	12/2010	Robbins	D19/34
D624,588 S *	9/2010	Robbins	D19/34	D632,331 S *	2/2011	Robbins	D19/34
D624,589 S *	9/2010	Robbins	D19/34	D634,363 S *	3/2011	Robbins	D19/34
D624,590 S *	9/2010	Robbins	D19/34	2005/0225074 A1 *	10/2005	Goldberg et al.	281/42
D629,844 S *	12/2010	Robbins	D19/34	2009/0101061 A1 *	4/2009	Almodovar	116/235

* cited by examiner

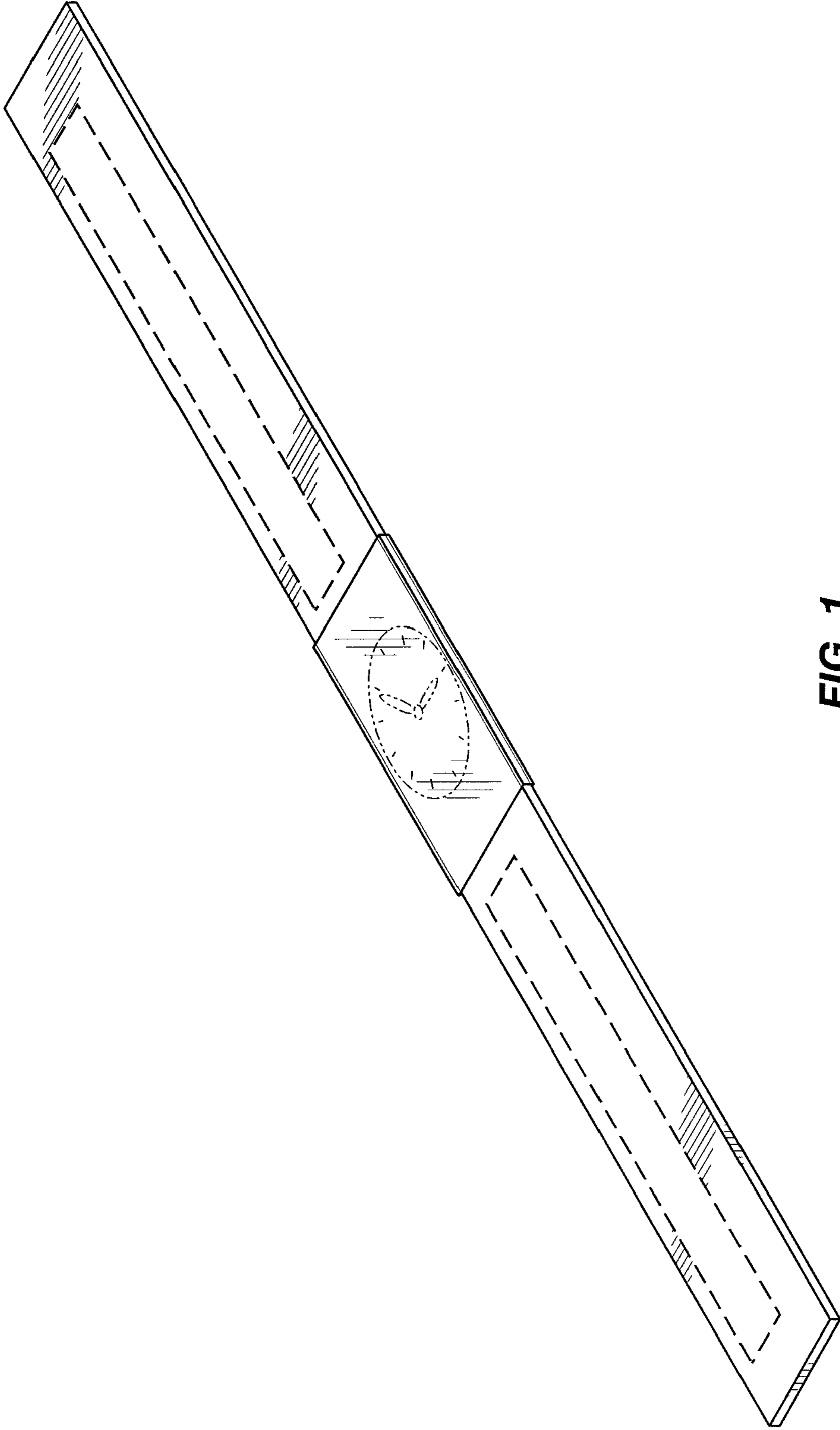


FIG. 1

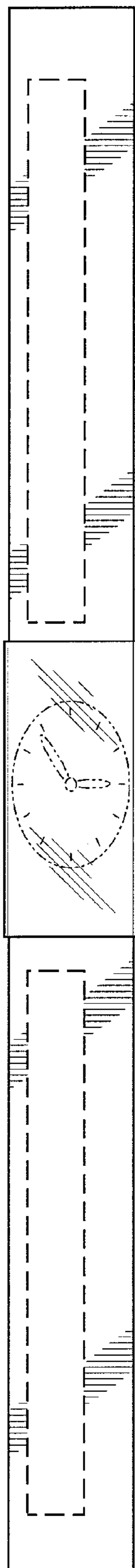


FIG. 2

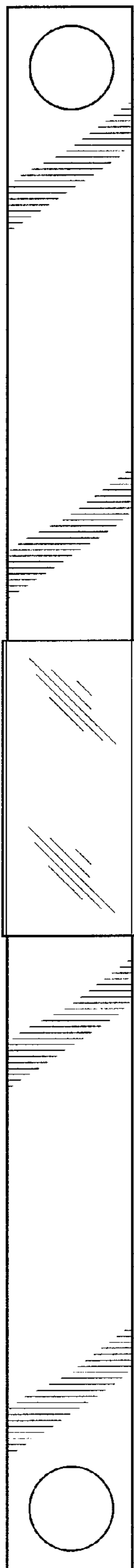


FIG. 3



FIG. 4



FIG. 5



FIG. 6



FIG. 7