



US00D656543S

(12) **United States Design Patent**  
**Upshaw**

(10) **Patent No.:** **US D656,543 S**

(45) **Date of Patent:** **\*\* Mar. 27, 2012**

(54) **JOURNAL**

(76) **Inventor:** **Debra Upshaw, Conyers, GA (US)**

(\*\*) **Term:** **14 Years**

(21) **Appl. No.:** **29/389,507**

(22) **Filed:** **Apr. 12, 2011**

(51) **LOC (9) Cl.** ..... **19-04**

(52) **U.S. Cl.** ..... **D19/26**

(58) **Field of Classification Search** ..... D19/26-33,  
D19/86, 90, 99; 281/27.1-27.3, 29-31, 45,  
281/48; 402/19-20, 26, 31, 36-41, 60, 70,  
402/80 L, 80 P, 80 R; 283/81

See application file for complete search history.

(56) **References Cited**

**U.S. PATENT DOCUMENTS**

D115,067	S *	5/1939	Farkas	.....	D19/27
2,200,146	A *	5/1940	Block	.....	281/30
3,526,415	A *	9/1970	Freundlich	.....	281/27.1
4,907,905	A *	3/1990	Fournier	.....	402/80 R
5,553,959	A *	9/1996	Feldman et al.	.....	402/79
D388,822	S *	1/1998	Frank	.....	D19/26
6,045,285	A *	4/2000	Friedman	.....	402/19
6,203,230	B1 *	3/2001	Whang	.....	402/57
D463,487	S *	9/2002	Savoy	.....	D19/26
6,612,771	B1 *	9/2003	Su	.....	402/57
7,018,125	B2 *	3/2006	Su	.....	402/8
D545,362	S *	6/2007	King et al.	.....	D19/26
D560,718	S *	1/2008	King et al.	.....	D19/20
D569,903	S *	5/2008	Bharma	.....	D19/26
D570,911	S *	6/2008	Bharma	.....	D19/26
D573,638	S *	7/2008	Takaghi	.....	D19/26

D586,852	S *	2/2009	Porcano et al.	.....	D19/27
D587,309	S *	2/2009	Lux	.....	D19/26
D601,187	S *	9/2009	Davis et al.	.....	D19/26
D617,831	S *	6/2010	Scroggins	.....	D19/27
D617,832	S *	6/2010	Scroggins	.....	D19/27
2003/0210949	A1 *	11/2003	Tims	.....	402/73
2004/0136774	A1 *	7/2004	O'Boyle	.....	402/73
2005/0095057	A1 *	5/2005	O'Hara	.....	402/57
2005/0100395	A1 *	5/2005	Brann	.....	402/73

\* cited by examiner

*Primary Examiner* — T. Chase Nelson

*Assistant Examiner* — Kathleen M Sims

(74) *Attorney, Agent, or Firm* — QuickPatents, Inc.; Kevin Prince

(57) **CLAIM**

The ornamental design for a journal, as shown and described.

**DESCRIPTION**

FIG. 1 is a perspective view of a journal, showing the new design in a closed configuration;

FIG. 2 is a perspective view thereof, illustrated in an open configuration;

FIG. 3 is a front elevational view of FIG. 1;

FIG. 4 is a top plan view of FIG. 1;

FIG. 5 is a bottom plan view of FIG. 1;

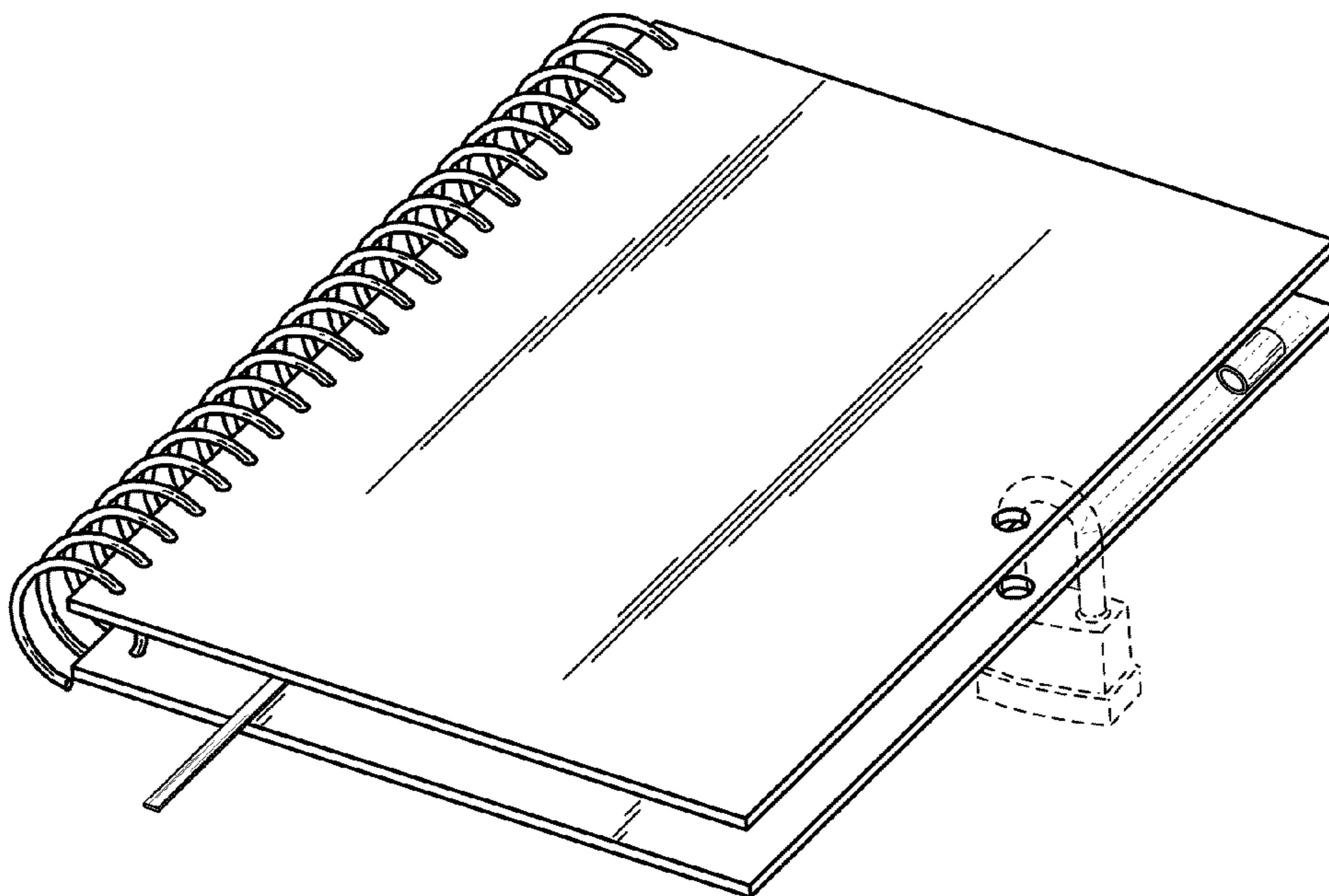
FIG. 6 is a rear elevational view of FIG. 1;

FIG. 7 is a left-side elevational view of FIG. 1; and,

FIG. 8 is a right-side elevational view of FIG. 1.

The broken lines showing a lock and pen in FIG. 1 depict environmental matter while the design is in use, and form no part of the claimed design.

**1 Claim, 3 Drawing Sheets**



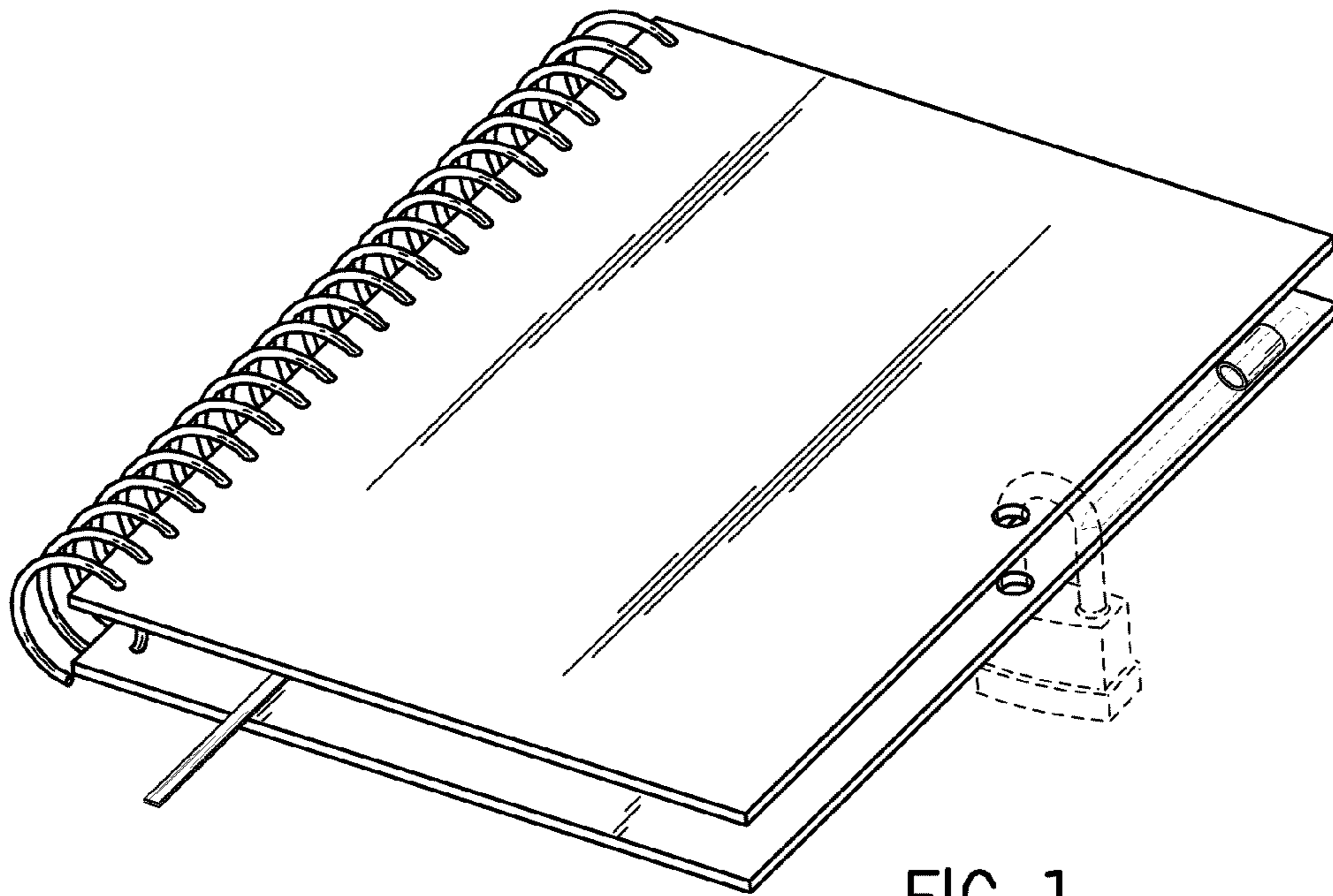


FIG. 1

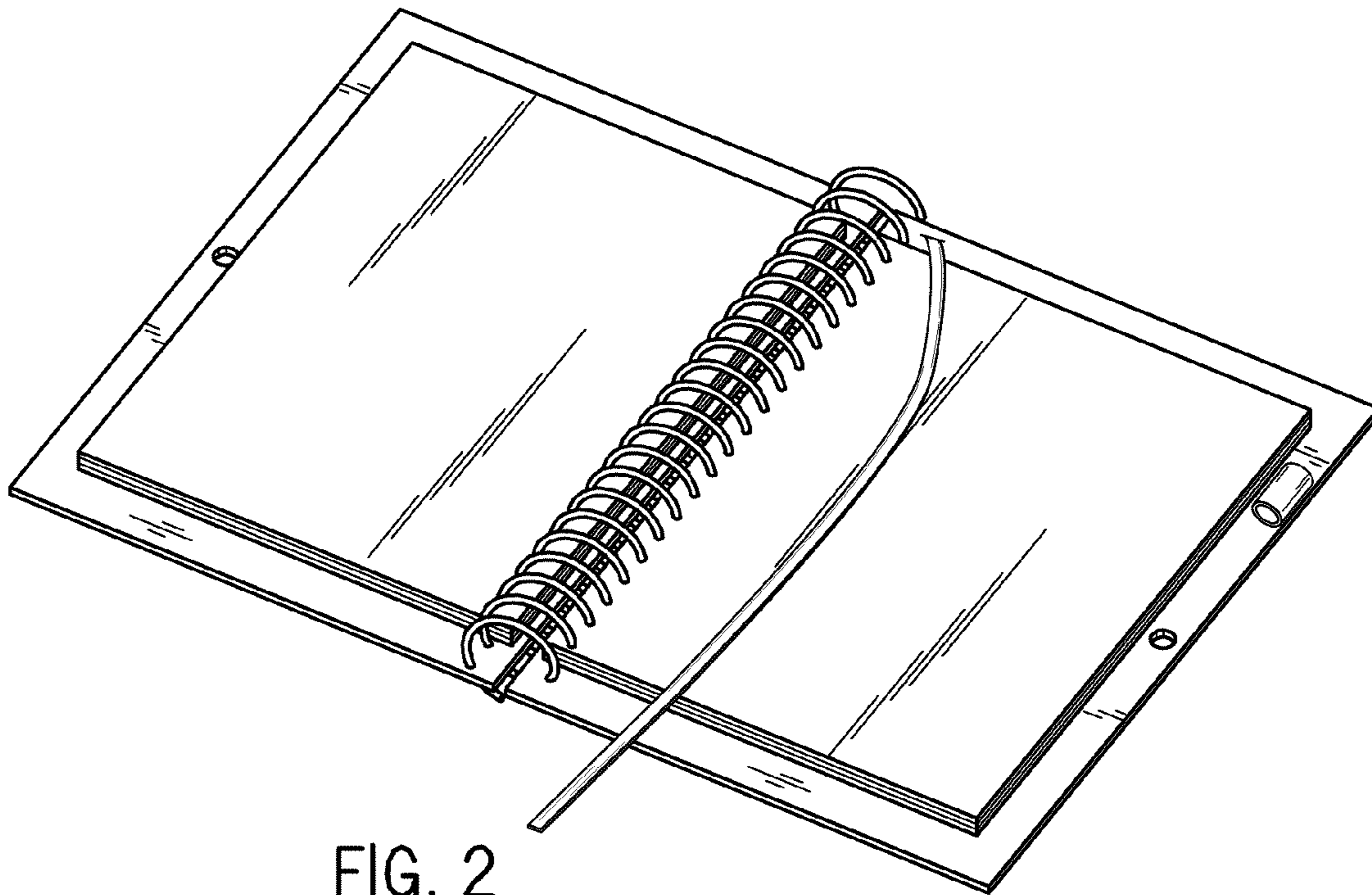


FIG. 2

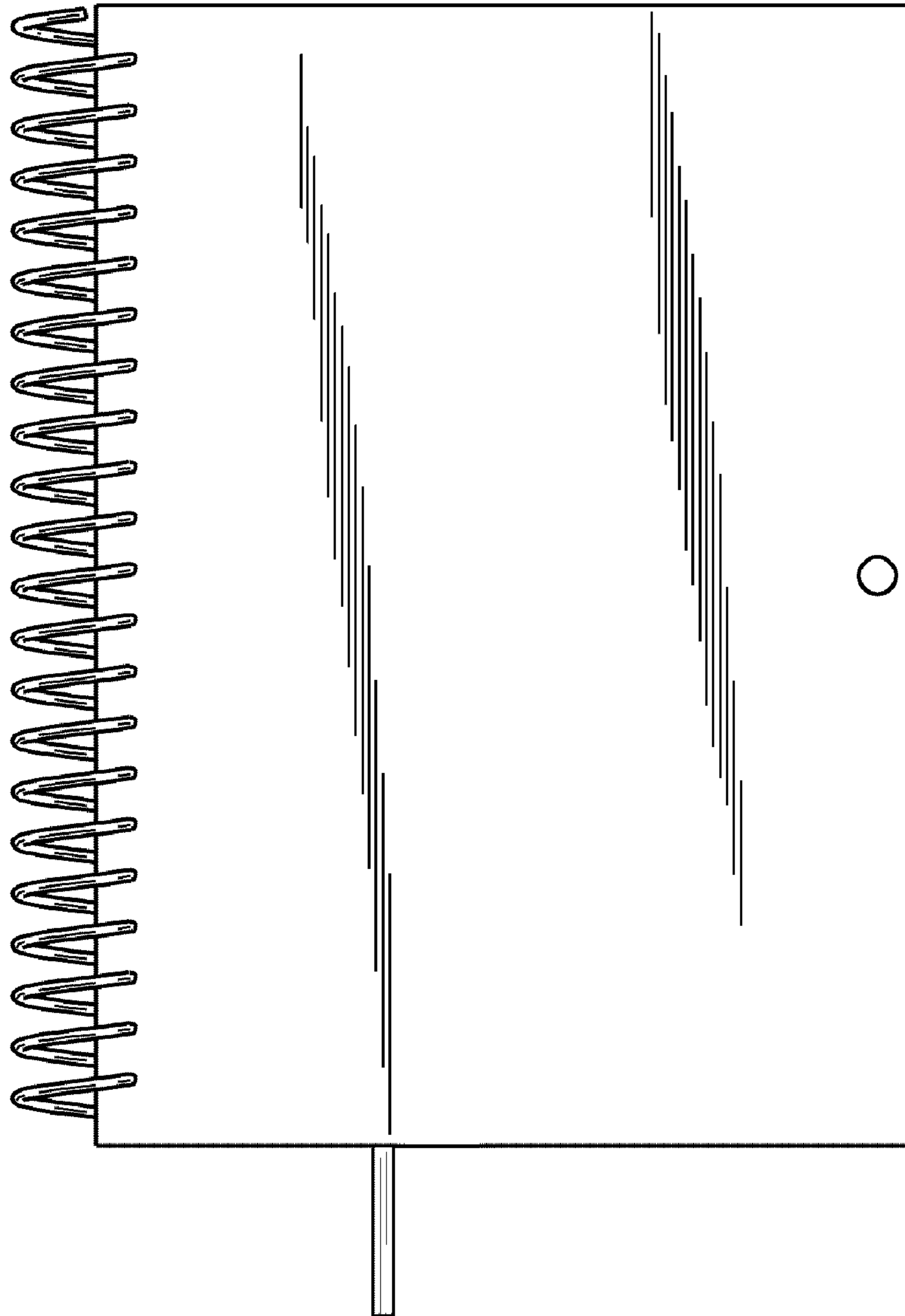


FIG. 3

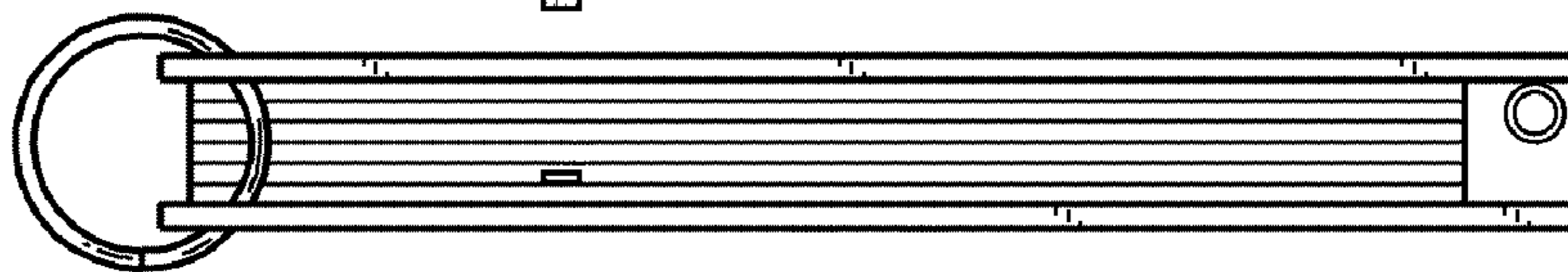


FIG. 4

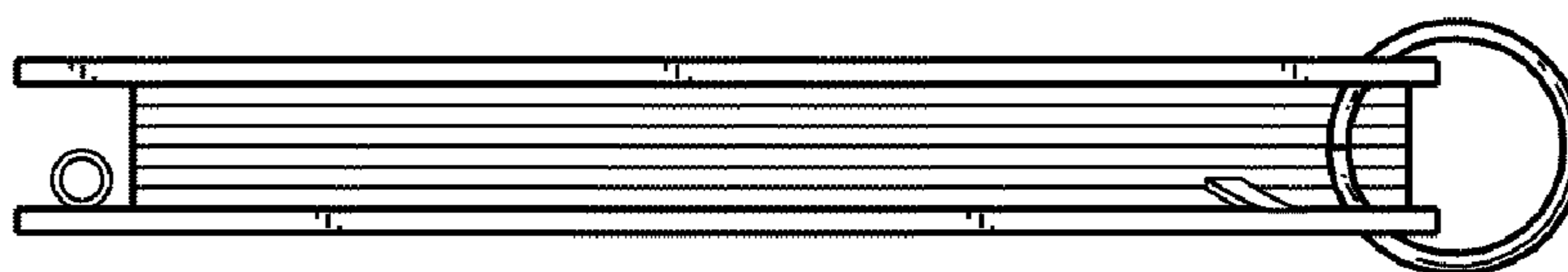


FIG. 5



FIG. 6

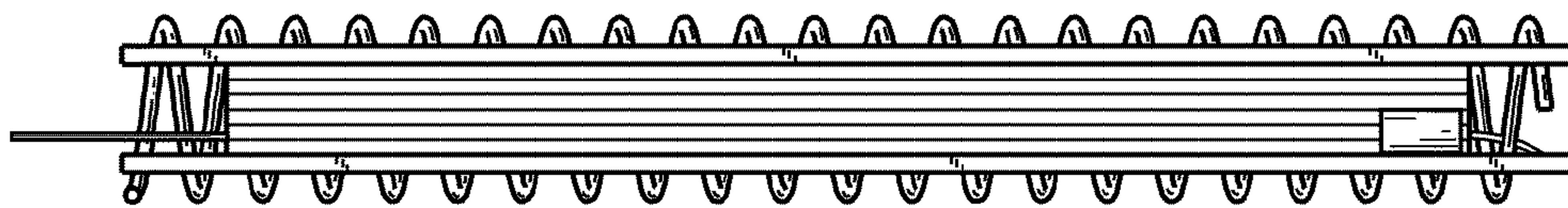
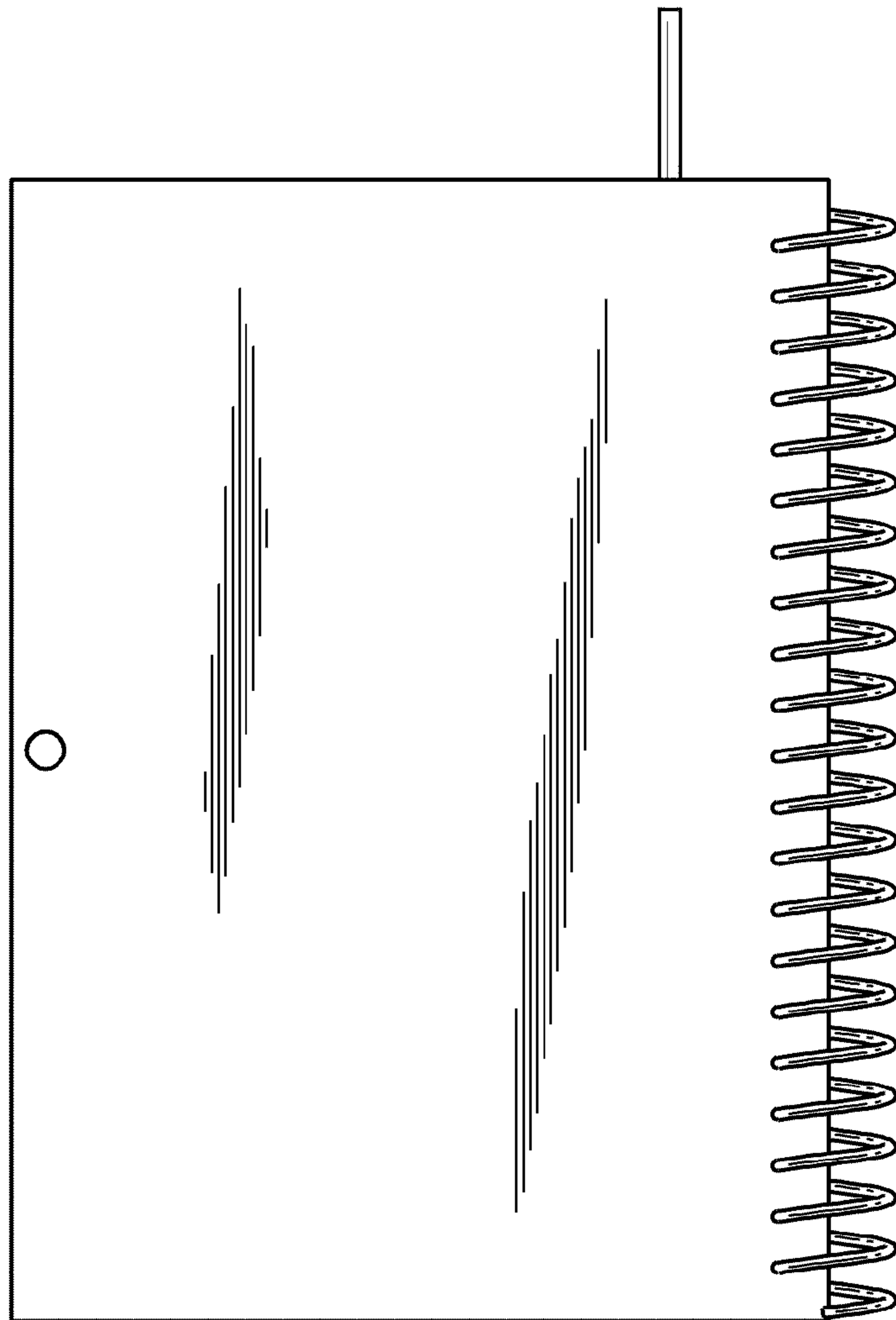


FIG. 7

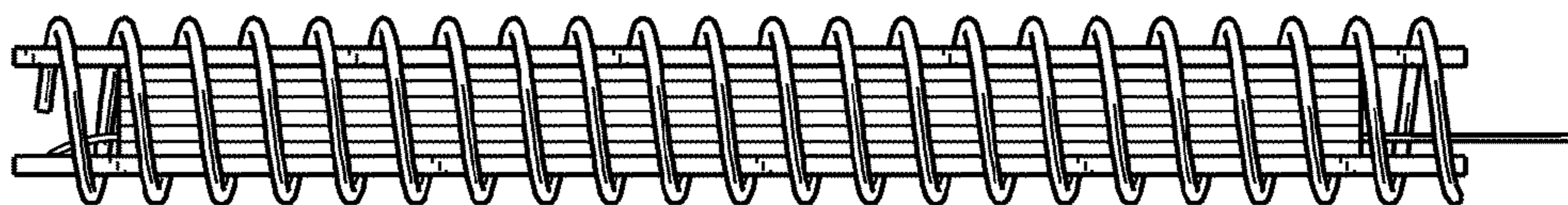


FIG. 8