



US00D656541S

(12) **United States Design Patent**  
**Ko**

(10) **Patent No.:** **US D656,541 S**  
(45) **Date of Patent:** **\*\* Mar. 27, 2012**

(54) **LABEL PRINTER CARTRIDGE**

(75) Inventor: **King Sam Ko**, Hong Kong (CN)

(73) Assignee: **SK2 Technology Limited**, Tsuen Wan, N.T. (HK)

(\*\*) Term: **14 Years**

(21) Appl. No.: **29/387,660**

(22) Filed: **Mar. 16, 2011**

(51) **LOC (9) Cl.** ..... **18-02**

(52) **U.S. Cl.** ..... **D18/56**

(58) **Field of Classification Search** ..... D18/12,  
D18/43, 56; 400/194–196, 207–208, 234,  
400/235.1, 247; 360/132

See application file for complete search history.

6,042,280 A	3/2000	Yamaguchi et al.	
6,116,796 A	9/2000	Yamaguchi et al.	
6,132,120 A	10/2000	Yamaguchi et al.	
D435,589 S *	12/2000	Huss	D18/56
6,190,069 B1	2/2001	Yamaguchi et al.	
6,196,740 B1	3/2001	Yamaguchi et al.	
6,334,724 B2	1/2002	Yamaguchi et al.	
6,709,179 B2	3/2004	Yamaguchi et al.	
D647,127 S *	10/2011	Mita et al.	D18/12
2010/0247206 A1 *	9/2010	Yamaguchi et al.	400/207

\* cited by examiner

*Primary Examiner* — Cathy A MacCormac

(74) *Attorney, Agent, or Firm* — Weingarten, Schurgin, Gagnebin & Lebovici LLP

(57) **CLAIM**

The ornamental design for a label printer cartridge, as shown.

(56) **References Cited**

U.S. PATENT DOCUMENTS

4,927,278 A	5/1990	Kuzuya et al.	
5,350,243 A	9/1994	Ichinomiya et al.	
D358,165 S *	5/1995	Ehara	D18/56
5,418,552 A *	5/1995	Maruyama	400/207
5,419,648 A *	5/1995	Nagao et al.	400/208
5,476,330 A *	12/1995	Inoue et al.	400/208
D372,269 S *	7/1996	Miyazaki et al.	D18/56
5,653,542 A	8/1997	Sugimoto et al.	
5,771,803 A	6/1998	Takami	
5,964,539 A	10/1999	Yamaguchi et al.	

**DESCRIPTION**

FIG. 1 is a perspective view of a label printer cartridge in accordance with the design;

FIG. 2 is a reduced top plan view thereof;

FIG. 3 is a reduced bottom plan view thereof;

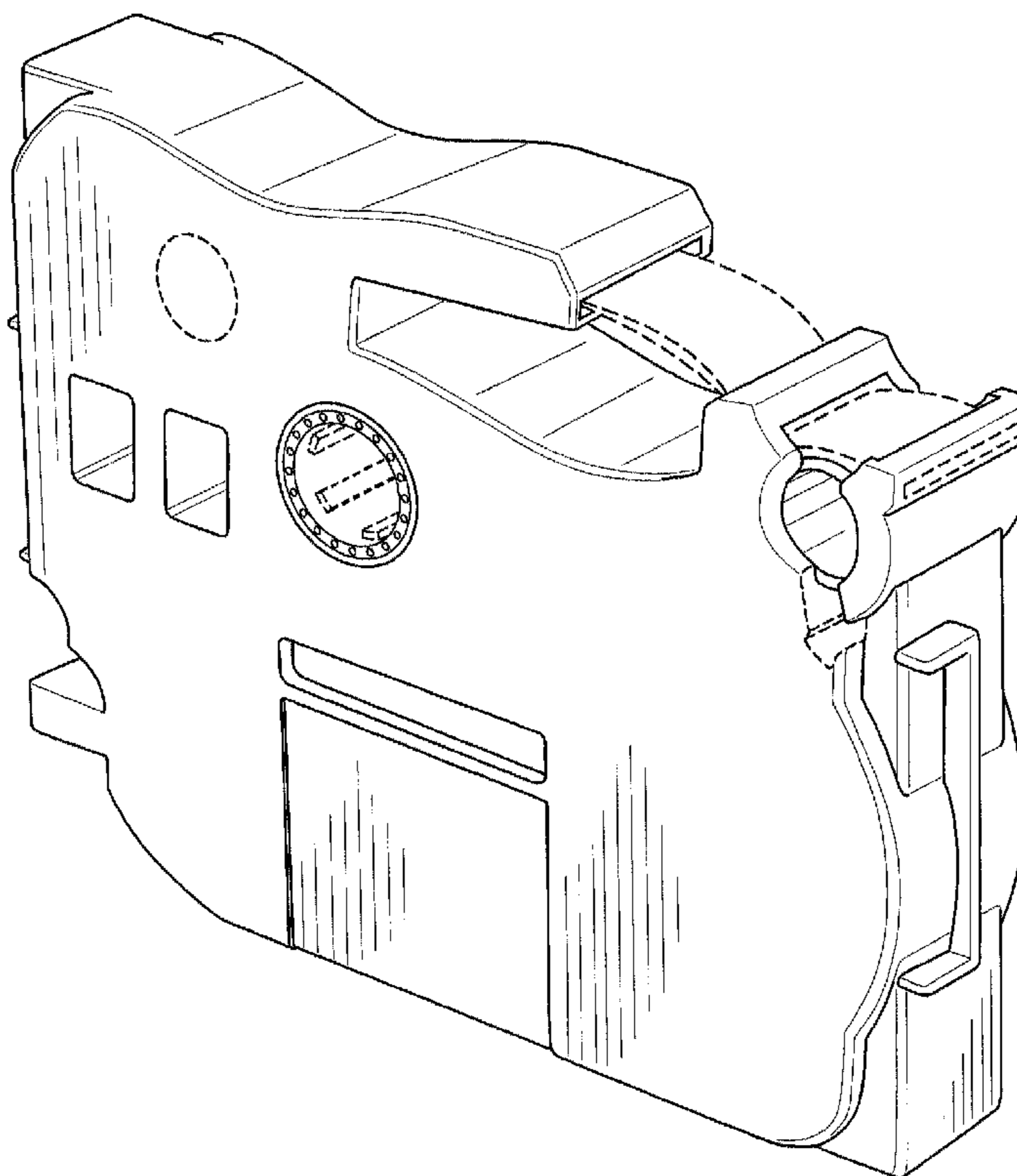
FIG. 4 is a reduced front view thereof;

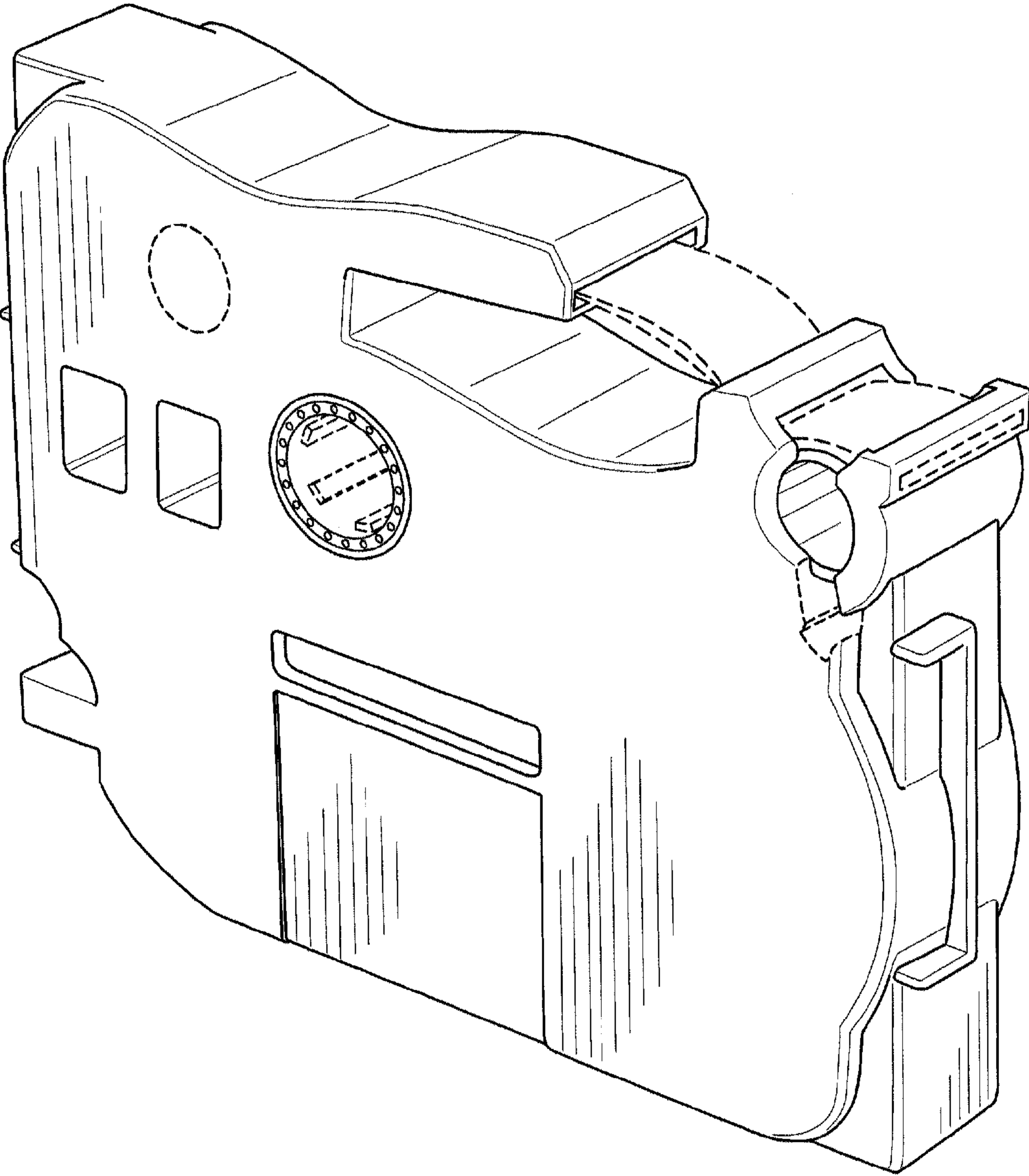
FIG. 5 is a reduced right side view thereof;

FIG. 6 is a reduced left side view thereof; and,

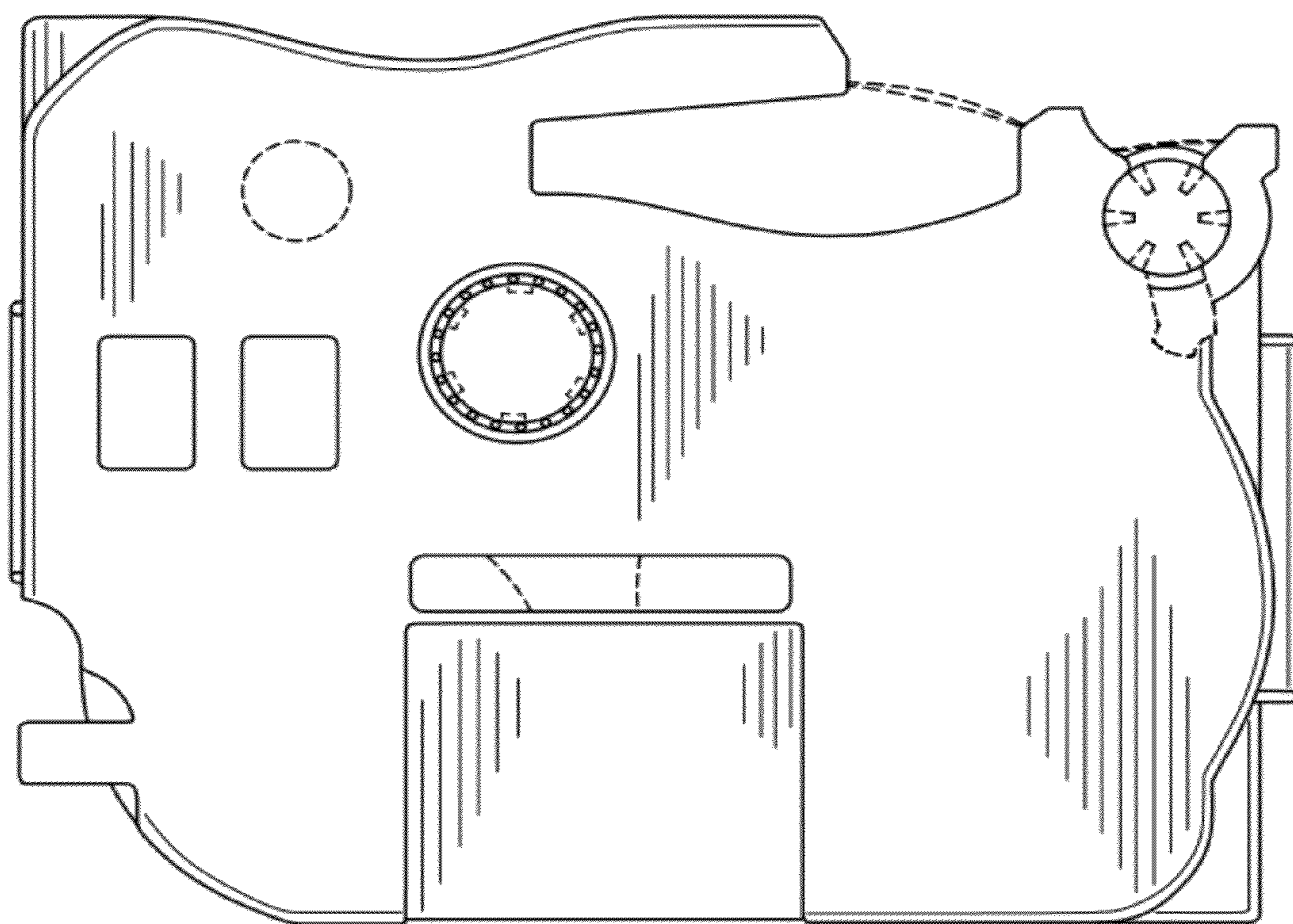
FIG. 7 is a reduced rear view thereof.

**1 Claim, 4 Drawing Sheets**

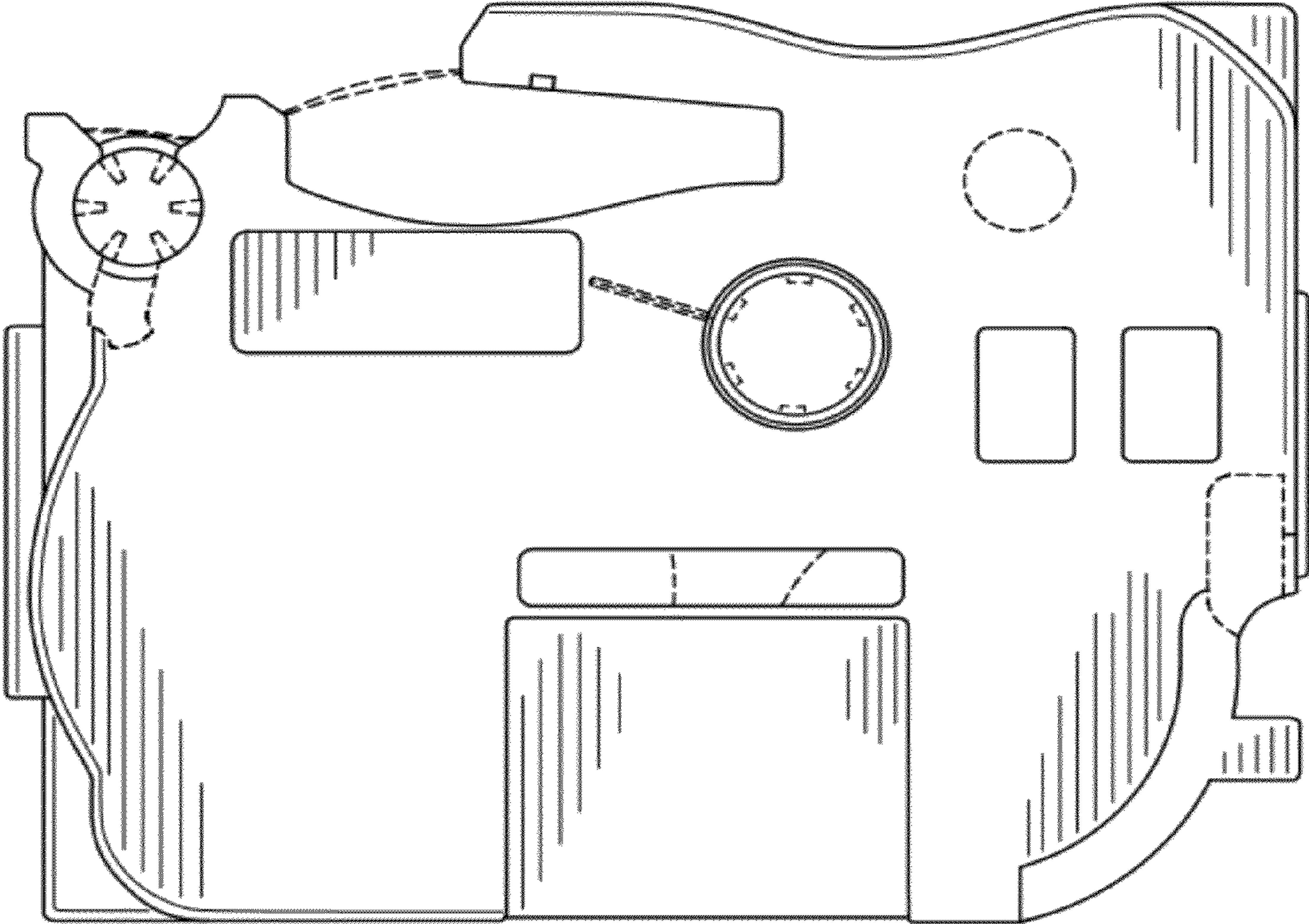




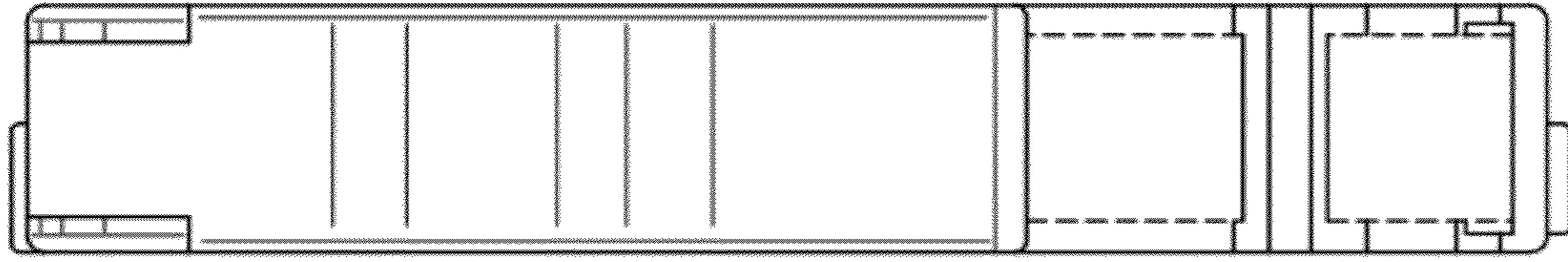
**FIG. 1**



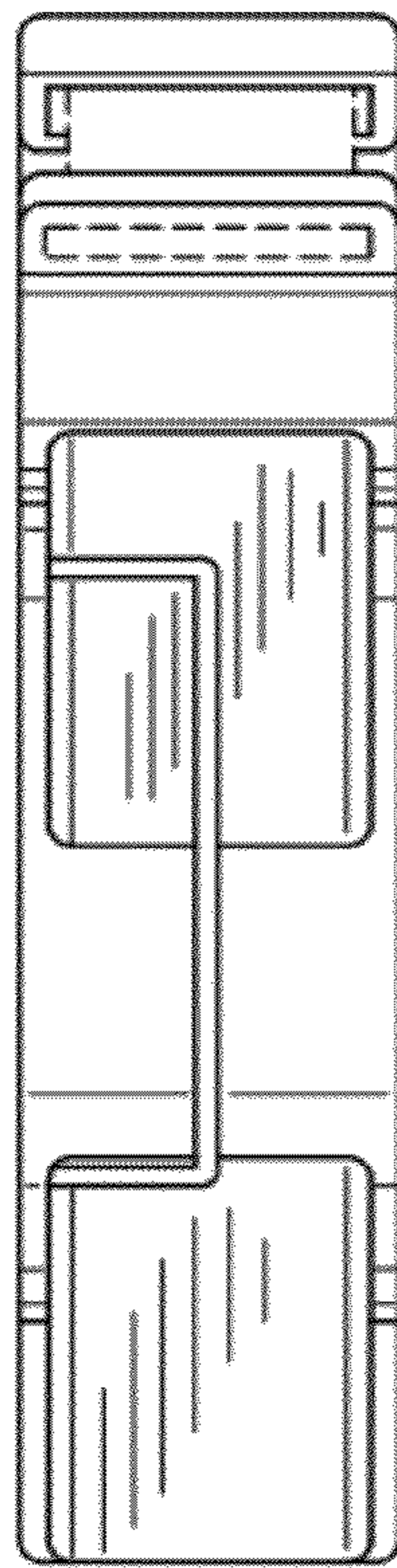
**FIG. 2**



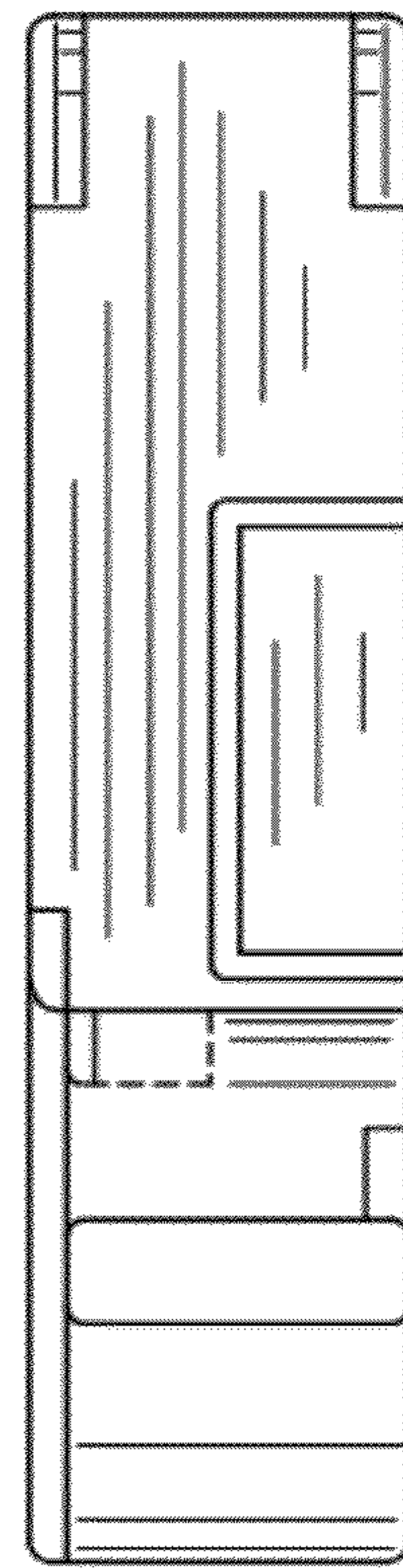
**FIG. 3**



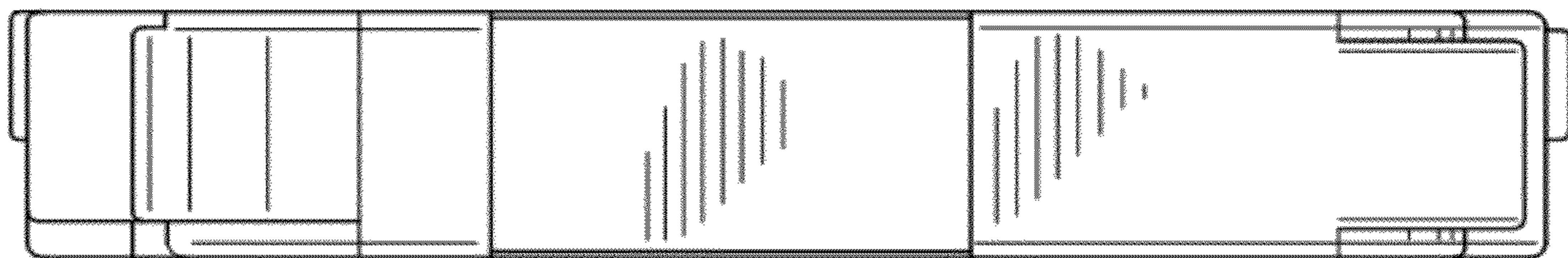
**FIG. 4**



**FIG. 5**



**FIG. 6**



**FIG. 7**