



US00D656540S

(12) **United States Design Patent**
Oya et al.

(10) **Patent No.:** **US D656,540 S**
(45) **Date of Patent:** **** Mar. 27, 2012**

(54) **INK CARTRIDGE**

(75) Inventors: **Shun Oya**, Matsumoto (JP); **Yoshihiro Koizumi**, Shiojiri (JP)

(73) Assignee: **Seiko Epson Corporation**, Tokyo (JP)

(**) Term: **14 Years**

(21) Appl. No.: **29/387,066**

(22) Filed: **Mar. 9, 2011**

(30) **Foreign Application Priority Data**

Jan. 12, 2011 (JP) 2011-000459

(51) **LOC (9) Cl.** **18-02**

(52) **U.S. Cl.** **D18/56**

(58) **Field of Classification Search** D18/56;
347/86-87

See application file for complete search history.

(56) **References Cited**

U.S. PATENT DOCUMENTS

D579,491 S	*	10/2008	Matsumoto	D18/56
D584,768 S		1/2009	Ishizawa		
D585,090 S		1/2009	Ishizawa		
D585,488 S		1/2009	Nozawa et al.		
D587,307 S	*	2/2009	Iwamuro	D18/56
D591,340 S		4/2009	Nozawa et al.		
D591,792 S		5/2009	Nozawa et al.		
D592,241 S		5/2009	Nozawa et al.		
7,950,789 B2	*	5/2011	Matsumoto et al.	347/86

7,954,935 B2	*	6/2011	Kimura et al.	347/86
2005/0036015 A1	*	2/2005	Seino et al.	347/86
2005/0052511 A1	*	3/2005	Seino et al.	347/86

* cited by examiner

Primary Examiner — Cathy A MacCormac

(57) **CLAIM**

The ornamental design for an ink cartridge, as shown and described.

DESCRIPTION

FIG. 1 is a front, top and left side perspective view of an ink cartridge showing our new design;

FIG. 2 is a rear, bottom and right side perspective view thereof;

FIG. 3 is a front view thereof;

FIG. 4 is a rear view thereof;

FIG. 5 is a left side elevational view thereof;

FIG. 6 is a right side elevational view thereof;

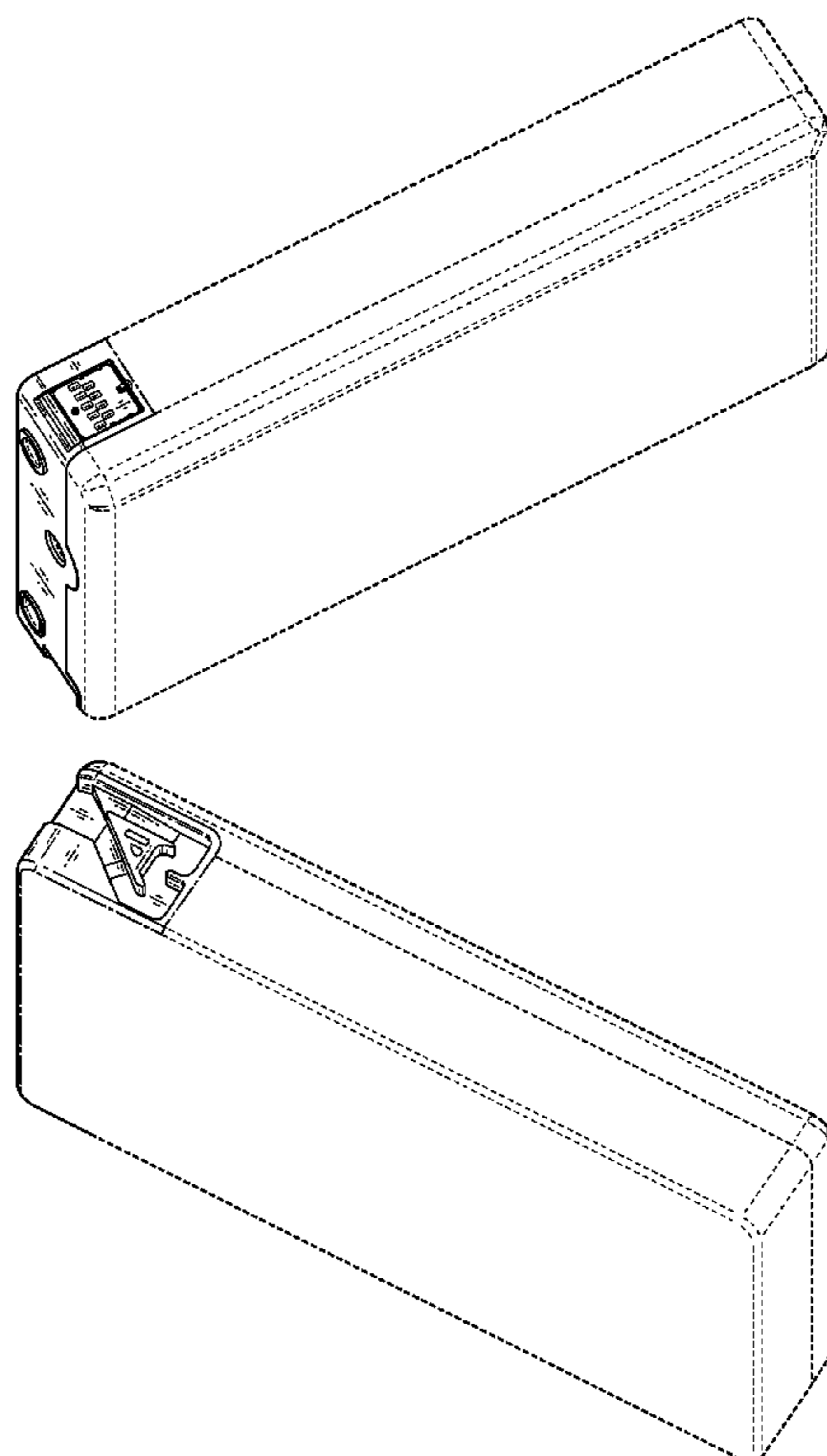
FIG. 7 is a top plan view thereof; and,

FIG. 8 is a bottom plan view thereof.

The features shown in broken lines in the drawings depict environmental subject matter only and form no part of the claimed design.

The dot-dashed broken lines denote the boundaries of the claim and form no part of the claimed design. The broken lines inside the three recesses in FIGS. 1 and 5 represent the boundaries of the claimed design and form no part of the claimed design.

1 Claim, 4 Drawing Sheets



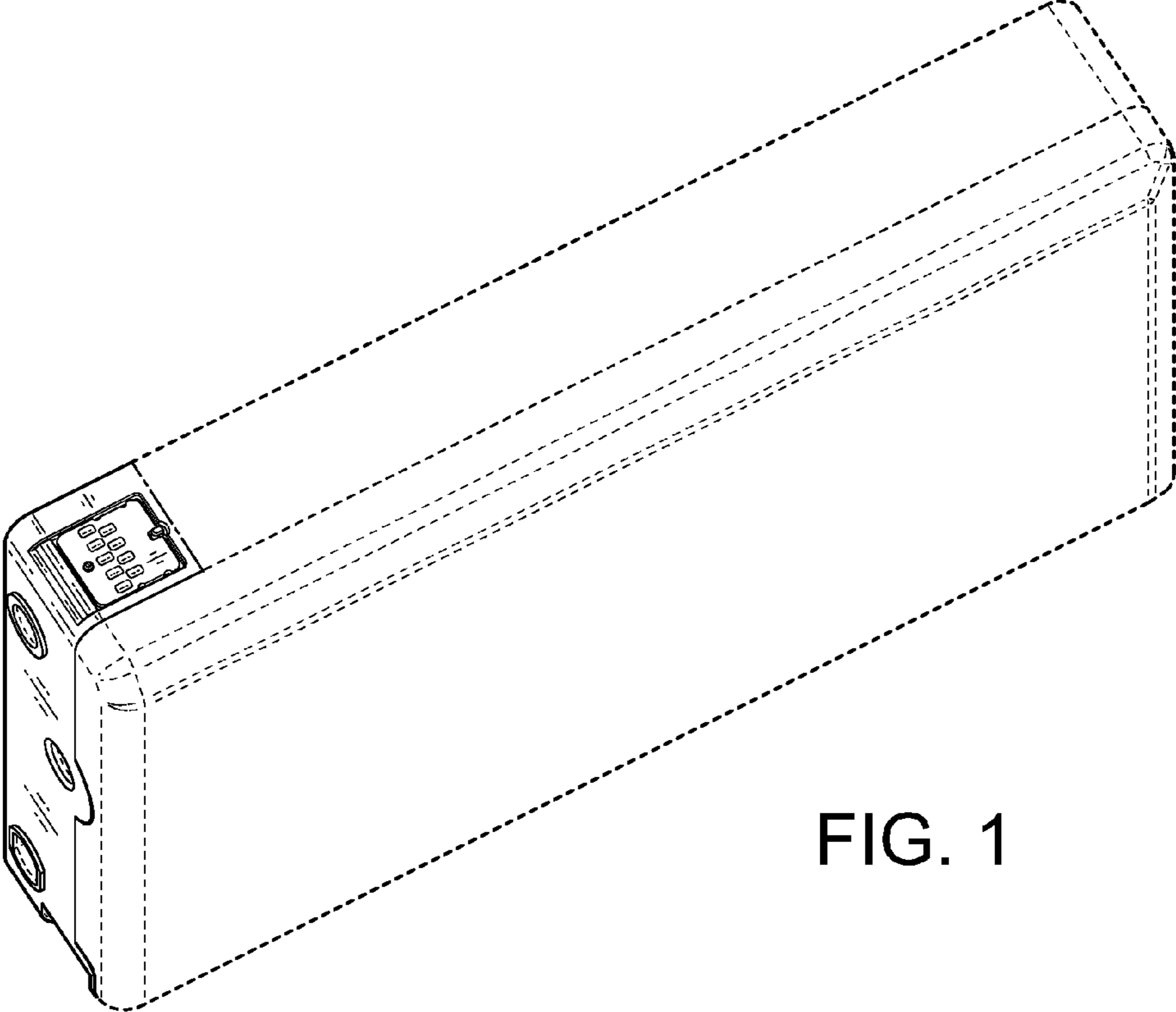


FIG. 1

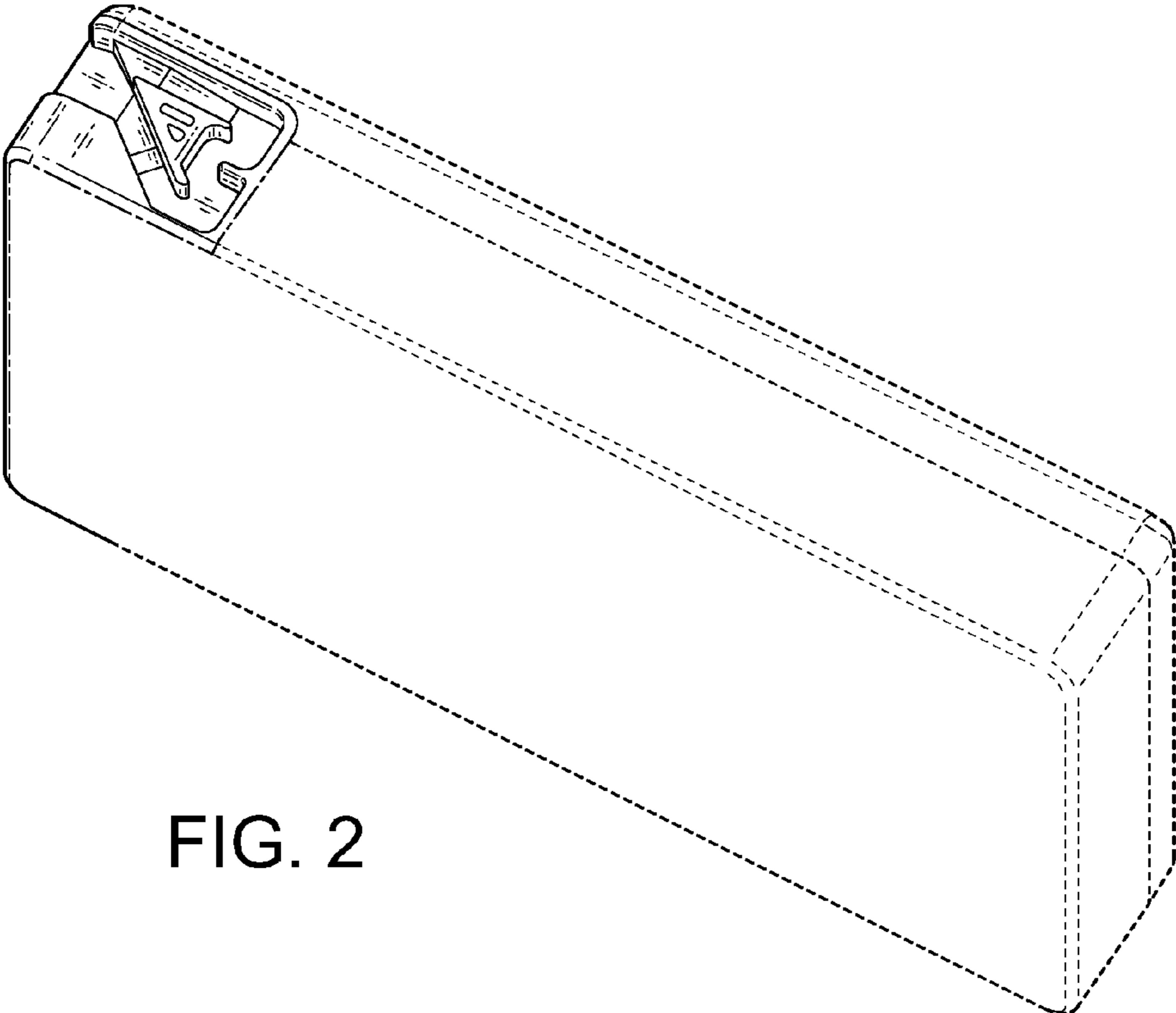


FIG. 2

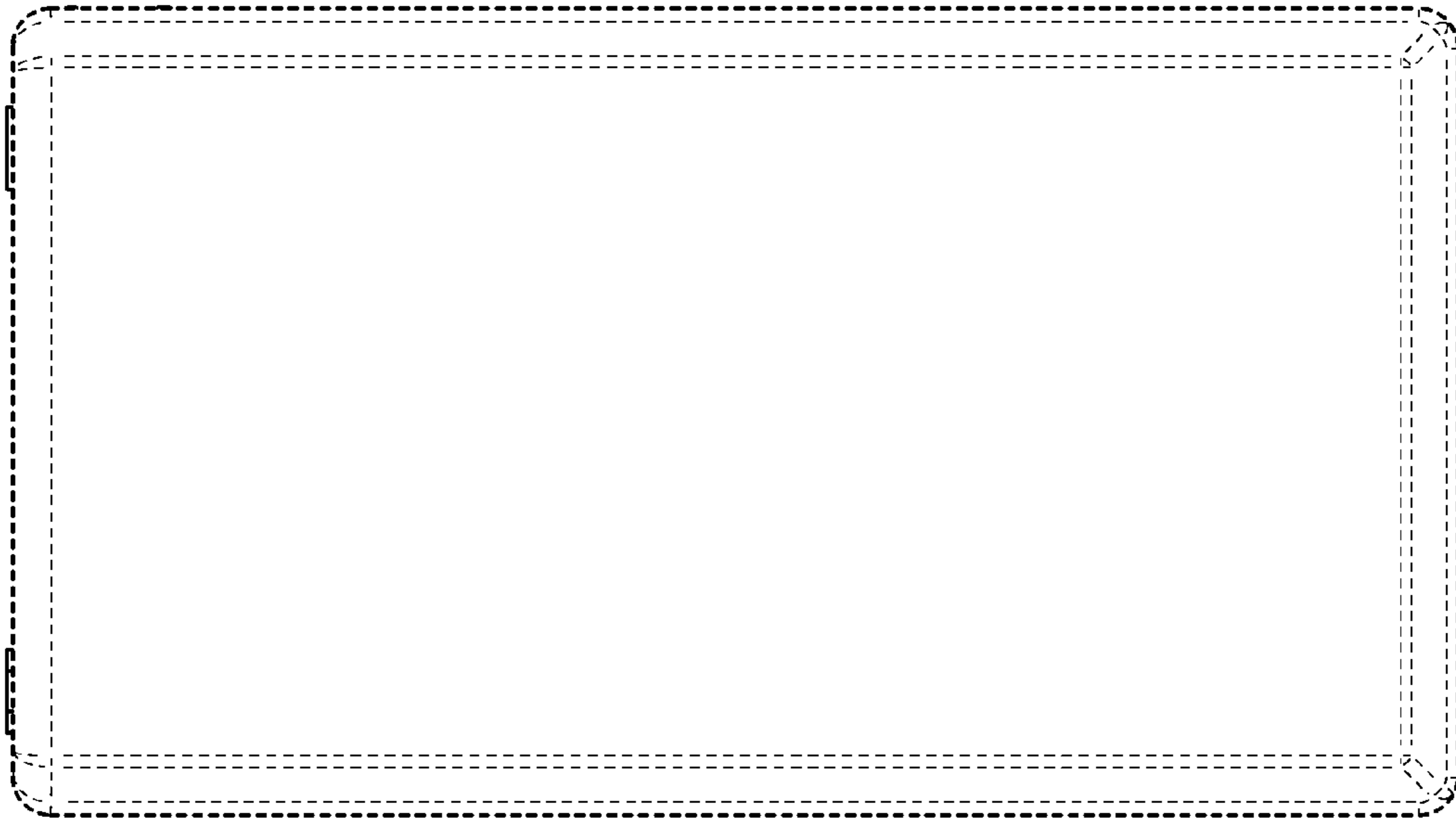


FIG. 3

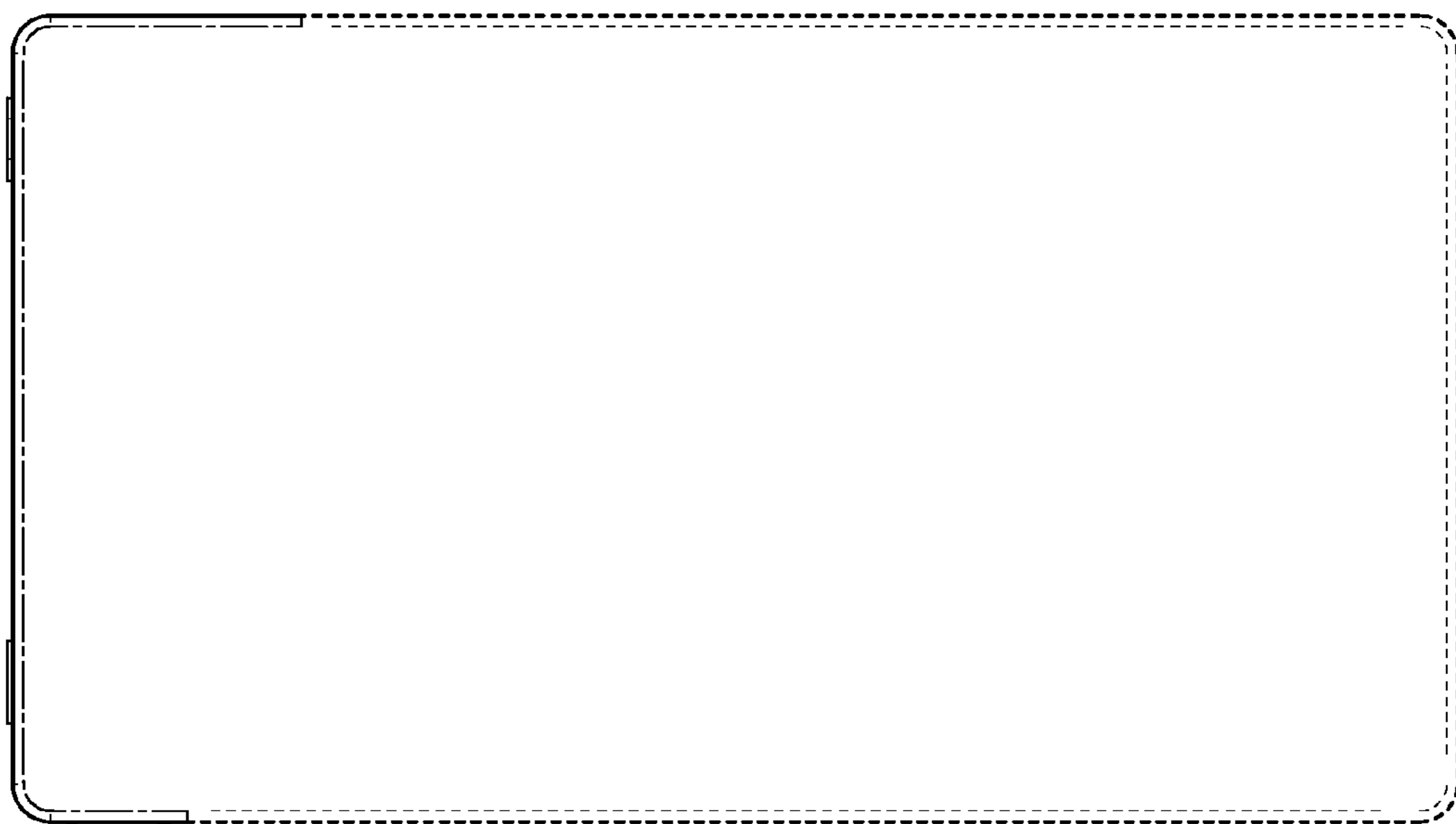


FIG. 4

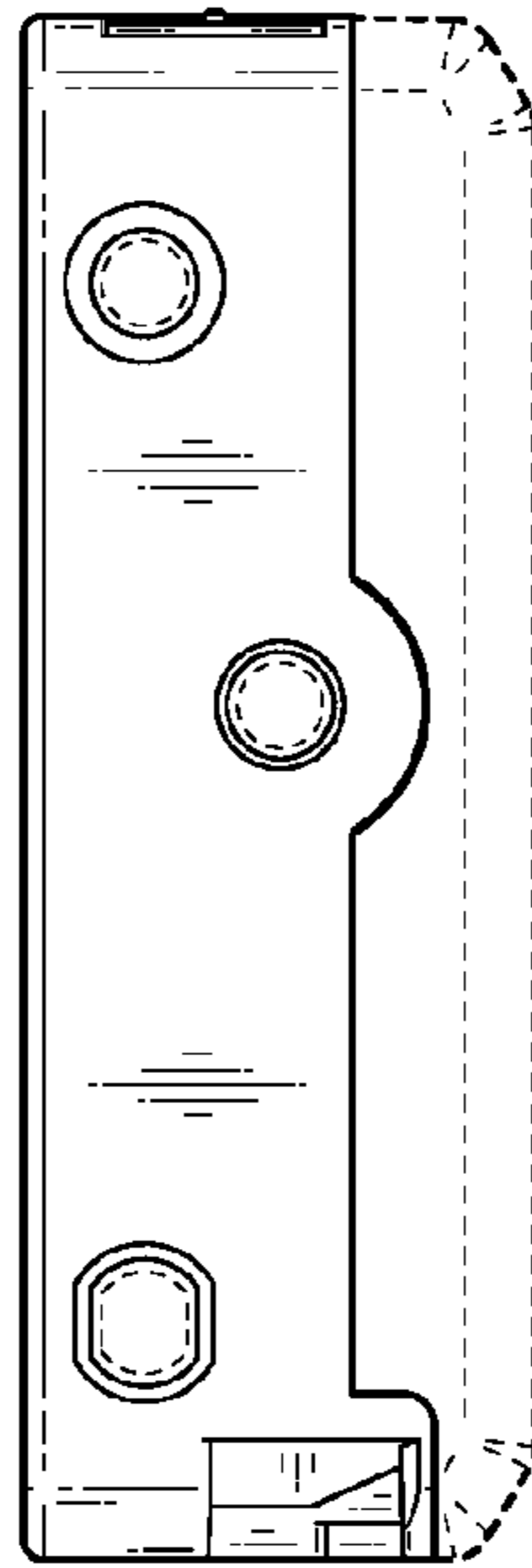


FIG. 5



FIG. 6

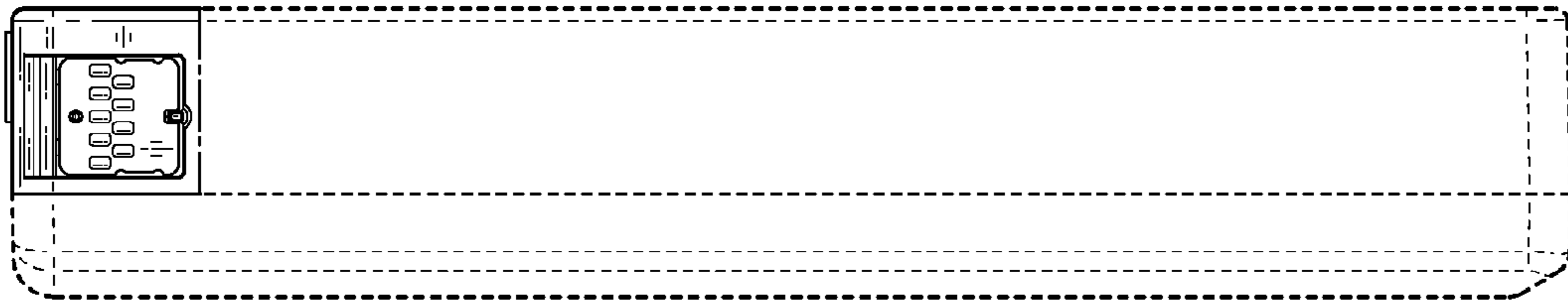


FIG. 7

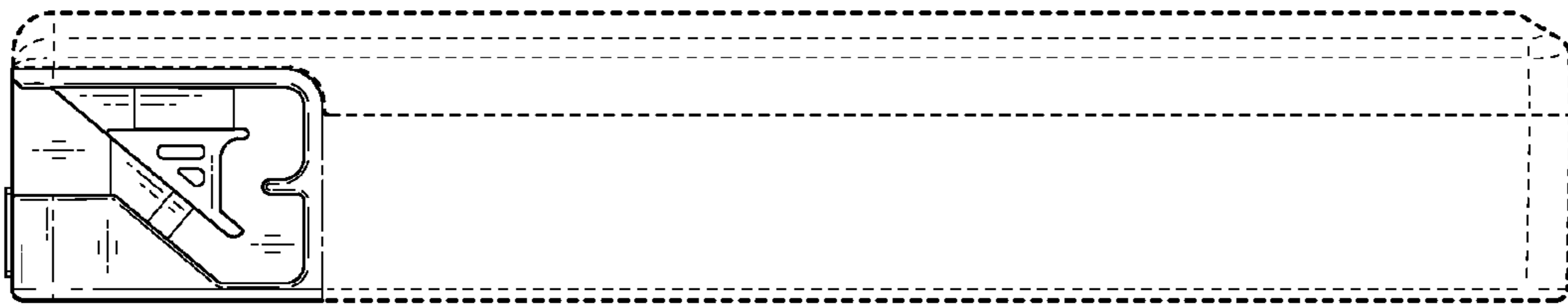


FIG. 8