



US00D656539S

(12) **United States Design Patent**  
**Ishizawa et al.**

(10) **Patent No.:** **US D656,539 S**  
(45) **Date of Patent:** **\*\* Mar. 27, 2012**

(54) **COMBINED CONTAINER AND INK TANKS FOR A PRINTER**

(75) Inventors: **Taku Ishizawa**, Shiojiri (JP); **Yoshiaki Shimizu**, Matsumoto (JP); **Takaaki Ishikawa**, Matsumoto (JP)

(73) Assignee: **Seiko Epson Corporation**, Tokyo (JP)

(\*\*) Term: **14 Years**

(21) Appl. No.: **29/377,752**

(22) Filed: **Oct. 25, 2010**

(30) **Foreign Application Priority Data**

Jul. 26, 2010 (JP) ..... 2010-018131

(51) **LOC (9) Cl.** ..... **18-02**

(52) **U.S. Cl.** ..... **D18/56**

(58) **Field of Classification Search** ..... D18/43,  
D18/56; 347/86-87, 22, 29, 36, 73  
See application file for complete search history.

(56) **References Cited**

**U.S. PATENT DOCUMENTS**

D371,804 S *	7/1996	Kotaki et al. ....	D18/56
5,619,237 A *	4/1997	Inoue et al. ....	347/86
D400,575 S *	11/1998	Kobayashi et al. ....	D18/56
D425,285 S *	5/2000	Shinada et al. ....	D18/56
6,102,533 A *	8/2000	Nozawa et al. ....	347/86
D438,242 S *	2/2001	Chiba et al. ....	D18/56
D443,892 S *	6/2001	Sekine et al. ....	D18/56
D443,893 S *	6/2001	Gonzales et al. ....	D18/56
D454,909 S *	3/2002	Seino et al. ....	D18/56
D455,780 S *	4/2002	Seino et al. ....	D18/56
D465,804 S *	11/2002	Matsumoto et al. ....	D18/56

6,481,822 B2 *	11/2002	Murcia et al. ....	347/22
D466,926 S *	12/2002	Miyahara et al. ....	D18/56
D476,360 S *	6/2003	Kawamura et al. ....	D18/56
D482,061 S *	11/2003	Shinada et al. ....	D18/56
D493,194 S *	7/2004	Ohashi et al. ....	D18/56
D533,587 S *	12/2006	Andoh .....	D18/56
7,237,883 B2 *	7/2007	Hashii et al. ....	347/86
D605,223 S *	12/2009	Murcia et al. ....	D18/56
2010/0013896 A1 *	1/2010	Ishizawa et al. ....	347/86
2010/0134574 A1 *	6/2010	Kobayashi et al. ....	347/85

\* cited by examiner

*Primary Examiner* — Cathy A MacCormac

(57) **CLAIM**

The ornamental design for a combined container and ink tanks for a printer, as shown and described.

**DESCRIPTION**

FIG. 1 is a top, front and right side perspective view of a combined container and ink tanks for a printer showing our new design;

FIG. 2 is a bottom, rear and left side perspective view thereof;

FIG. 3 is a front view thereof;

FIG. 4 is a rear view thereof;

FIG. 5 is a top plan view thereof;

FIG. 6 is a bottom plan view thereof;

FIG. 7 is a right side elevational view thereof;

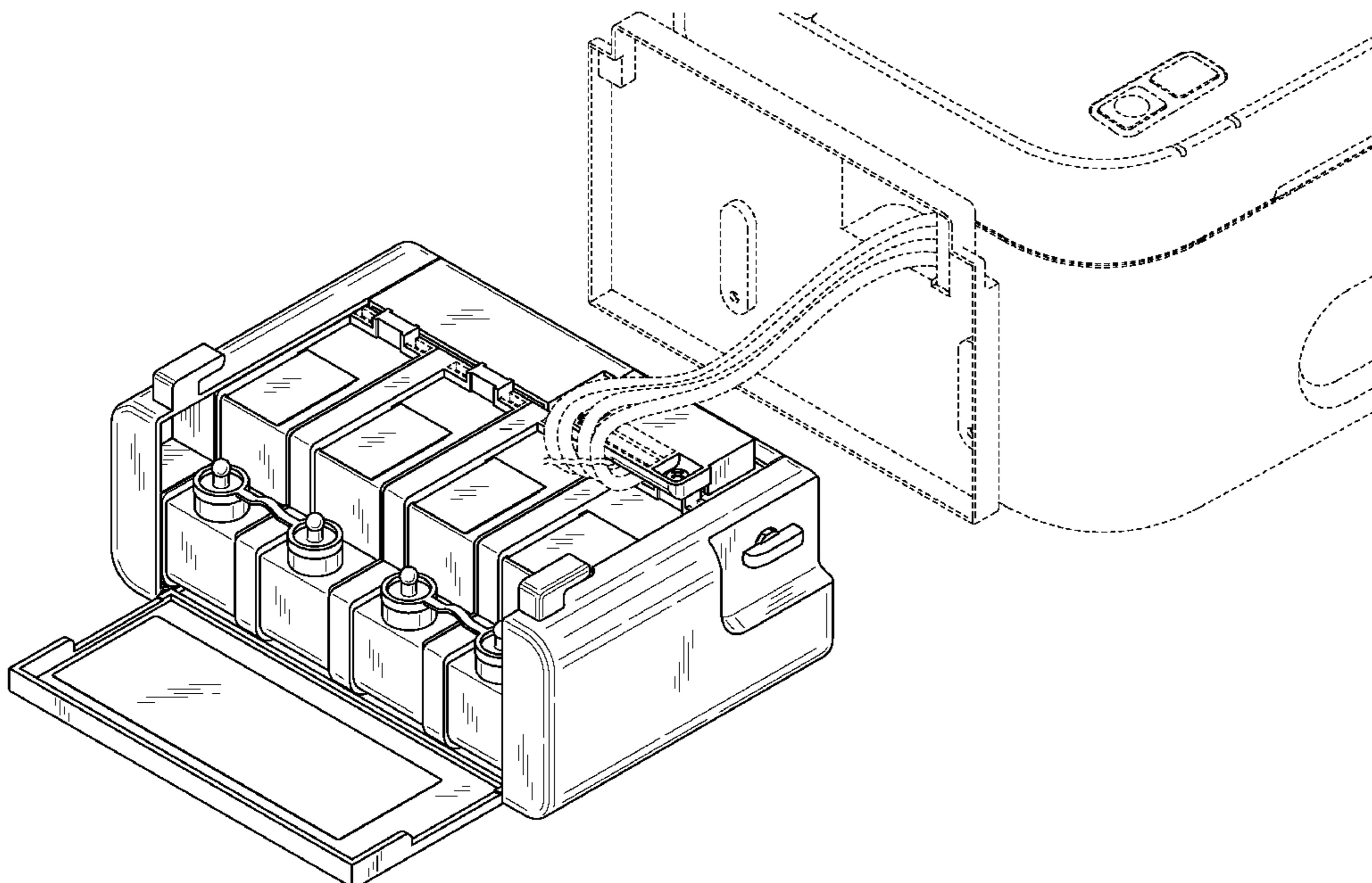
FIG. 8 is a left side elevational view thereof;

FIG. 9 is a right side elevational view showing the article attached to a printer; and,

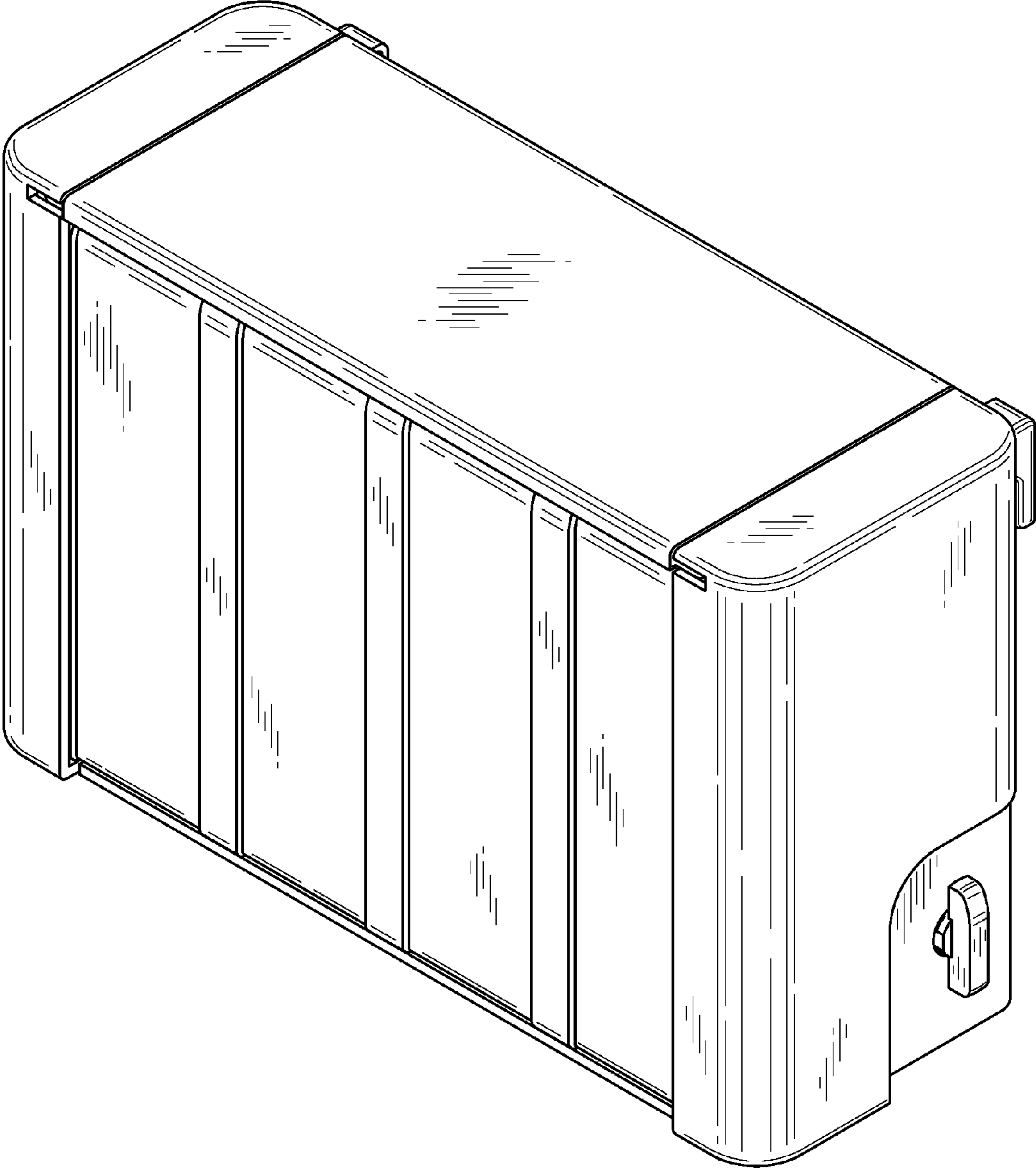
FIG. 10 is a rear, top and right side perspective view showing the article attached to a printer with the top cover in an open position.

The broken lines are shown for illustrative purposes only and form no part of the claimed design.

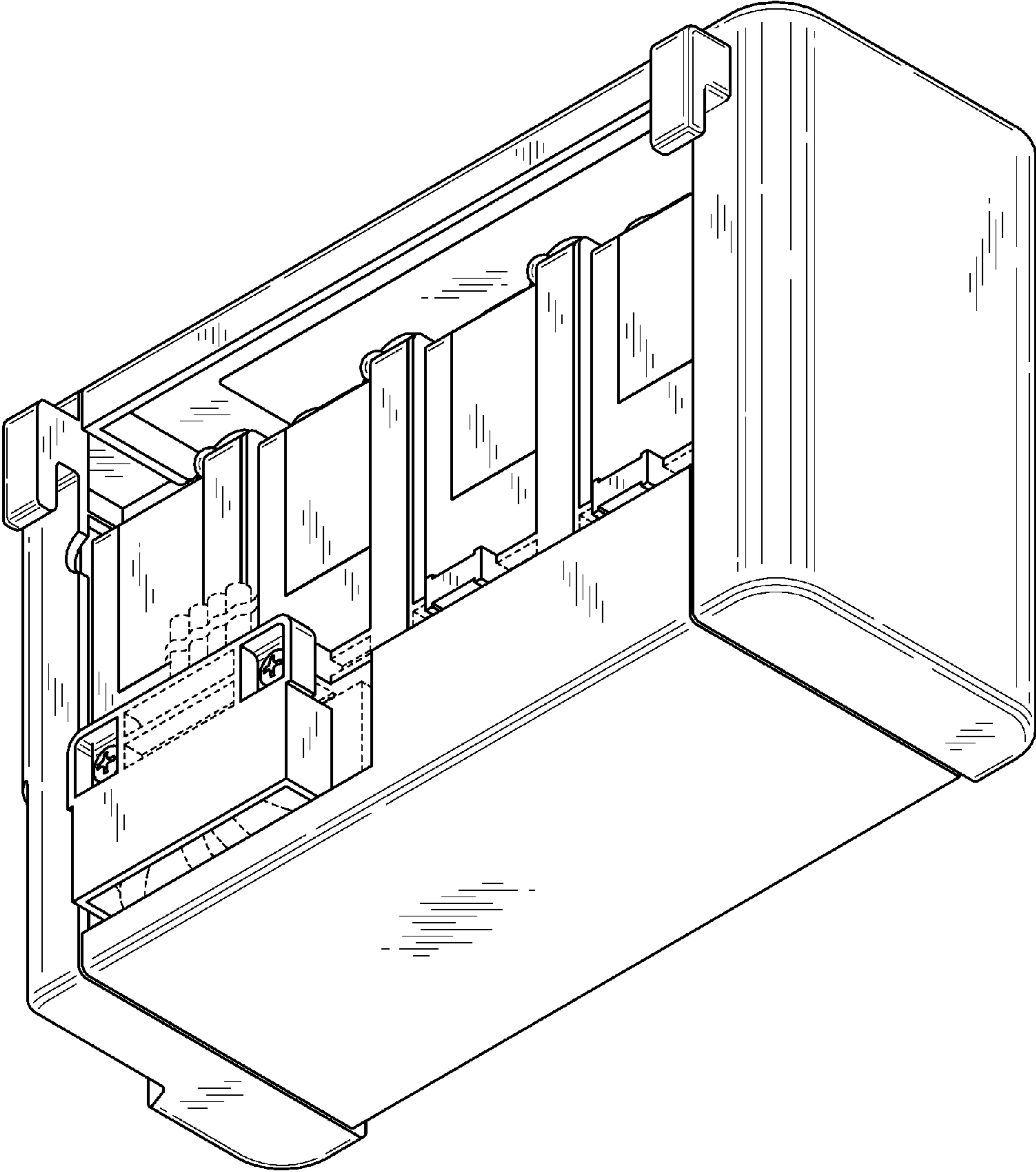
**1 Claim, 9 Drawing Sheets**



**Fig. 1**



**Fig. 2**



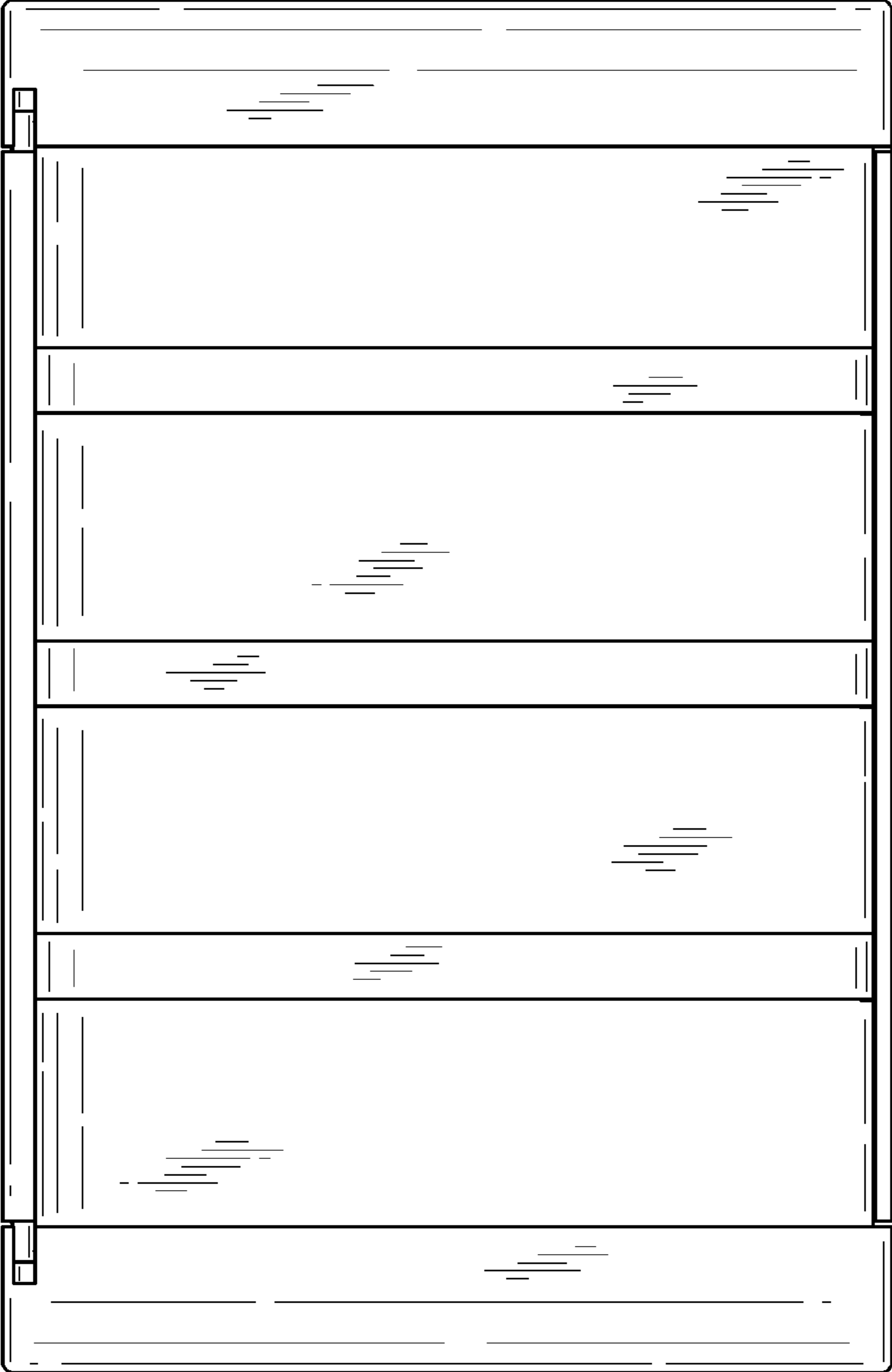


Fig. 3

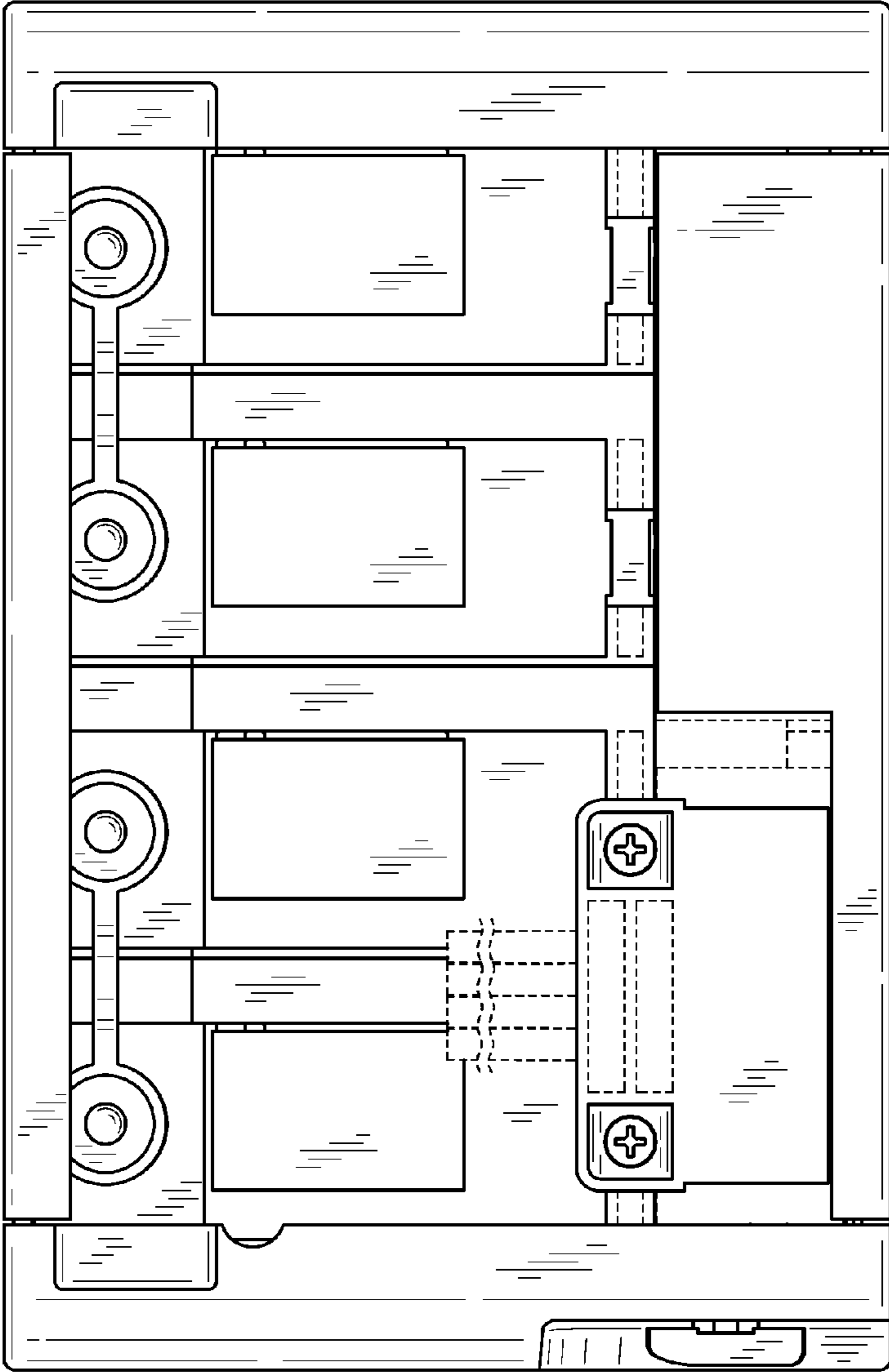


Fig. 4

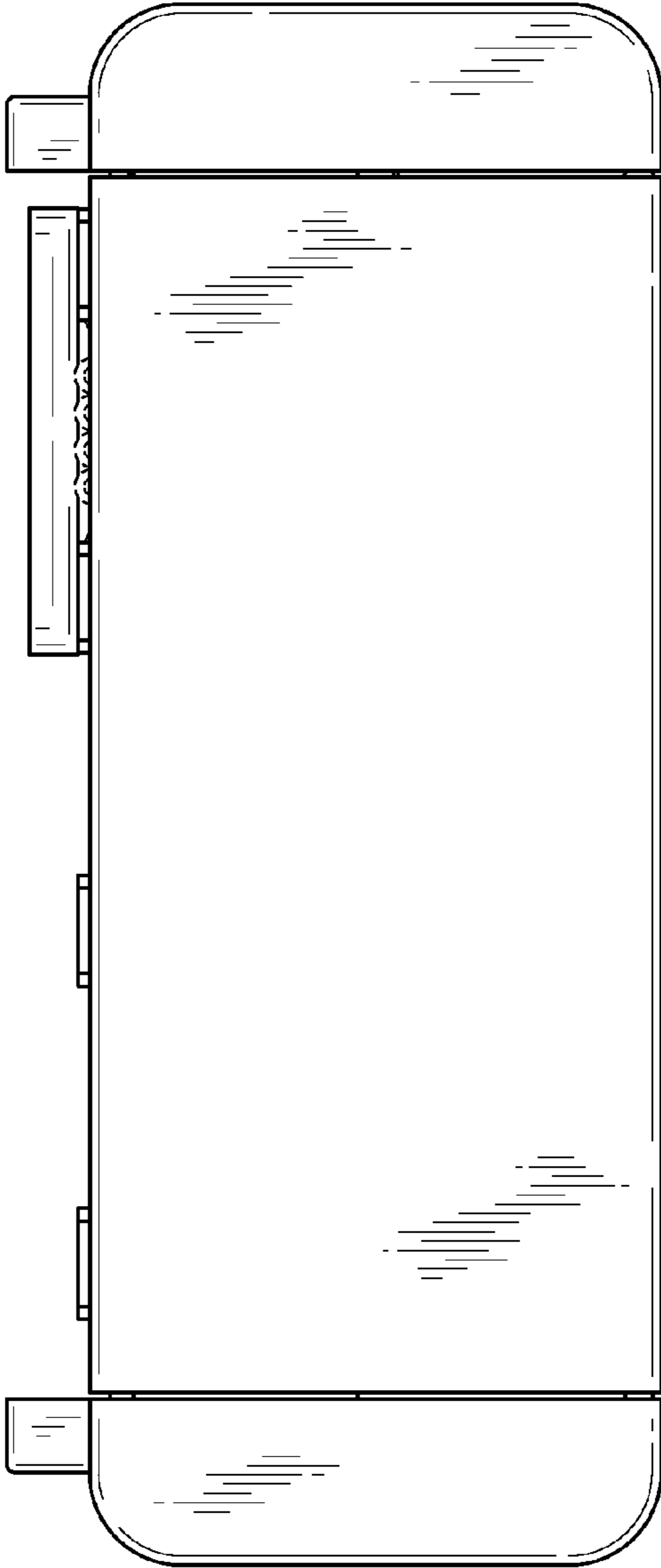


Fig. 5

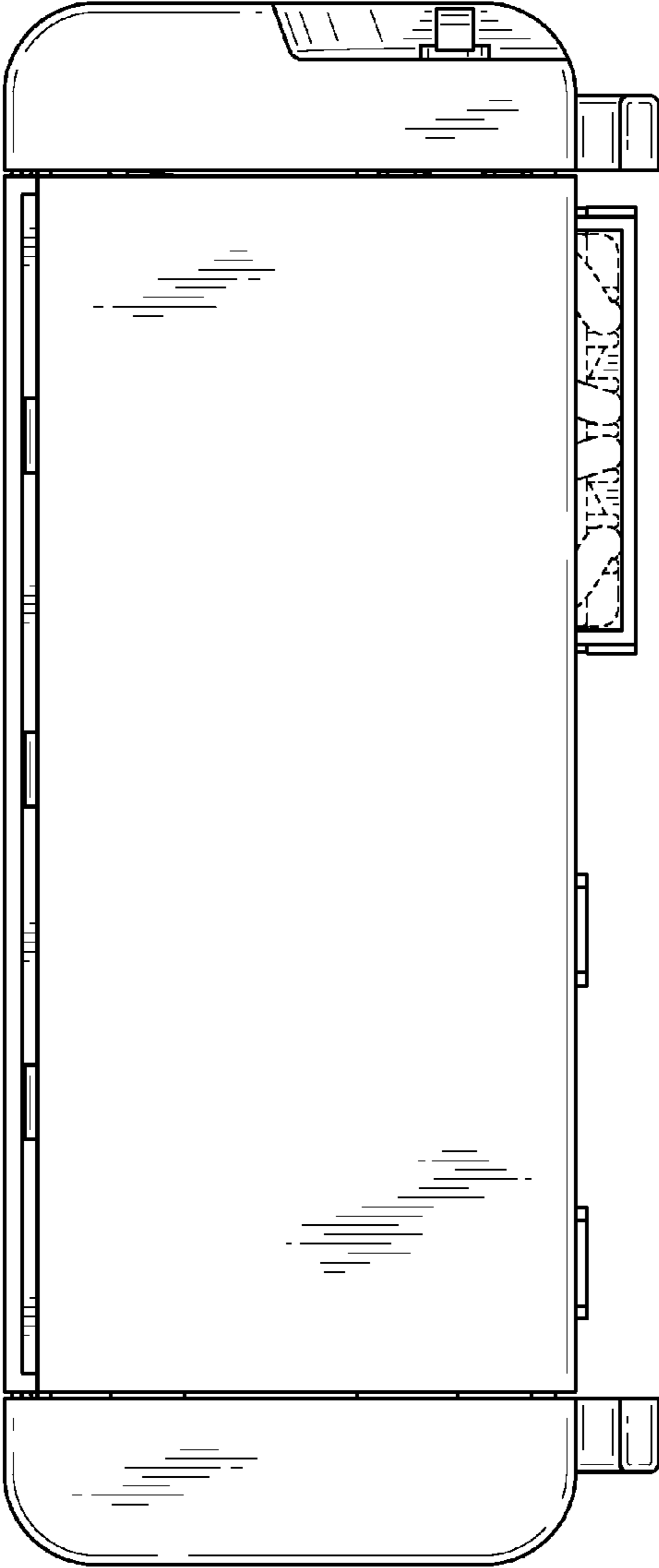


Fig. 6

Fig. 8

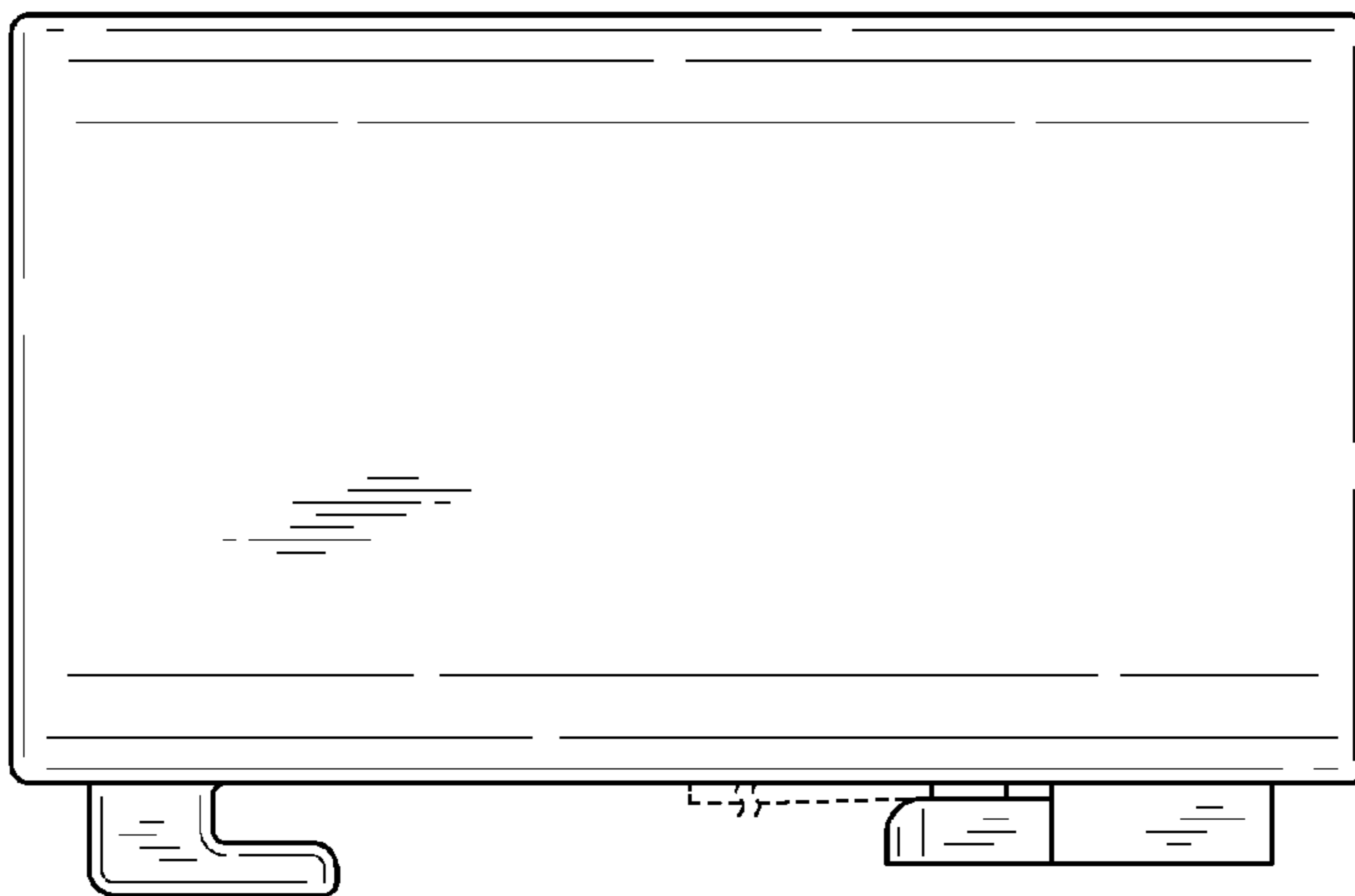


Fig. 7

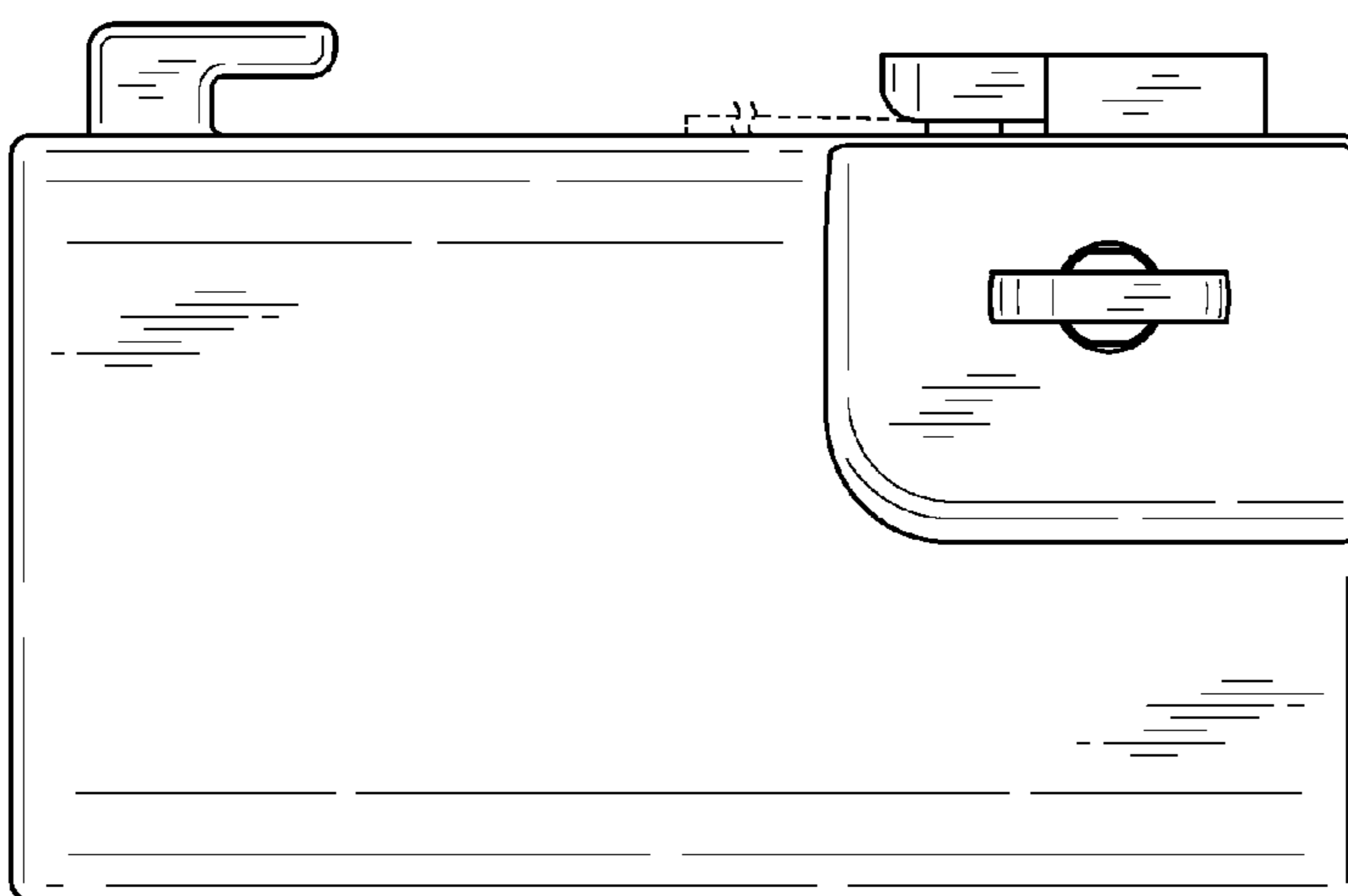
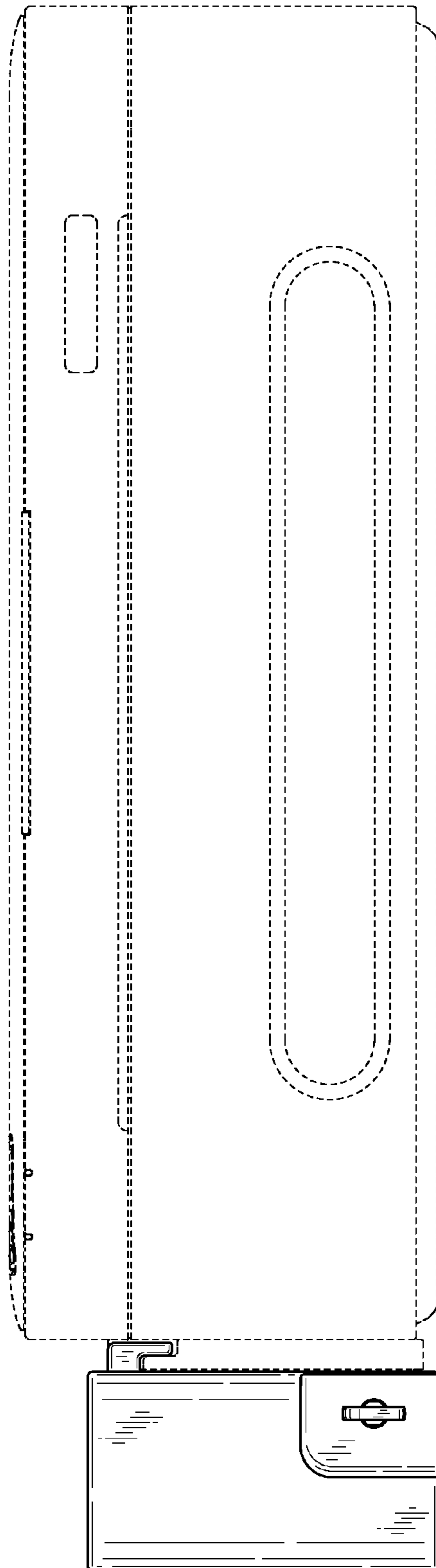




Fig. 9



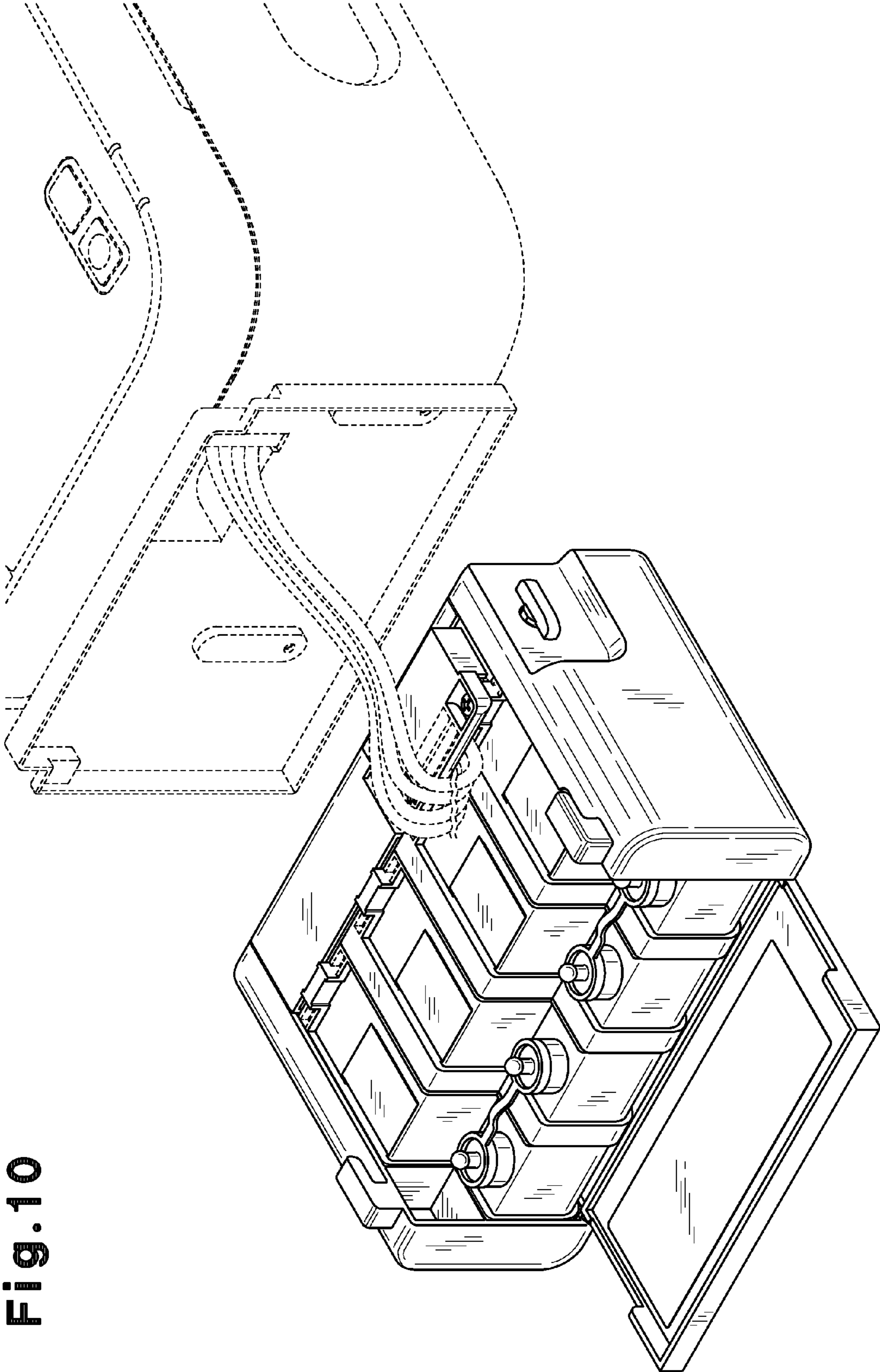


Fig. 10