



US00D656538S

(12) **United States Design Patent**
Herre et al.

(10) **Patent No.:** **US D656,538 S**
(45) **Date of Patent:** **** Mar. 27, 2012**

(54) **LINEAR COLOR CHANGER COMPONENT**

(56)

References Cited

(75) Inventors: **Frank Herre**, Oberriexingen (DE);
Manfred Michelfelder, Steinheim (DE);
Markus Erhardt, Stuttgart (DE);
Michael Baumann, Flein (DE); **Rainer Melcher**, Oberstenfeld (DE); **Thomas Buck**, Sachsenheim (DE)

(73) Assignee: **Durr Systems, Inc.**, Plymouth, MI (US)

(**) Term: **14 Years**

(21) Appl. No.: **29/343,366**

(22) Filed: **Sep. 11, 2009**

(30) **Foreign Application Priority Data**

Mar. 13, 2009	(EM)	001119358-0001
Mar. 13, 2009	(EM)	001119358-0002
Mar. 13, 2009	(EM)	001119358-0003
Mar. 13, 2009	(EM)	001119358-0004
Mar. 13, 2009	(EM)	001119358-0005
Mar. 13, 2009	(EM)	001119358-0006
Mar. 13, 2009	(EM)	001119358-0007
Mar. 13, 2009	(EM)	001119358-0008

(51) **LOC (9) Cl.** **18-02**

(52) **U.S. Cl.** **D18/56**

(58) **Field of Classification Search** D23/213,
D23/223, 225, 226, 526, 600, 459, 690; 239/310,
239/373, 337, 332-333, 152-154; D8/2,
D8/14.1; 361/227, 228; D18/56

See application file for complete search history.

U.S. PATENT DOCUMENTS

4,887,770	A *	12/1989	Wacker et al.	239/703
6,352,589	B1 *	3/2002	Furuoya	118/300
6,439,485	B1 *	8/2002	Borner	239/706
6,672,521	B2 *	1/2004	Reichler	239/703
6,896,735	B2 *	5/2005	Giuliano et al.	118/629
7,070,130	B1 *	7/2006	Minko	239/690.1
D536,063	S *	1/2007	Childs et al.	D23/225
D588,231	S *	3/2009	Pellin et al.	D23/223
D607,969	S *	1/2010	Ariaz	D23/213
D638,518	S *	5/2011	Herre et al.	D23/213
2002/0096582	A1 *	7/2002	Edelhauser	239/700
2003/0001031	A1 *	1/2003	Heldt et al.	239/700

* cited by examiner

Primary Examiner — Holly Baynham

Assistant Examiner — Michelle E Wilson

(74) *Attorney, Agent, or Firm* — Rader Fishman & Grauer PLLC

(57)

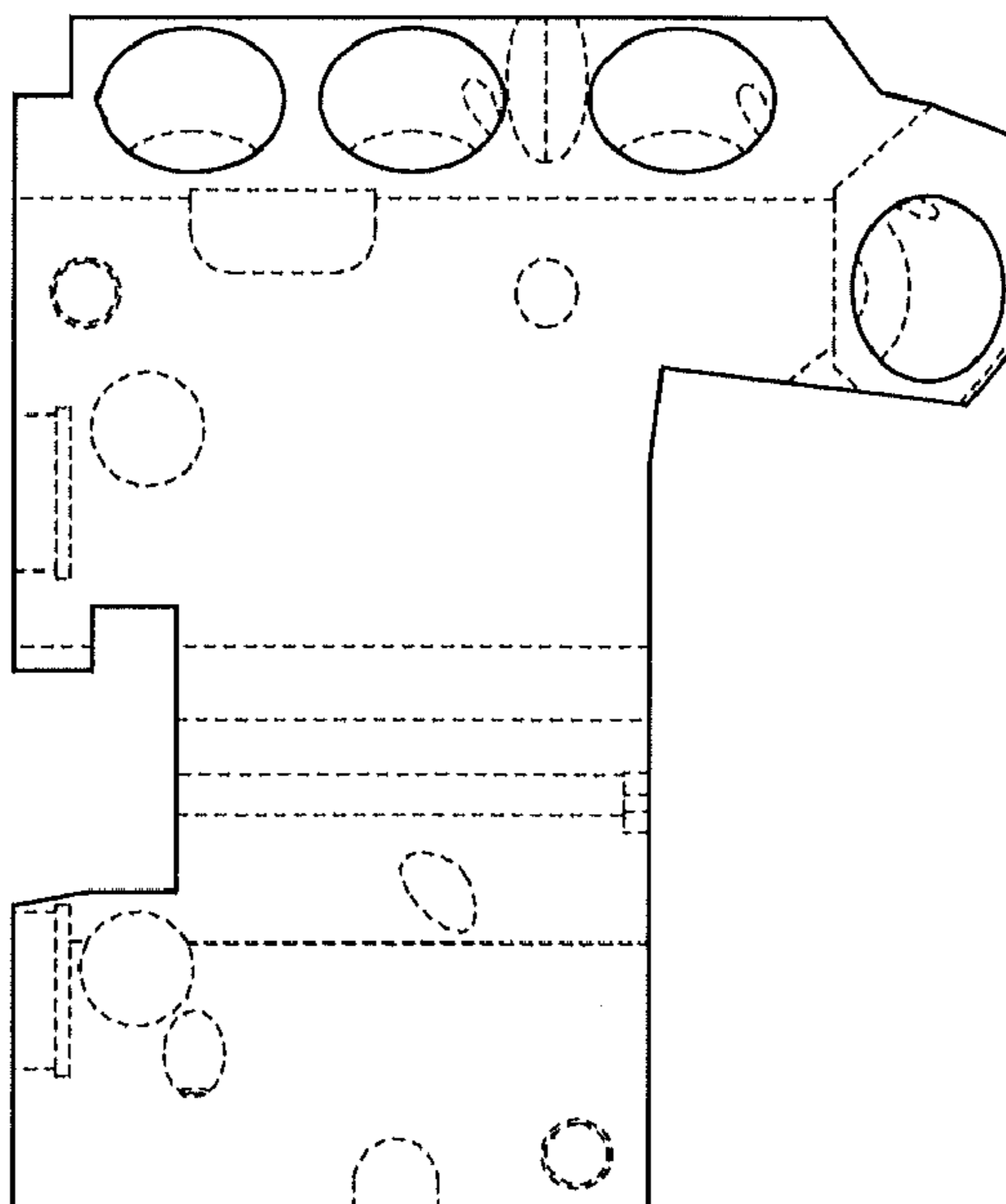
CLAIM

The ornamental design for a linear color changer component, as shown and described.

DESCRIPTION

FIG. 1 is a front view of a linear color changer component showing a representation of our new design; FIG. 2 is a right side view thereof; FIG. 3 is a rear view thereof; FIG. 4 is a left side view thereof; FIG. 5 is a top view thereof; FIG. 6 is a front perspective view thereof; and, FIG. 7 is a left side perspective view thereof. The broken lines in the FIGS. are directed to environment and are for illustrative purposes only. The broken lines form no part of the claimed design.

1 Claim, 4 Drawing Sheets



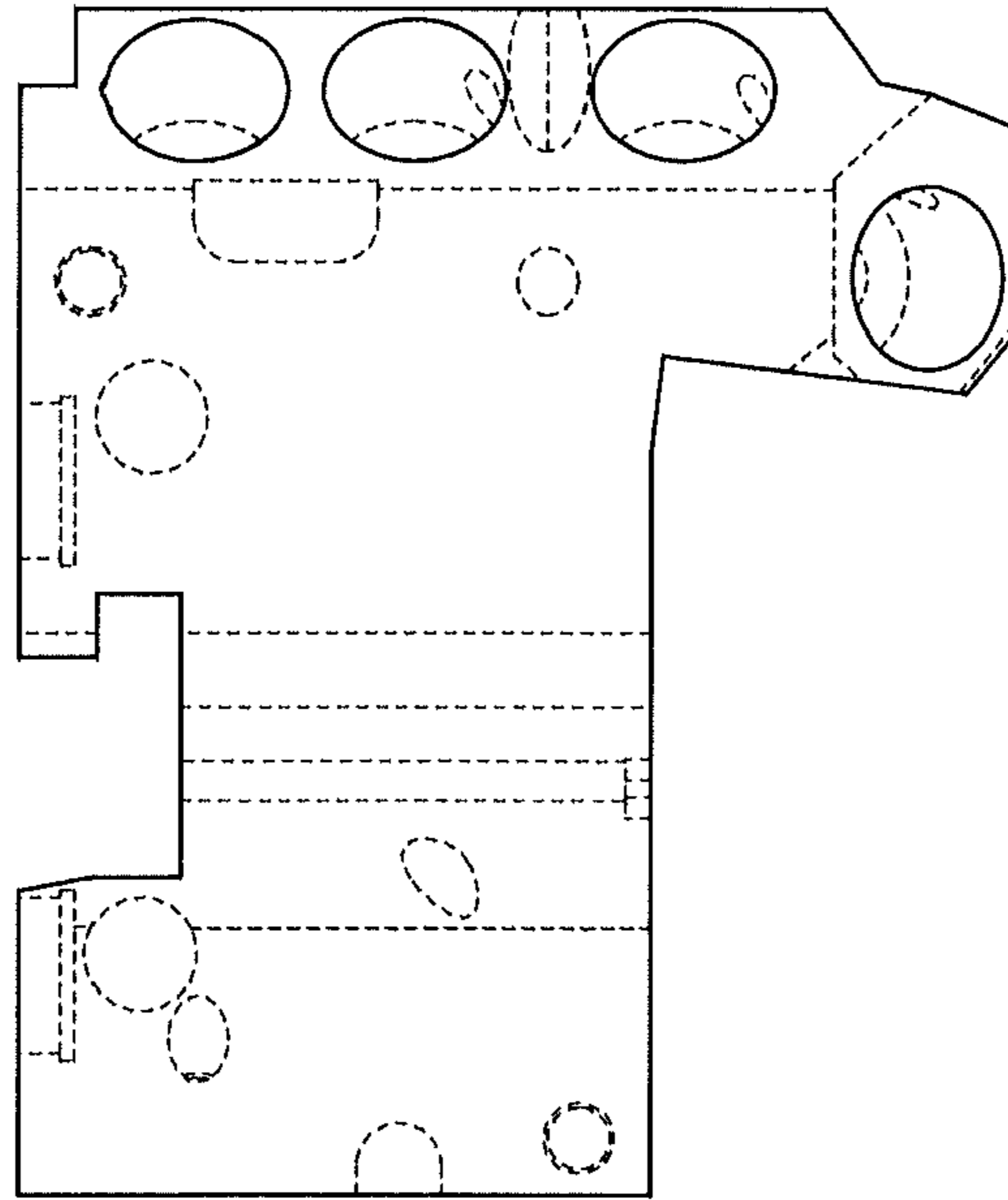


FIG. 1

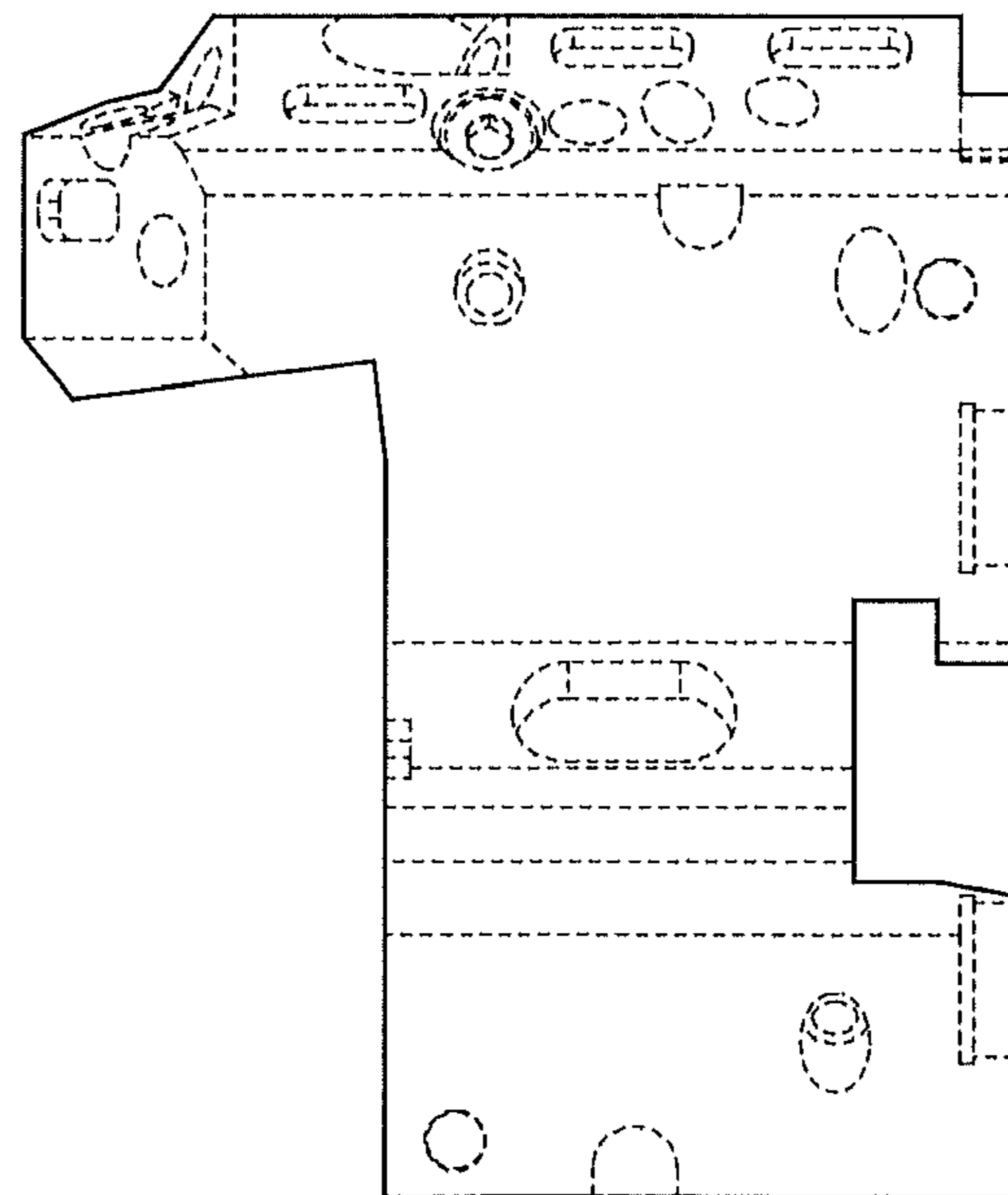


FIG. 2

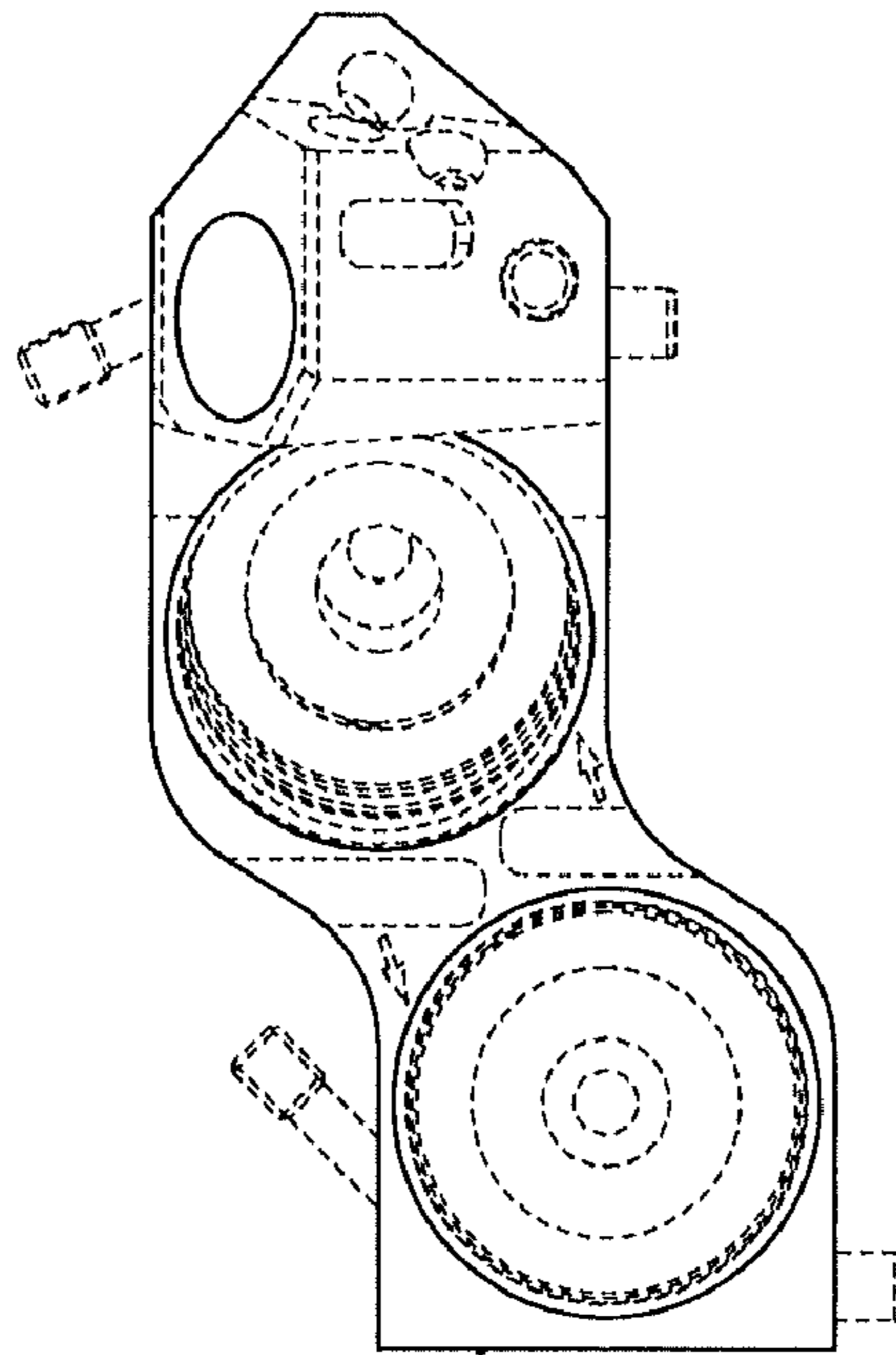


FIG. 3

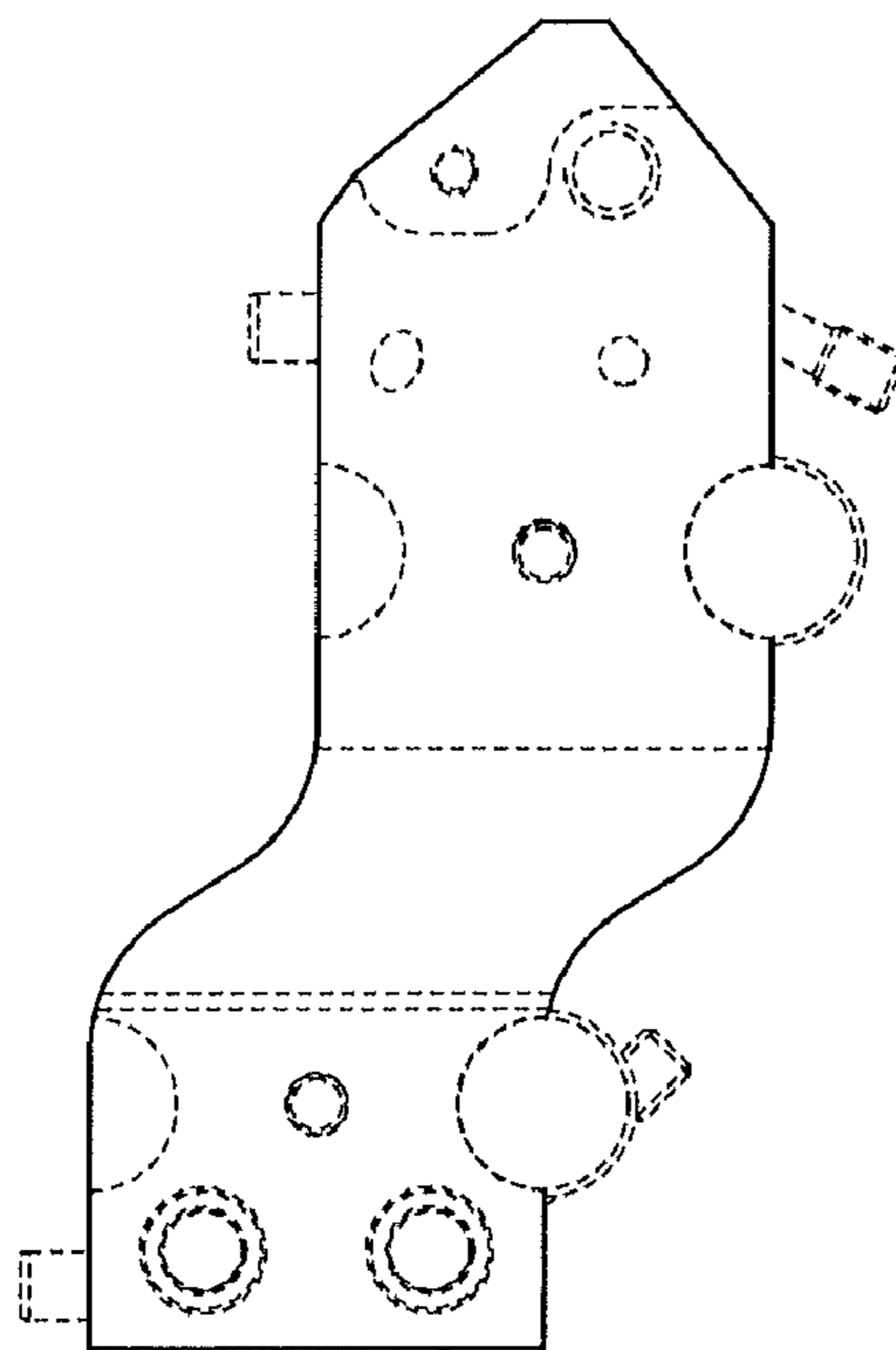


FIG. 4

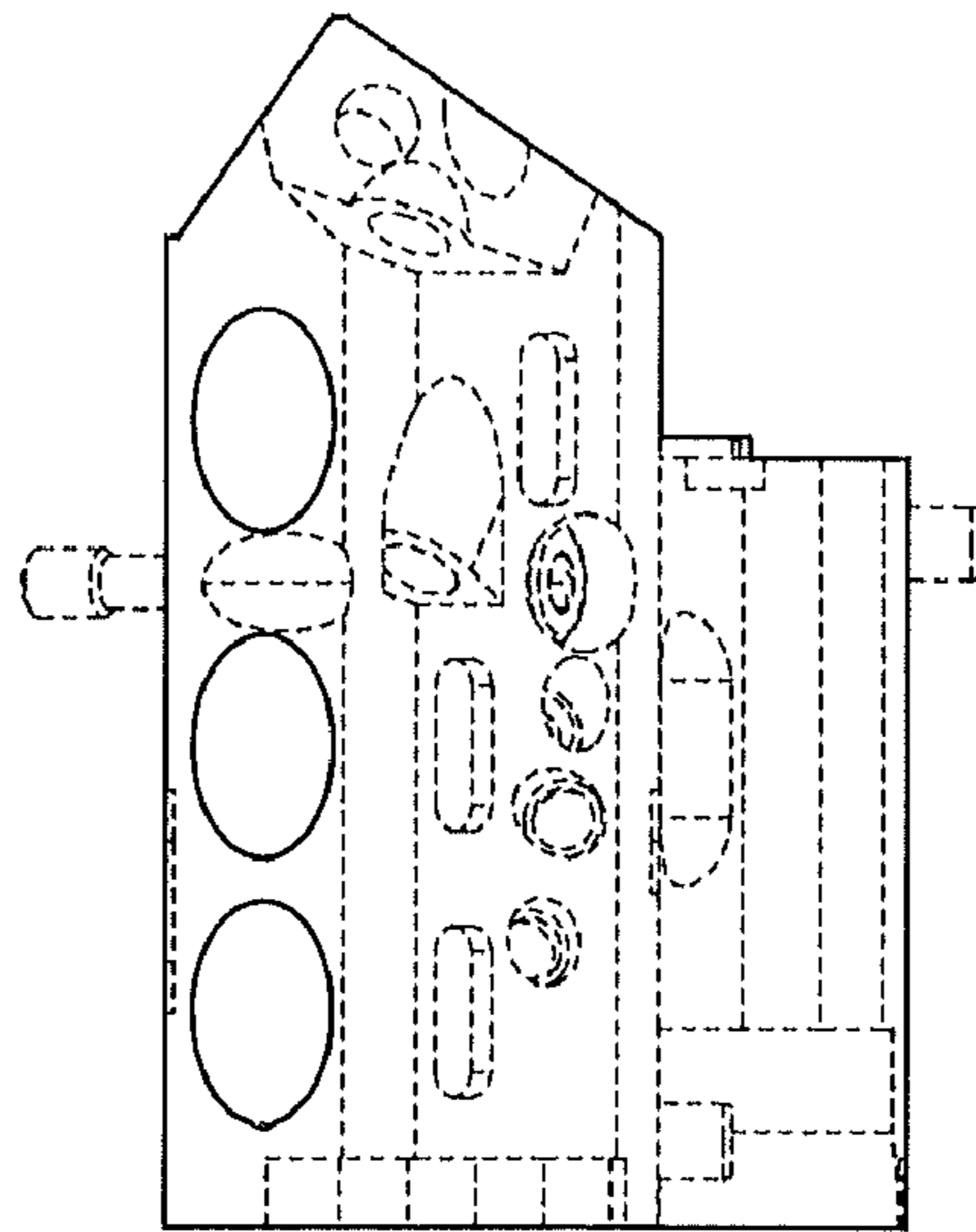


FIG. 5

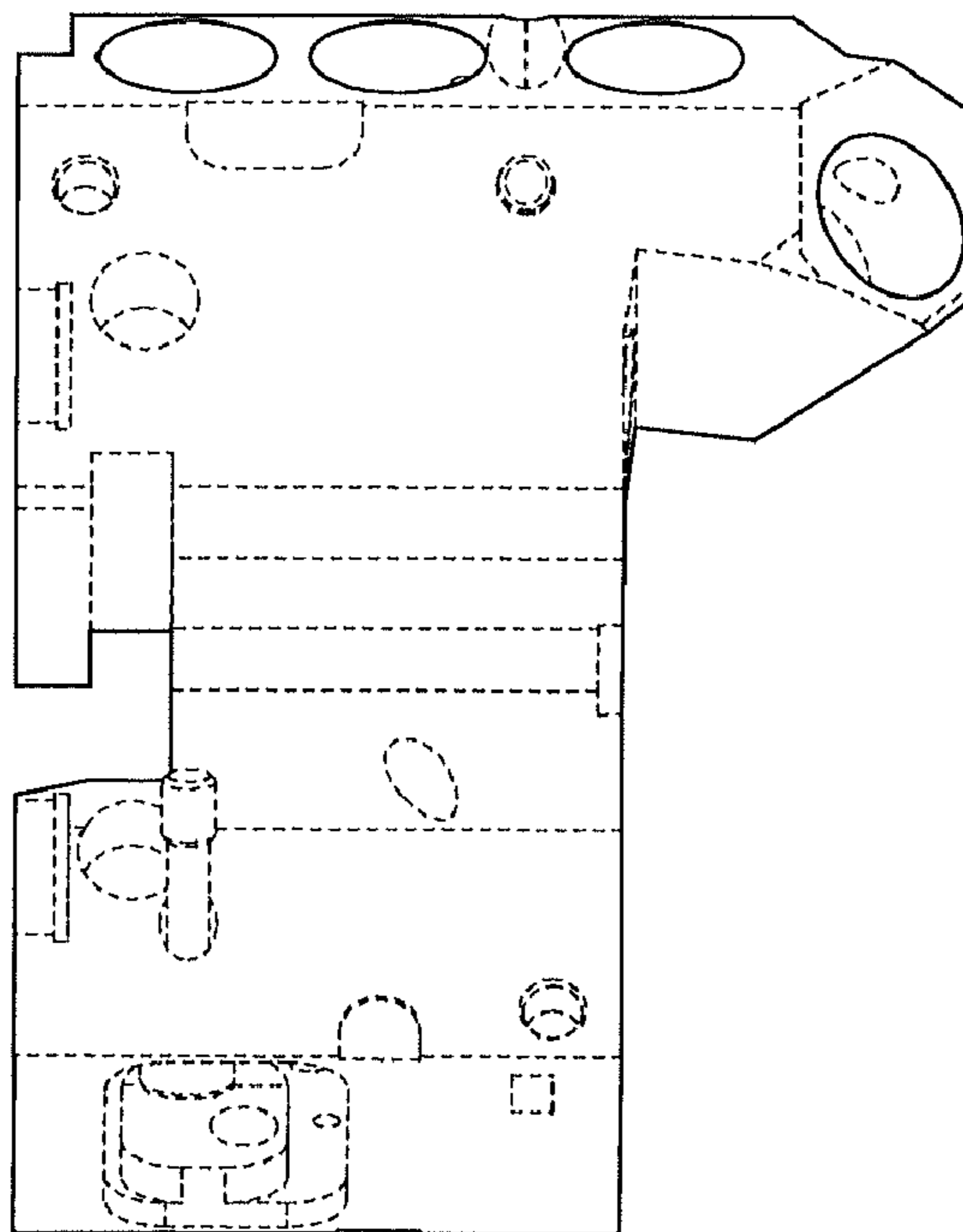


FIG. 6

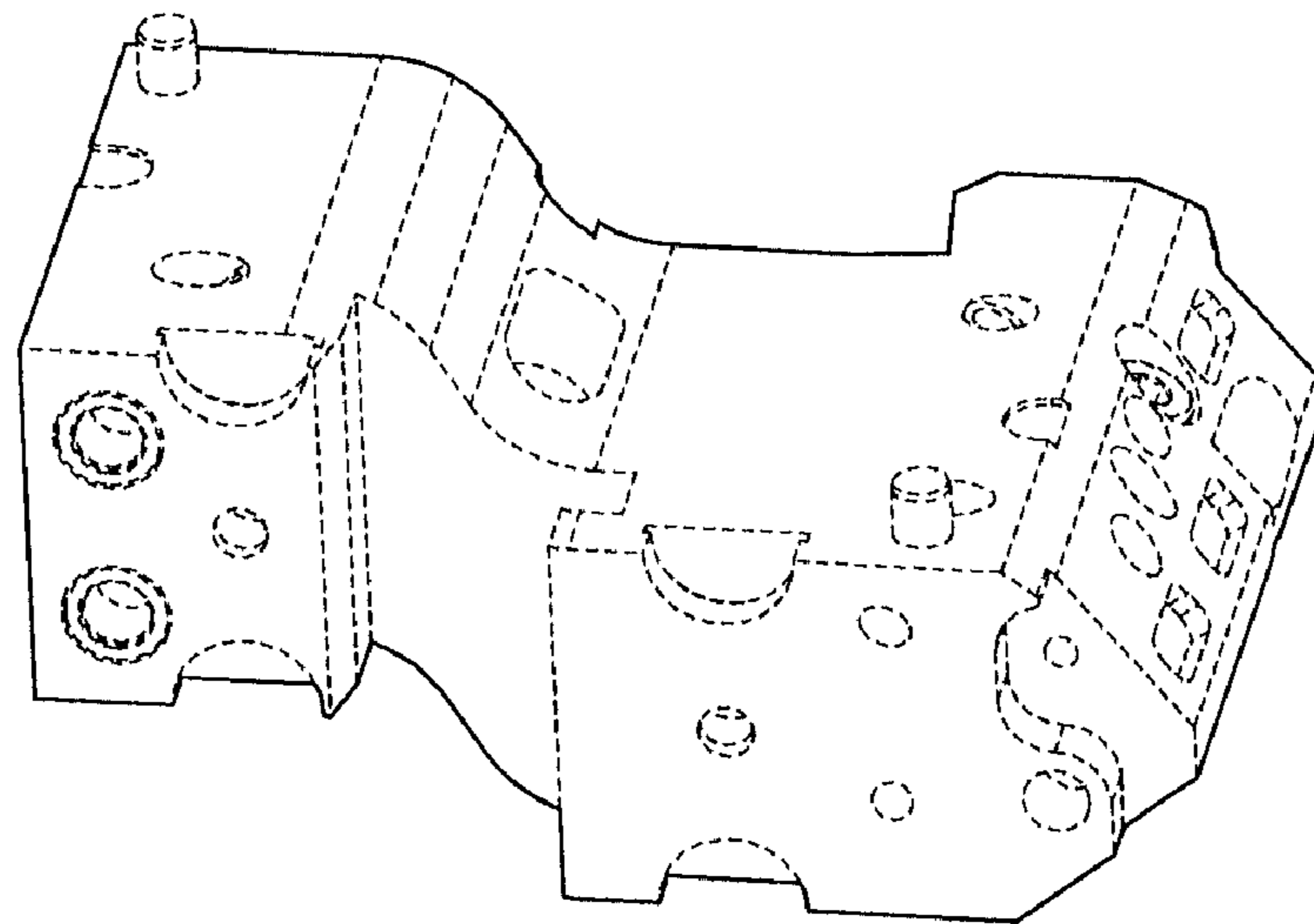


FIG. 7