



US00D656537S

(12) **United States Design Patent**
Van Den Broecke et al.

(10) **Patent No.:** **US D656,537 S**
(45) **Date of Patent:** **** Mar. 27, 2012**

(54) **PRINTER**

(75) Inventors: **Stefaan Van Den Broecke**, Gent (BE);
Yves Peeters, Langdorp (BE); **Philip**
Madden, Brasschaat (BE); **Ward**
Adriaenssen, Schoten (BE)

(73) Assignee: **Dymo**, Sint-Niklaas (BE)

(**) Term: **14 Years**

(21) Appl. No.: **29/376,621**

(22) Filed: **Oct. 8, 2010**

(30) **Foreign Application Priority Data**

Apr. 9, 2010 (EM) 001208995

(51) **LOC (9) Cl.** **18-02**

(52) **U.S. Cl.** **D18/50; D18/19**

(58) **Field of Classification Search** D14/420–425,
D14/463–470; D18/14, 19, 36–37, 50, 54,
D18/54.1, 55; D8/50; D19/72; 400/613,
400/613.1–613.4, 690, 690.1–690.4, 691–694
See application file for complete search history.

(56) **References Cited**

U.S. PATENT DOCUMENTS

D201,722 S * 7/1965 Van Acker et al. D18/14
D202,004 S * 8/1965 Amano D18/14
3,266,696 A * 8/1966 Tyszkiewicz 227/120
D290,258 S * 6/1987 Weisz et al. D18/54
D305,438 S * 1/1990 Miyamoto et al. D18/36
D310,950 S * 10/1990 Olesen et al. D8/49

D316,106 S * 4/1991 Yamatogi D18/36
D334,327 S * 3/1993 Hiromori D8/50
D344,536 S * 2/1994 Lee et al. D18/19
D371,572 S * 7/1996 Kawashima et al. D18/14
D407,751 S * 4/1999 Zimmermann D19/72
D512,461 S * 12/2005 Tsuruha D8/50
D512,890 S * 12/2005 Harris D8/50
D522,571 S * 6/2006 Senda et al. D18/54
7,090,110 B2 * 8/2006 Adams et al. 227/120
D556,253 S * 11/2007 Hong et al. D18/50
7,306,386 B2 * 12/2007 Lyman et al. 400/692
D559,303 S * 1/2008 Hongo D18/19
D640,735 S * 6/2011 Kimura et al. D18/50

* cited by examiner

Primary Examiner — Cathy A MacCormac

(74) *Attorney, Agent, or Firm* — Marshall, Gerstein & Borun
LLP

(57) **CLAIM**

The ornamental design for printer, as shown and described.

DESCRIPTION

FIG. 1 is a front perspective view for a printer showing our
new design;

FIG. 2 is a rear perspective view thereof;

FIG. 3 is a front view thereof;

FIG. 4 is a rear view thereof.

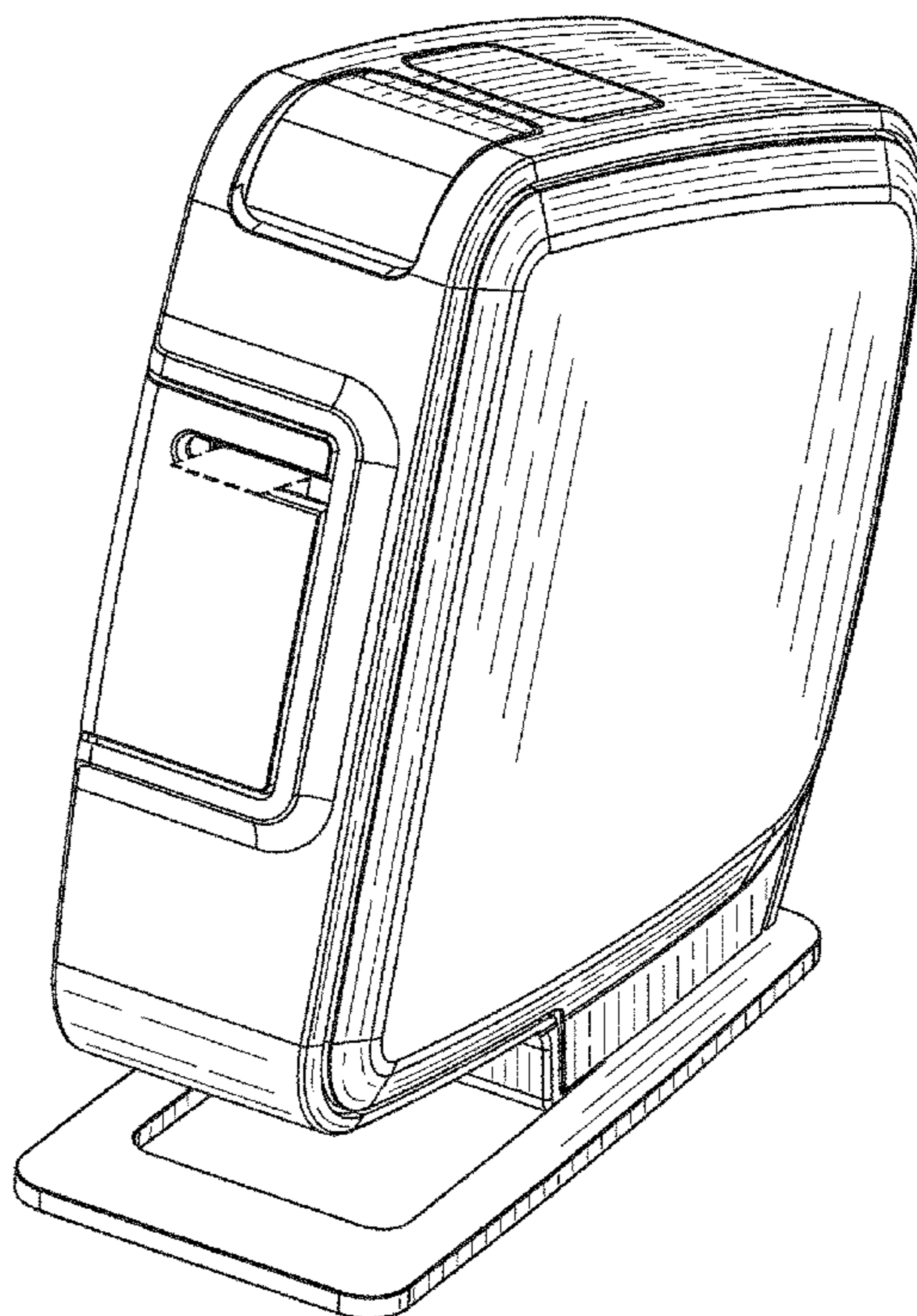
FIG. 5 is a right side view thereof;

FIG. 6 is a left side view thereof; and,

FIG. 7 is a top view thereof.

The broken lines showing a label in FIGS. 2, 3, 5, 6 and 7 are
included for illustration only and form no part of the claimed
design.

1 Claim, 7 Drawing Sheets



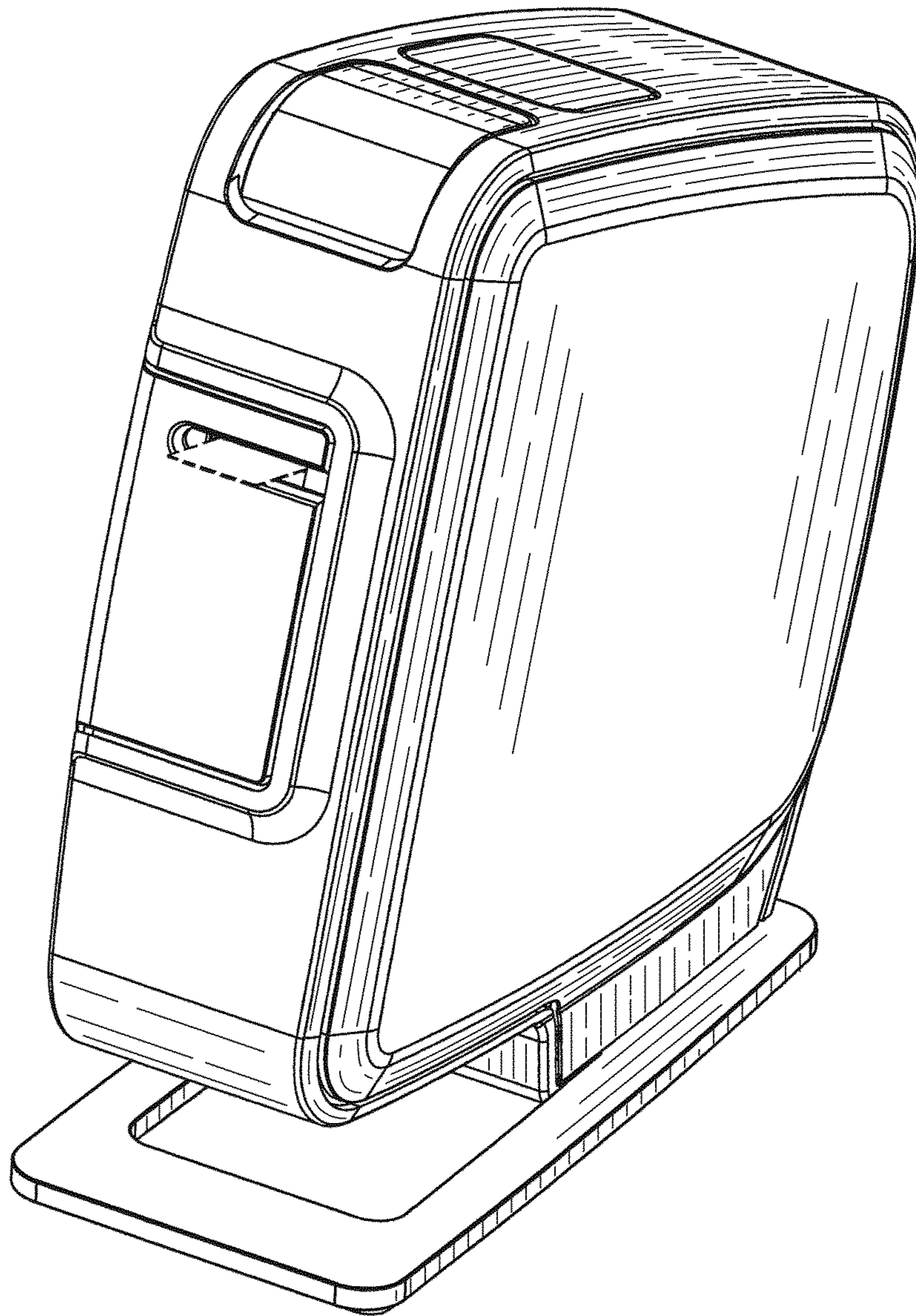


FIG. 1

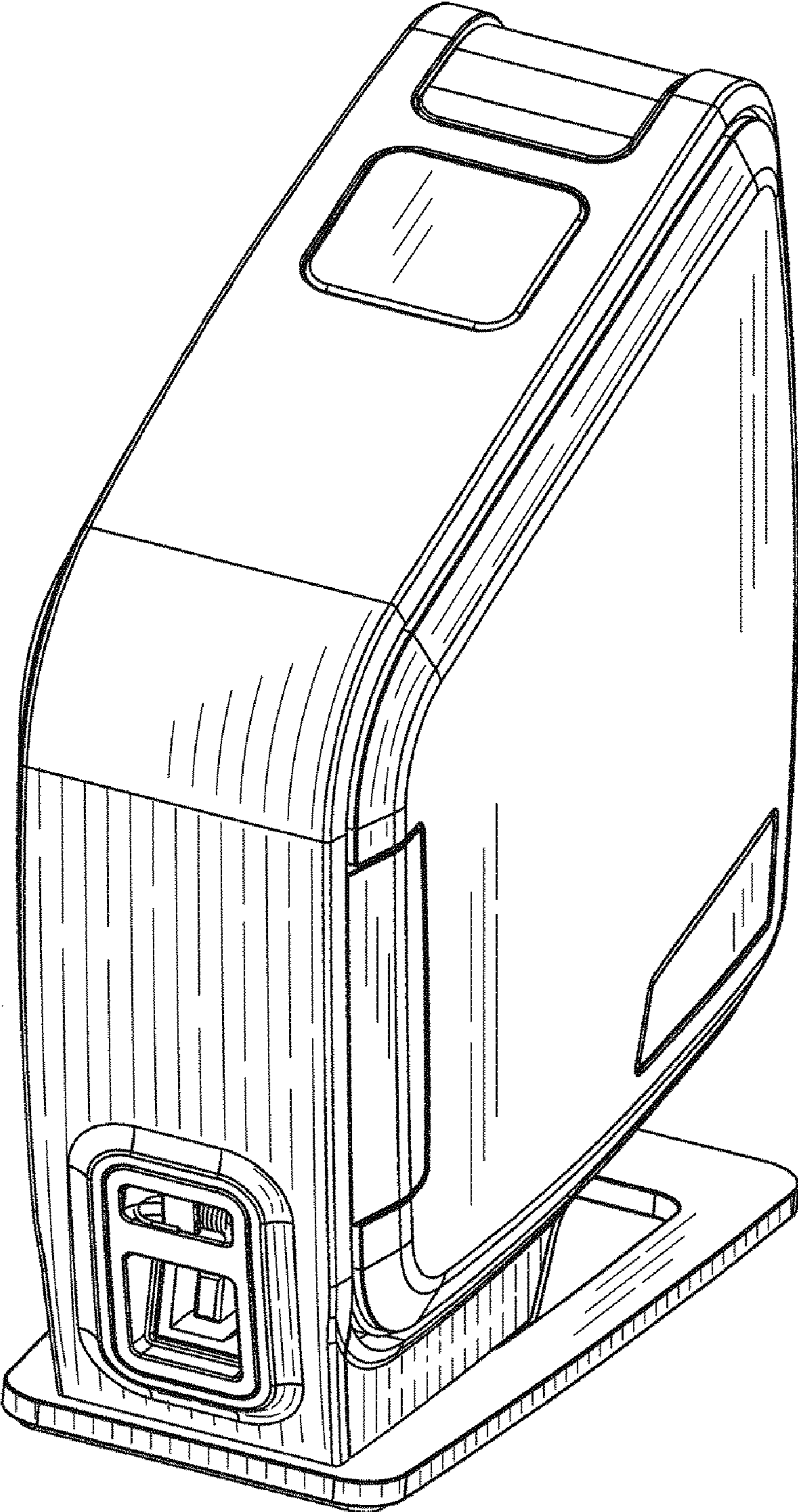


FIG. 2

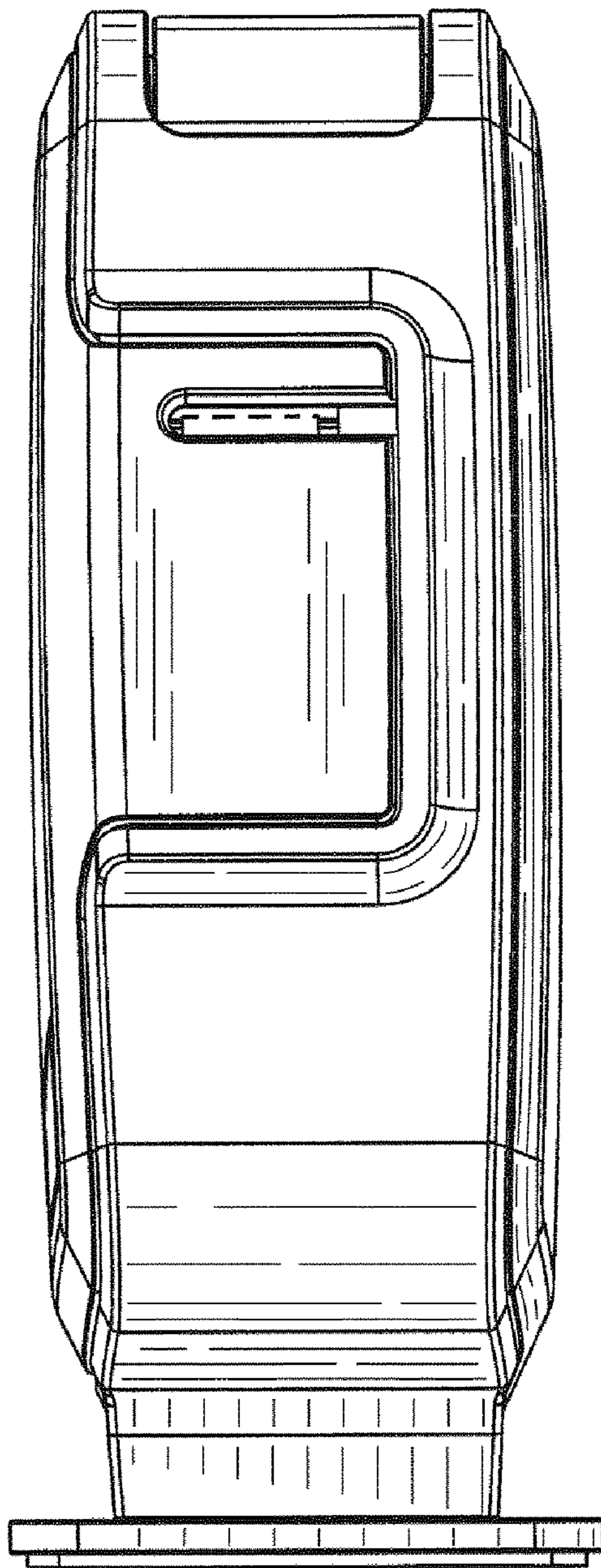


FIG. 3

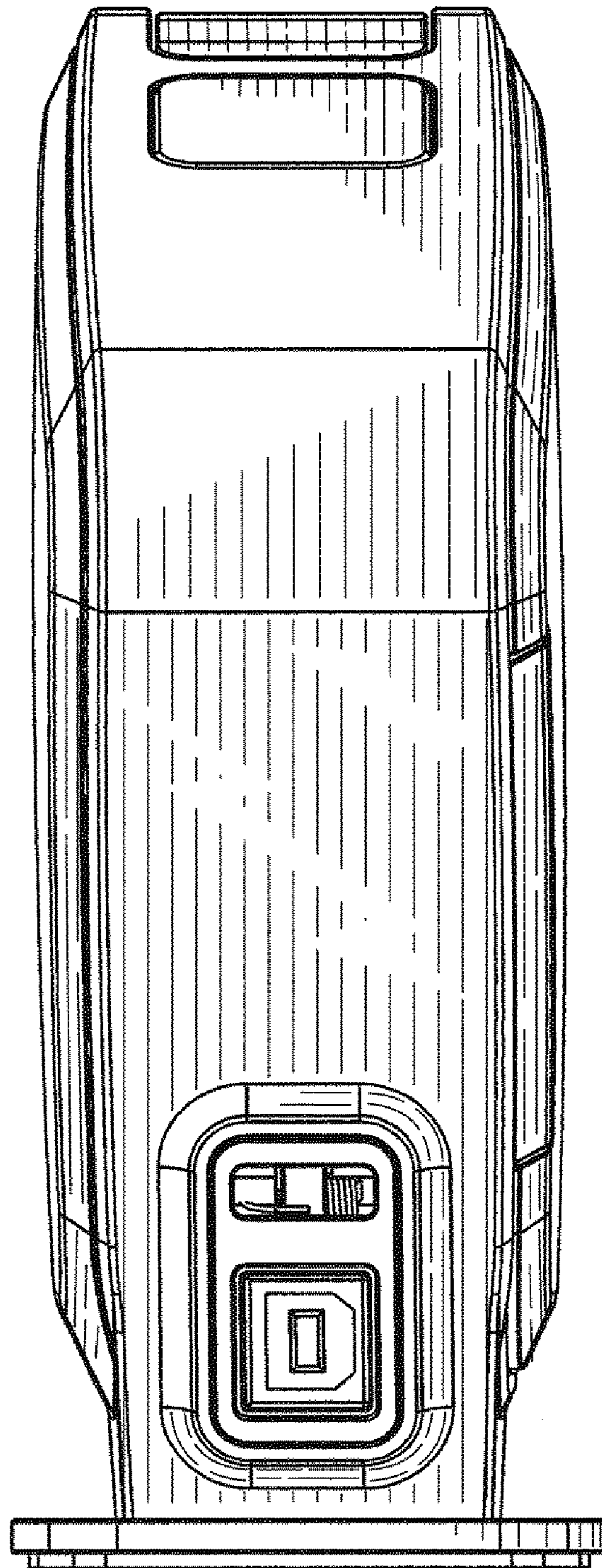


FIG. 4

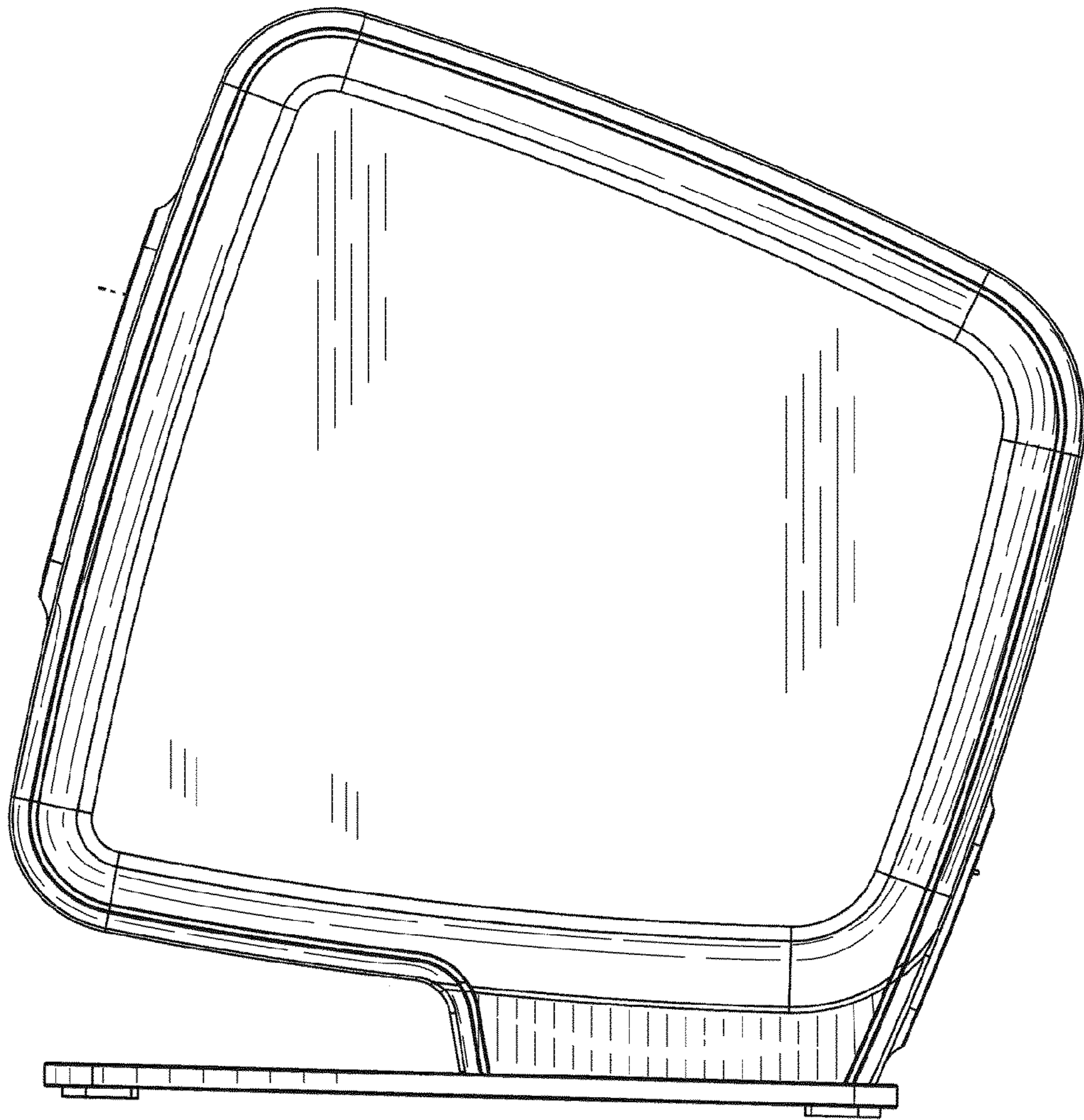


FIG. 5

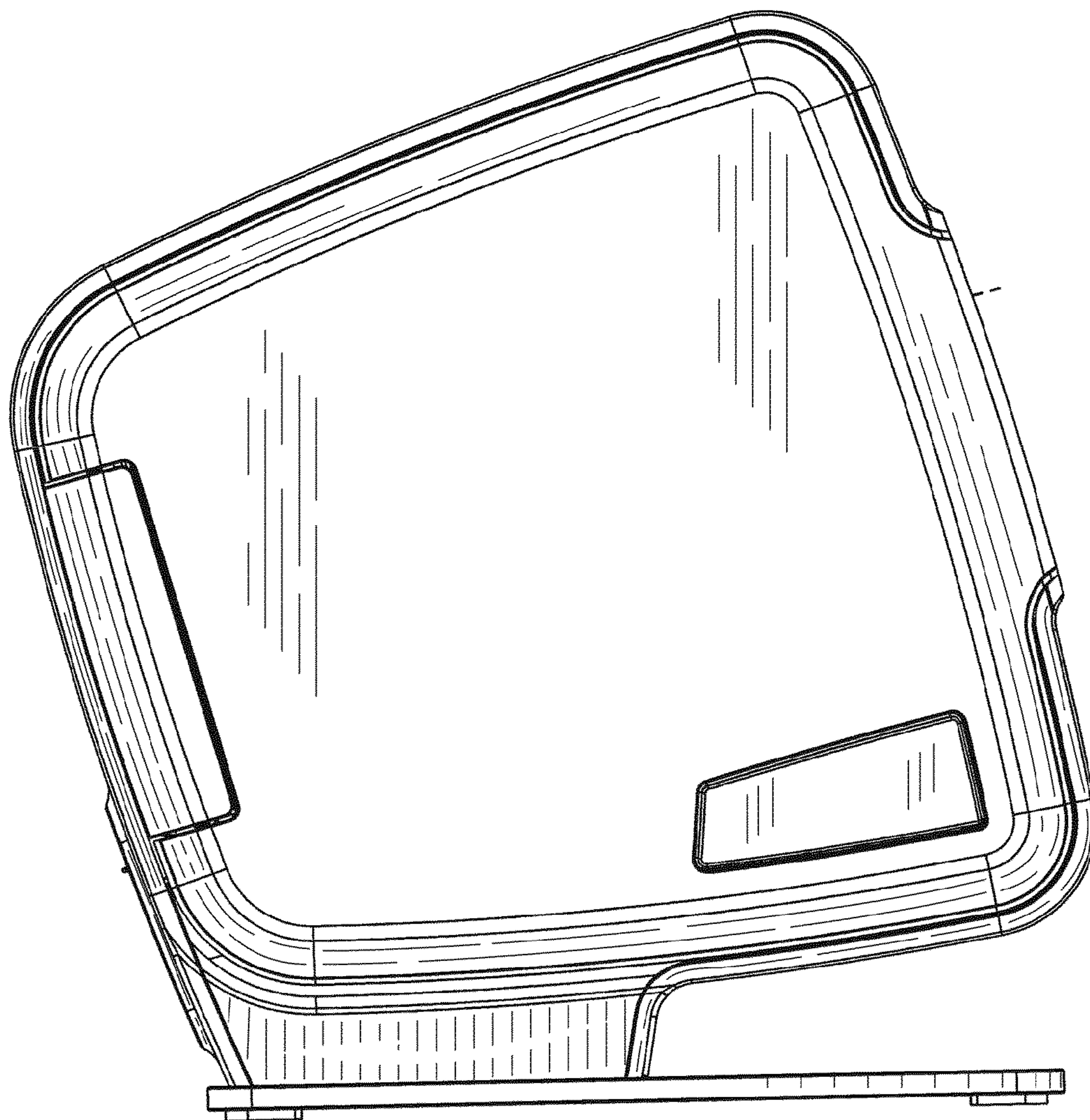


FIG. 6

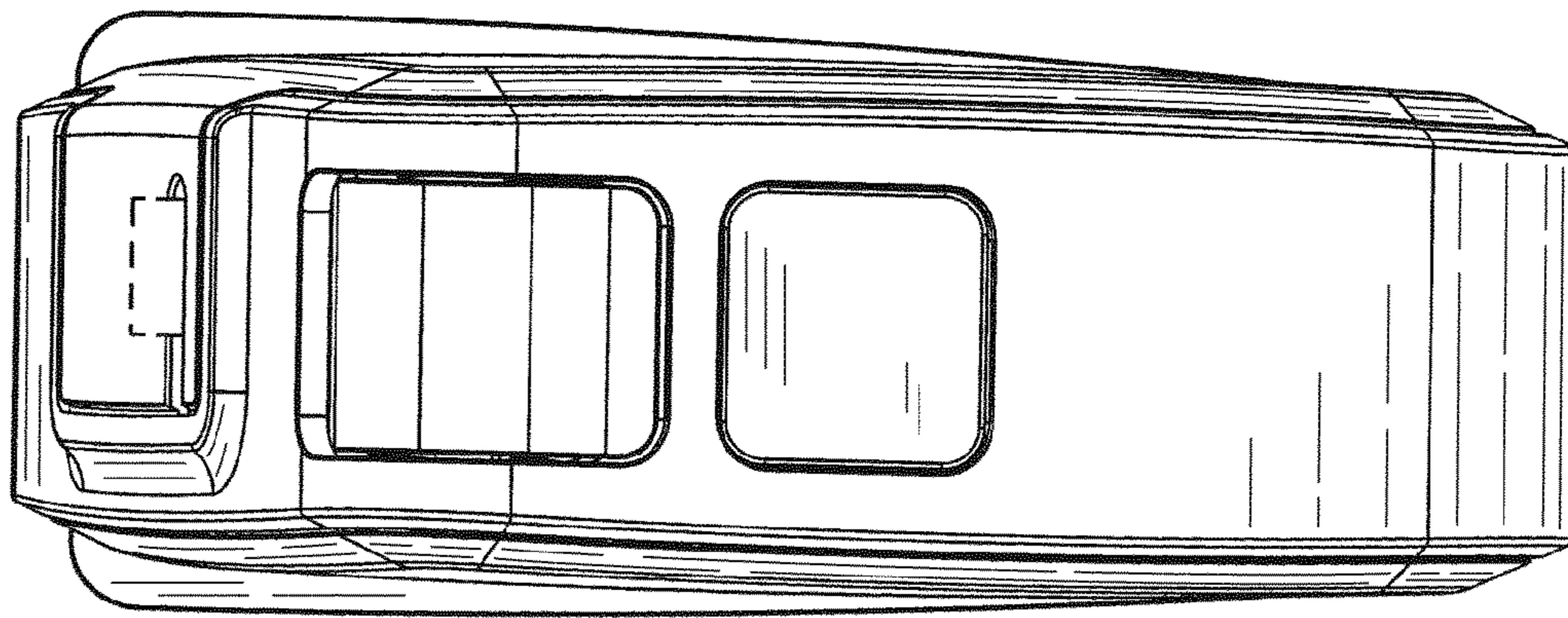


FIG. 7