



US00D656534S

(12) **United States Design Patent**
Geller

(10) **Patent No.:** **US D656,534 S**

(45) **Date of Patent:** **** Mar. 27, 2012**

(54) **CAMERA ACCESSORY**

(76) Inventor: **Wolfgang-Peter Geller**, Garlstorf (DE)

(**) Term: **14 Years**

(21) Appl. No.: **29/389,723**

(22) Filed: **Apr. 15, 2011**

(30) **Foreign Application Priority Data**

Nov. 5, 2010 (EP) 001777756-0001

(51) **LOC (9) Cl.** **16-05**

(52) **U.S. Cl.** **D16/242**

(58) **Field of Classification Search** D16/242,
D16/244, 245; 248/177.1, 187.1; 352/243;
396/419, 421, 428

See application file for complete search history.

(56) **References Cited**

U.S. PATENT DOCUMENTS

6,880,791 B1 * 4/2005 Lin 248/231.61
7,185,862 B1 * 3/2007 Yang 248/187.1
7,389,964 B2 * 6/2008 Ye 396/419

D575,321 S * 8/2008 van Kuijk D16/235
D607,038 S * 12/2009 Carlesso D16/245
7,985,030 B1 * 7/2011 Chou 396/428
8,006,946 B2 * 8/2011 Bonnema 248/177.1
2010/0266271 A1 * 10/2010 Carlesso et al. 396/428

* cited by examiner

Primary Examiner — Adir Aronovich

(74) *Attorney, Agent, or Firm* — Sand & Sebolt

(57) **CLAIM**

The ornamental design for a camera accessory, as shown and described.

DESCRIPTION

FIG. 1 is a top perspective view of the camera accessory in accordance with the present design;
FIG. 2 is a bottom perspective view thereof;
FIG. 3 is a top plan view thereof;
FIG. 4 is front elevational view thereof, the undisclosed rear view is a mirror image of the front view;
FIG. 5 is left side elevational view thereof, the undisclosed right side view is a mirror image of the left side view; and,
FIG. 6 is a bottom plan view thereof.

1 Claim, 2 Drawing Sheets

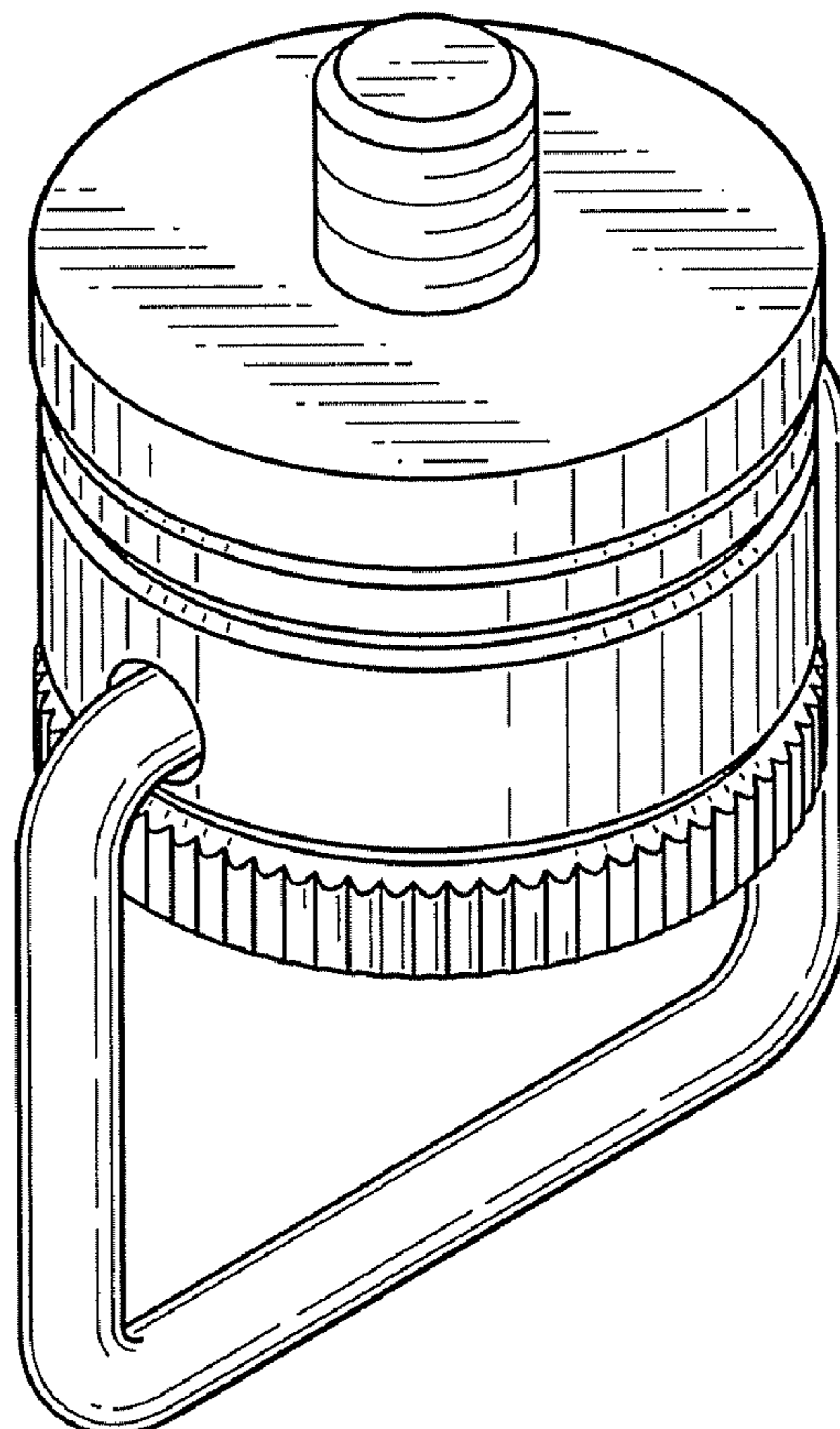
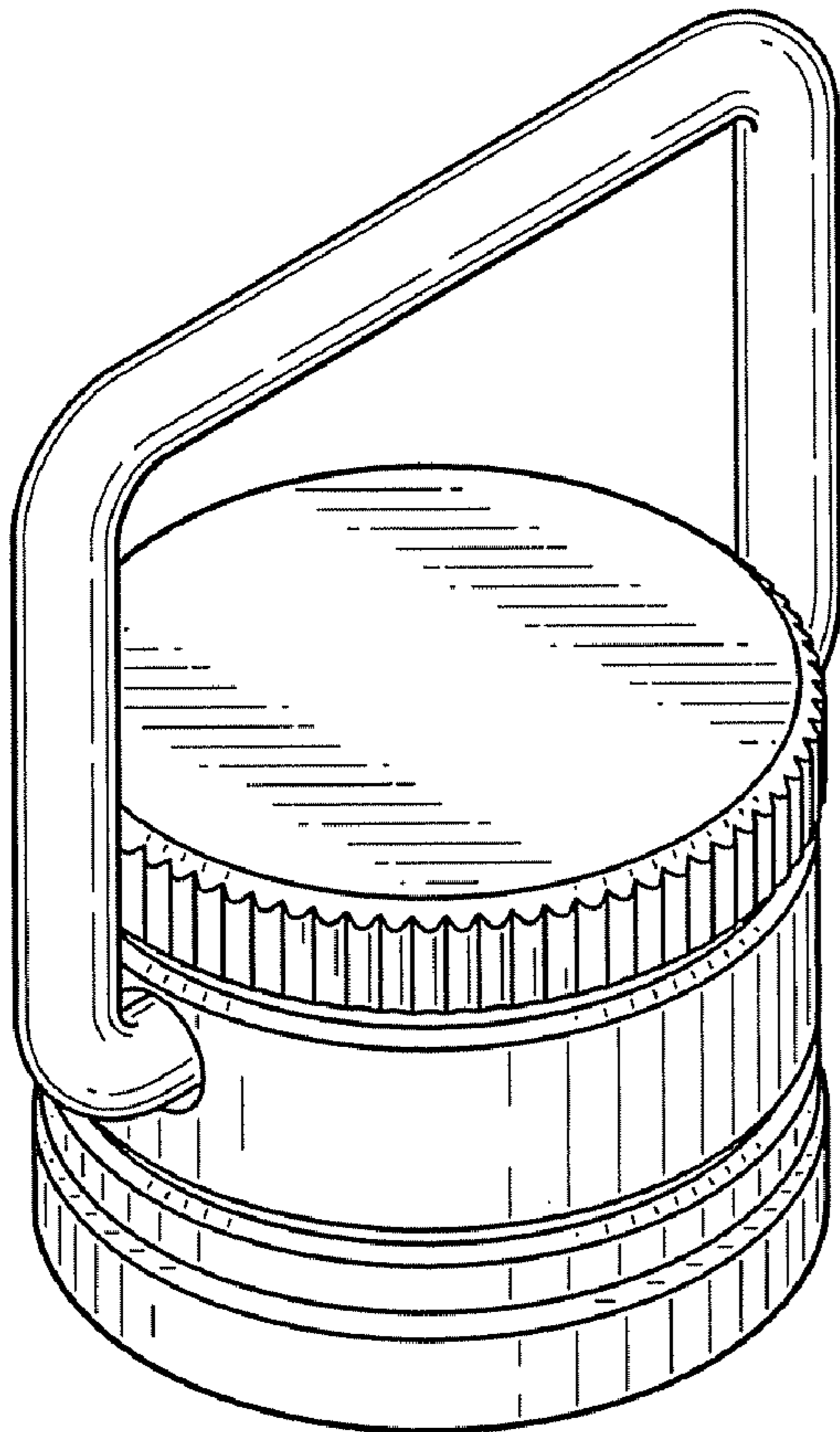


FIG-1

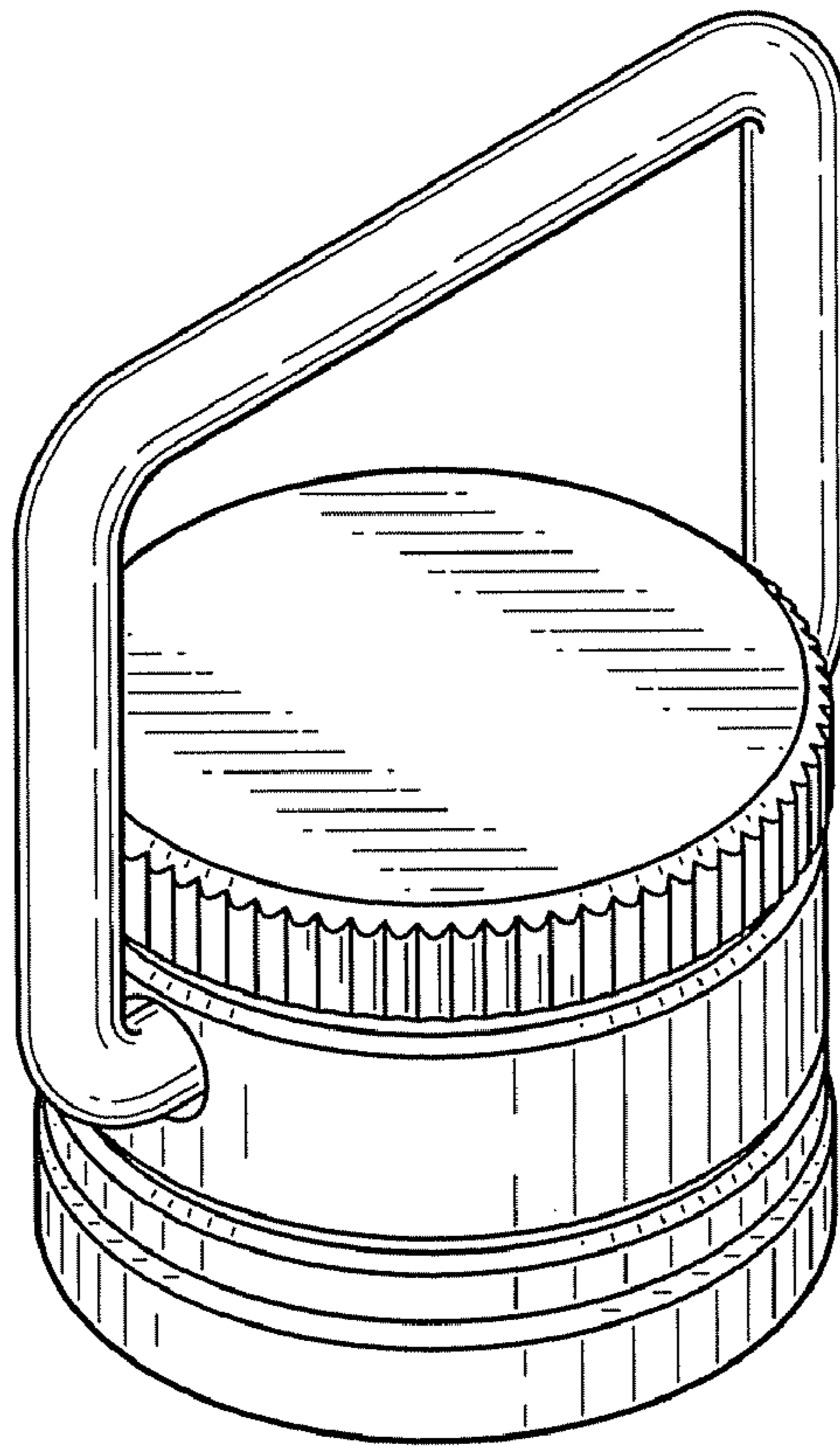
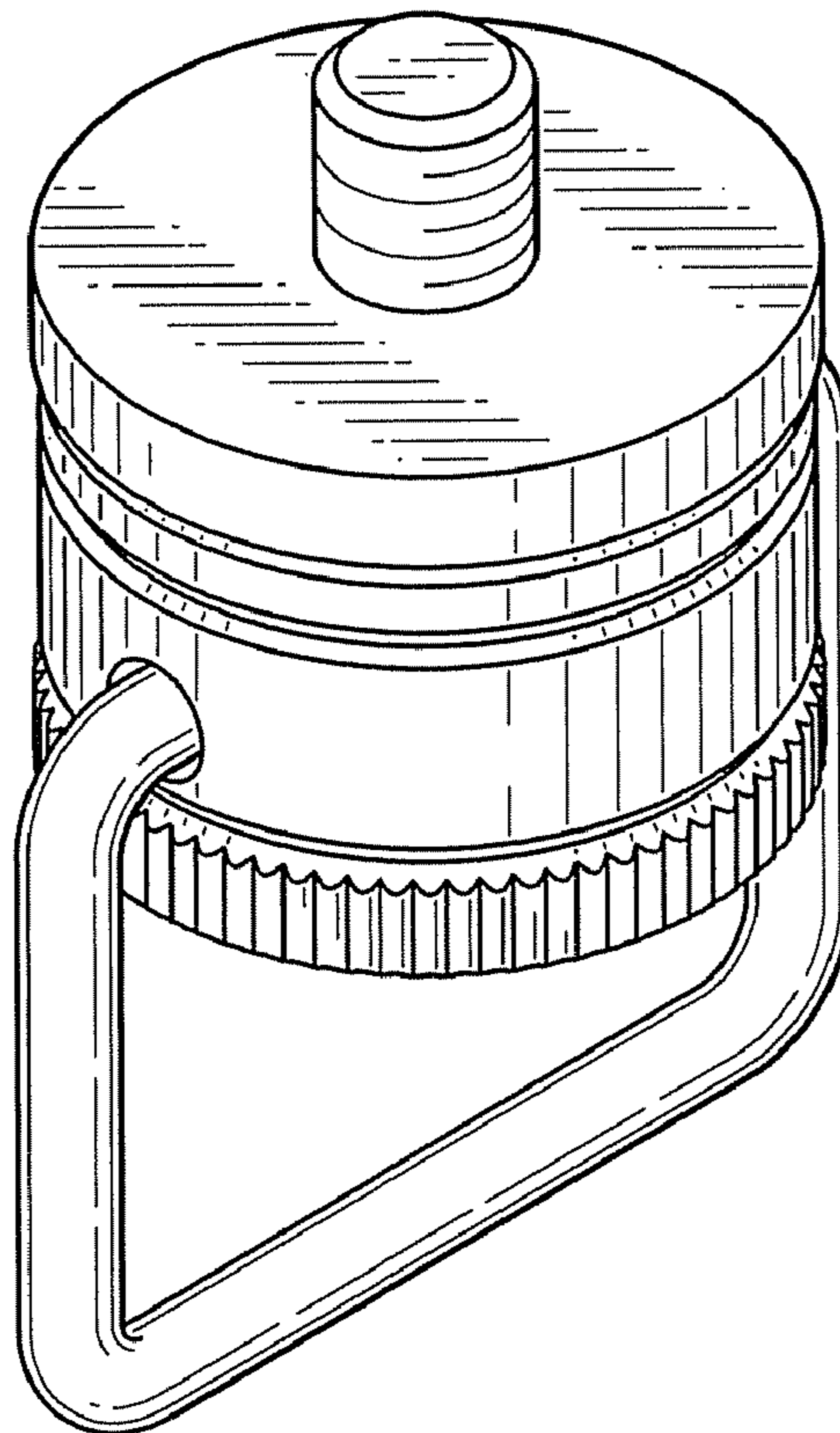


FIG-2



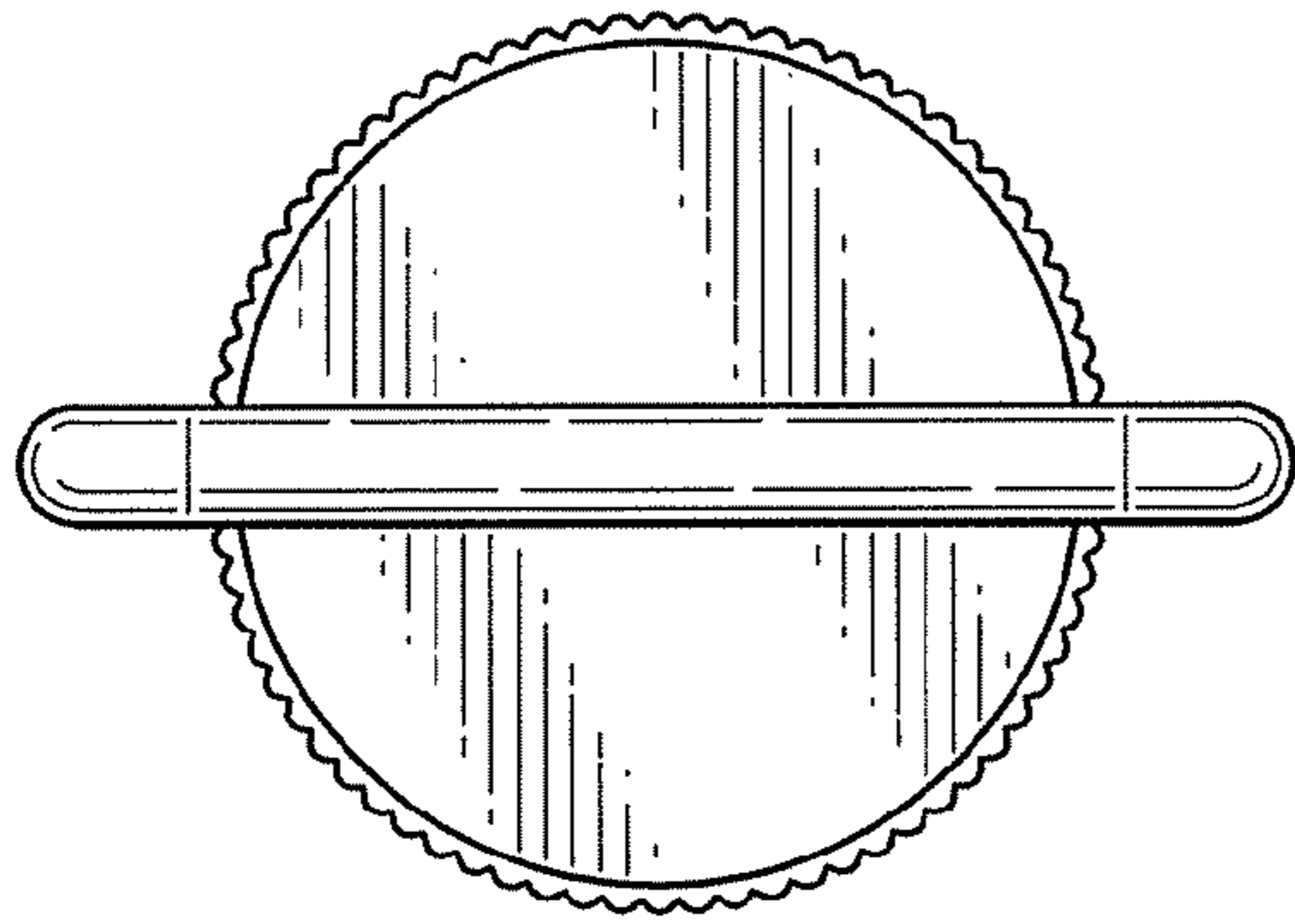


FIG-3

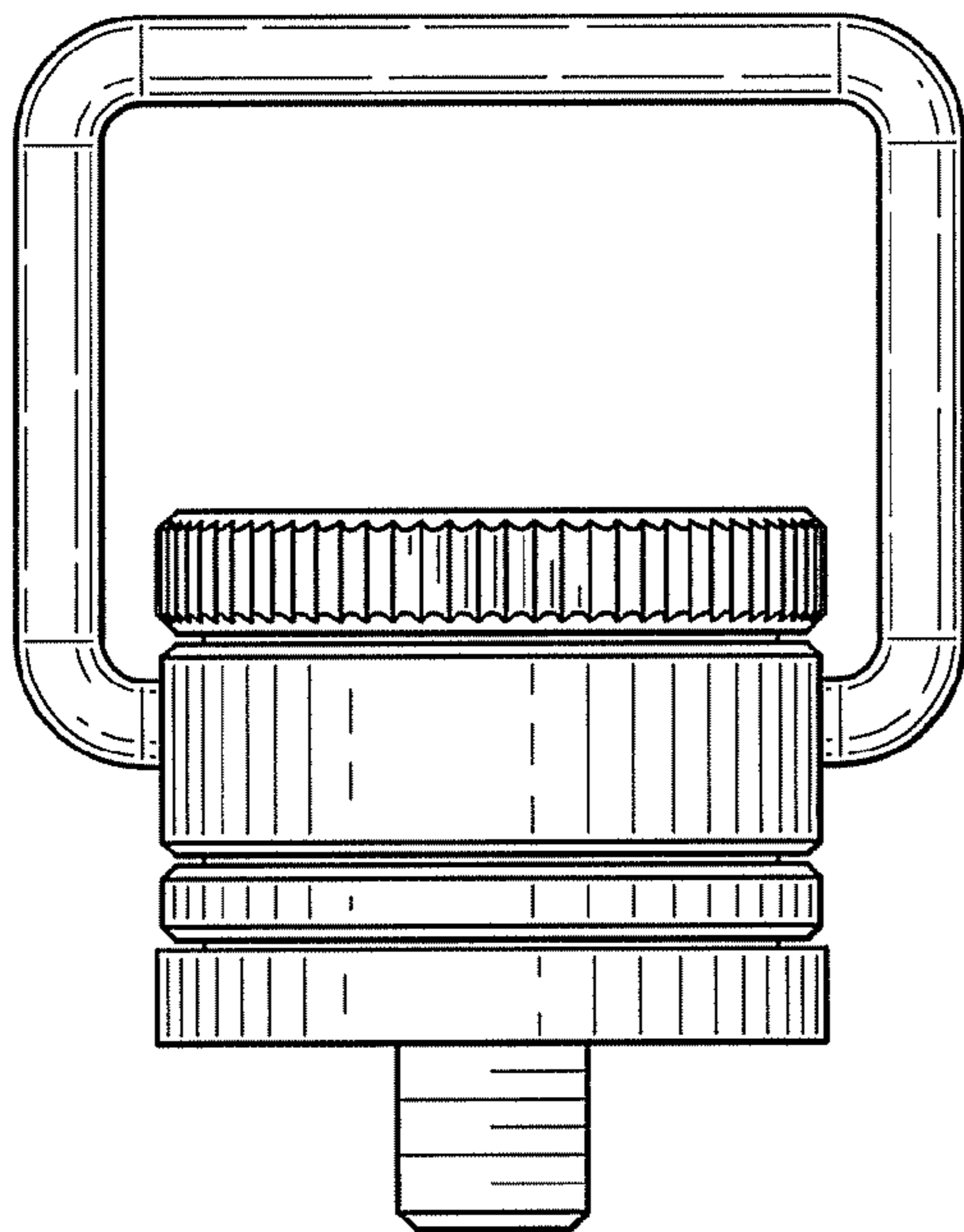


FIG-4

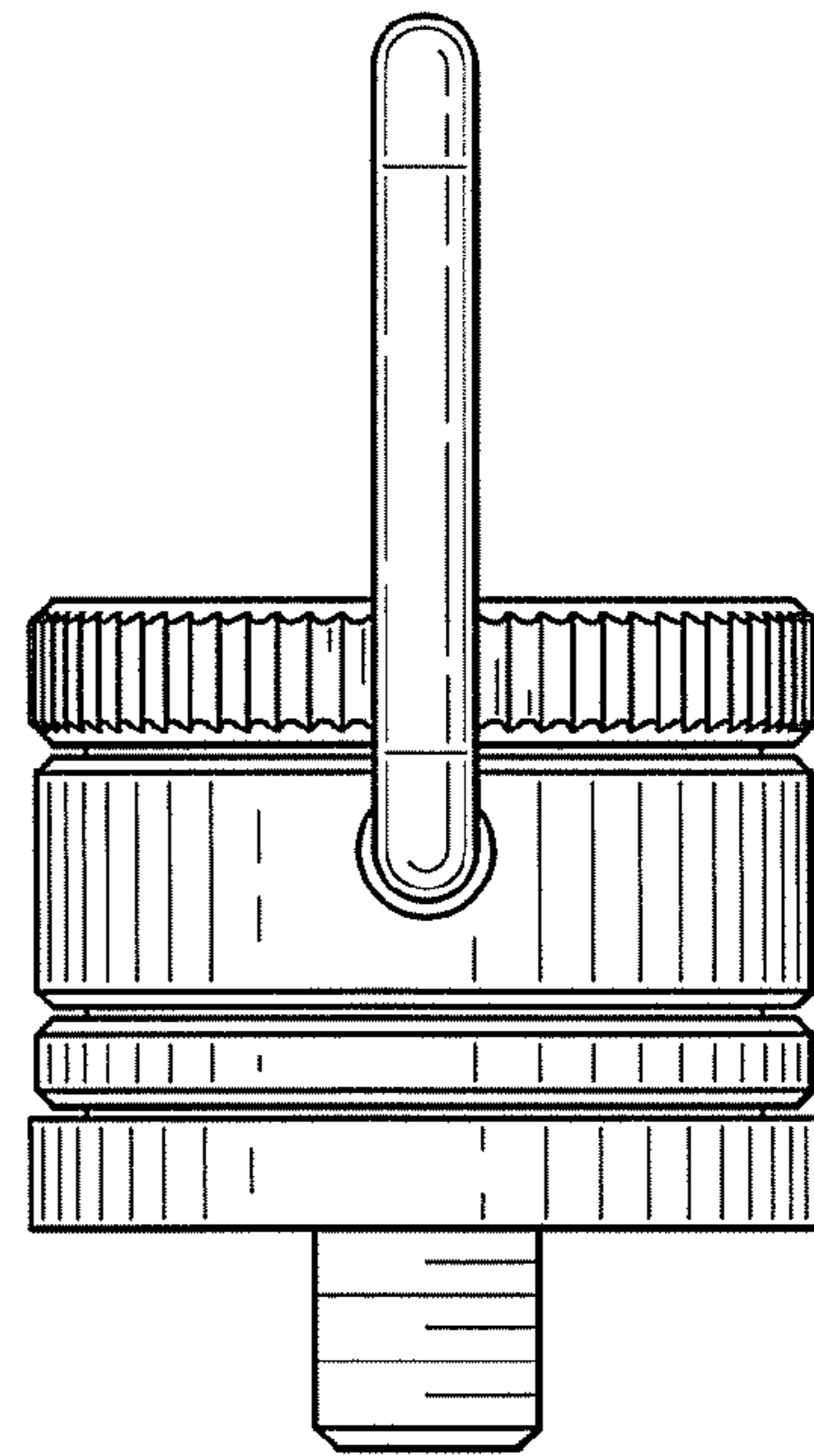


FIG-5

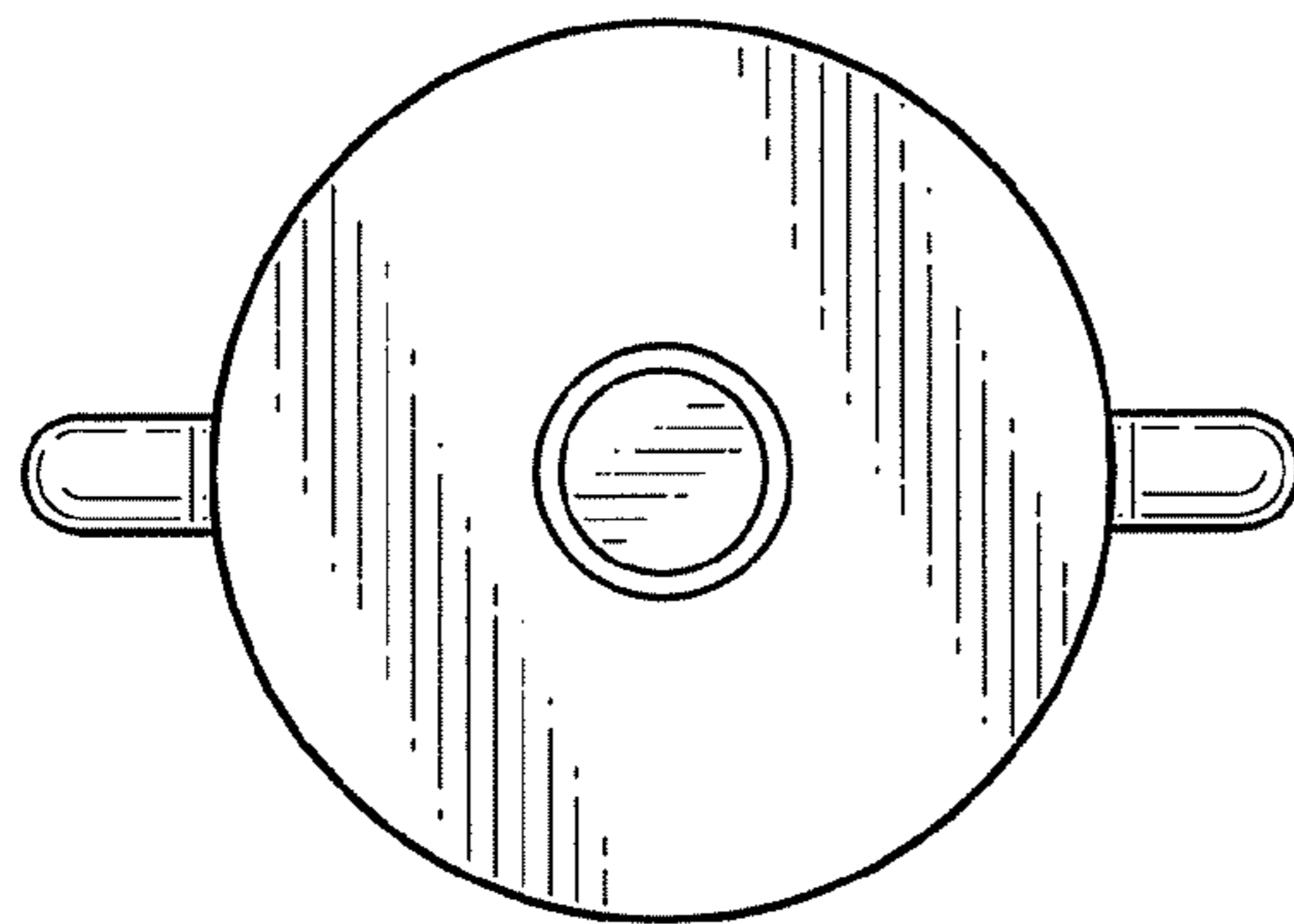


FIG-6