

US00D656533S

(12) **United States Design Patent**
Dordick

(10) **Patent No.:** **US D656,533 S**

(45) **Date of Patent:** **** Mar. 27, 2012**

(54) **CAMERA MOUNT**

(76) Inventor: **Scott D. Dordick**, La Verne, CA (US)

(**) Term: **14 Years**

(21) Appl. No.: **29/374,466**

(22) Filed: **Aug. 16, 2011**

(51) **LOC (9) Cl.** **16-05**

(52) **U.S. Cl.** **D16/242**

(58) **Field of Classification Search** D16/237,
D16/242, 244, 245; 248/176.1, 177.1, 185.1,
248/187.1; 352/343; 396/419, 428
See application file for complete search history.

(56) **References Cited**

U.S. PATENT DOCUMENTS

4,979,709 A * 12/1990 Ishikawa 248/187.1
D323,339 S * 1/1992 Ishikawa D16/245
D483,789 S * 12/2003 Dordick D16/245

7,077,582 B2 * 7/2006 Johnson 396/428
D564,567 S * 3/2008 Dordick D16/242
D591,325 S * 4/2009 Dordick D16/242
D643,057 S * 8/2011 Mendoza et al. D16/242
D649,576 S * 11/2011 Jannard et al. D16/242

* cited by examiner

Primary Examiner — Adir Aronovich

(57) **CLAIM**

The ornamental design for a camera mount, as shown.

DESCRIPTION

FIG. 1 is a front perspective view of a camera mount showing my new design;

FIG. 2 is a front elevational view thereof;

FIG. 3 is a rear elevational view thereof;

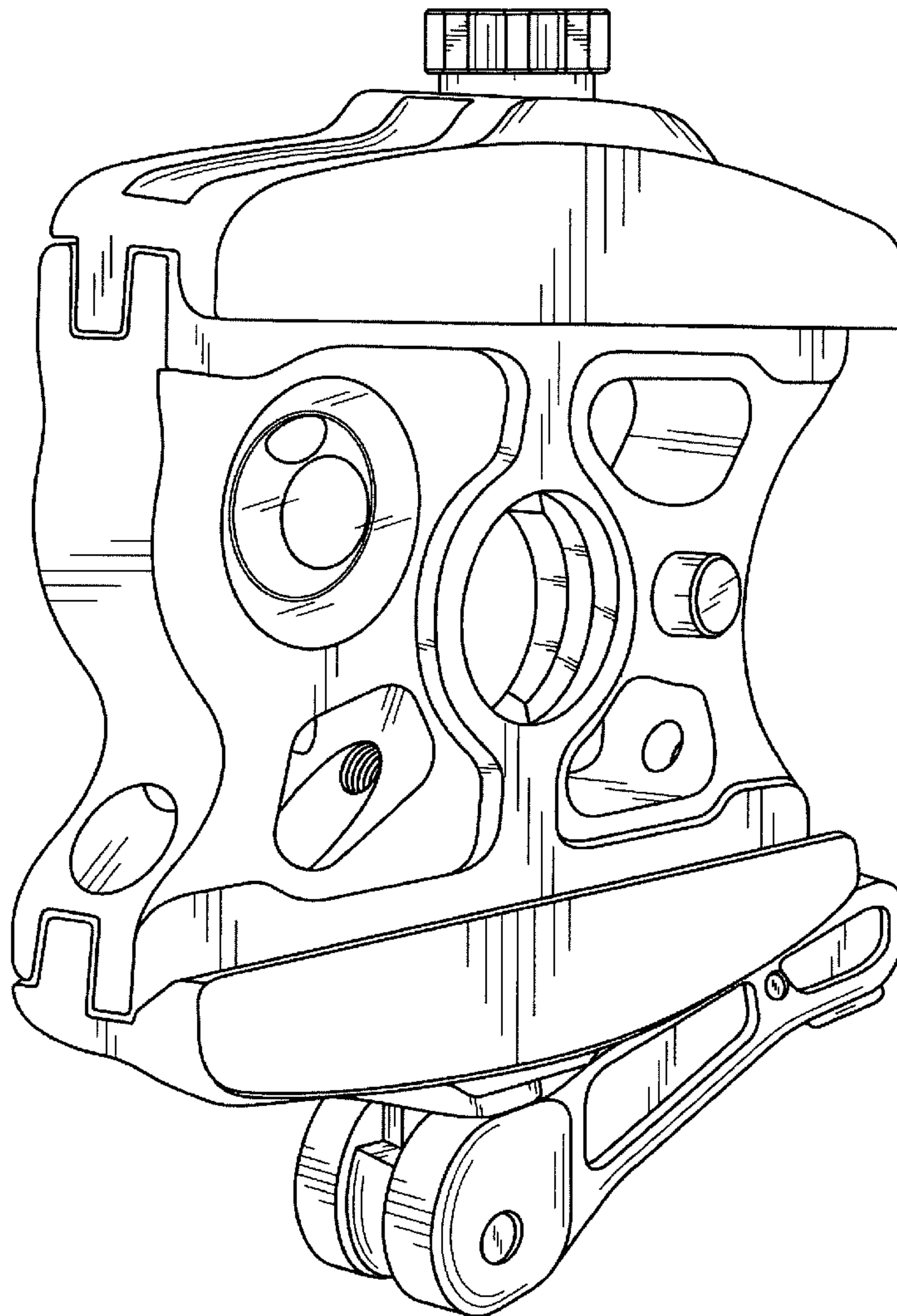
FIG. 4 is a top plan view thereof;

FIG. 5 is a bottom plan view thereof;

FIG. 6 is right side elevational view thereof; and,

FIG. 7 is a left side elevational view thereof.

1 Claim, 5 Drawing Sheets



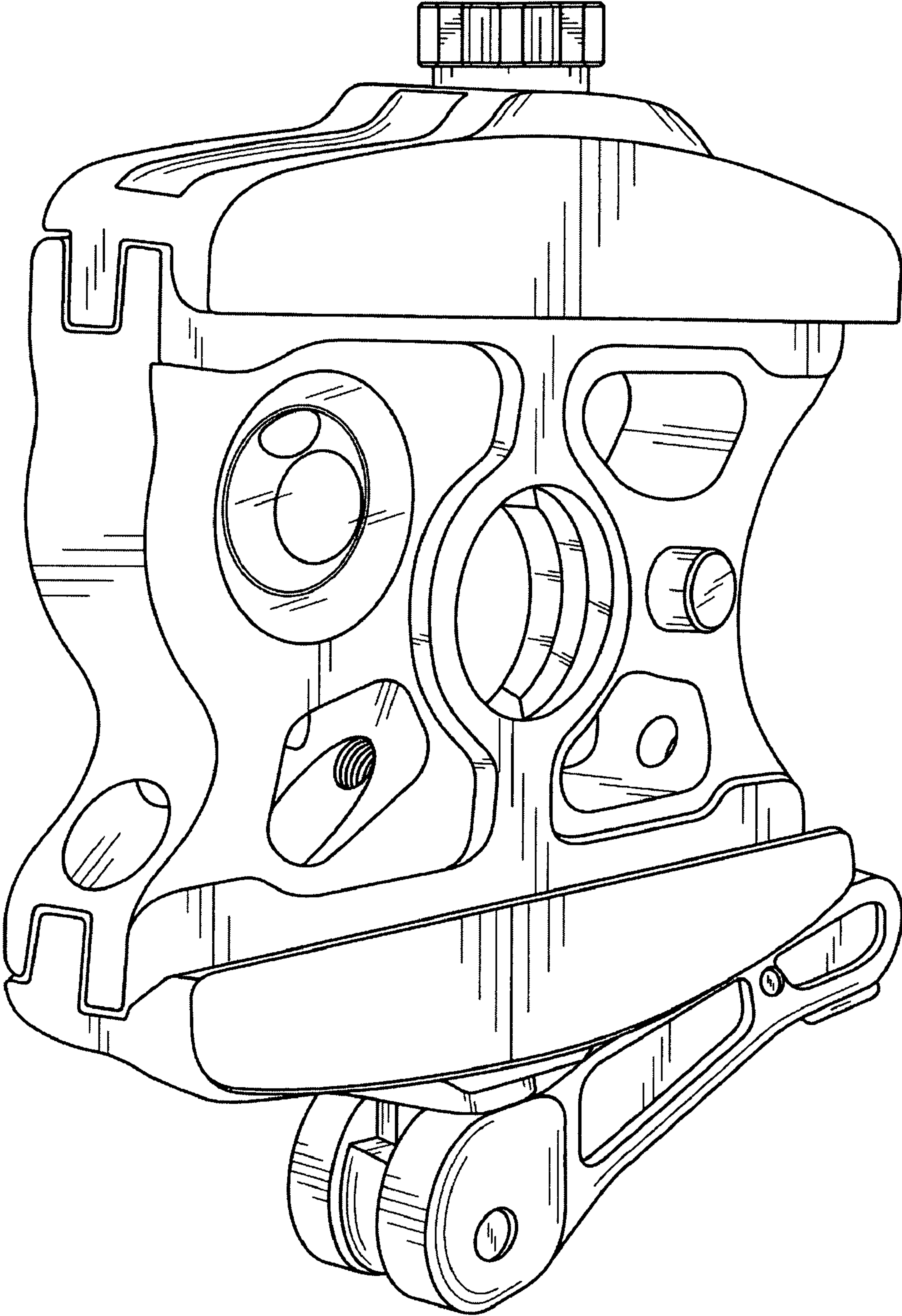


FIG. 1

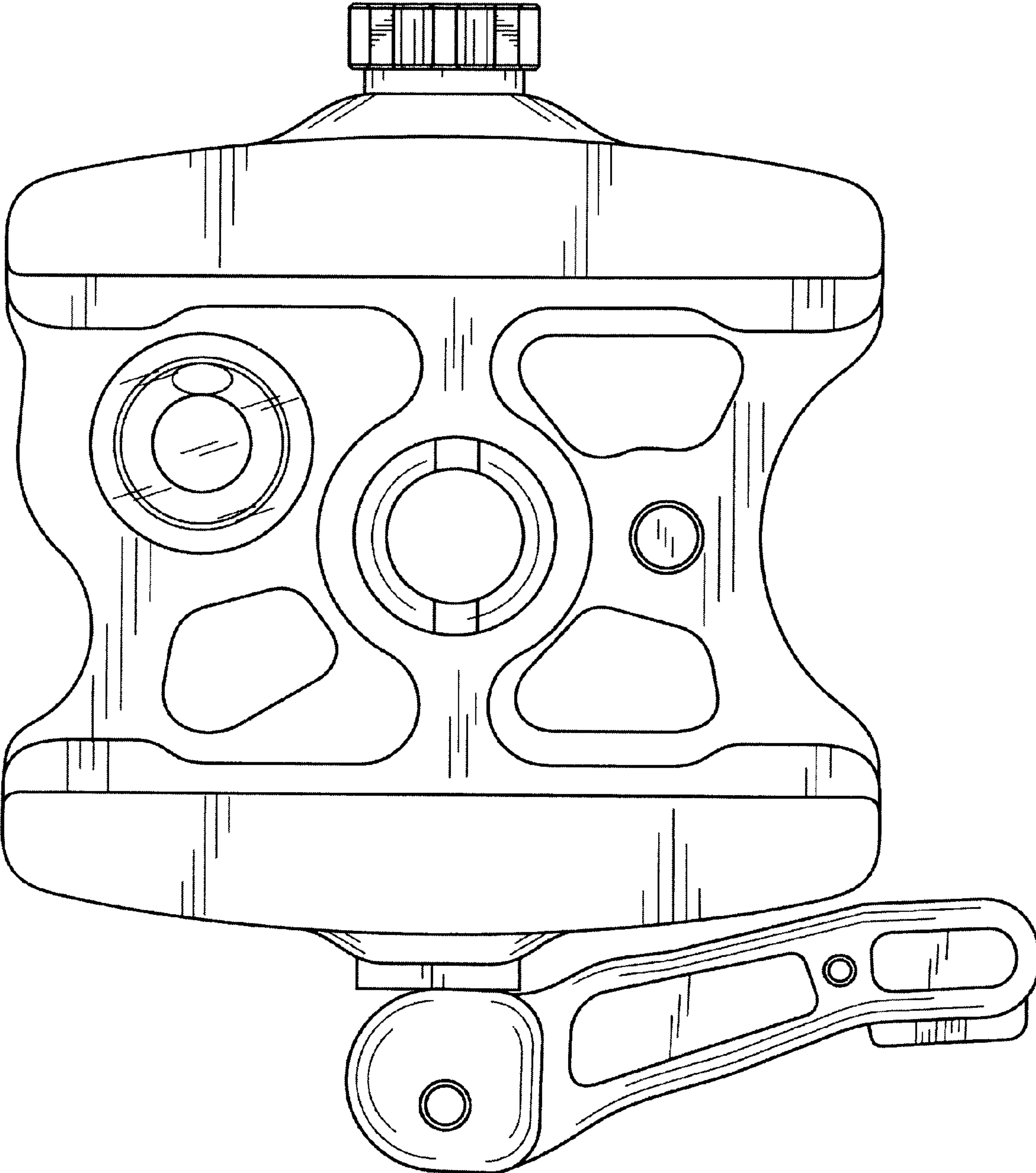


FIG. 2

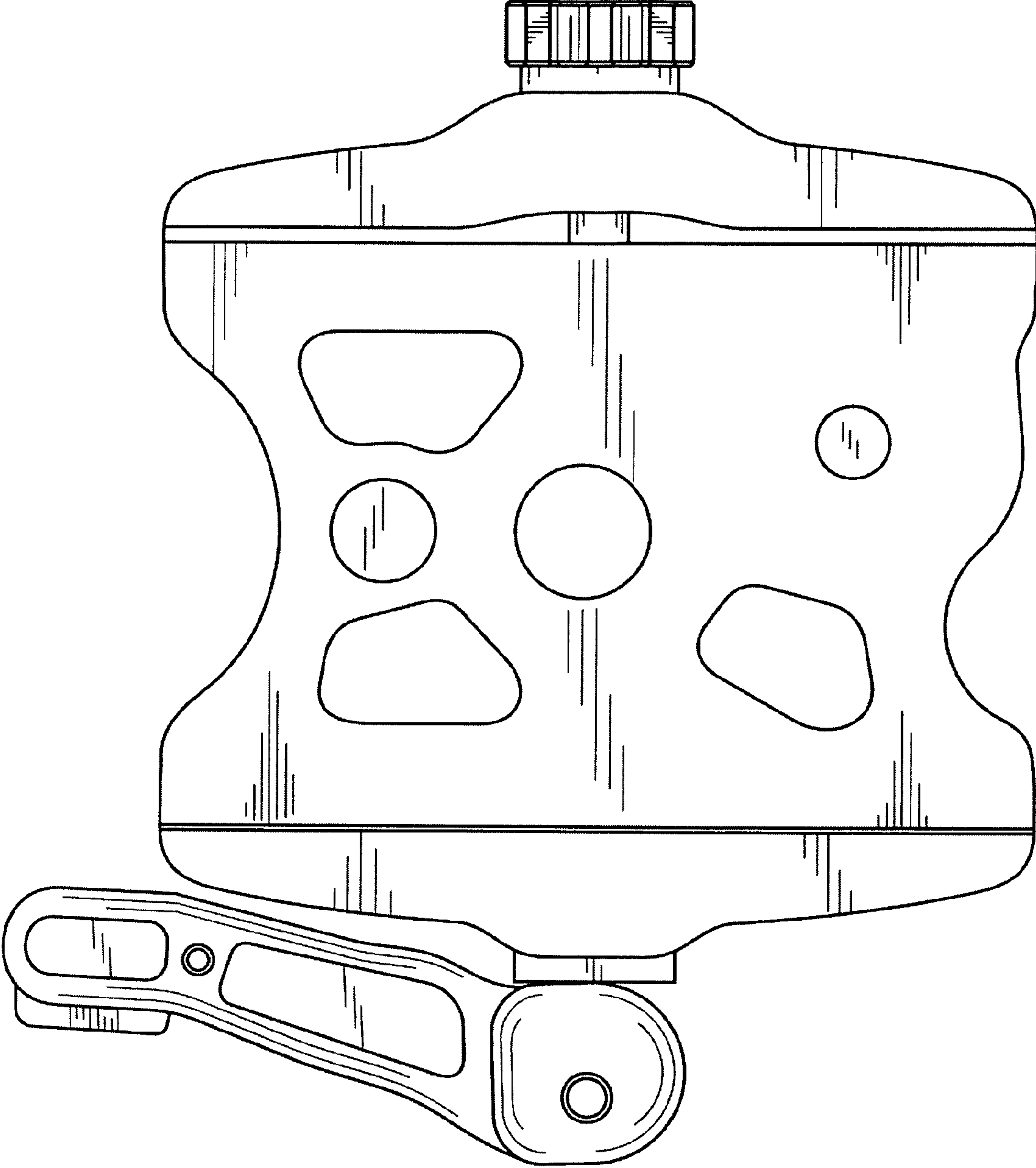


FIG. 3

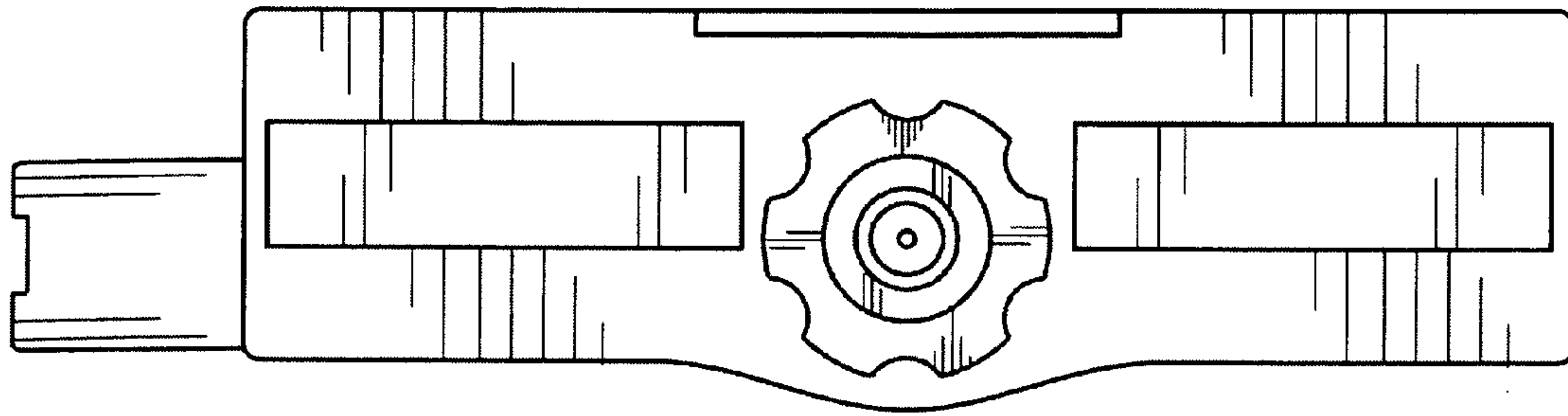


FIG. 4

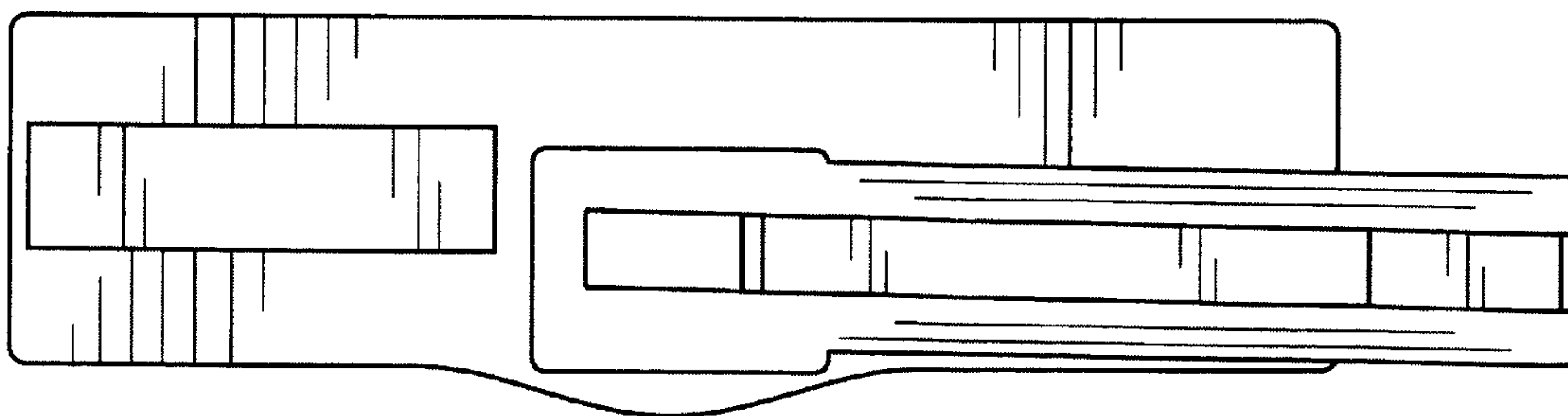


FIG. 5

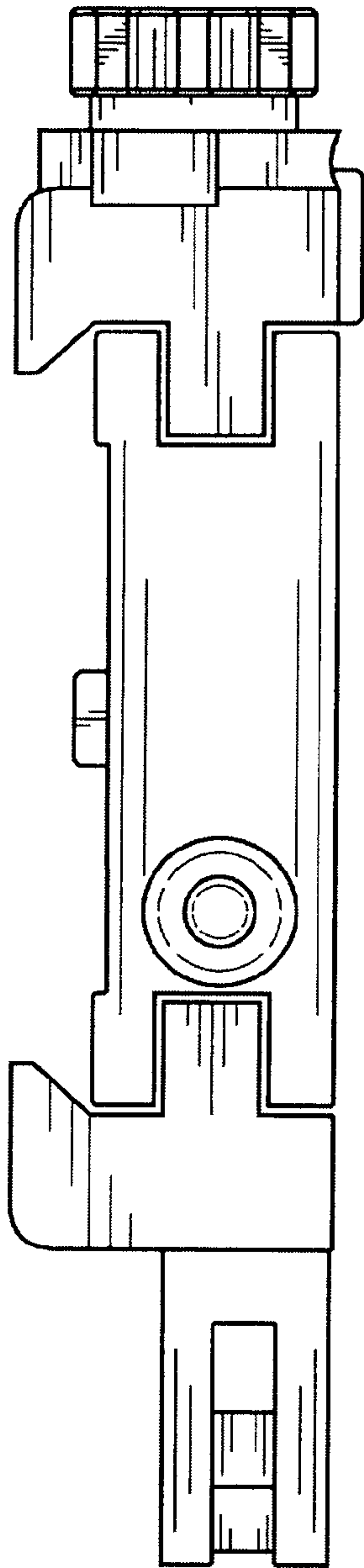


FIG. 6

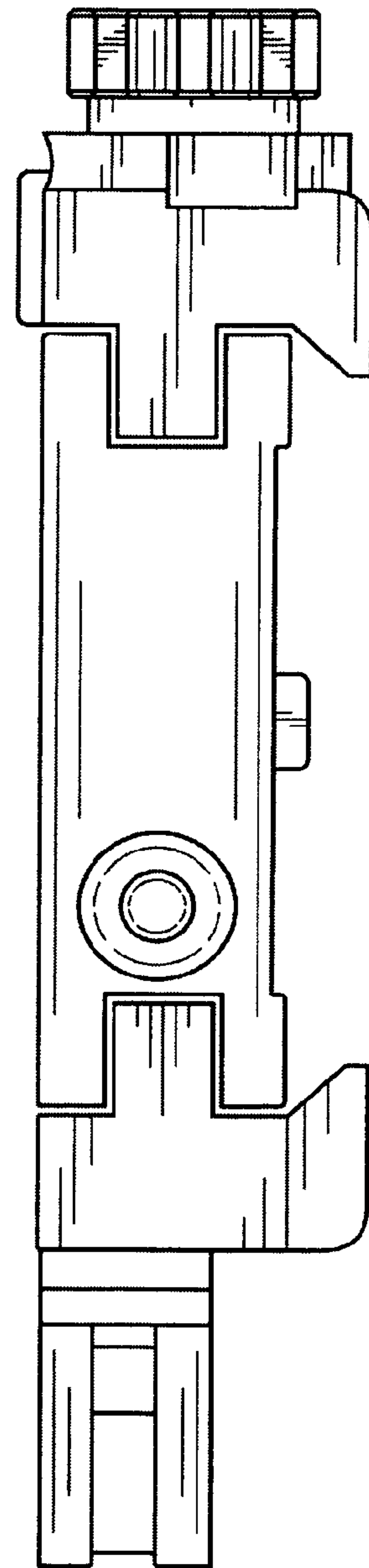


FIG. 7