

US00D656531S

(12) **United States Design Patent**
Ahn et al.

(10) **Patent No.:** **US D656,531 S**
(45) **Date of Patent:** **** Mar. 27, 2012**

(54) **WEBCAM**

(75) Inventors: **Hyuntae Ahn**, Seoul (KR); **Byungmu Huh**, Seoul (KR); **Yongjoon Hwang**, Seoul (KR)

(73) Assignee: **LG Electronics Inc.**, Seoul (KR)

(**) Term: **14 Years**

(21) Appl. No.: **29/393,730**

(22) Filed: **Jun. 8, 2011**

(30) **Foreign Application Priority Data**

Dec. 15, 2010 (KR) 30-2010-0054506

(51) **LOC (9) Cl.** **16-01**

(52) **U.S. Cl.** **D16/202; D16/203**

(58) **Field of Classification Search** D16/200,
D16/202, 203, 208, 218, 242; 348/143, 373-376;
396/419, 427, 535-541

See application file for complete search history.

(56) **References Cited**

U.S. PATENT DOCUMENTS

D510,374 S * 10/2005 Greenwood et al. D16/203
D571,839 S * 6/2008 Andresen D16/202

D577,049 S * 9/2008 Lau et al. D16/203
D594,497 S * 6/2009 Hatori et al. D16/202
D627,811 S * 11/2010 Andresen et al. D16/202
D636,421 S * 4/2011 Sagen et al. D16/202
D645,891 S * 9/2011 Kim et al. D16/202

* cited by examiner

Primary Examiner — Adir Aronovich

(74) *Attorney, Agent, or Firm* — Birch, Stewart, Kolasch & Birch, LLP

(57) **CLAIM**

The ornamental design for a webcam, as shown and described.

DESCRIPTION

FIG. 1 is a top, front and right side perspective view of a webcam showing our new design;
FIG. 2 is a front elevational view thereof;
FIG. 3 is a rear elevational view thereof;
FIG. 4 is a left side elevational view thereof;
FIG. 5 is a right side elevational view thereof;
FIG. 6 is a top plan view thereof;
FIG. 7 is a bottom plan view thereof; and,
FIG. 8 is a bottom, front and right perspective view thereof.

1 Claim, 8 Drawing Sheets

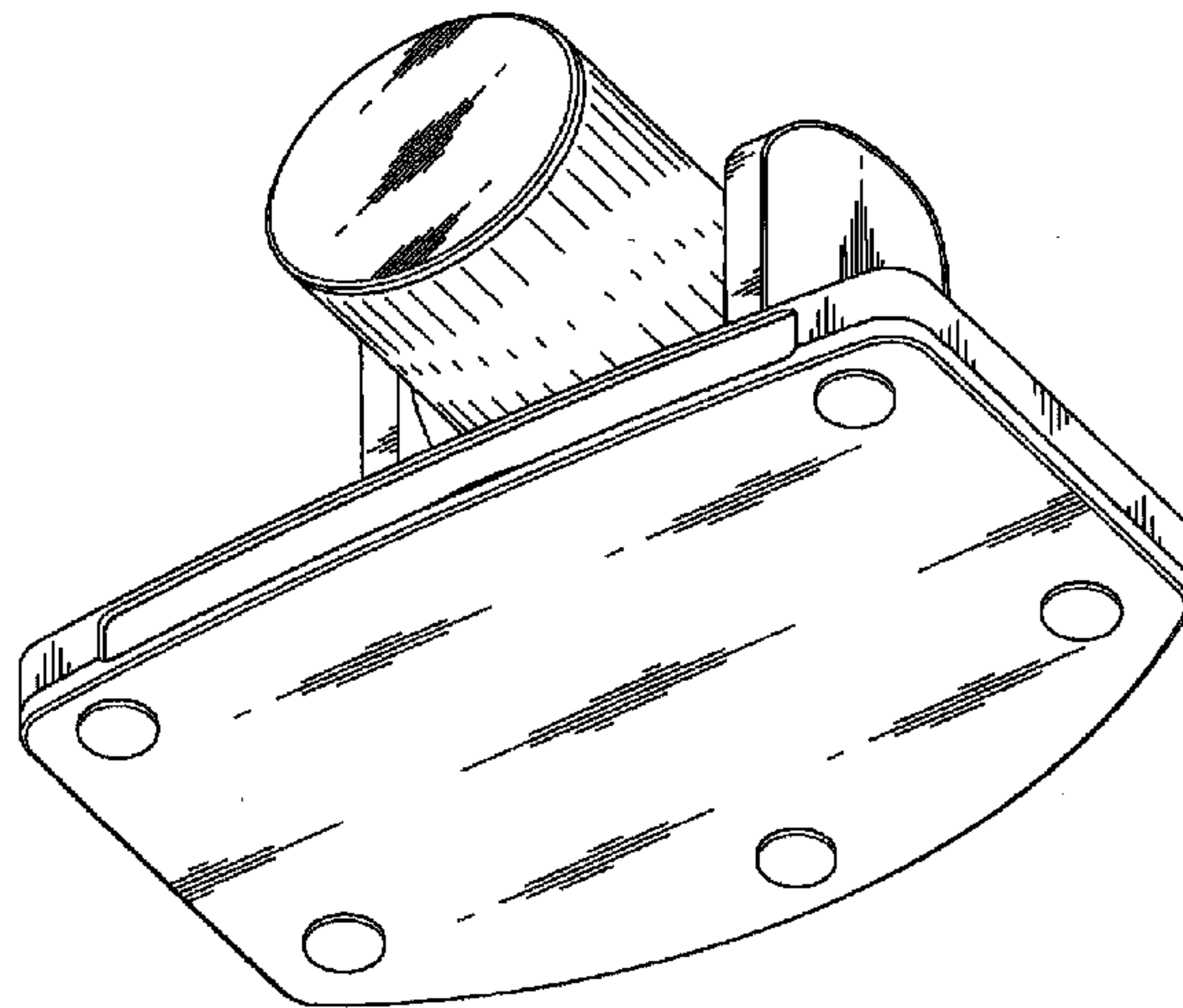
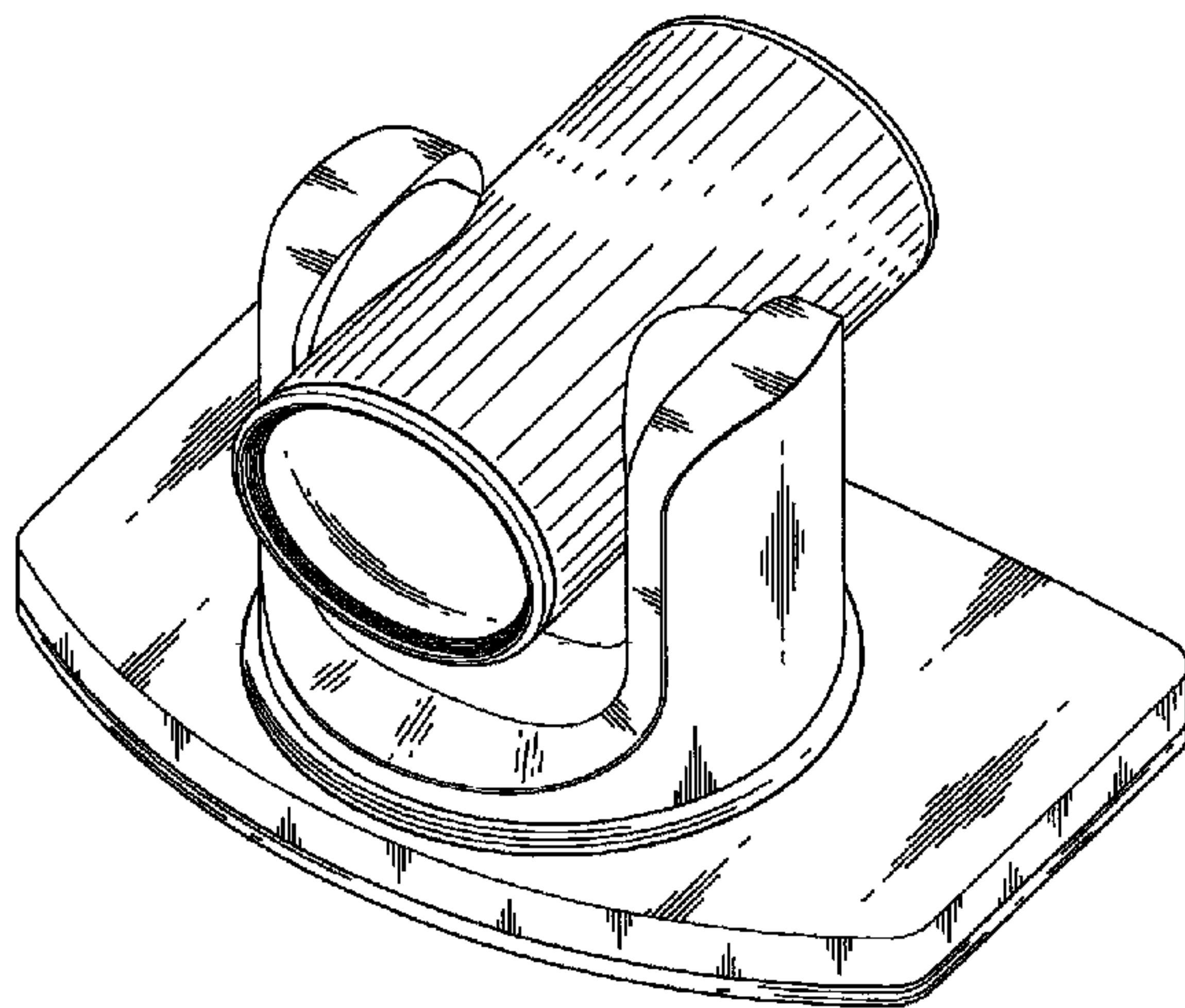


FIG. 1

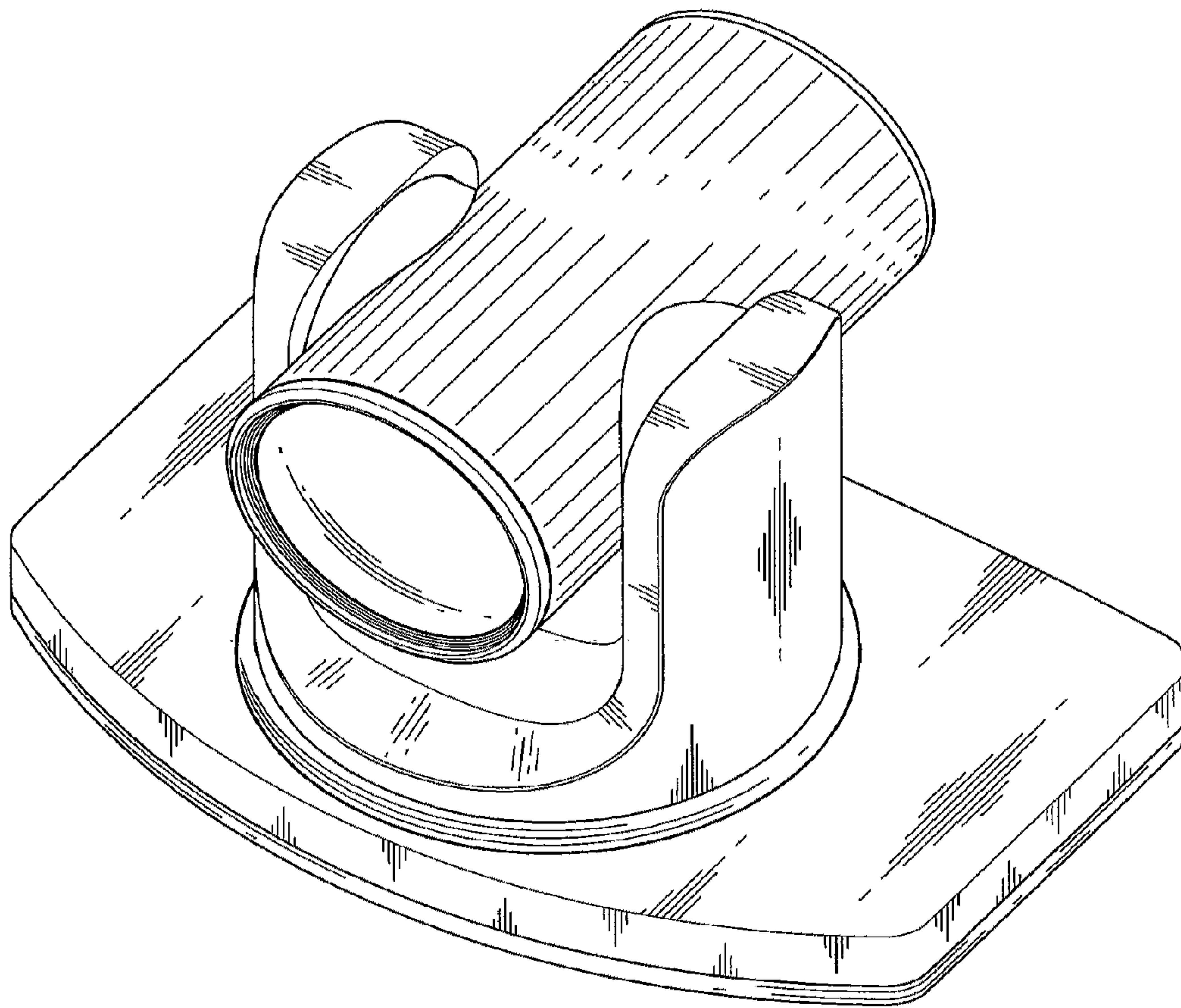


FIG. 2

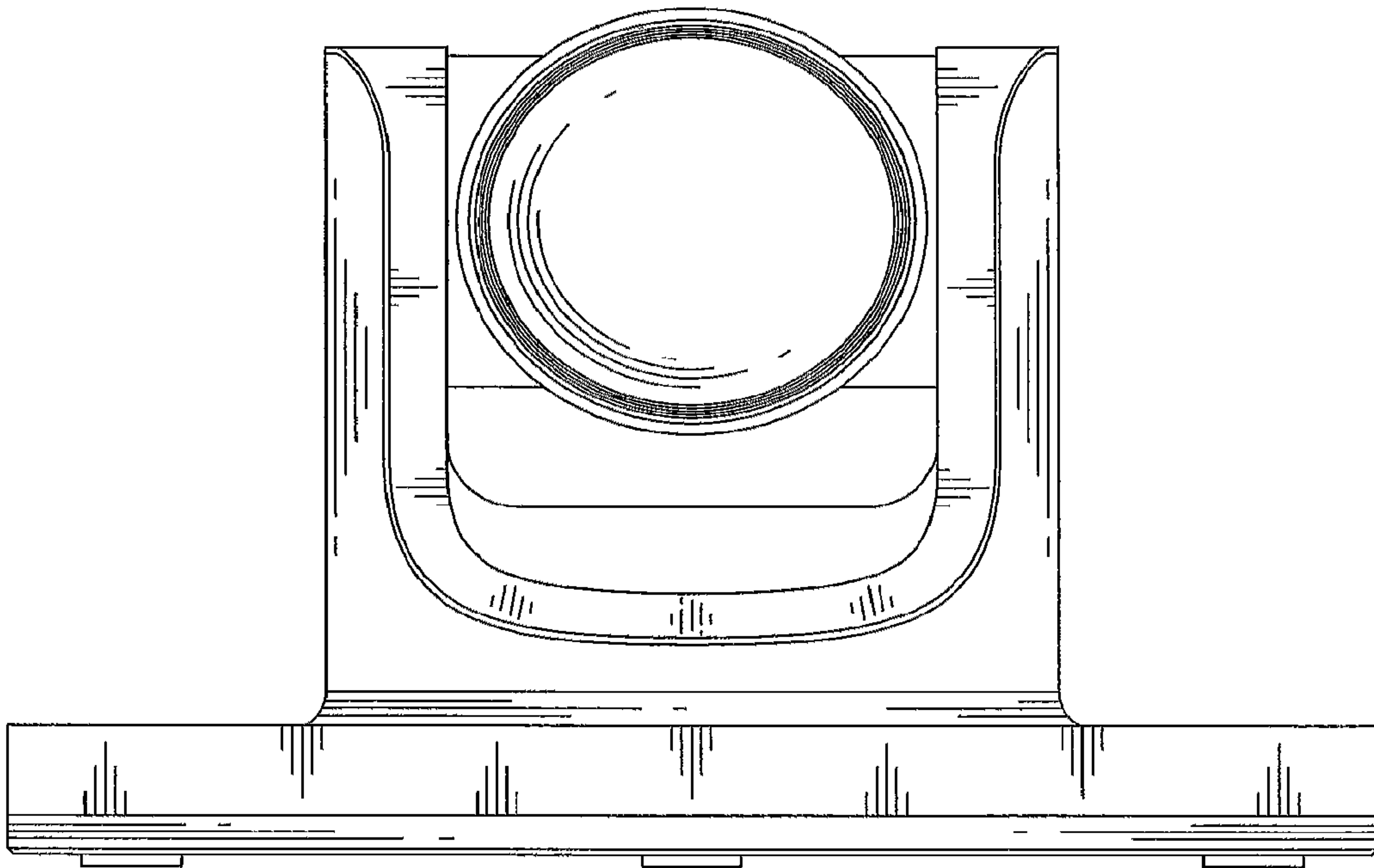


FIG. 3

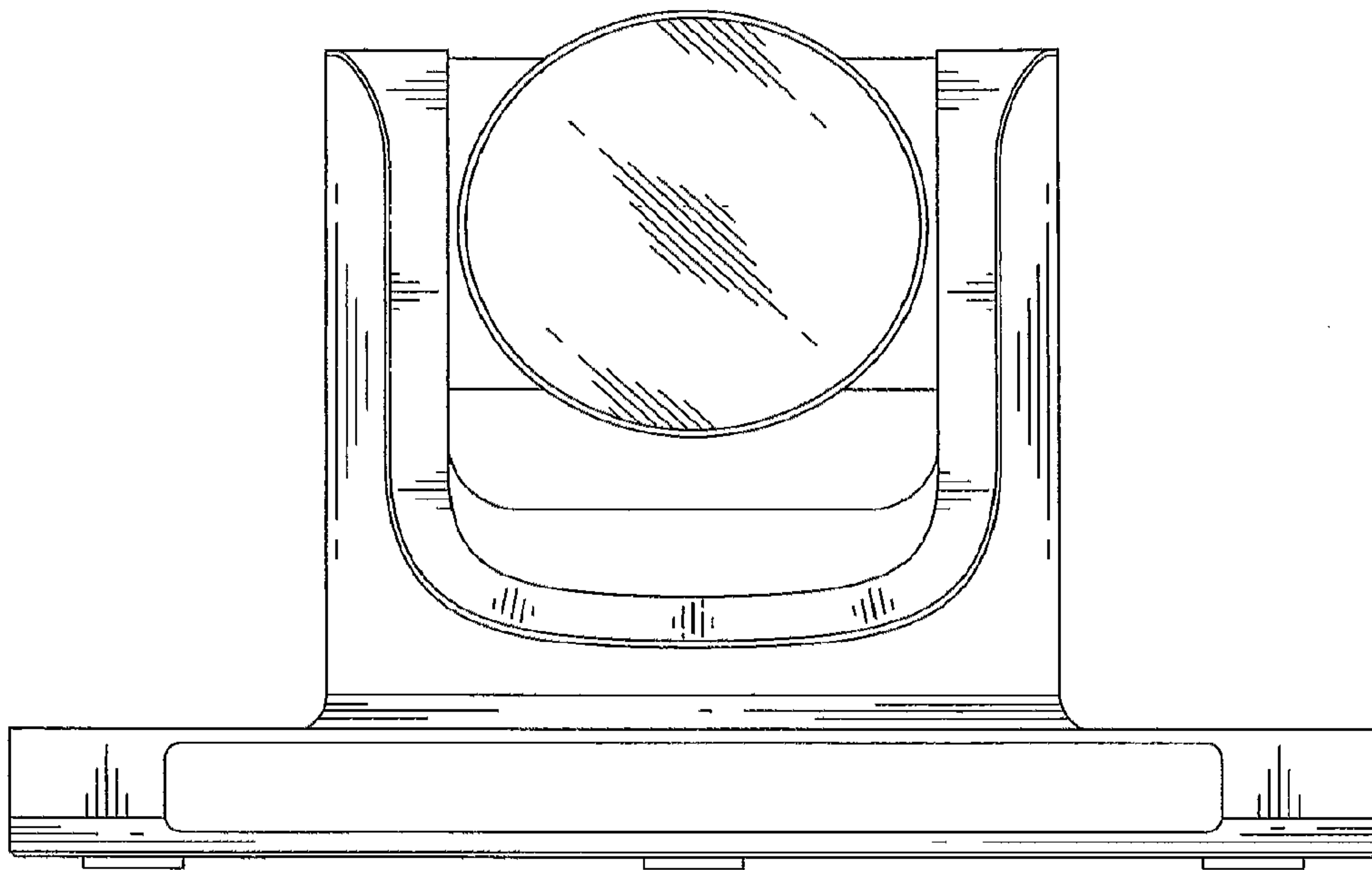


FIG. 4

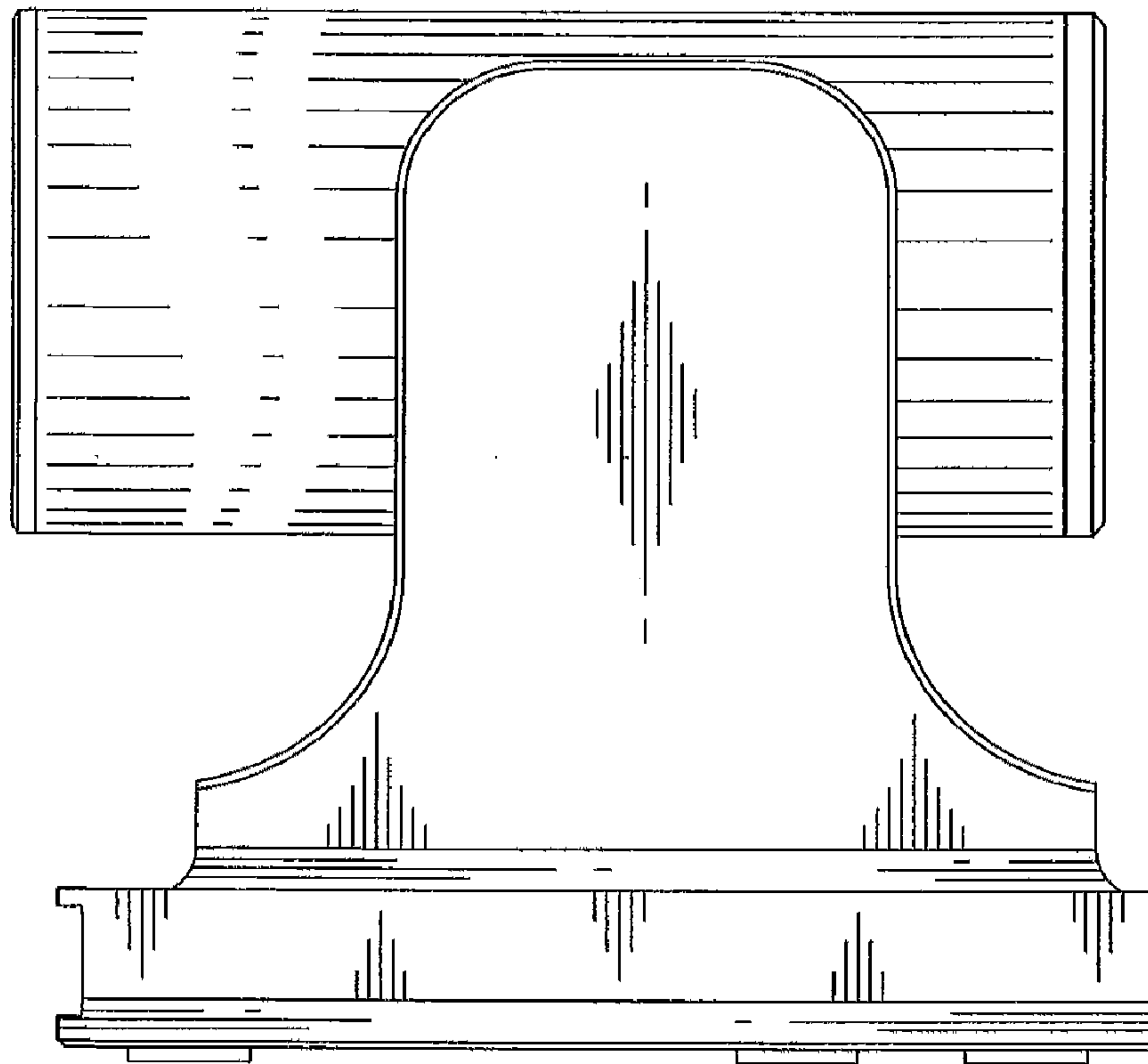


FIG. 5

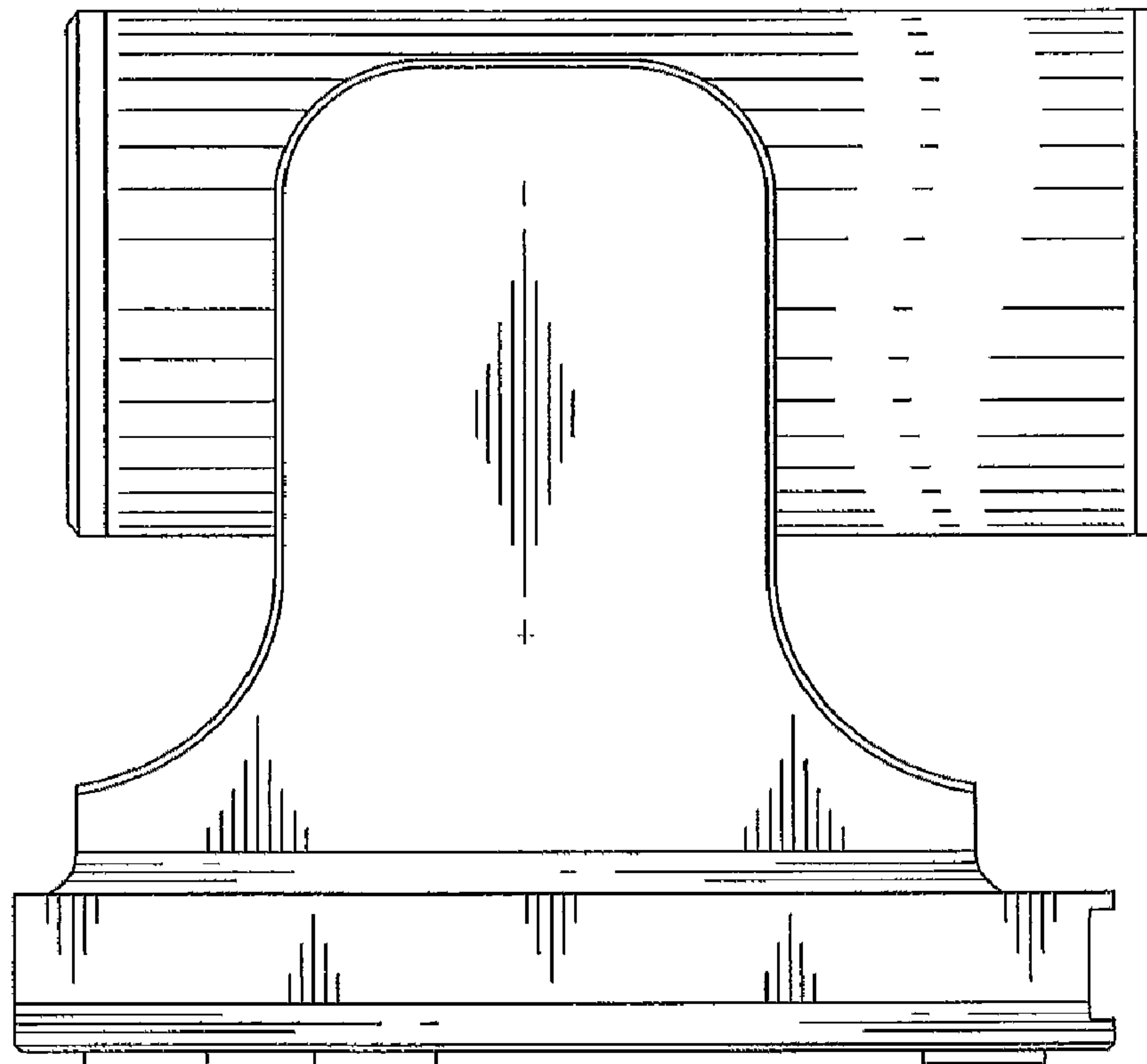


FIG. 6

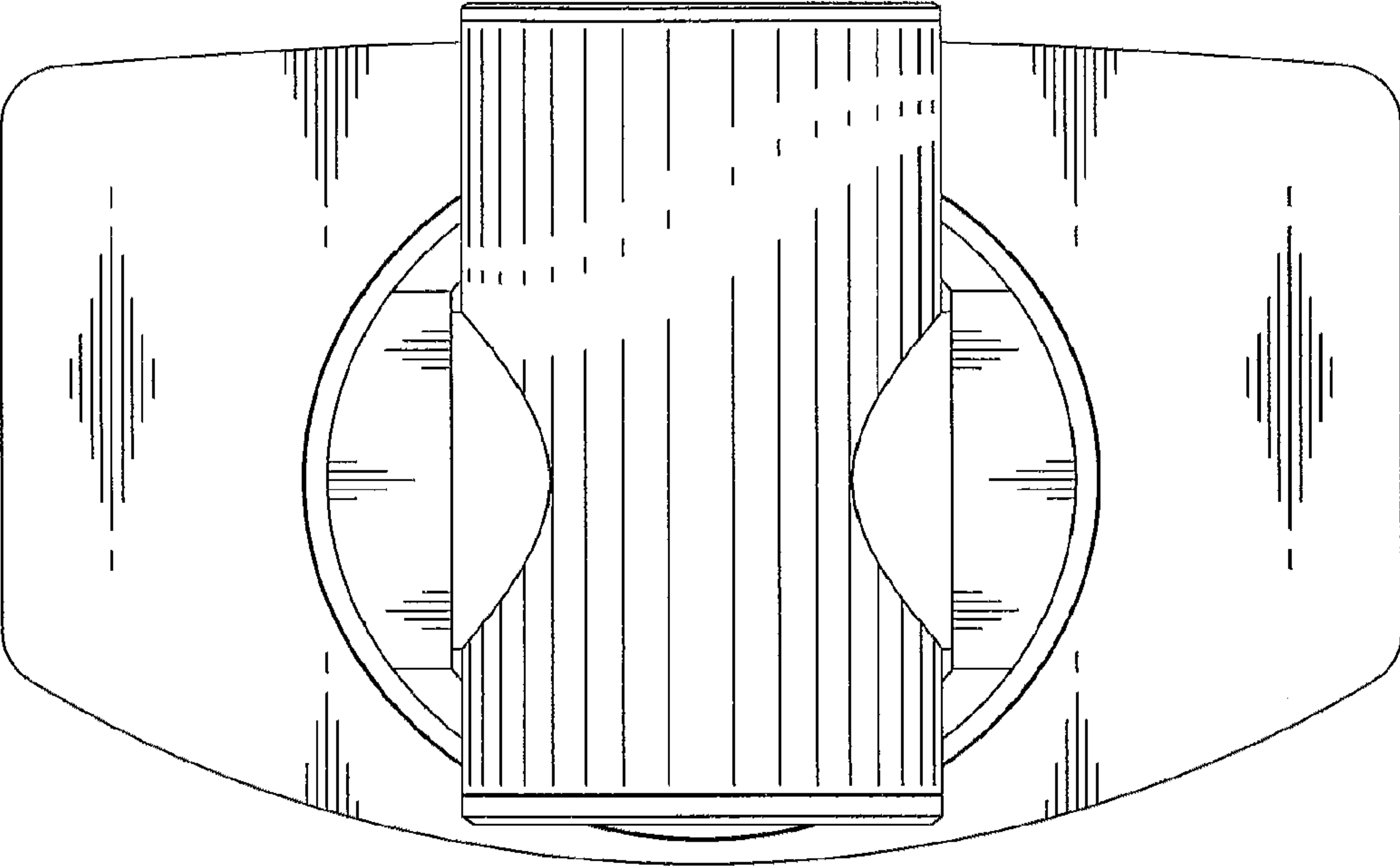


FIG. 7

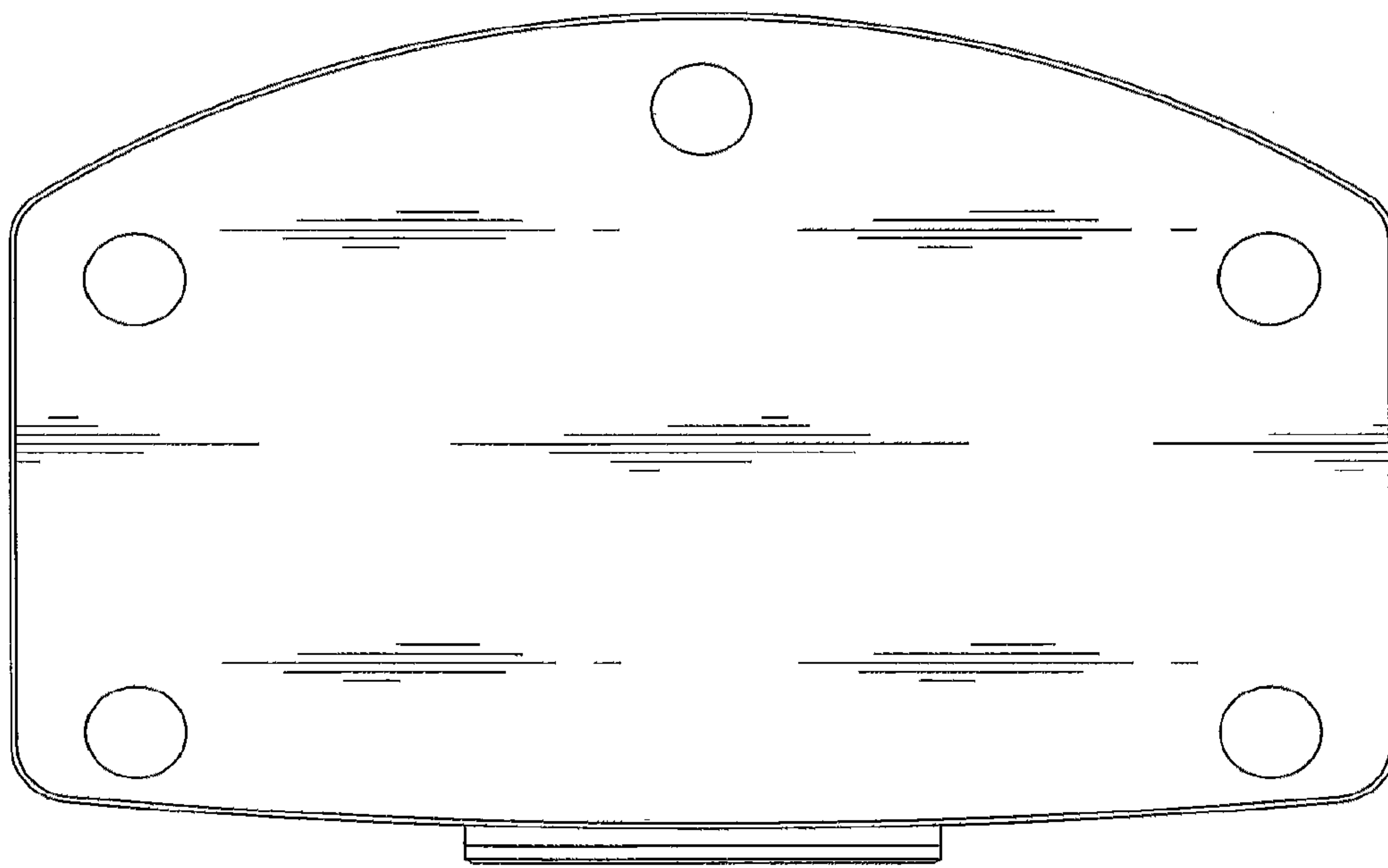


FIG. 8

