



US00D656530S

(12) **United States Design Patent**  
**Kwon et al.**

(10) **Patent No.:** **US D656,530 S**  
(45) **Date of Patent:** **\*\* Mar. 27, 2012**

(54) **DIGITAL CAMERA**

(75) Inventors: **Jong-Chan Kwon**, Yongin-Si (KR);  
**Jun-Won Bae**, Yongin-Si (KR);  
**Jae-Hwa Moon**, Seoul (KR)

(73) Assignee: **Samsung Electronics Co., Ltd.** (KR)

(\*\*) Term: **14 Years**

(21) Appl. No.: **29/390,792**

(22) Filed: **Apr. 29, 2011**

(30) **Foreign Application Priority Data**

Mar. 3, 2011 (KR) ..... 30-2011-0008498

(51) **LOC (9) Cl.** ..... **16-01**

(52) **U.S. Cl.** ..... **D16/202; D16/218**

(58) **Field of Classification Search** ..... D16/200,  
D16/202, 203, 204, 217, 218; 348/373-376;  
358/909.1; 396/535-541

See application file for complete search history.

(56) **References Cited**

**U.S. PATENT DOCUMENTS**

4,924,248 A \* 5/1990 Taniguchi et al. .... 396/60  
D424,085 S \* 5/2000 Naito ..... D16/202

D451,115 S \* 11/2001 Sumita ..... D16/202  
D513,027 S \* 12/2005 Katayama ..... D16/206  
D520,544 S \* 5/2006 Senda ..... D16/202  
D532,031 S \* 11/2006 Hayashi ..... D16/218

\* cited by examiner

*Primary Examiner* — Adir Aronovich

(74) *Attorney, Agent, or Firm* — NSIP Law

(57) **CLAIM**

The ornamental design for a digital camera, as shown and described.

**DESCRIPTION**

FIG. 1 is a front and left side perspective view of a digital camera showing our new design;

FIG. 2 is a front elevational view of the digital camera of FIG. 1;

FIG. 3 is a rear elevational view of the digital camera of FIG. 1;

FIG. 4 is a left side elevational view of the digital camera of FIG. 1;

FIG. 5 is a right side elevational view of the digital camera of FIG. 1;

FIG. 6 is a top plan view of the digital camera of FIG. 1; and, FIG. 7 is a bottom plan view of the digital camera of FIG. 1.

**1 Claim, 4 Drawing Sheets**

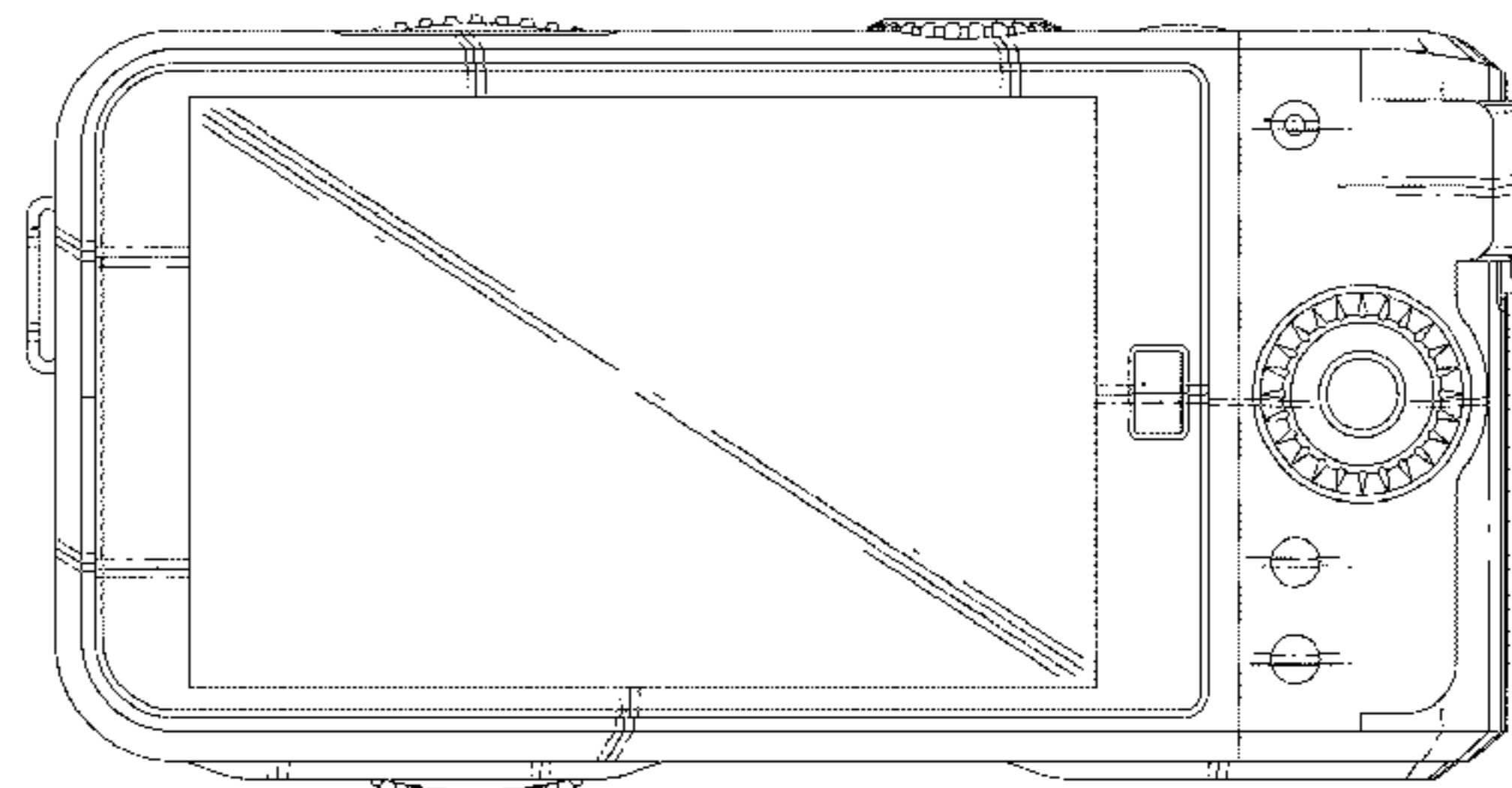
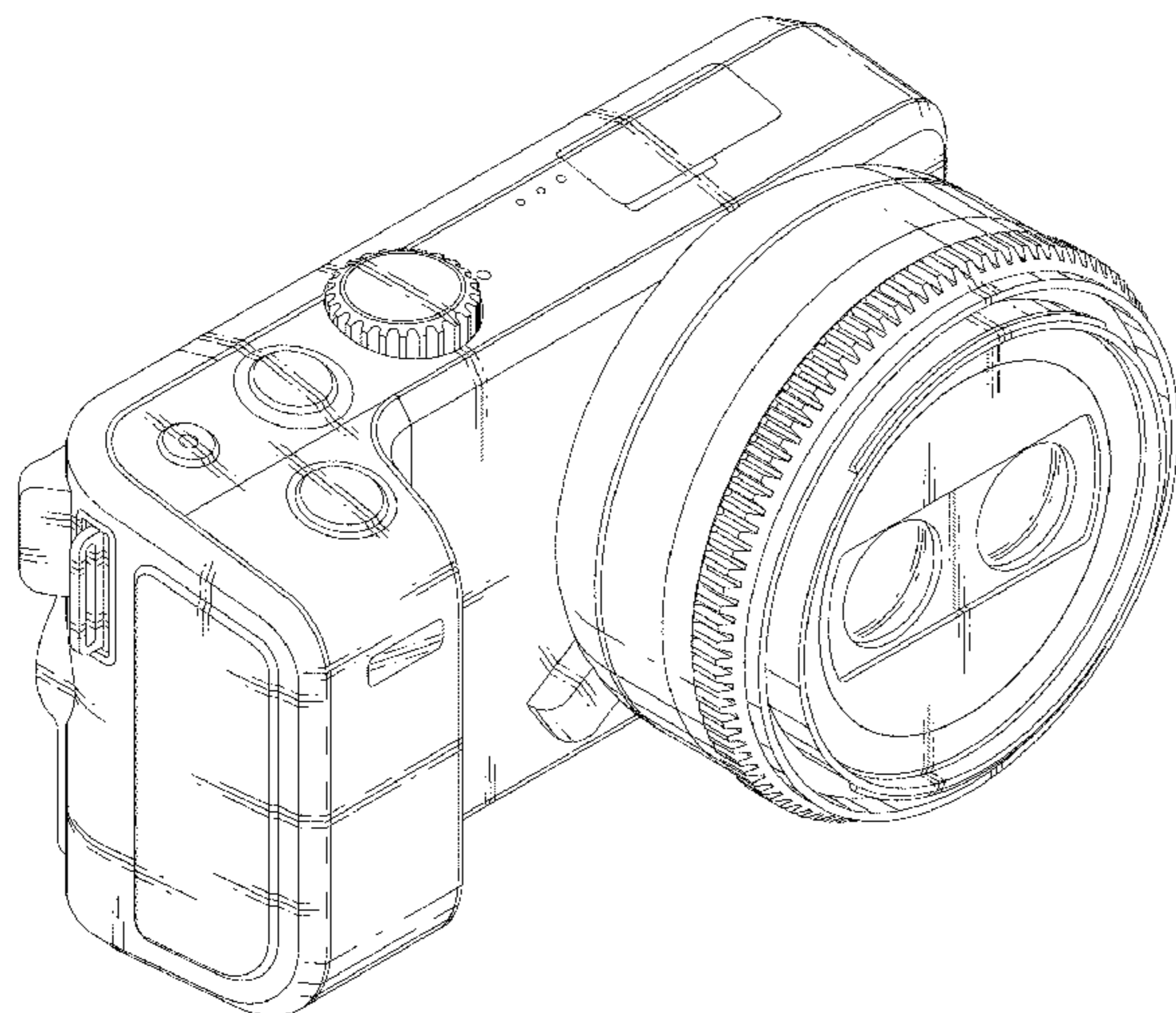


FIG. 1

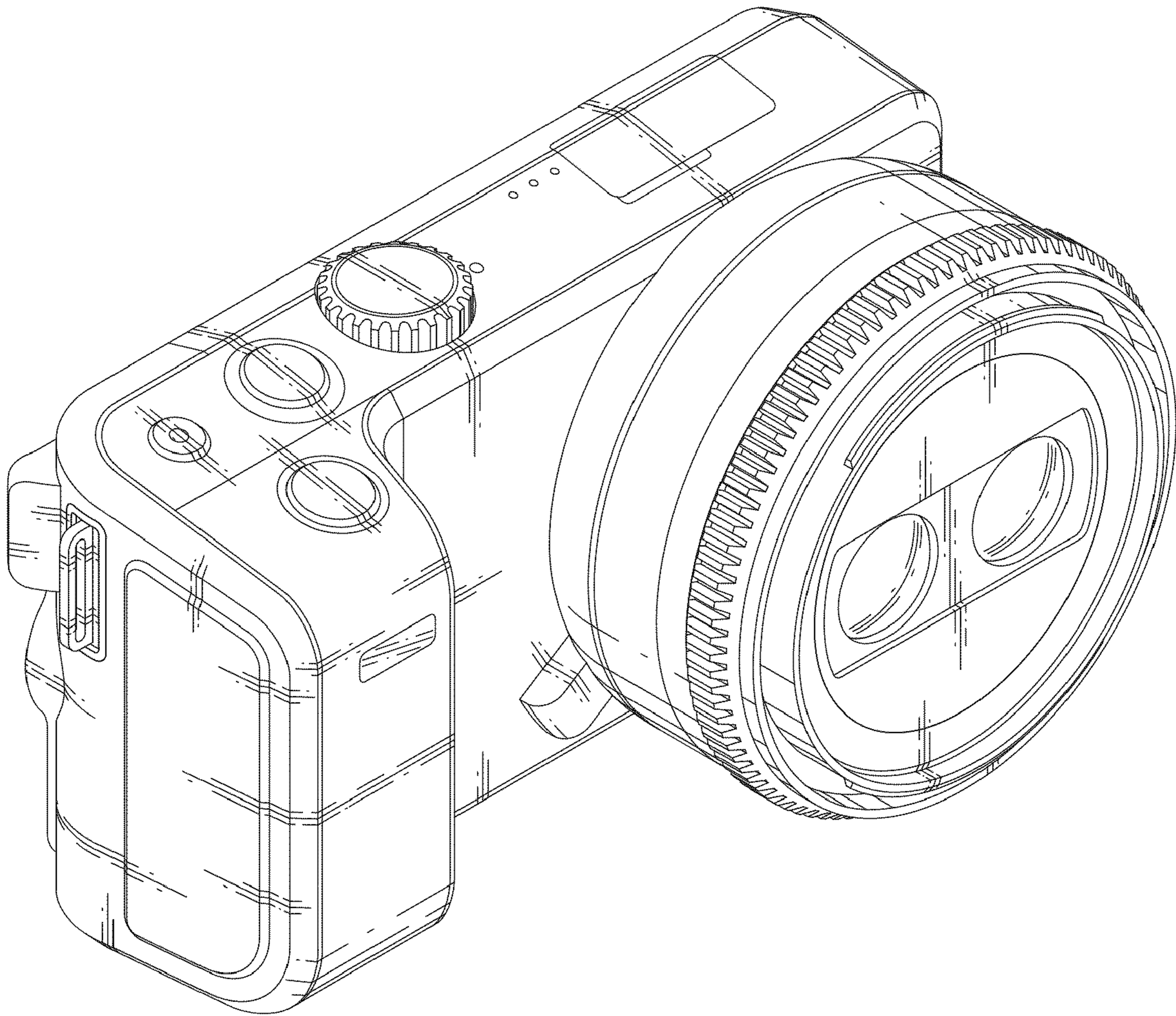


FIG. 2

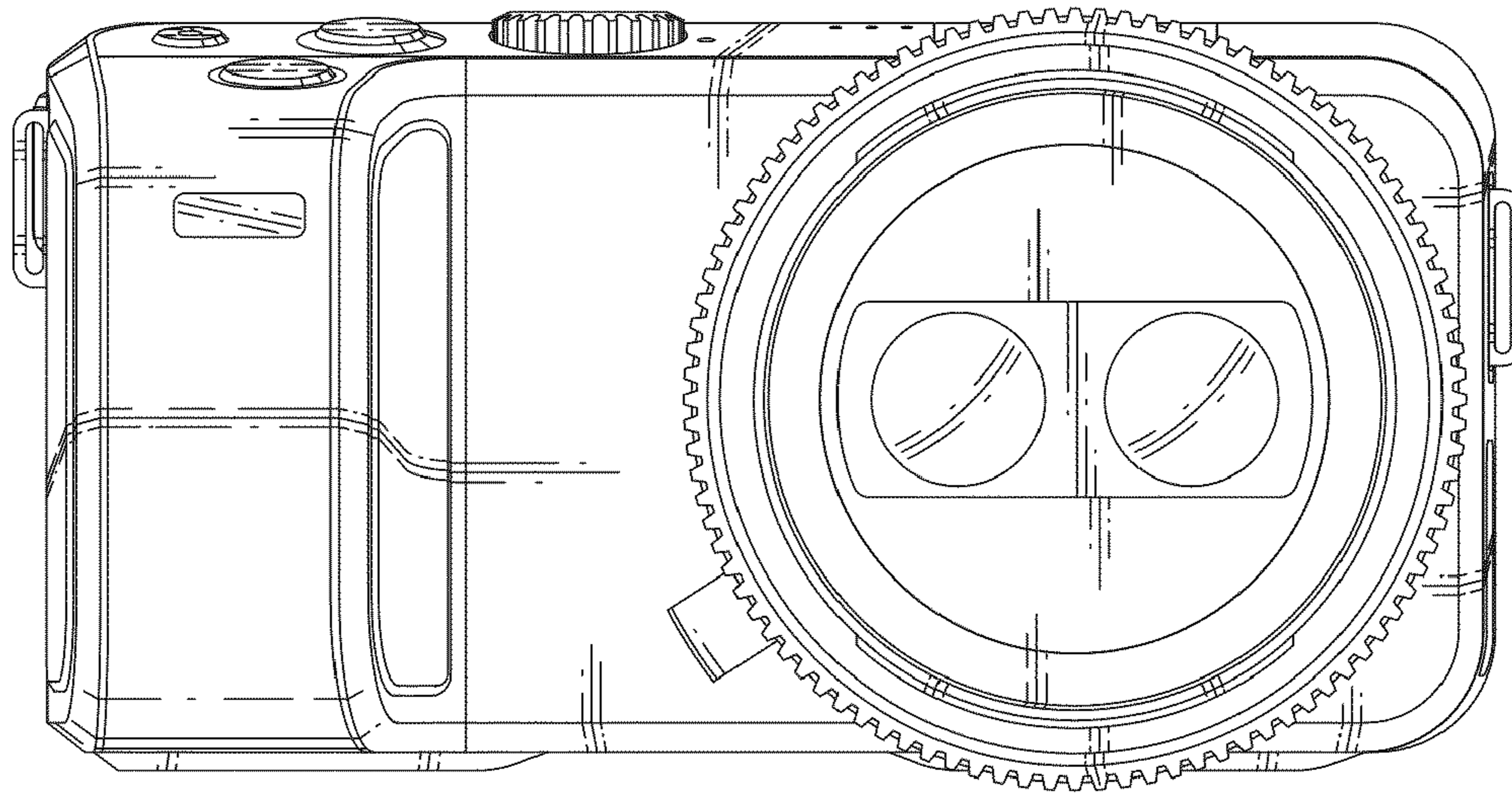


FIG. 3

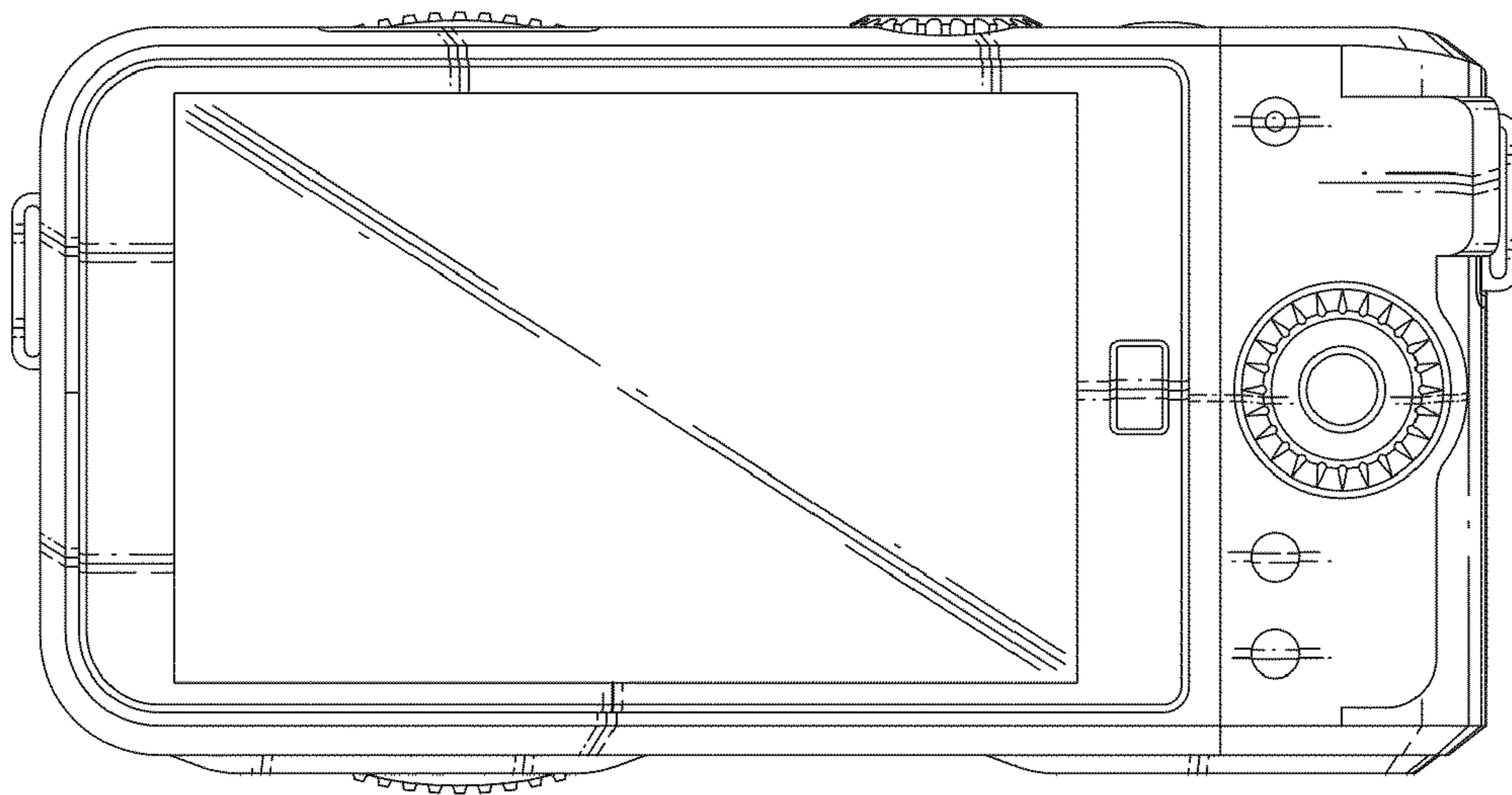


FIG. 4

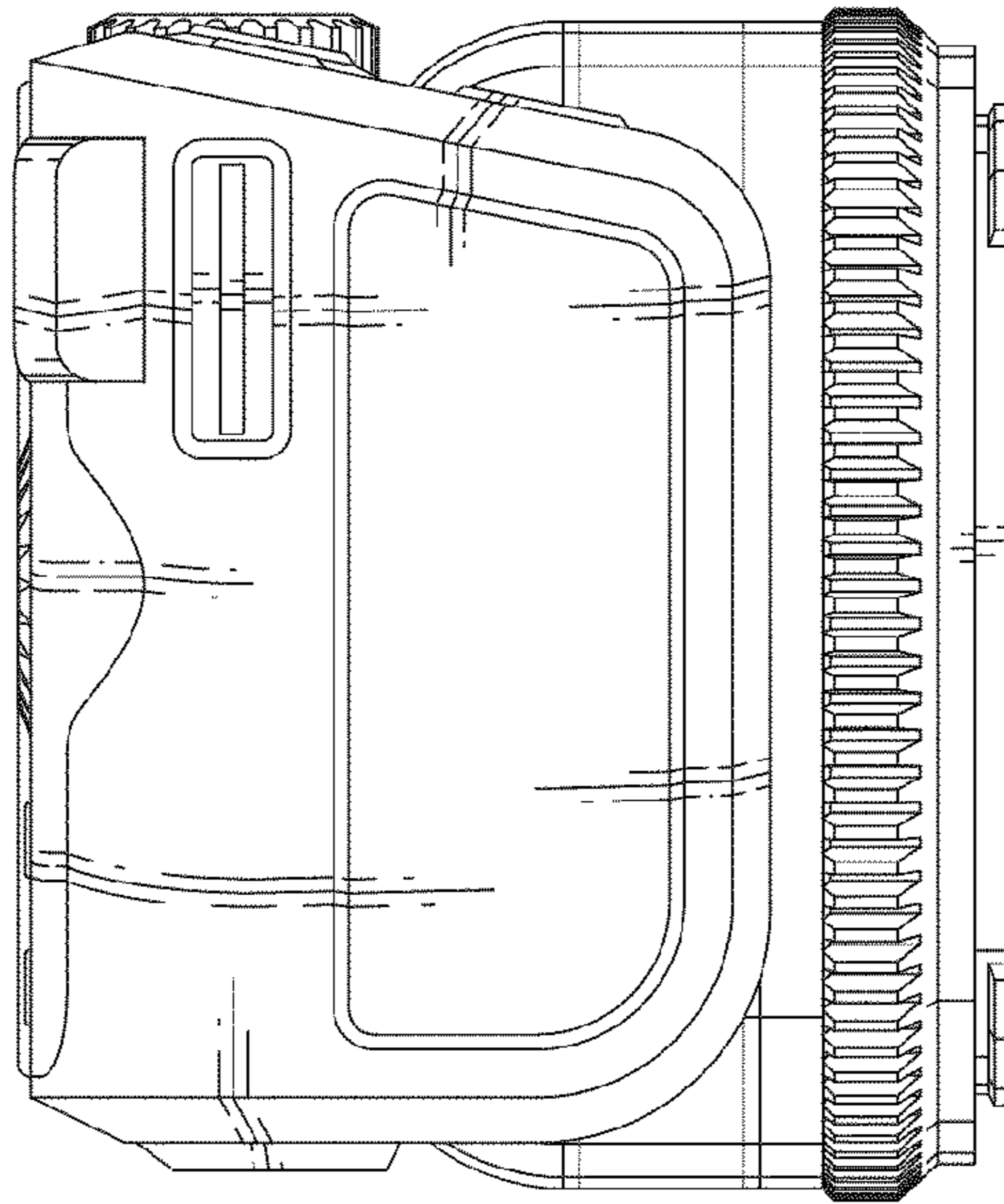


FIG. 5

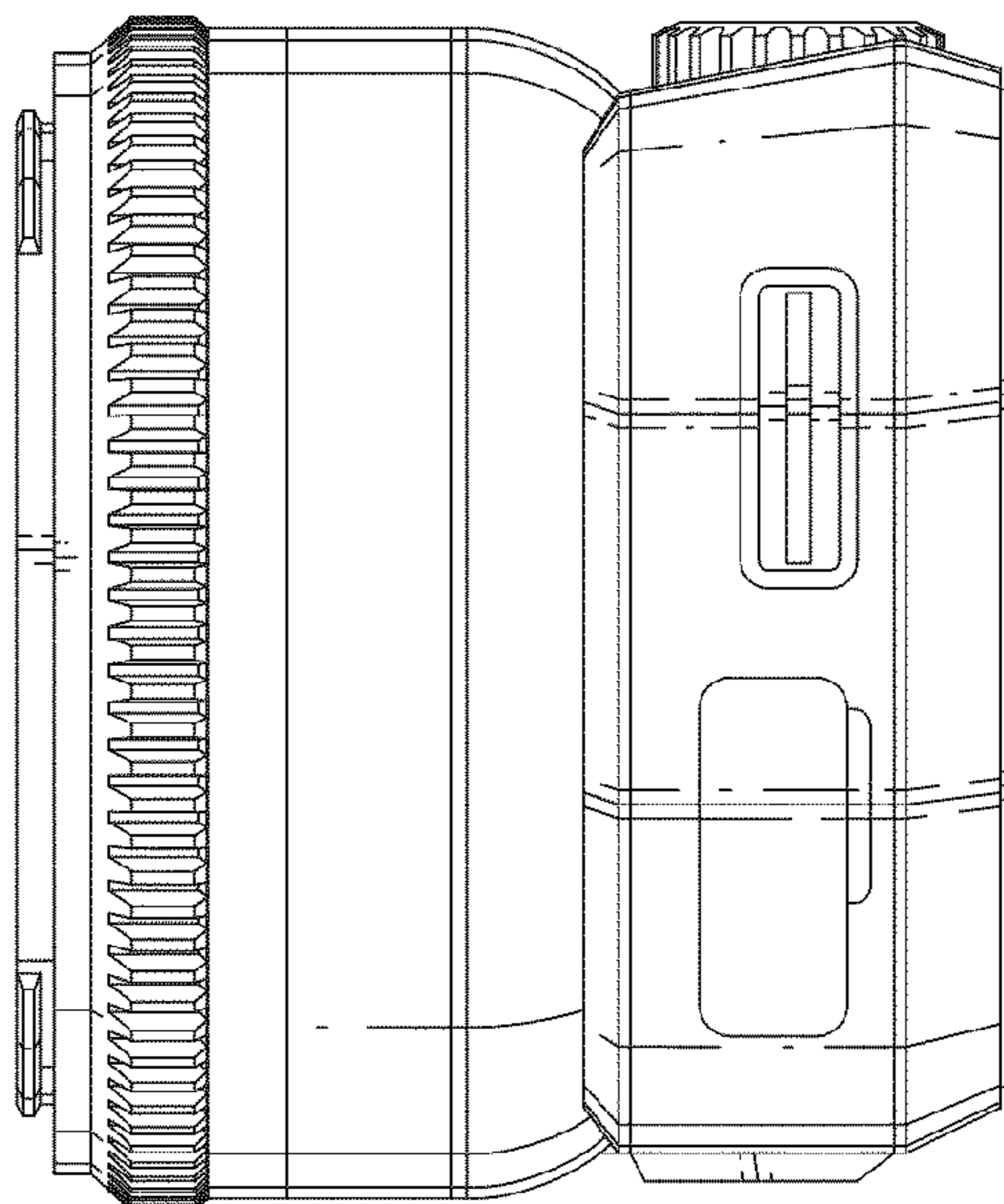


FIG. 6

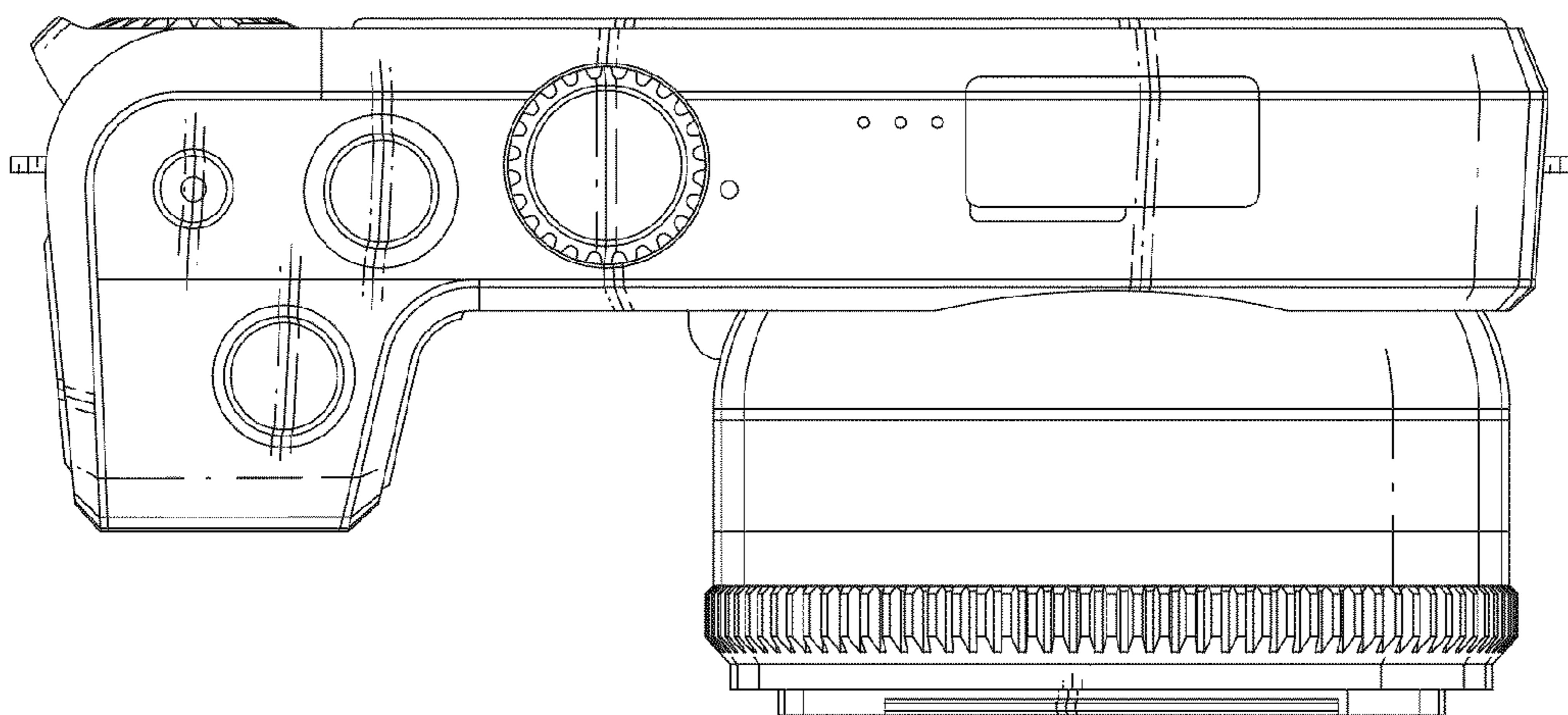


FIG. 7

