



US00D656529S

(12) **United States Design Patent**  
**Kwon et al.**

(10) **Patent No.:** **US D656,529 S**  
(45) **Date of Patent:** **\*\* Mar. 27, 2012**

(54) **DIGITAL CAMCORDER**

(75) Inventors: **Jong-Chan Kwon**, Yongin-Si (KR);  
**Jun-Won Bae**, Yongin-Si (KR);  
**Jae-Hwa Moon**, Seoul (KR); **Su-Jung Ham**, Gumi-Si (KR)

(73) Assignee: **Samsung Electronics Co., Ltd.** (KR)

(\*\*) Term: **14 Years**

(21) Appl. No.: **29/387,255**

(22) Filed: **Mar. 10, 2011**

(30) **Foreign Application Priority Data**

Dec. 17, 2010 (KR) ..... 30-2010-0054746

(51) **LOC (9) Cl.** ..... **16-01**

(52) **U.S. Cl.** ..... **D16/202**

(58) **Field of Classification Search** ..... D16/200,  
D16/202, 203, 204, 218; 348/333.06, 373-376;  
358/909.1; 396/535-541

See application file for complete search history.

(56) **References Cited**

**U.S. PATENT DOCUMENTS**

D527,403 S \* 8/2006 Byun et al. .... D16/202  
7,084,919 B2 \* 8/2006 Shibata et al. .... 348/333.06  
7,583,317 B2 \* 9/2009 Kinemura et al. .... 348/376  
D607,479 S \* 1/2010 Yu ..... D16/202

D617,821 S \* 6/2010 Kaplan et al. .... D16/202  
7,808,550 B2 \* 10/2010 Misawa ..... 348/373  
D635,606 S \* 4/2011 Han et al. .... D16/218  
D636,006 S \* 4/2011 Champ ..... D16/202  
D638,458 S \* 5/2011 Miyamori et al. .... D16/202  
D641,771 S \* 7/2011 Sasaki et al. .... D16/202

\* cited by examiner

*Primary Examiner* — Adir Aronovich

(74) *Attorney, Agent, or Firm* — NSIP Law

(57) **CLAIM**

The ornamental design for a digital camcorder, as shown and described.

**DESCRIPTION**

FIG. 1 is a front and right side perspective view of a digital camcorder showing our new design;

FIG. 2 is a front elevational view of the digital camcorder of FIG. 1;

FIG. 3 is a rear elevational view of the digital camcorder of FIG. 1;

FIG. 4 is a left side elevational view of the digital camcorder of FIG. 1;

FIG. 5 is a right side elevational view of the digital camcorder of FIG. 1;

FIG. 6 is a top plan view of the digital camcorder of FIG. 1; and,

FIG. 7 is a bottom plan view of the digital camcorder of FIG. 1.

**1 Claim, 5 Drawing Sheets**

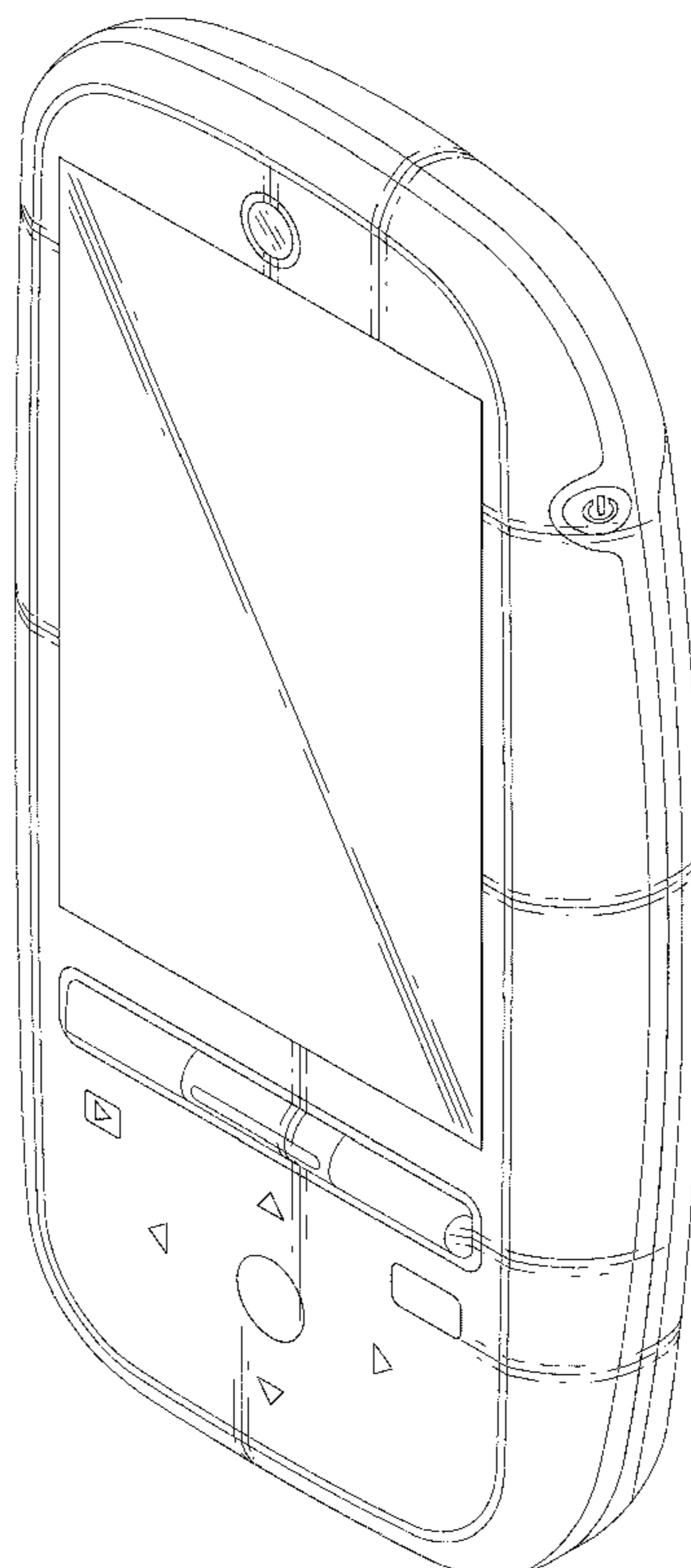


FIG. 1

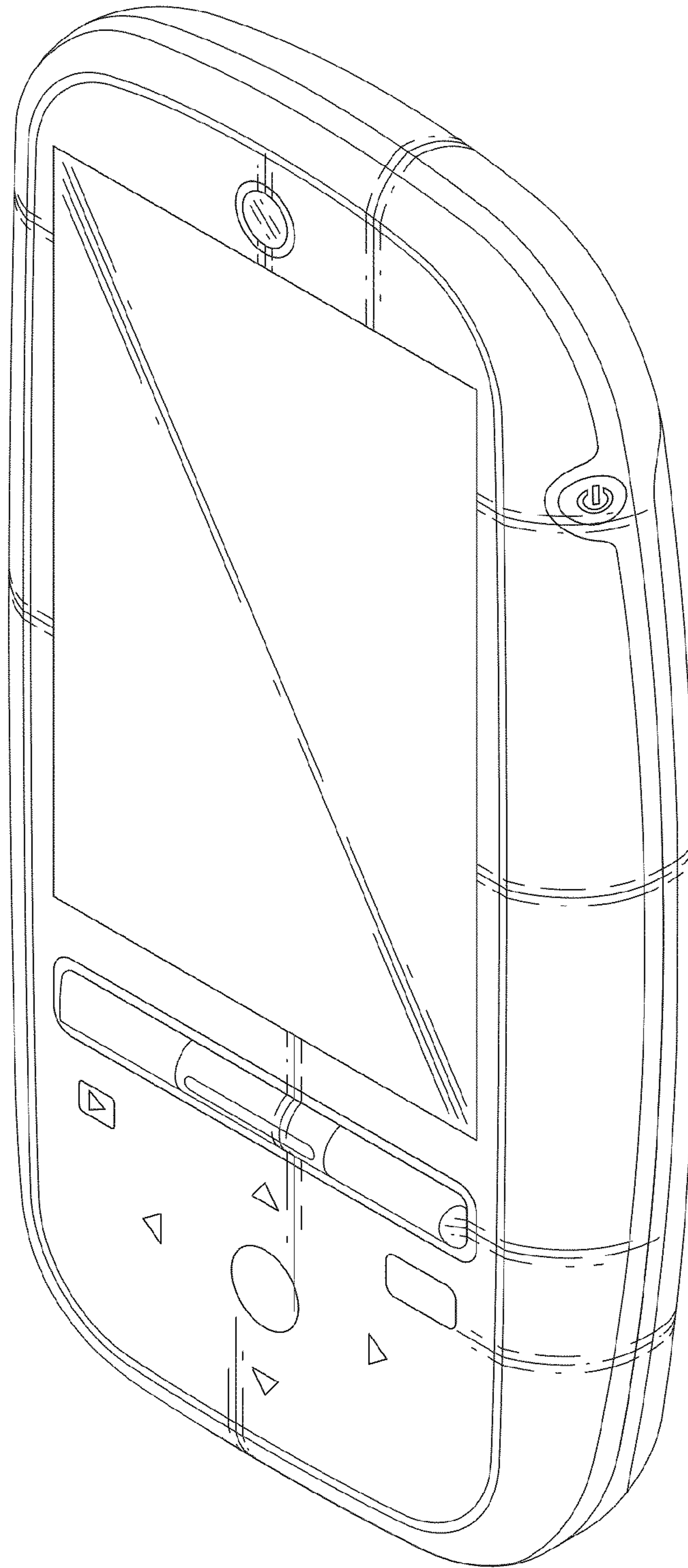


FIG. 2

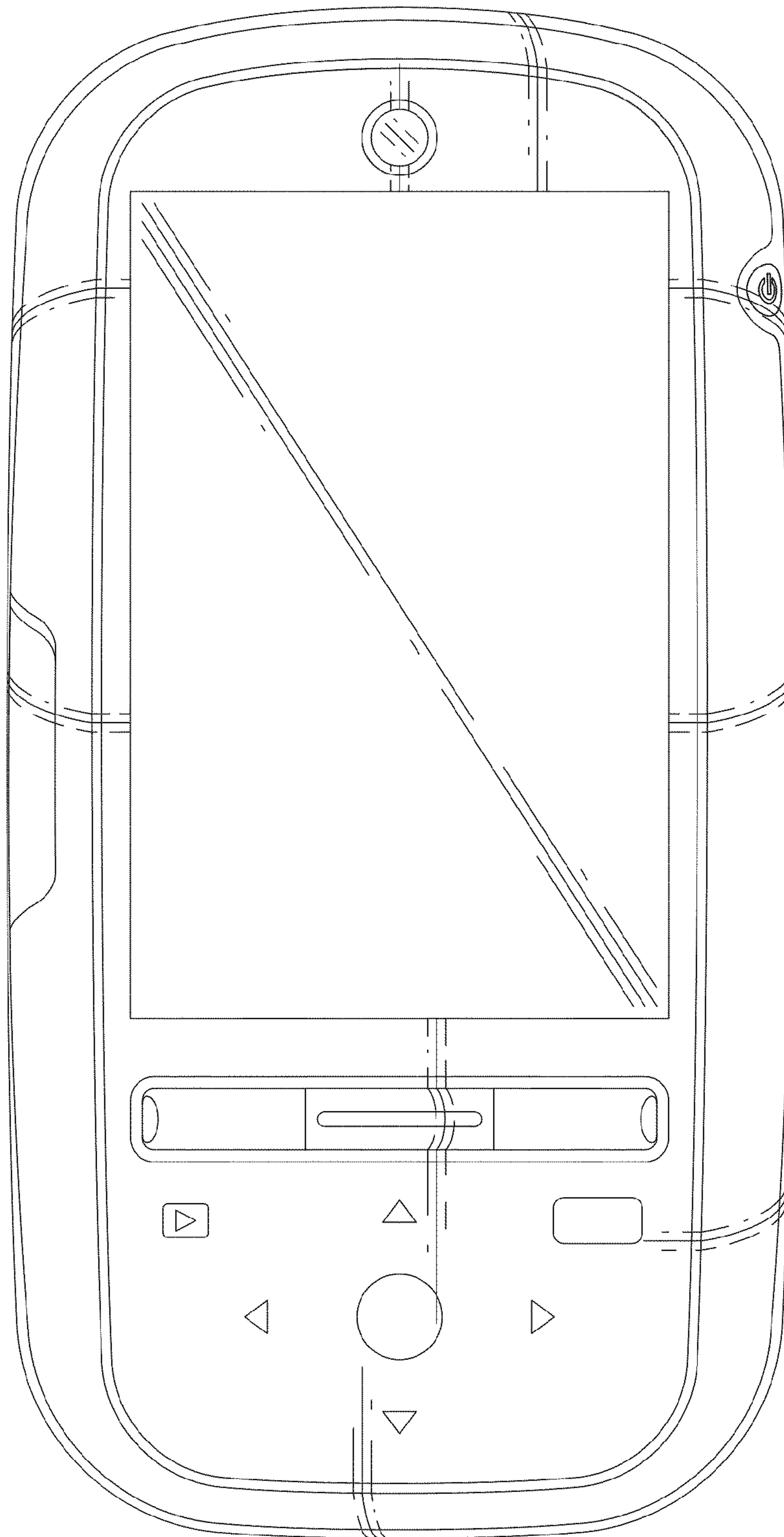


FIG. 3

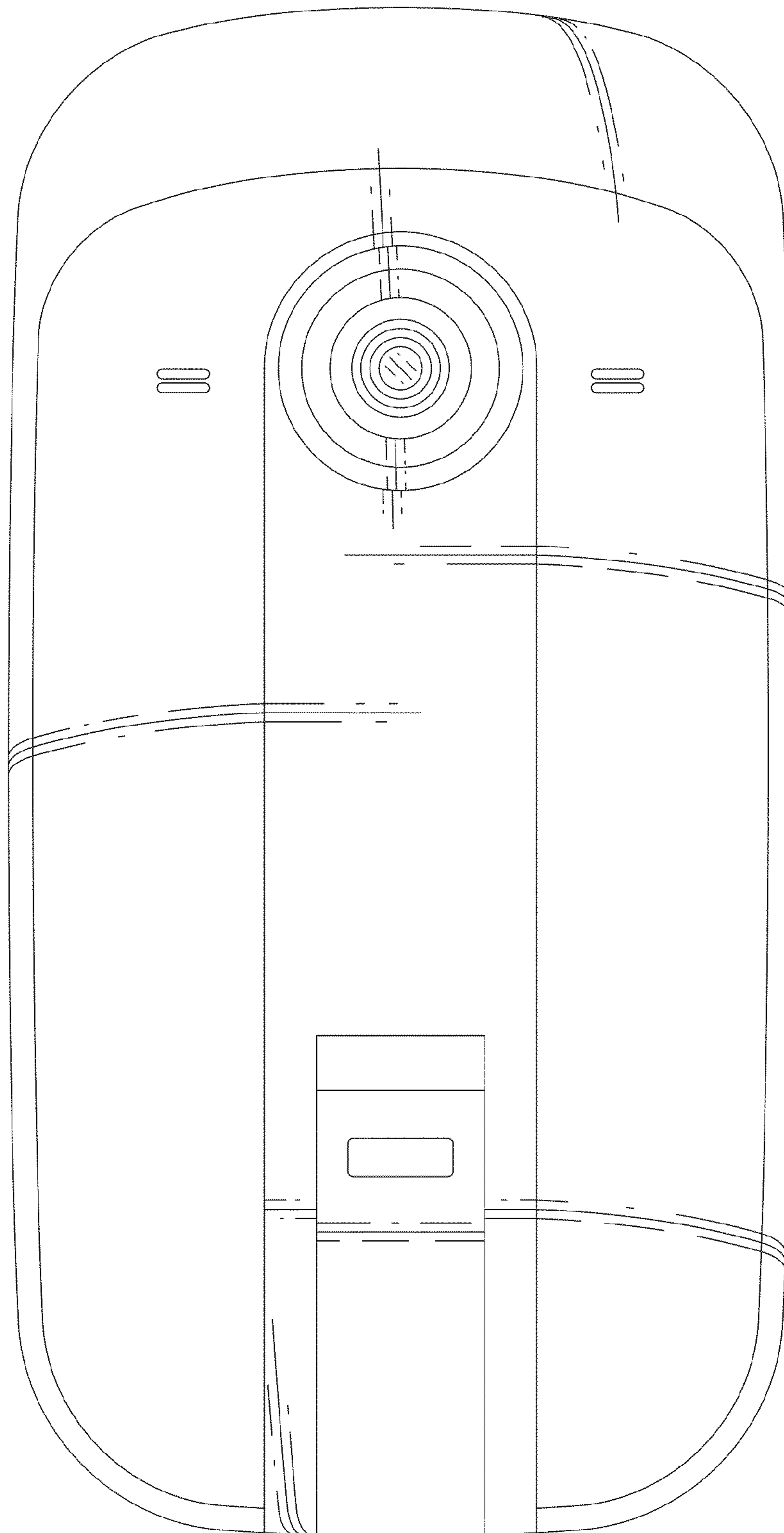


FIG. 4

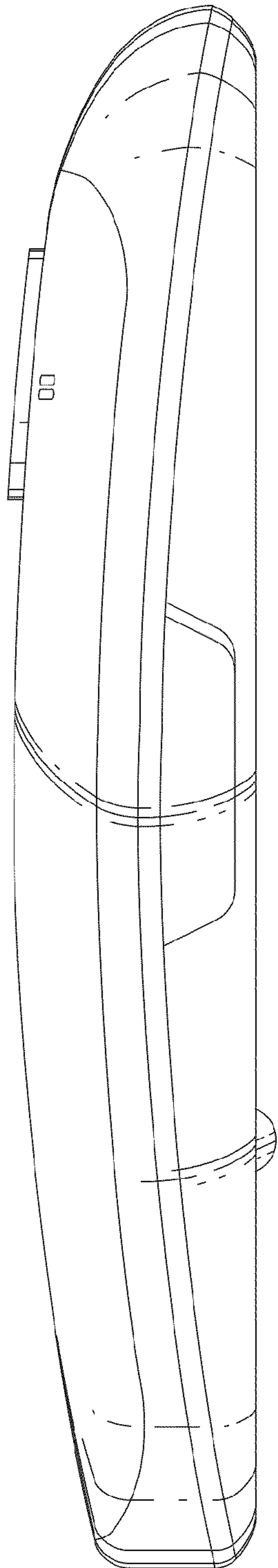


FIG. 5

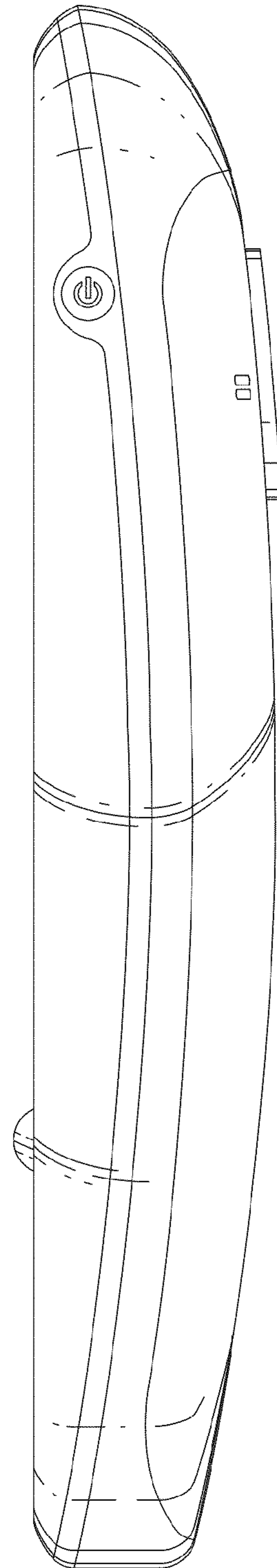


FIG. 6

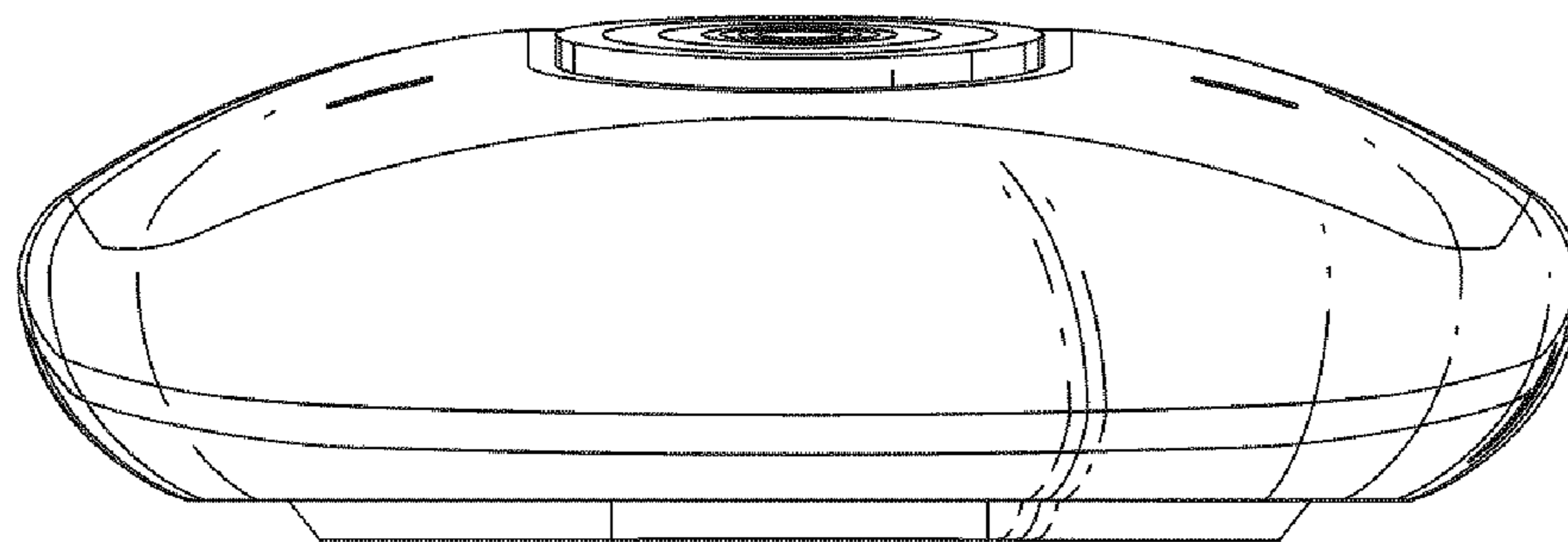


FIG. 7

