



US00D656528S

(12) **United States Design Patent**
Kwon et al.

(10) **Patent No.:** **US D656,528 S**

(45) **Date of Patent:** **** Mar. 27, 2012**

(54) **DIGITAL CAMCORDER**

(75) Inventors: **Jong-Chan Kwon**, Yongin-Si (KR);
Jun-Won Bae, Yongin-Si (KR);
Jae-Hwa Moon, Seoul (KR); **Su-Jung Ham**, Gumi-Si (KR)

(73) Assignee: **Samsung Electronics Co., Ltd.** (KR)

(**) Term: **14 Years**

(21) Appl. No.: **29/387,196**

(22) Filed: **Mar. 10, 2011**

(30) **Foreign Application Priority Data**

Dec. 10, 2010 (KR) 30-2010-0053613

(51) **LOC (9) Cl.** **16-01**

(52) **U.S. Cl.** **D16/202**

(58) **Field of Classification Search** D16/200,
D16/202, 203, 204, 218; 348/333.06, 373-376;
358/909.1; 396/535-541

See application file for complete search history.

(56) **References Cited**

U.S. PATENT DOCUMENTS

D527,403 S * 8/2006 Byun et al. D16/202
7,084,919 B2 * 8/2006 Shibata et al. 348/333.06
7,583,317 B2 * 9/2009 Kinemura et al. 348/376
D607,479 S * 1/2010 Yu D16/202
D617,821 S * 6/2010 Kaplan et al. D16/202

7,808,550 B2 * 10/2010 Misawa 348/373
D635,606 S * 4/2011 Han et al. D16/218
D636,006 S * 4/2011 Champ D16/202
D638,458 S * 5/2011 Miyamori et al. D16/202
D641,771 S * 7/2011 Sasaki et al. D16/202

* cited by examiner

Primary Examiner — Adir Aronovich

(74) *Attorney, Agent, or Firm* — NSIP Law

(57) **CLAIM**

The ornamental design for a digital camcorder, as shown and described.

DESCRIPTION

FIG. 1 is a front and left side perspective view of a digital camcorder showing our new design;

FIG. 2 is a front elevational view of the digital camcorder of FIG. 1;

FIG. 3 is a rear elevational view of the digital camcorder of FIG. 1;

FIG. 4 is a left side elevational view of the digital camcorder of FIG. 1;

FIG. 5 is a right side elevational view of the digital camcorder of FIG. 1;

FIG. 6 is a top plan view of the digital camcorder of FIG. 1;

FIG. 7 is a bottom plan view of the digital camcorder of FIG. 1; and,

FIG. 8 is a front perspective view of the digital camcorder of FIG. 1, with a display panel opened.

1 Claim, 6 Drawing Sheets

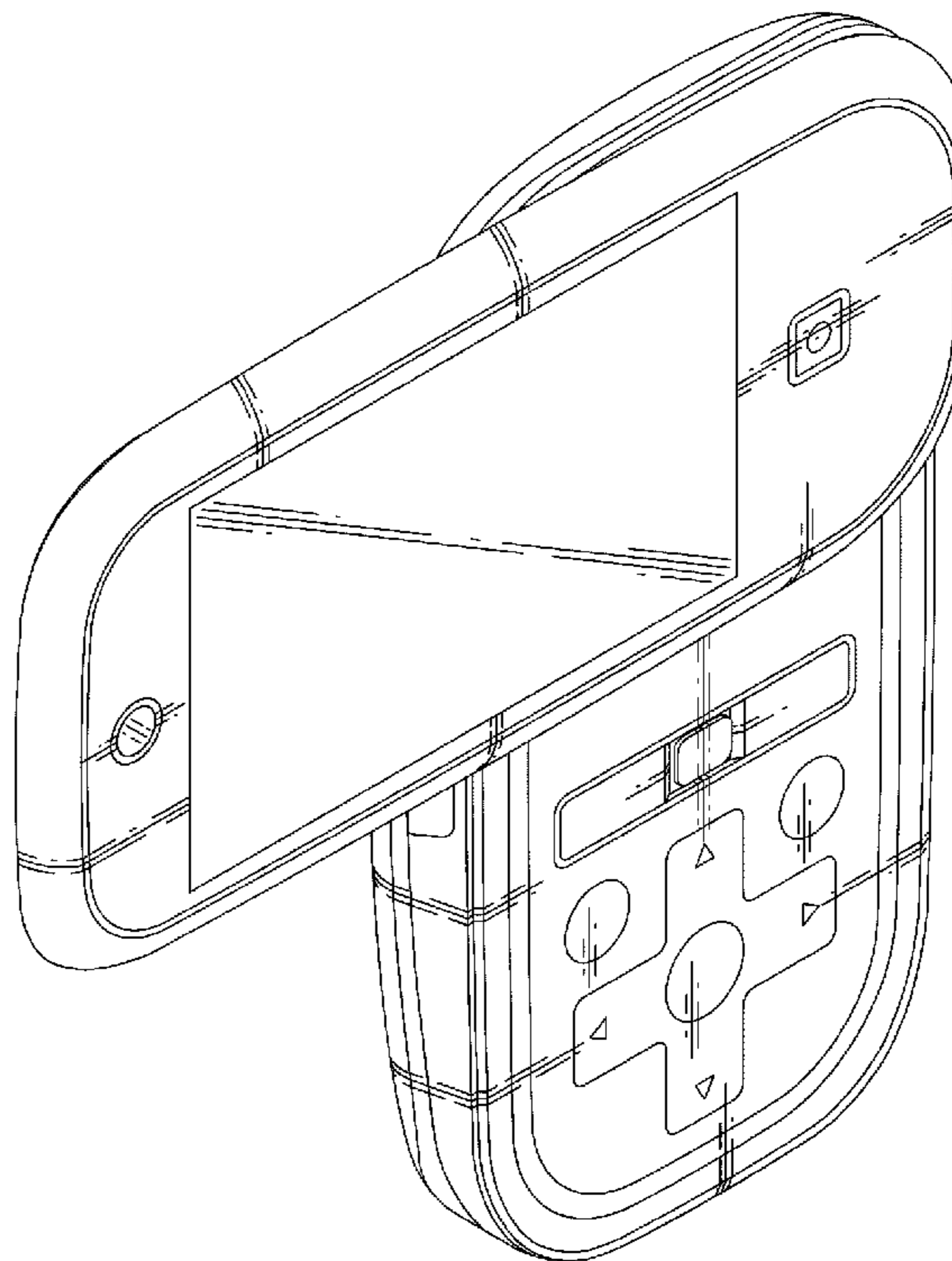
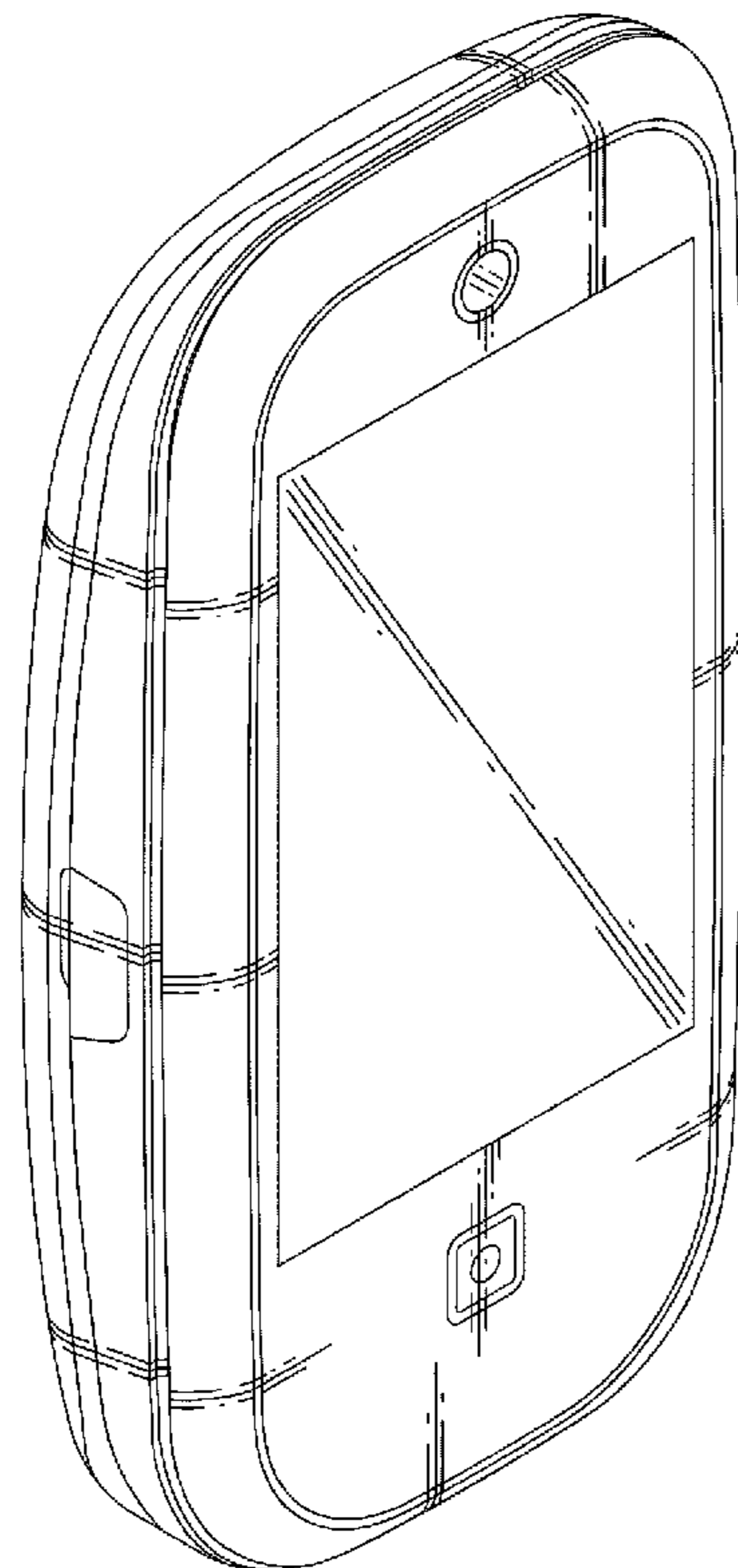


FIG. 1

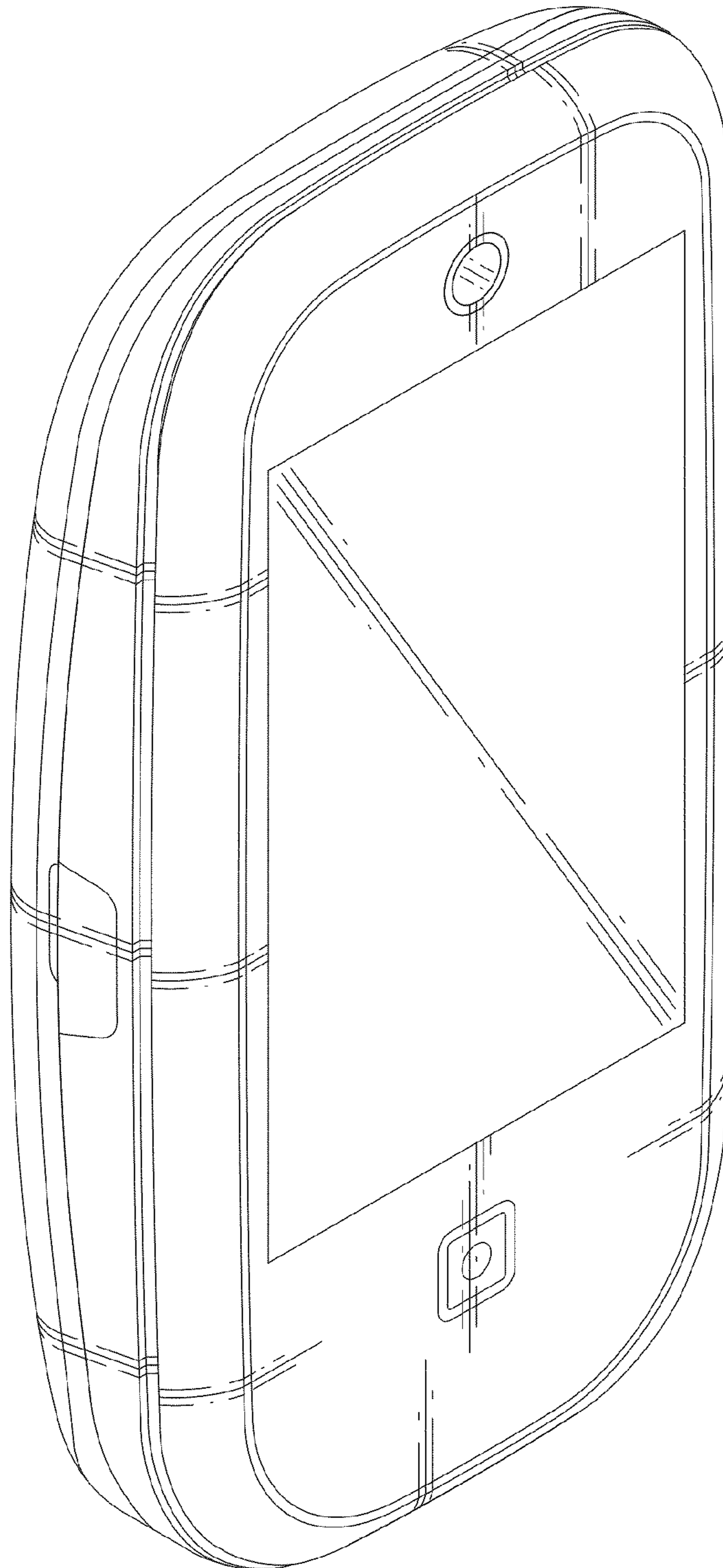


FIG. 2

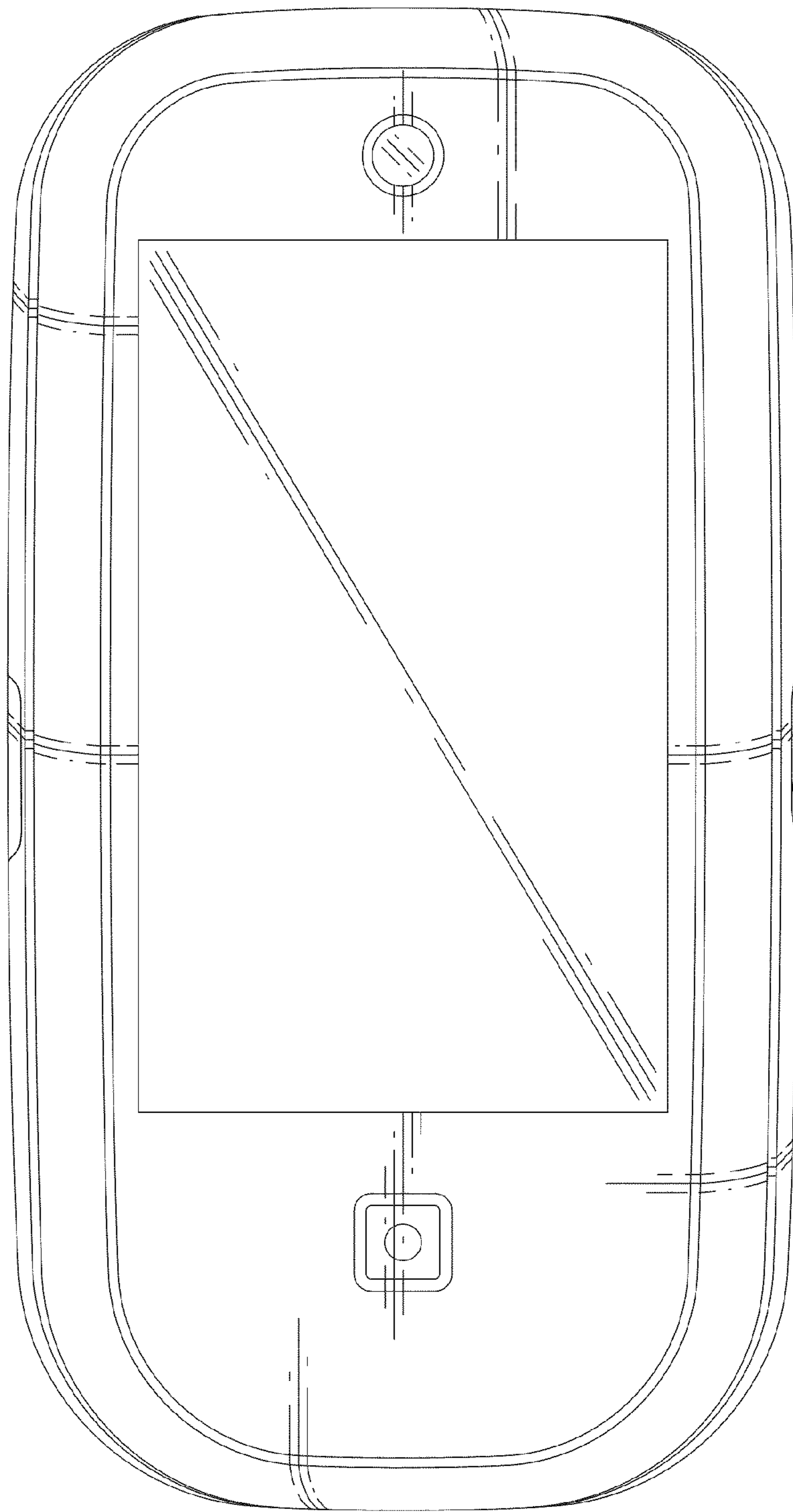


FIG. 3

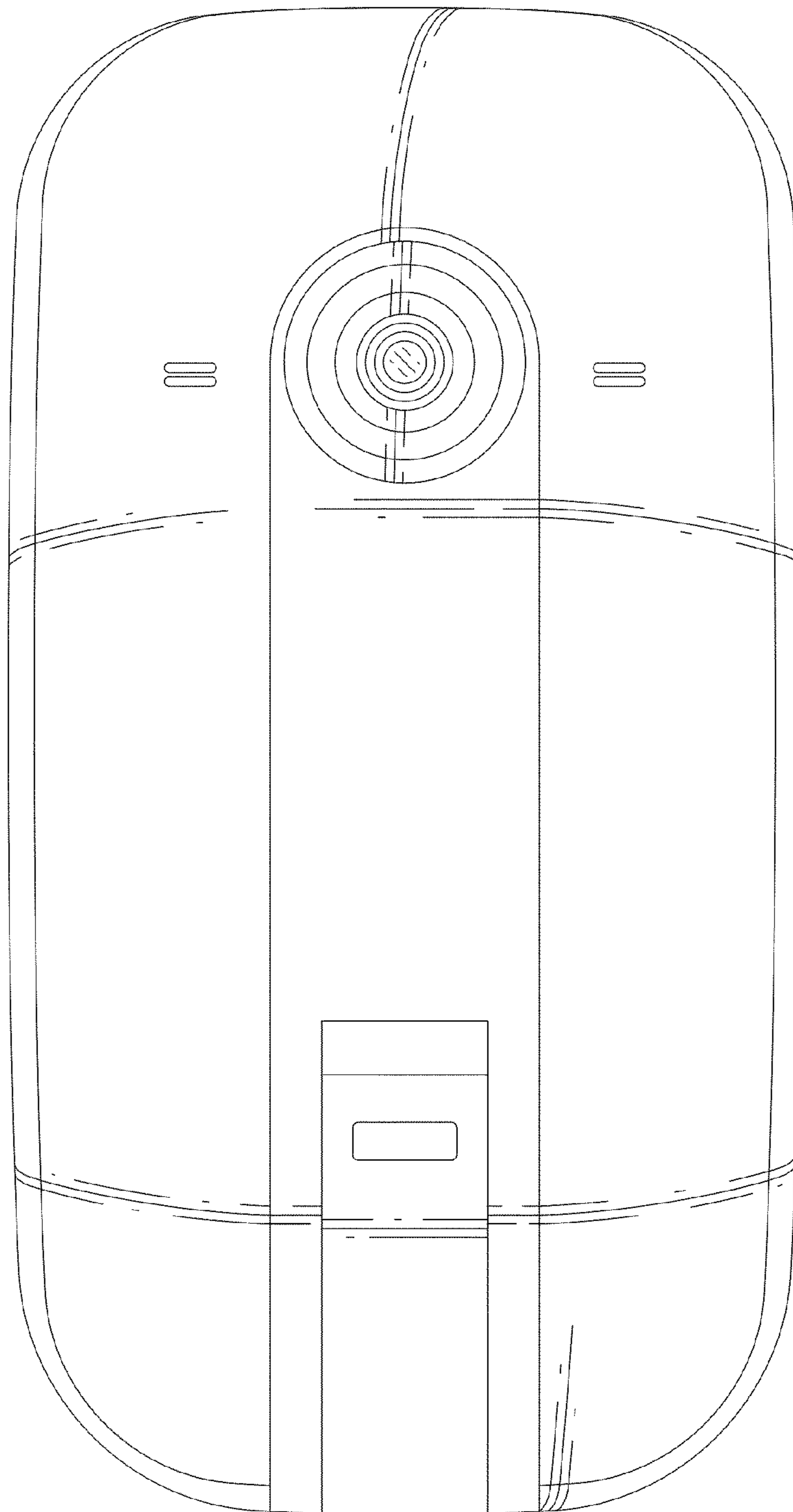


FIG. 4

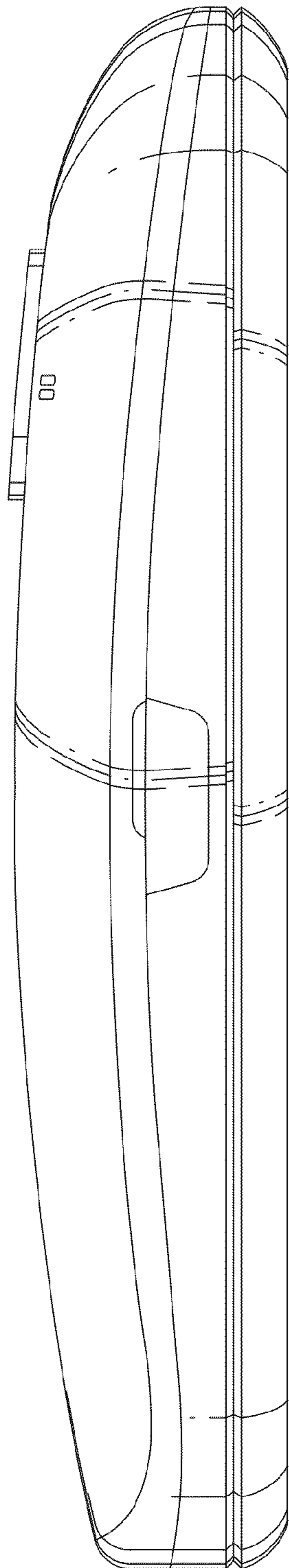


FIG. 5

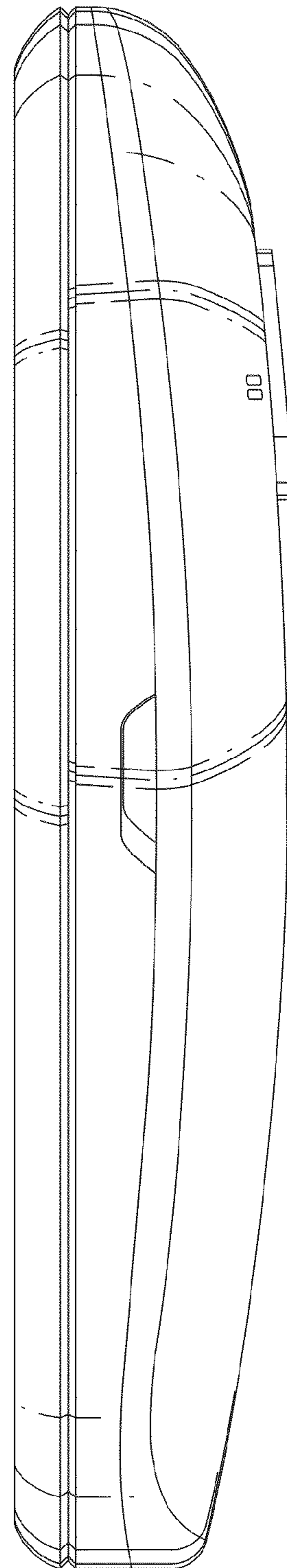


FIG. 6

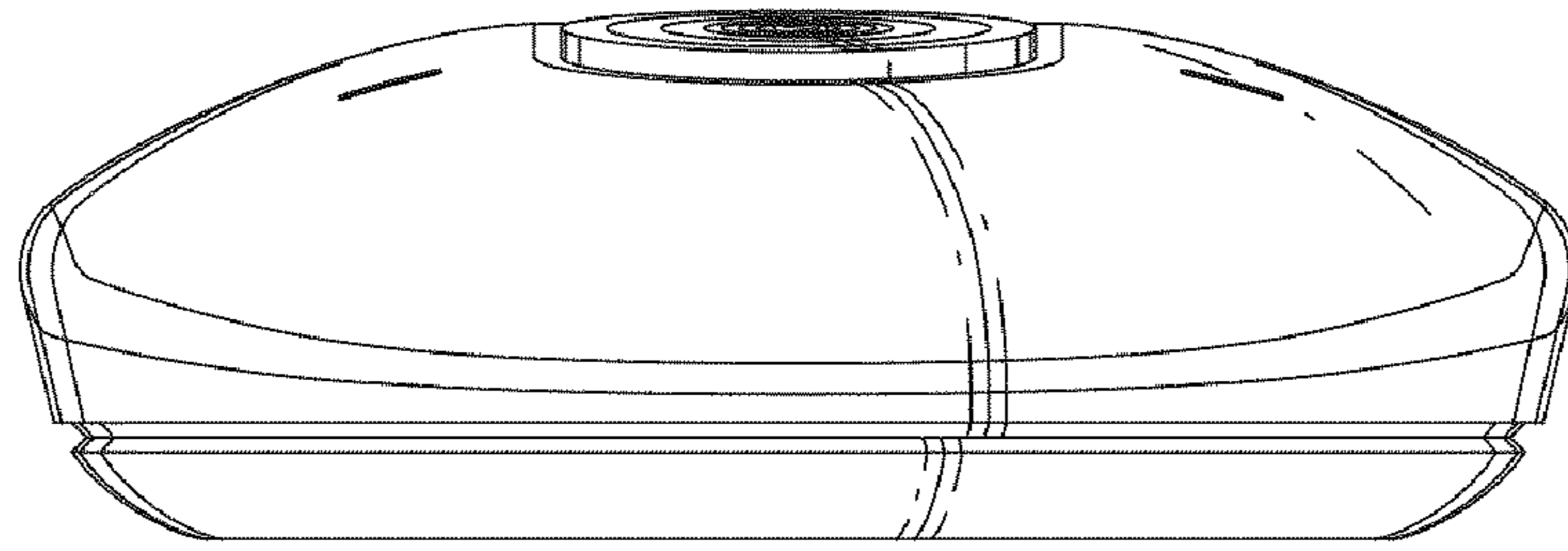


FIG. 7

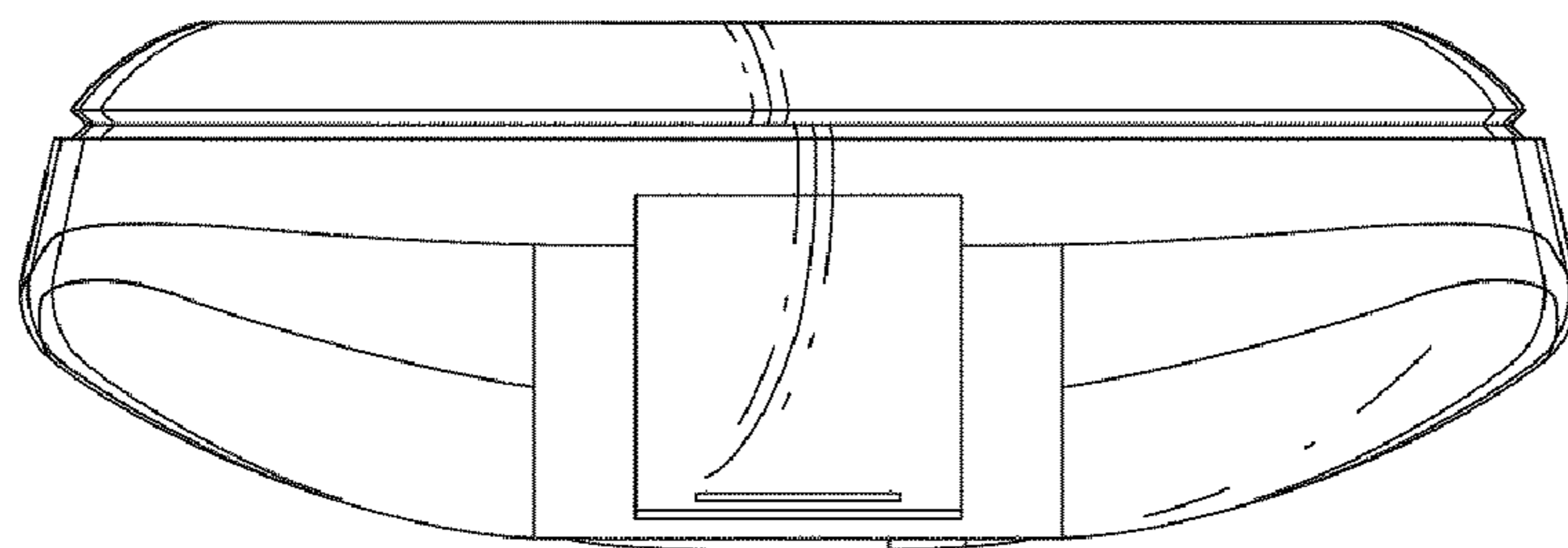


FIG. 8

