



US00D656525S

(12) **United States Design Patent**
Mochizuki et al.

(10) **Patent No.:** **US D656,525 S**
(45) **Date of Patent:** **** Mar. 27, 2012**

(54) **CONTROLLER FOR SOLDERING**
(75) Inventors: **Toshikazu Mochizuki**, Osaka (JP);
Kaori Fujie, Osaka (JP)
(73) Assignee: **Hakko Corporation**, Osaka (JP)
(**) Term: **14 Years**
(21) Appl. No.: **29/401,363**
(22) Filed: **Sep. 11, 2011**

(30) **Foreign Application Priority Data**
Mar. 10, 2011 (JP) D2011-005463
(51) **LOC (9) Cl.** **15-09**
(52) **U.S. Cl.** **D15/144.2**
(58) **Field of Classification Search** D8/29.1,
D8/30; D13/123, 133; D15/144, 144.1,
D15/144.2; 219/125.1, 130.5, 132, 241,
219/606; 228/8, 20, 51, 111.5
See application file for complete search history.

(56) **References Cited**
U.S. PATENT DOCUMENTS
4,418,268 A * 11/1983 Munshaw 219/242
D274,882 S * 7/1984 Rittmann D15/144
D277,636 S * 2/1985 Rittmann D15/144
D357,263 S * 4/1995 Soderholm D15/144.2
D375,904 S * 11/1996 Fukuda D10/50
D415,435 S * 10/1999 Yoshimura D10/50

D424,077 S * 5/2000 Abed et al. D15/144
D490,448 S * 5/2004 Ishihara D15/144
D550,731 S * 9/2007 Ishihara et al. D15/144.2
D576,459 S * 9/2008 Mochizuki D8/30
D590,853 S * 4/2009 Yokoyama et al. D15/144.2
D620,328 S * 7/2010 Masaki D8/30
2006/0043082 A1 * 3/2006 Martin et al. 219/130.5
* cited by examiner

Primary Examiner — Patricia Palasik
(74) *Attorney, Agent, or Firm* — Squire Sanders (US) LLP

(57) **CLAIM**
The ornamental design for a controller for soldering, as shown and described.

DESCRIPTION

FIG. 1 is a first perspective view of a controller for soldering; FIG. 2 is a second perspective view thereof; FIG. 3 is a front view thereof; FIG. 4 is a left side view thereof; FIG. 5 is a right side view thereof; FIG. 6 is a top view thereof; and, FIG. 7 is a bottom view thereof. The portion shown by broken lines is for illustrative purposes only and forms no part of the claimed design. The dashed lines show a borderline between the claimed design and other portion.

1 Claim, 7 Drawing Sheets

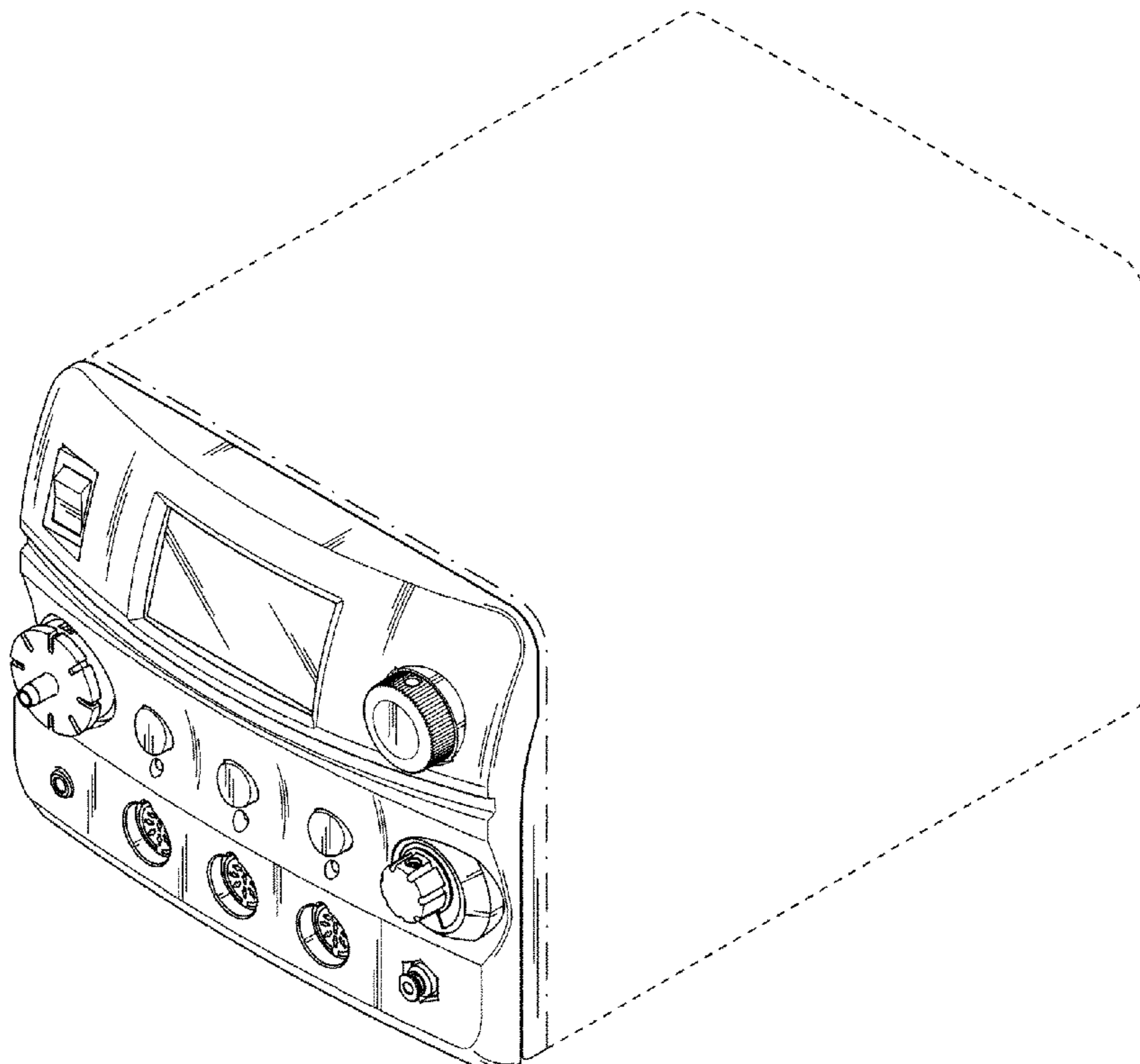


FIG. 1

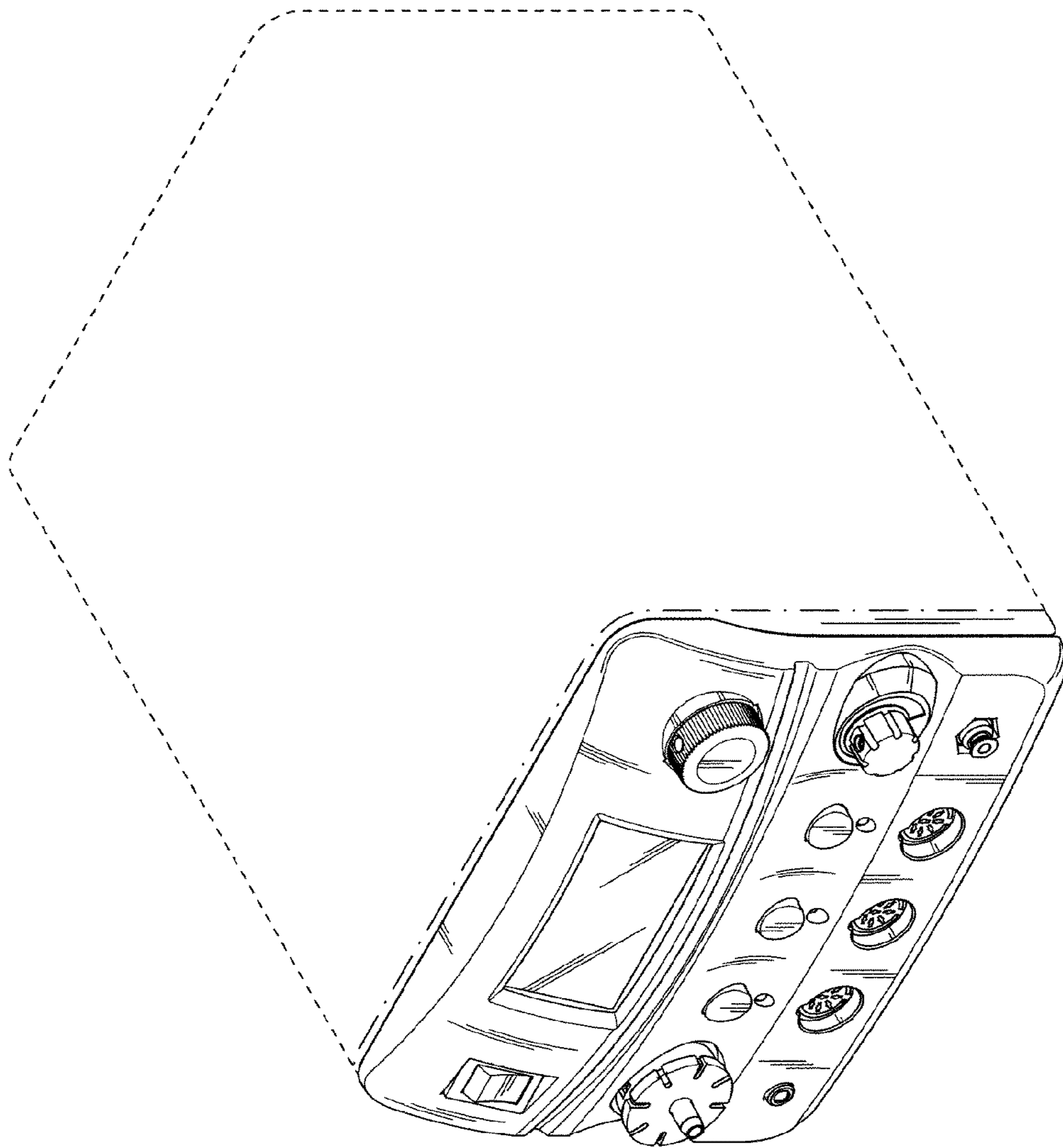
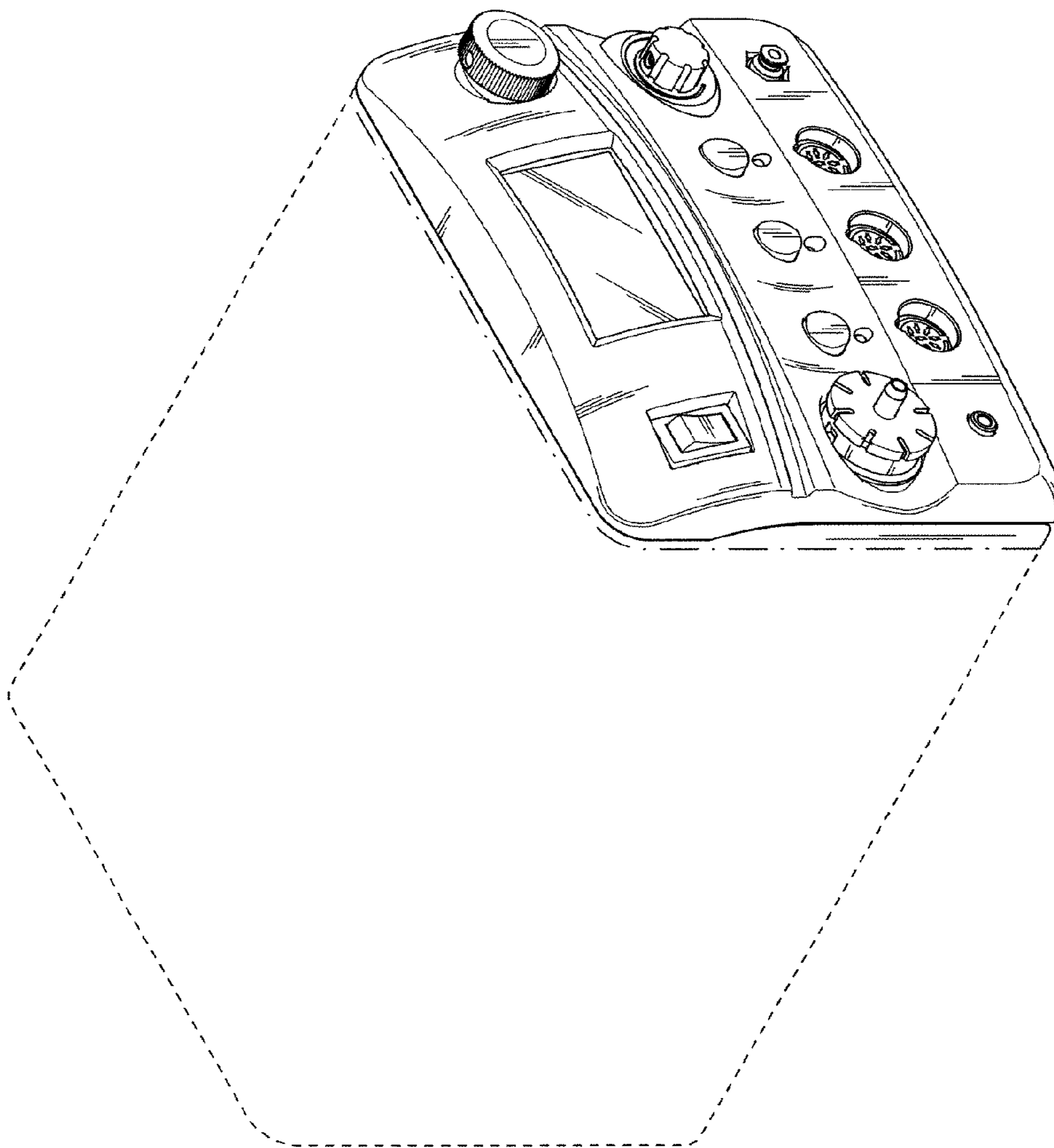


FIG. 2



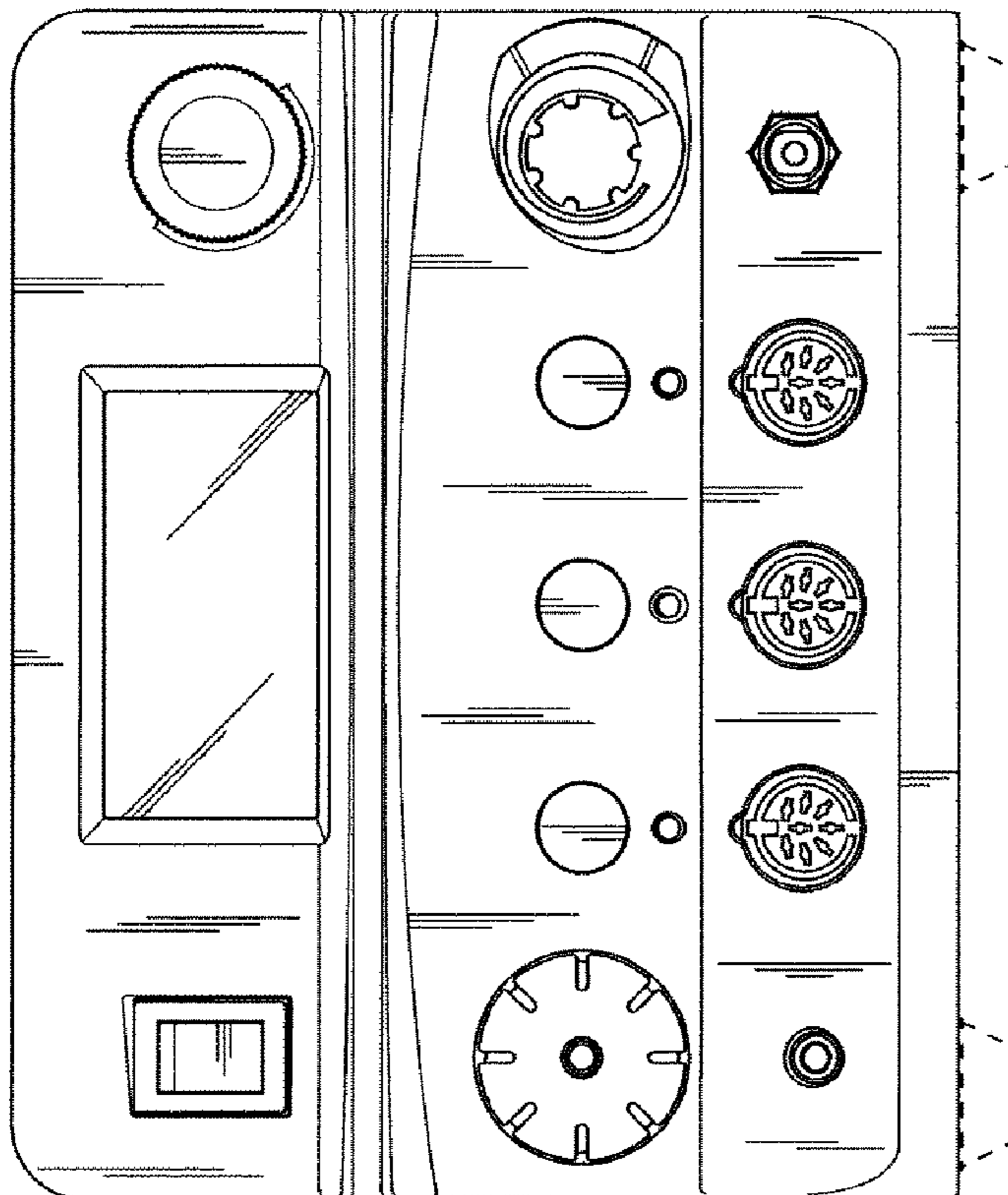


FIG.3

FIG.4

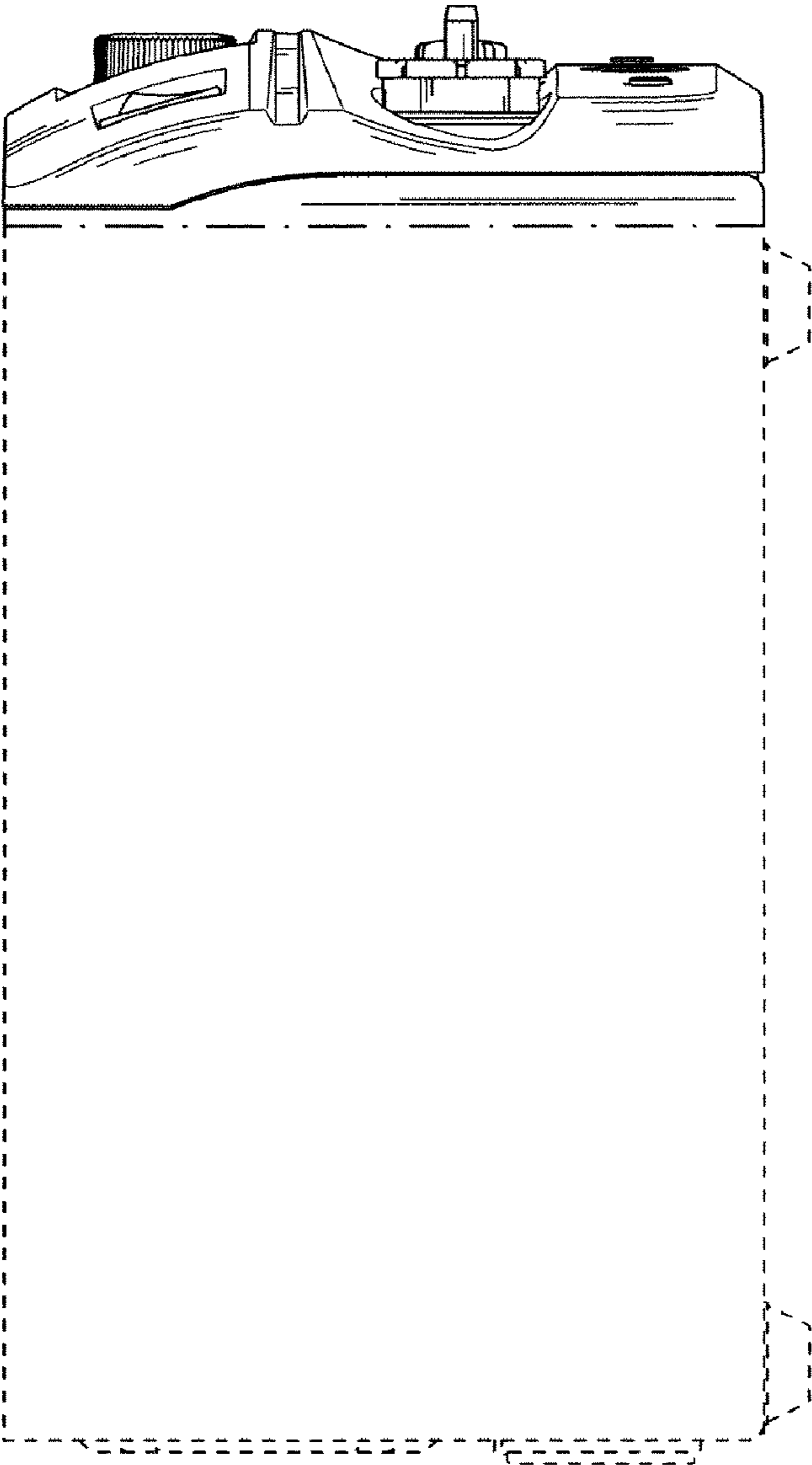


FIG. 5

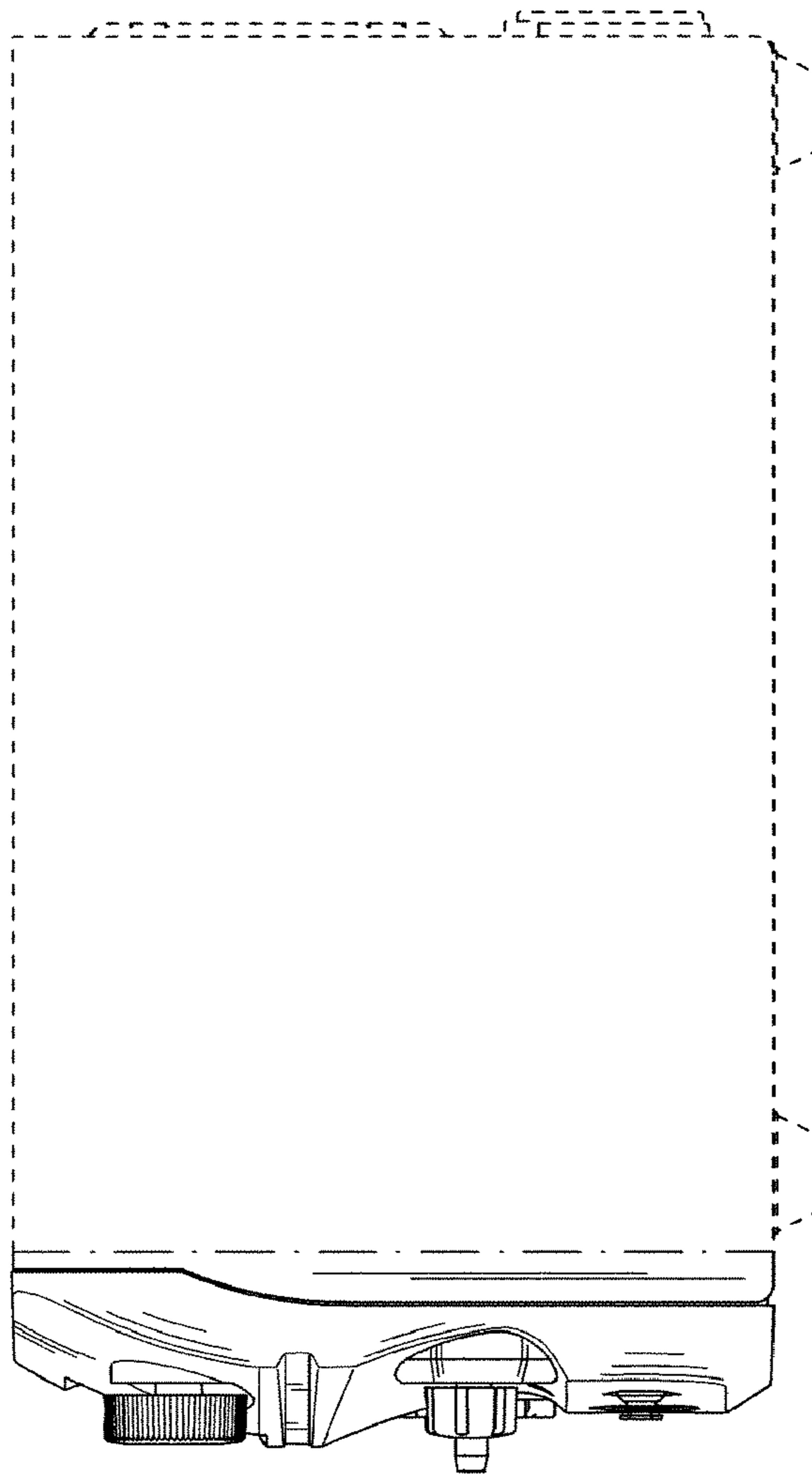




FIG.6

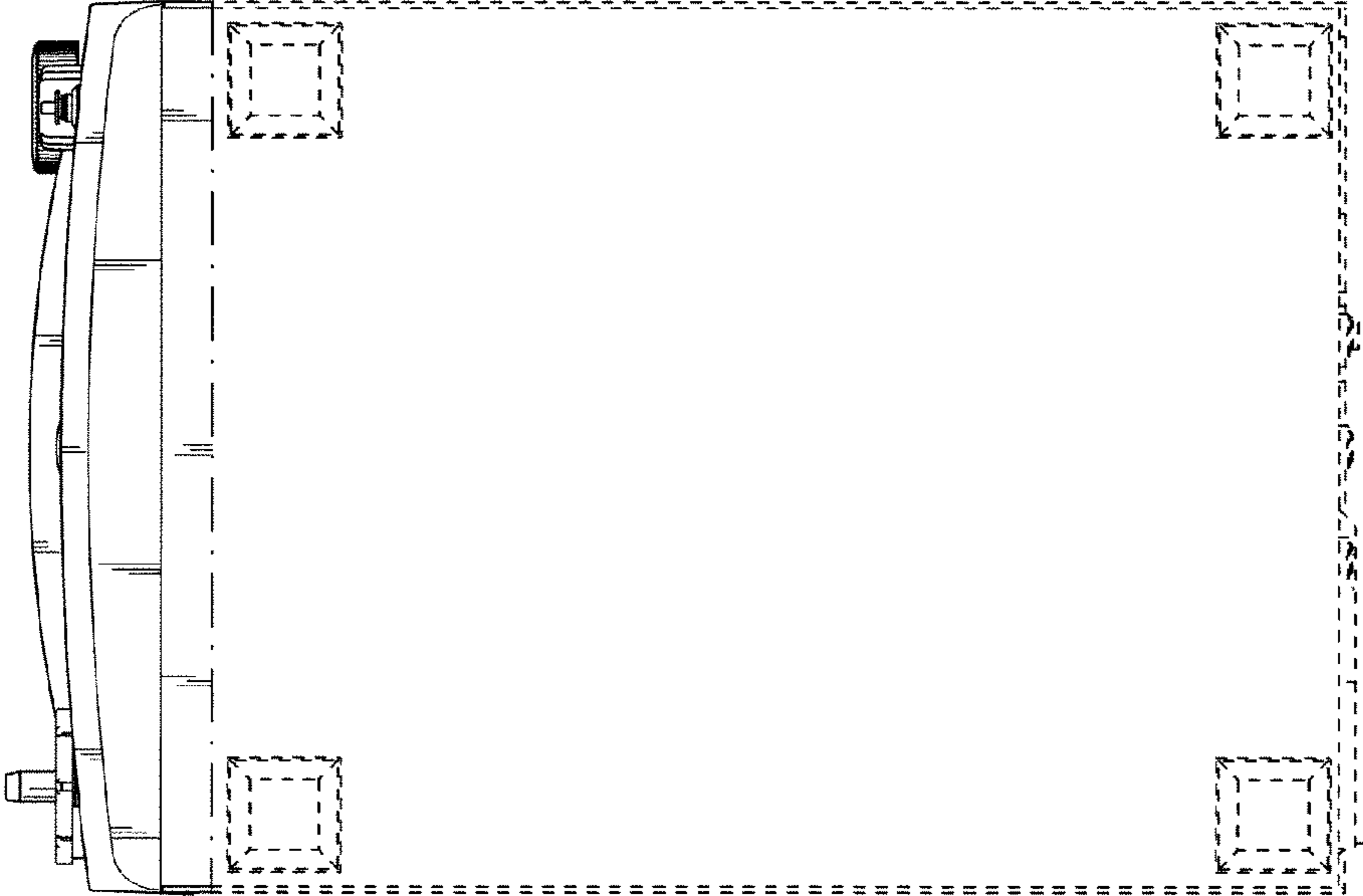


FIG.7