



US00D656524S

(12) **United States Design Patent**
Karwowicz

(10) **Patent No.:** **US D656,524 S**
(45) **Date of Patent:** **** Mar. 27, 2012**

(54) **BARRETTE MAKER**
(75) Inventor: **Julie Karwowicz**, Macomb, MI (US)
(73) Assignee: **Crorey Creations, Inc.**, Clinton Township, MI (US)

D257,257 S 10/1980 McArthur
4,401,329 A 8/1983 Pedroia
6,719,013 B1 4/2004 D'Estais
7,147,008 B2 12/2006 Saylor
D563,997 S 3/2008 Gustin
D619,150 S * 7/2010 Crorey D15/78
D626,574 S * 11/2010 Crorey D15/78

(**) Term: **14 Years**

FOREIGN PATENT DOCUMENTS

(21) Appl. No.: **29/389,813**

JP 01256315 A 10/1989
WO 2006053909 A1 5/2006

(22) Filed: **Apr. 18, 2011**

* cited by examiner

(51) **LOC (9) Cl.** **15-06**

Primary Examiner — Mitchell Siegel

(52) **U.S. Cl.** **D15/78**

(74) *Attorney, Agent, or Firm* — Young Basile

(58) **Field of Classification Search** D15/66,
D15/78; D6/324, 327; D3/18, 21, 25; 28/151,
28/152; 29/241, 433; 66/4; 139/29
See application file for complete search history.

(57) **CLAIM**

The ornamental design for a barrette maker, as shown and described.

(56) **References Cited**

DESCRIPTION

U.S. PATENT DOCUMENTS

758,376 A 4/1904 Mees
2,043,082 A 6/1936 Wallach
2,072,668 A 3/1937 Eltgroth
D134,208 S 10/1942 McCrary
D142,530 S 10/1945 Rosenblatt
2,601,222 A 6/1952 Wehrli
D204,442 S 4/1966 Brawley, Jr.
3,545,069 A 12/1970 Krieger
3,650,010 A 3/1972 Powell, Jr.
3,708,862 A 1/1973 Powell, Jr.
3,800,372 A 4/1974 Daoust
D238,812 S 2/1976 Fioretti

FIG. 1 is a perspective view of a barrette maker showing my new design;

FIG. 2 is a front view thereof;

FIG. 3 is a right-side view thereof;

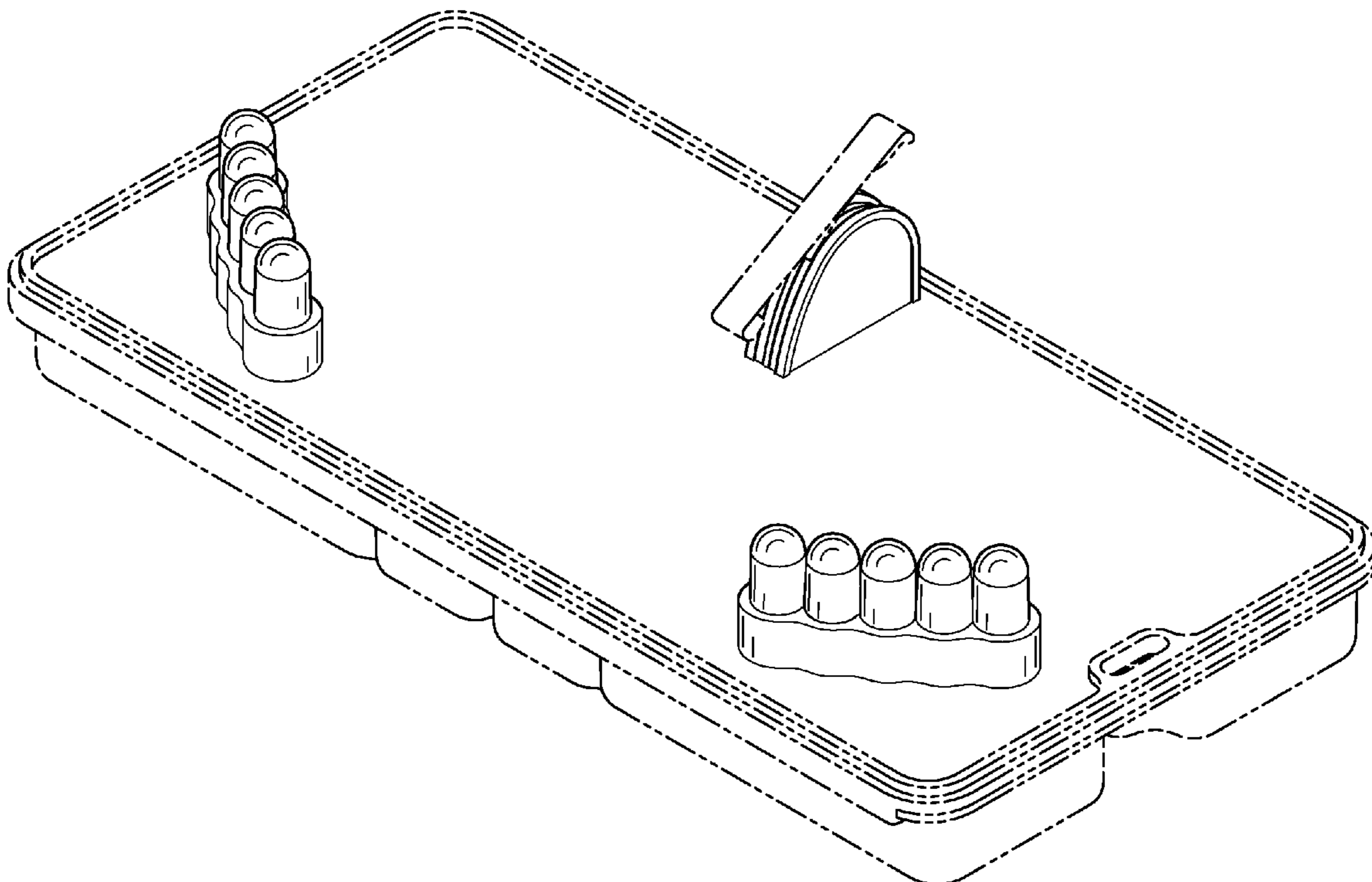
FIG. 4 is a left-side view thereof;

FIG. 5 is a rear view thereof; and,

FIG. 6 is a top plan view thereof.

The broken lines showing the base, cover plate, and barrette of the barrette maker in FIGS. 1-6 are illustrative of environmental structure only and form no part of the claimed design.

1 Claim, 4 Drawing Sheets



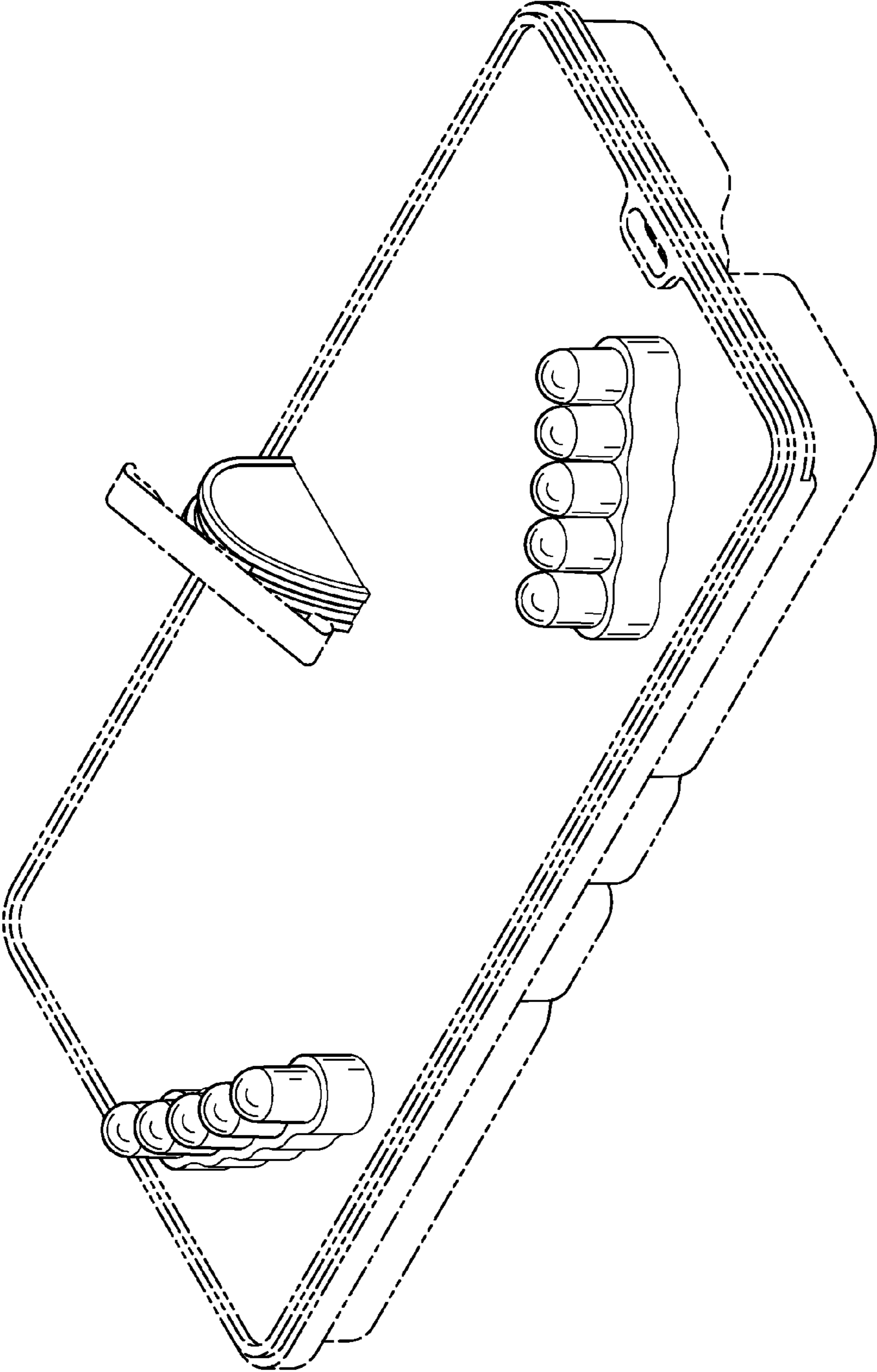


FIG. 1

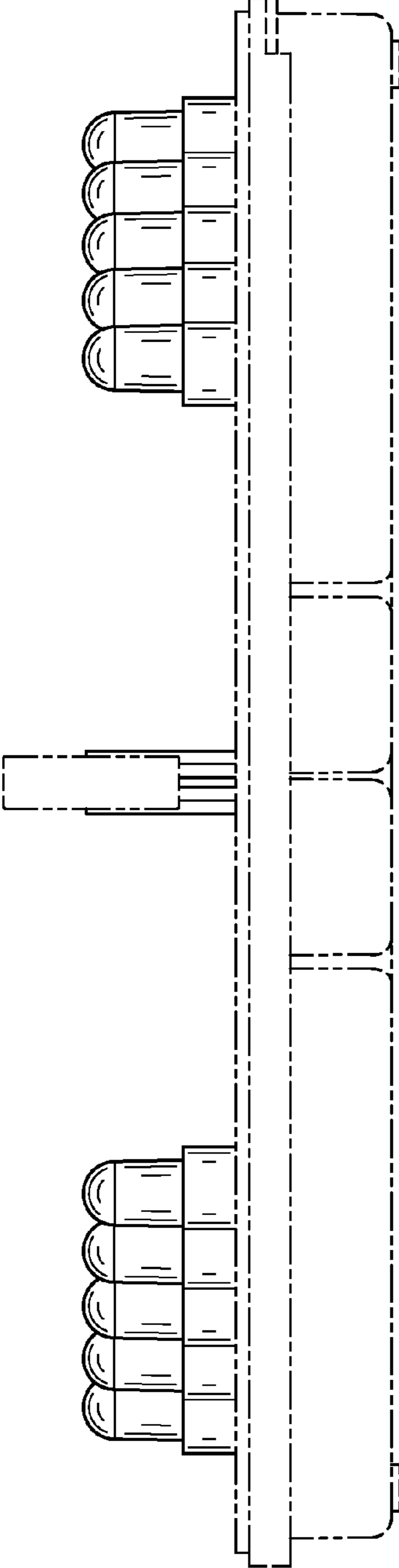


FIG. 2

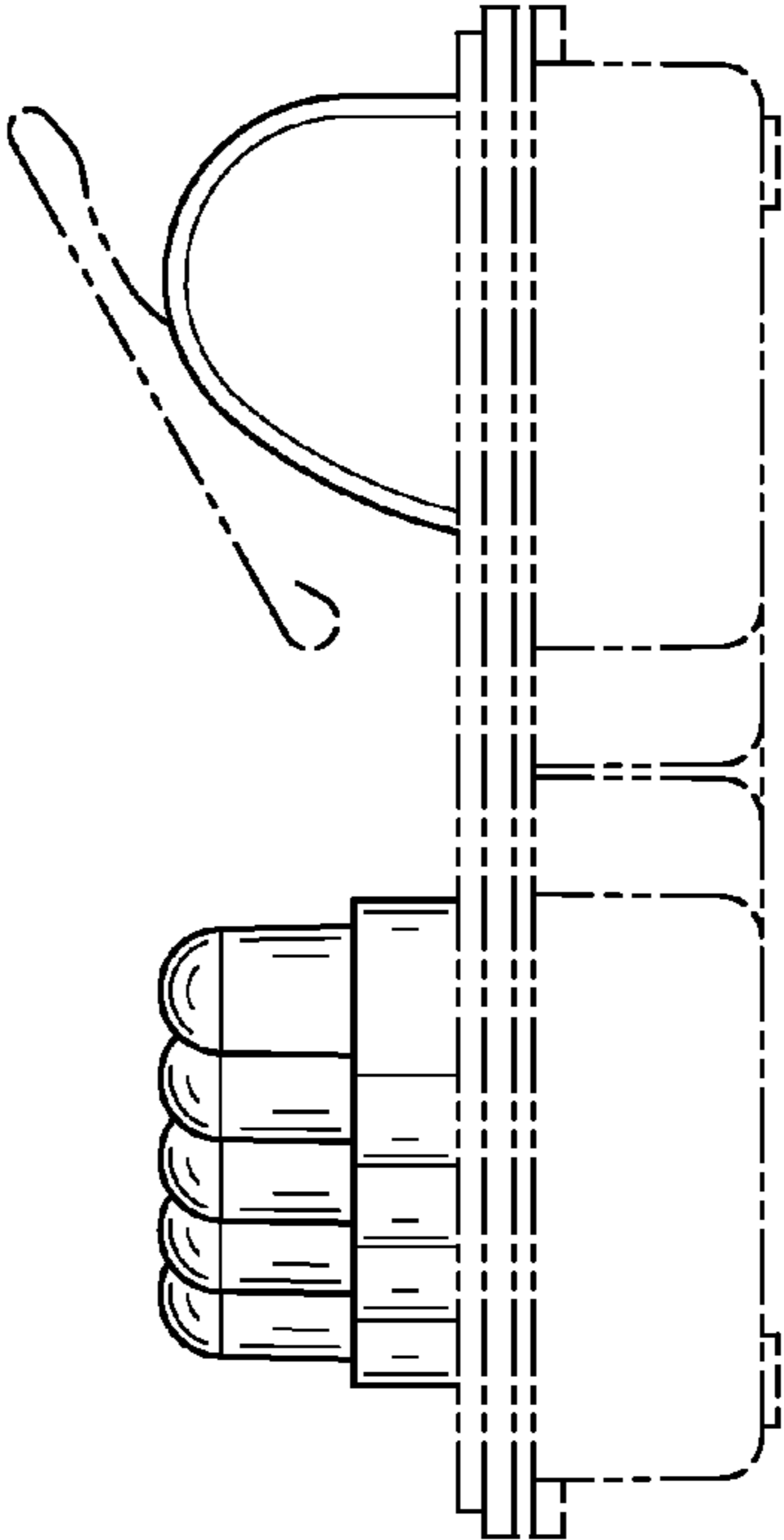


FIG. 3

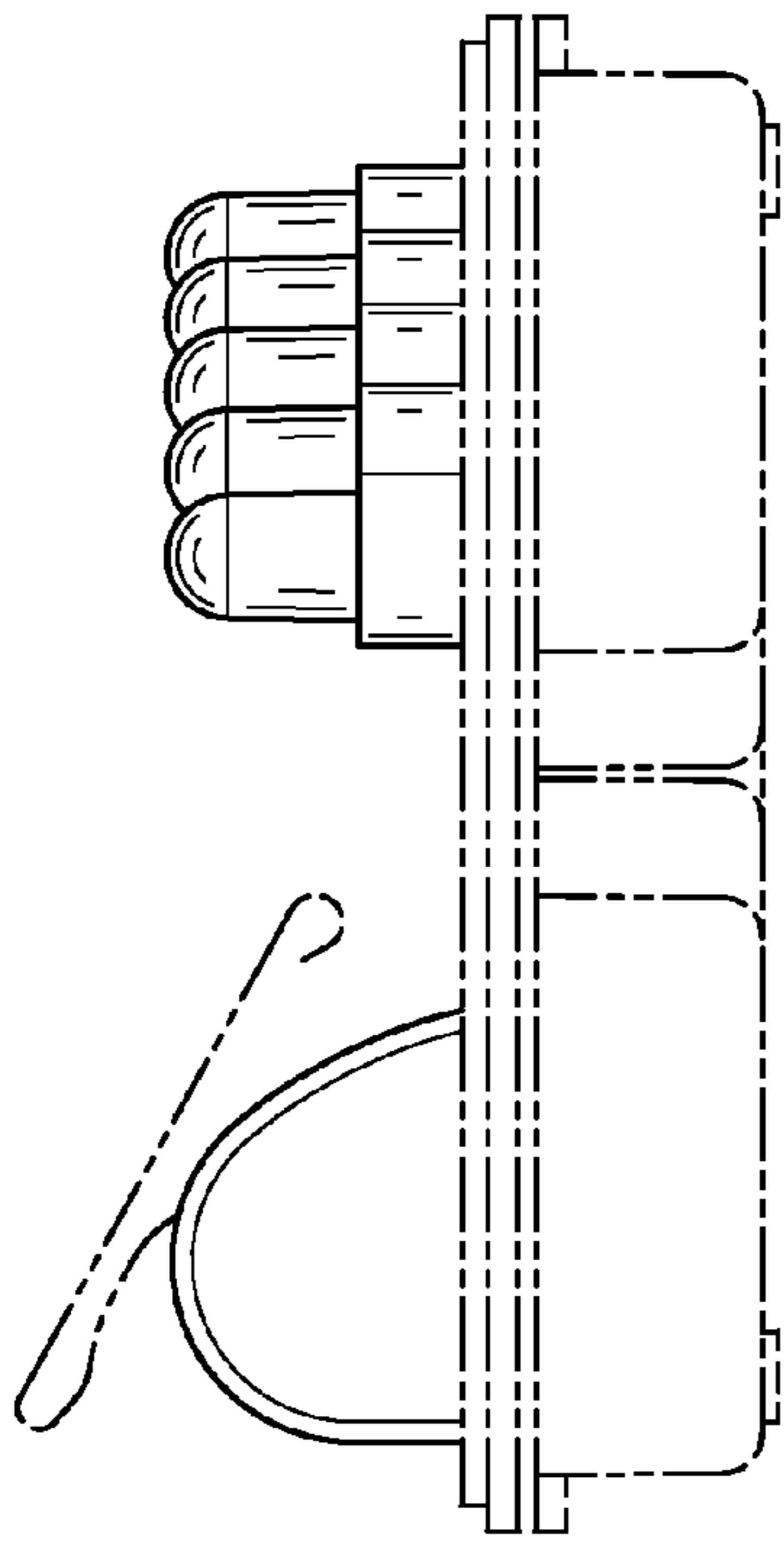


FIG. 4

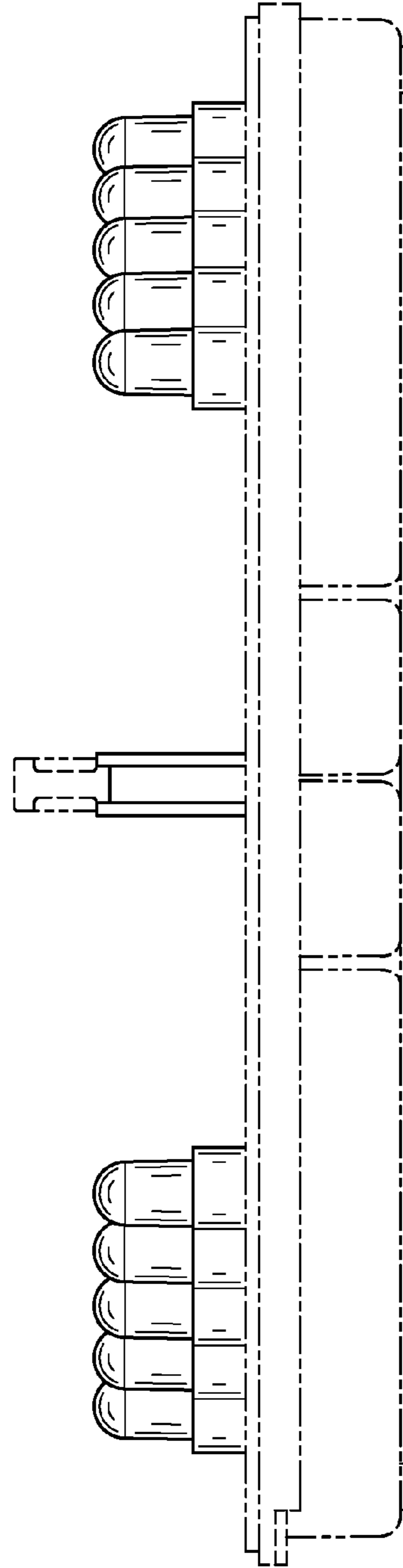


FIG. 5

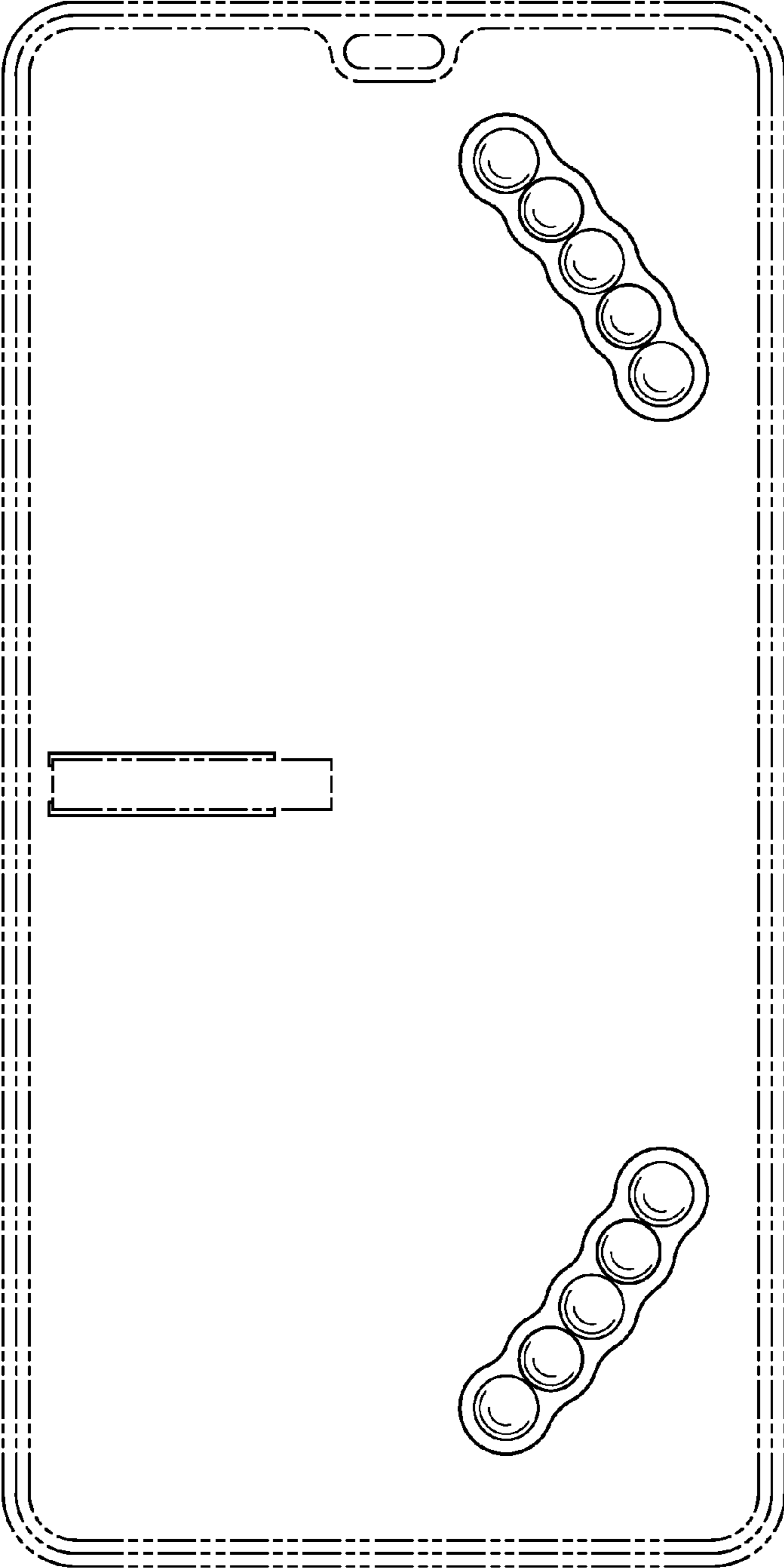


FIG. 6