



US00D656520S

(12) **United States Design Patent**
Örtlund et al.

(10) **Patent No.:** **US D656,520 S**
(45) **Date of Patent:** **** Mar. 27, 2012**

(54) **LAWN CARE VEHICLE FUEL TANK WITH VIEWING WINDOW**

(75) Inventors: **Johan Örtlund**, Ödeshög (SE);
Rajinder Mehra, Johanneshov (SE)

(73) Assignee: **Husqvarna AB**, Huskvarna (SE)

(**) Term: **14 Years**

(21) Appl. No.: **29/408,315**

(22) Filed: **Dec. 9, 2011**

(51) **LOC (9) Cl.** **15-03**

(52) **U.S. Cl.** **D15/17; D12/218**

(58) **Field of Classification Search** D15/10,
D15/14, 15, 17, 22-26, 28, 33; 56/12.1,
56/12.7, 12.8, 13.4, 13.7, 16.7, 17.1, 17.5,
56/202, 255, 320.1-320.2; 180/89.1, 311;
D12/218, 121

See application file for complete search history.

(56) **References Cited**

U.S. PATENT DOCUMENTS

D214,435 S *	6/1969	Naeve	D12/218
D219,011 S *	10/1970	Marushak et al.	D12/218
D392,981 S *	3/1998	Smith	D15/15
D397,121 S *	8/1998	Smith	D15/15
D433,425 S *	11/2000	SurrIDGE et al.	D15/17
D441,710 S *	5/2001	Moehle et al.	D12/218
D448,036 S *	9/2001	Goebert et al.	D15/17
D457,175 S *	5/2002	Goebert et al.	D15/33

D474,425 S *	5/2003	Smith et al.	D12/114
D562,350 S *	2/2008	Higashikawa	D15/17
D591,775 S *	5/2009	Kokitkar et al.	D15/28
D618,711 S *	6/2010	Tokuhara	D15/28
D644,160 S *	8/2011	Fries et al.	D12/218
D644,161 S *	8/2011	Fries et al.	D12/218

* cited by examiner

Primary Examiner — Mark Goodwin

(74) *Attorney, Agent, or Firm* — Nelson Mullins; Riley & Scarborough LLP

(57) **CLAIM**

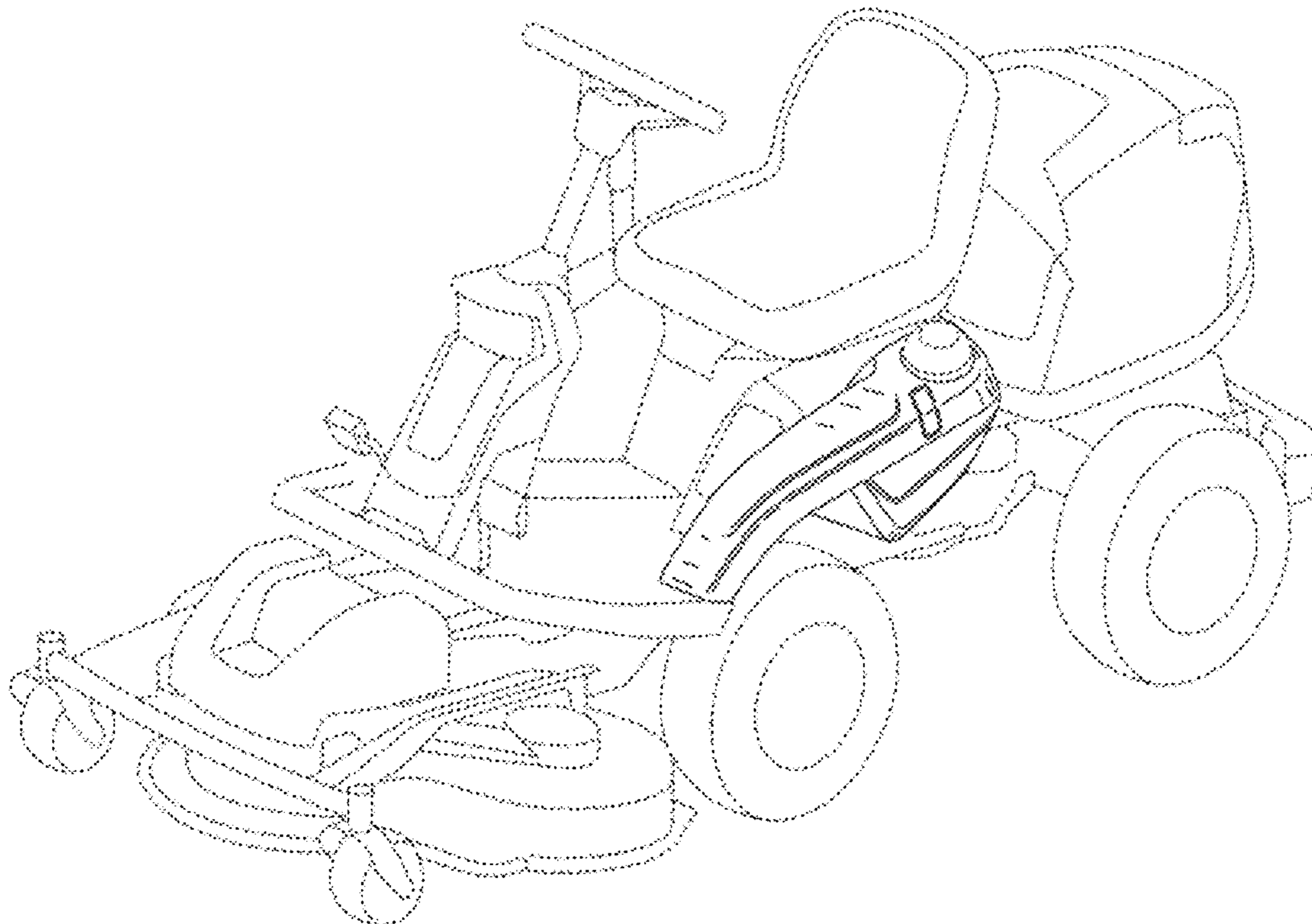
The ornamental design for a lawn care vehicle fuel tank with viewing window, as shown and described.

DESCRIPTION

FIG. 1 is a top perspective view of a lawn care vehicle fuel tank with viewing window showing our new design; FIG. 2 is a front view of the lawn care vehicle of FIG. 1; FIG. 3 is a rear view of the lawn care vehicle of FIG. 1; FIG. 4 is a left side view of the lawn care vehicle of FIG. 1; FIG. 5 is a top plan view of the lawn care vehicle of FIG. 1; and, FIG. 6 is a bottom plan view of the lawn care vehicle of FIG. 1.

The broken lines of FIGS. 1-6 are illustrative of the visible environmental structure of the lawn care vehicle and form no part of the claimed design.

1 Claim, 6 Drawing Sheets



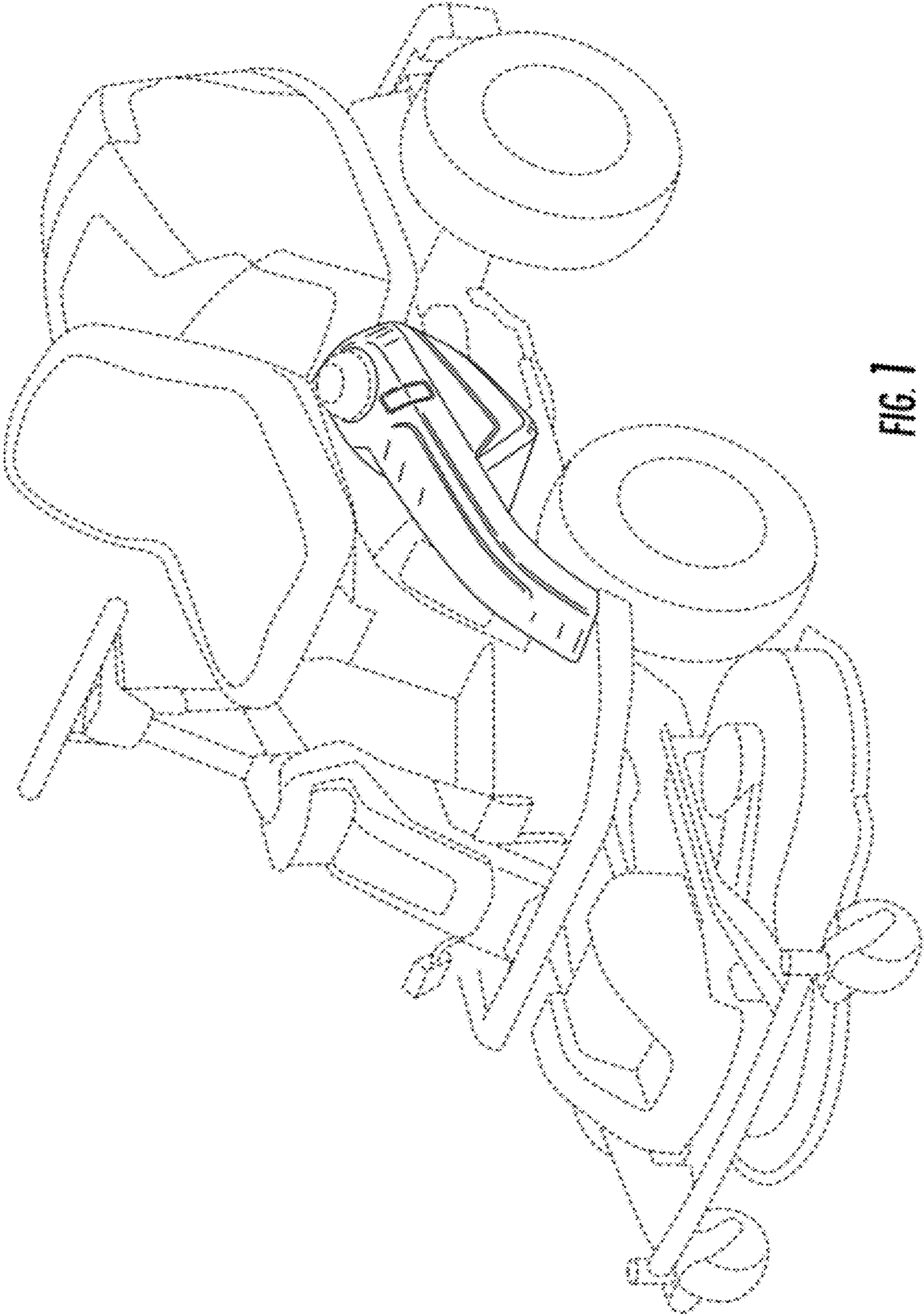


FIG. 1

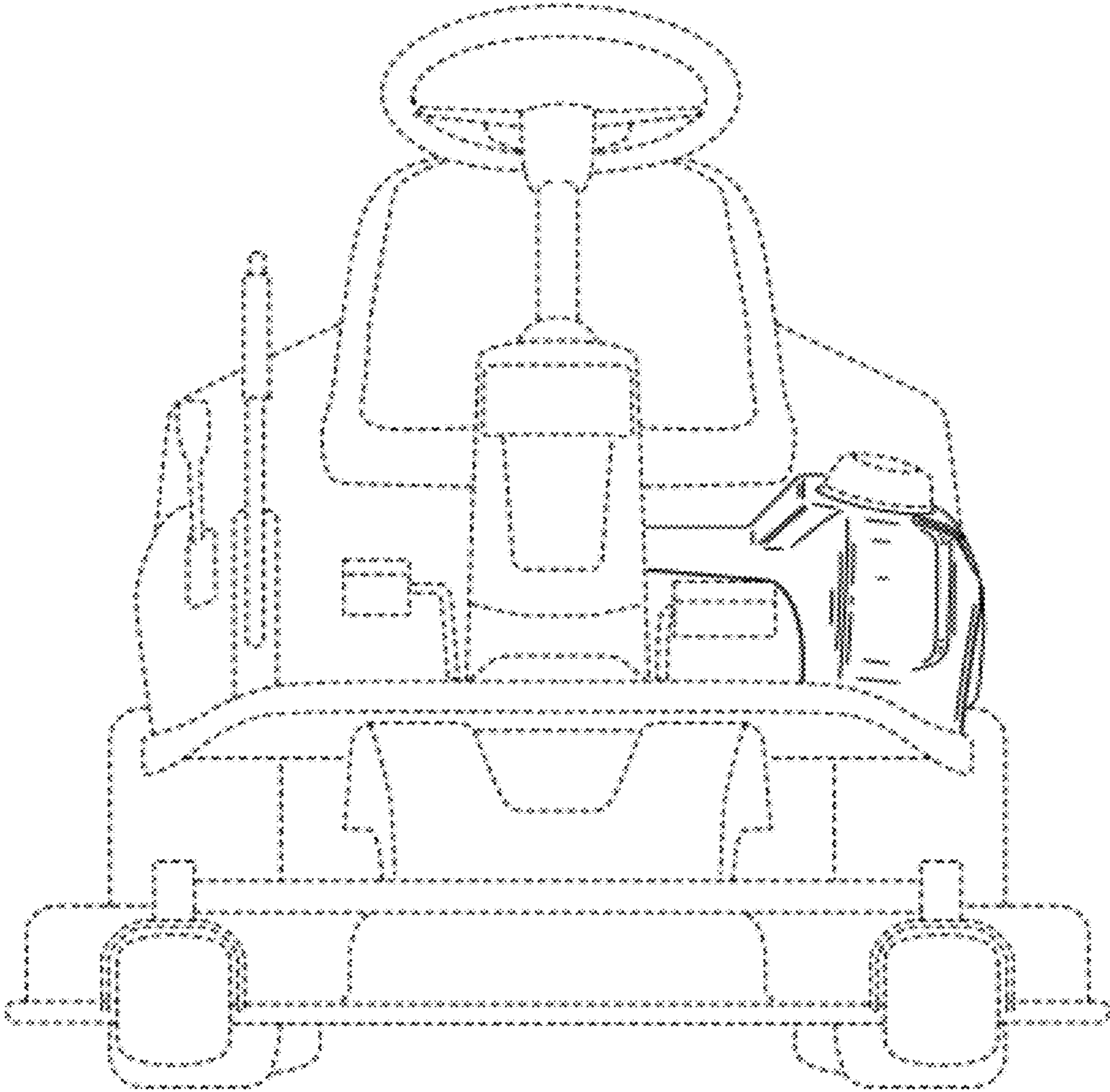


FIG. 2

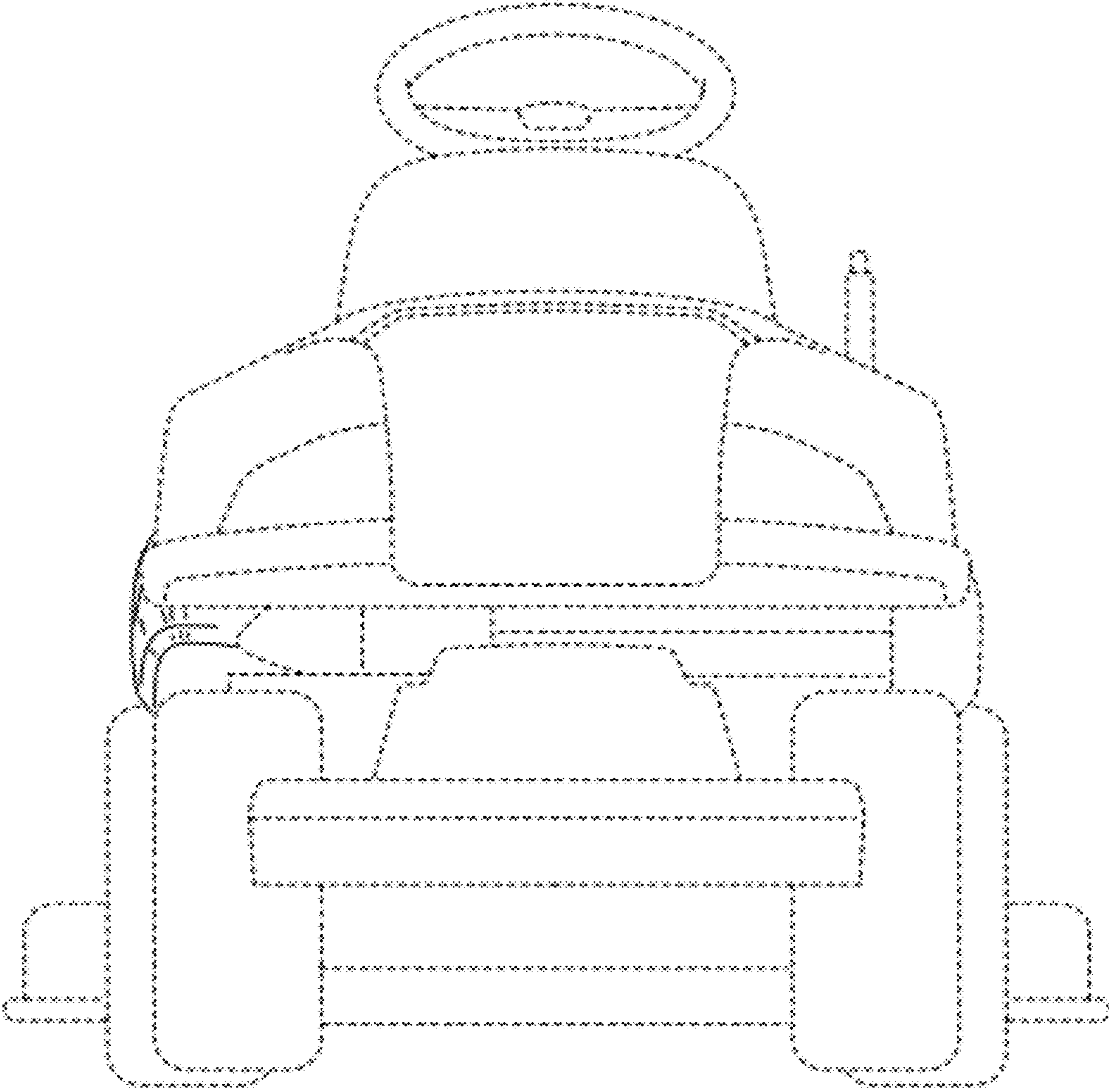


FIG. 3

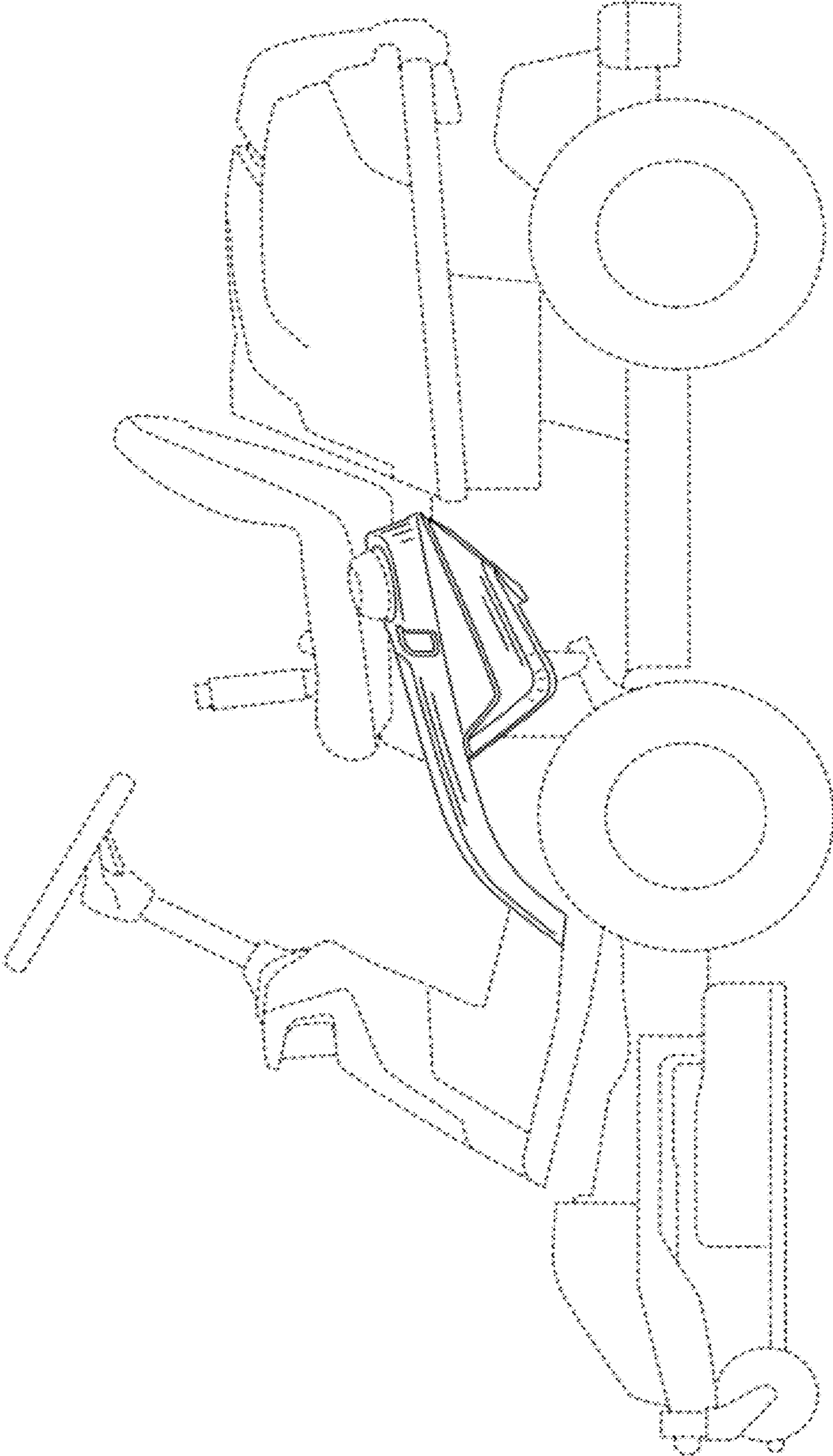


FIG. 4

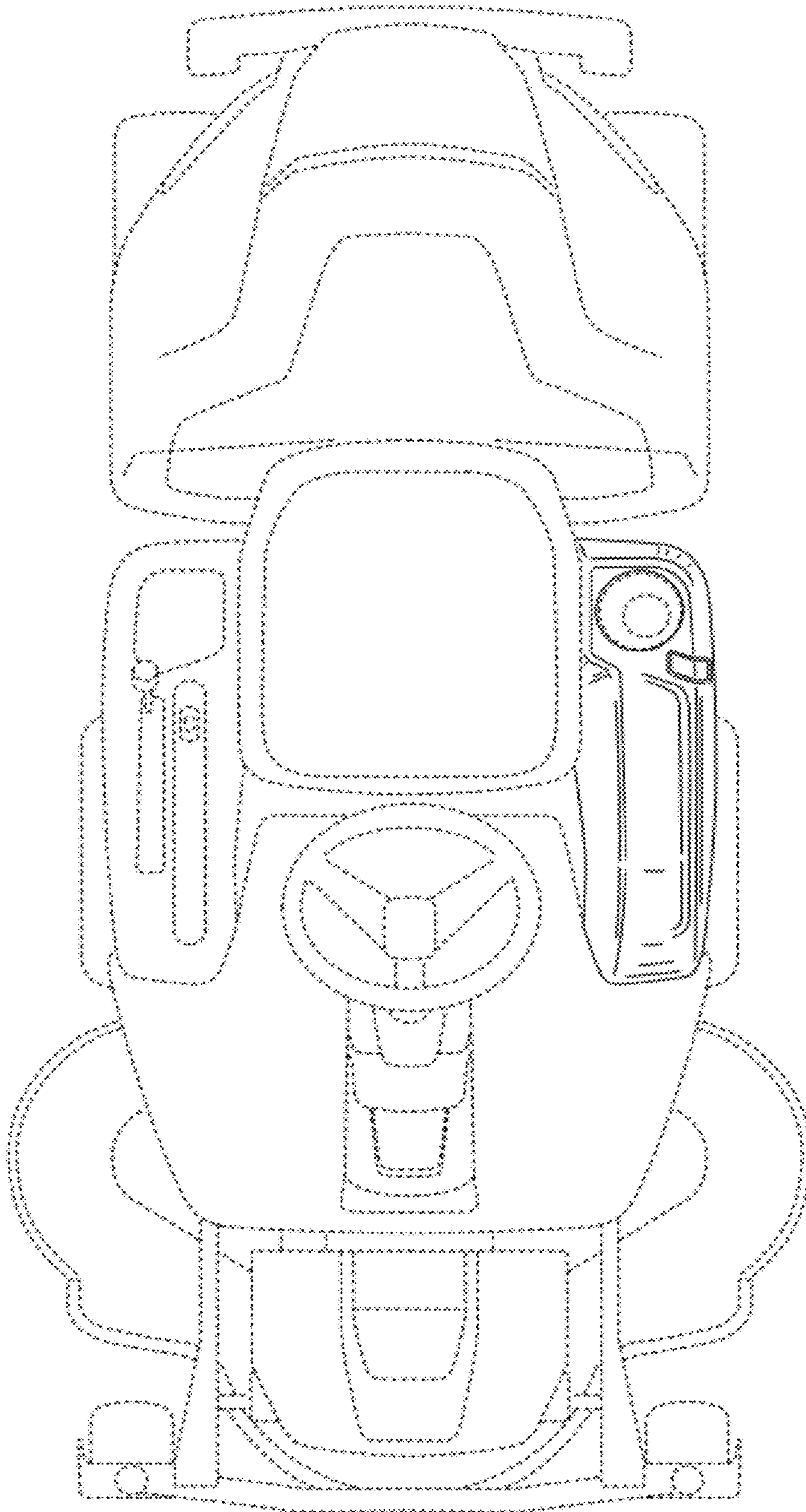


FIG. 5

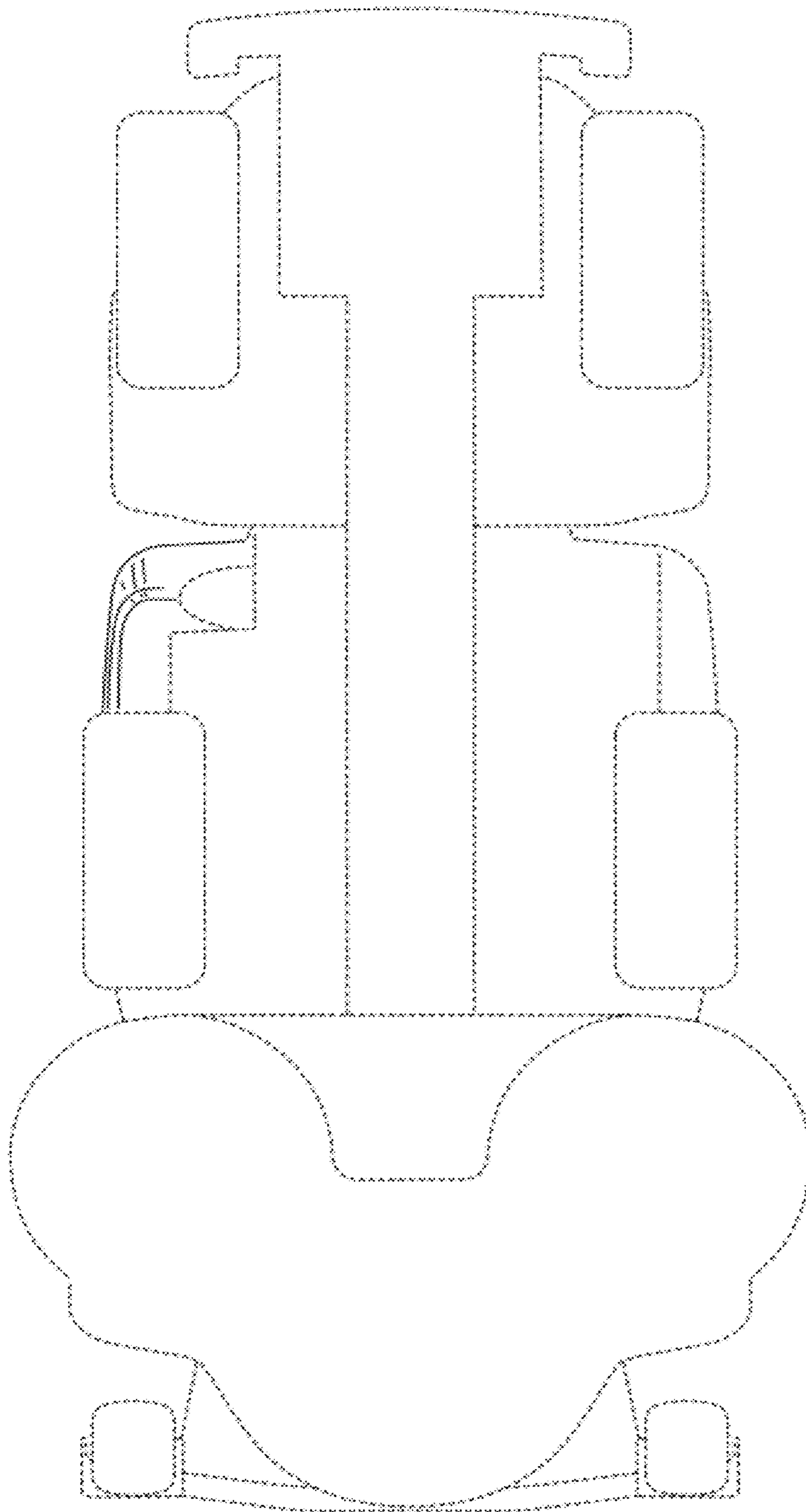


FIG. 6

UNITED STATES PATENT AND TRADEMARK OFFICE
CERTIFICATE OF CORRECTION

PATENT NO. : D656,520 S
APPLICATION NO. : 29/408315
DATED : March 27, 2012
INVENTOR(S) : Johan Örtlund and Rajinder Mehra

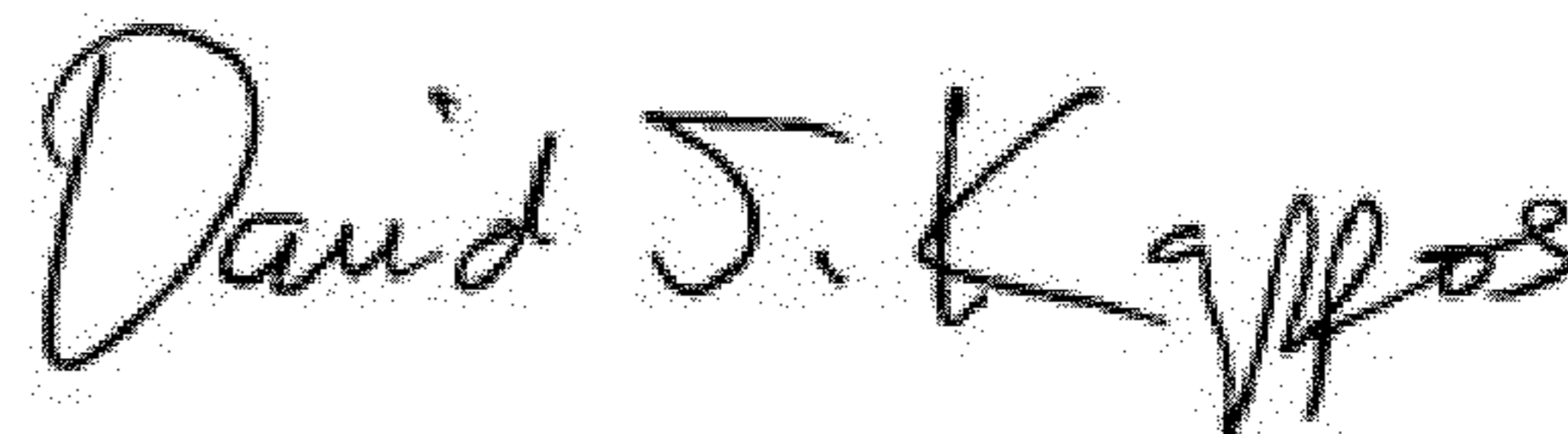
Page 1 of 1

It is certified that error appears in the above-identified patent and that said Letters Patent is hereby corrected as shown below:

Title Page,

ADD (30) Foreign Application Priority Data
June 27, 2011 (EM) 001883018

Signed and Sealed this
Thirty-first Day of July, 2012

A handwritten signature in black ink that reads "David J. Kappos". The signature is written in a cursive style with a large, stylized 'D' and 'K'.

David J. Kappos
Director of the United States Patent and Trademark Office