



US00D656518S

(12) **United States Design Patent**
Varini

(10) **Patent No.:** **US D656,518 S**
(45) **Date of Patent:** **** Mar. 27, 2012**

(54) **PUMP**

(75) Inventor: **Otto Varini**, Suzzara (IT)

(73) Assignee: **Piusi S.p.A.**, Suzzara (IT)

(**) Term: **14 Years**

(21) Appl. No.: **29/371,226**

(22) Filed: **Dec. 6, 2010**

(30) **Foreign Application Priority Data**

Jun. 18, 2010 (EM) 001220552

(51) **LOC (9) Cl.** **15-02**

(52) **U.S. Cl.** **D15/7**

(58) **Field of Classification Search** D15/7-9;
D23/231, 232, 225; 417/60, 235, 265, 321,
417/355, 358, 363, 359, 410.1, 415-416,
417/405, 900; 60/408, 412; 184/26-37;
415/140-147; 123/495, 509

See application file for complete search history.

(56) **References Cited**

U.S. PATENT DOCUMENTS

D466,522 S * 12/2002 Huang D15/7
D485,565 S * 1/2004 Martinello D15/7

D556,780 S * 12/2007 Tazioli D15/7
D562,849 S * 2/2008 Buitenhuis et al. D15/7
D573,159 S * 7/2008 Etter D15/7
D573,609 S * 7/2008 Bilger D15/7
D630,229 S * 1/2011 Dreifert D15/7

* cited by examiner

Primary Examiner — Ralf Seifert

(74) *Attorney, Agent, or Firm* — Modiano & Associati;
Albert Josif; Daniel O’Byrne

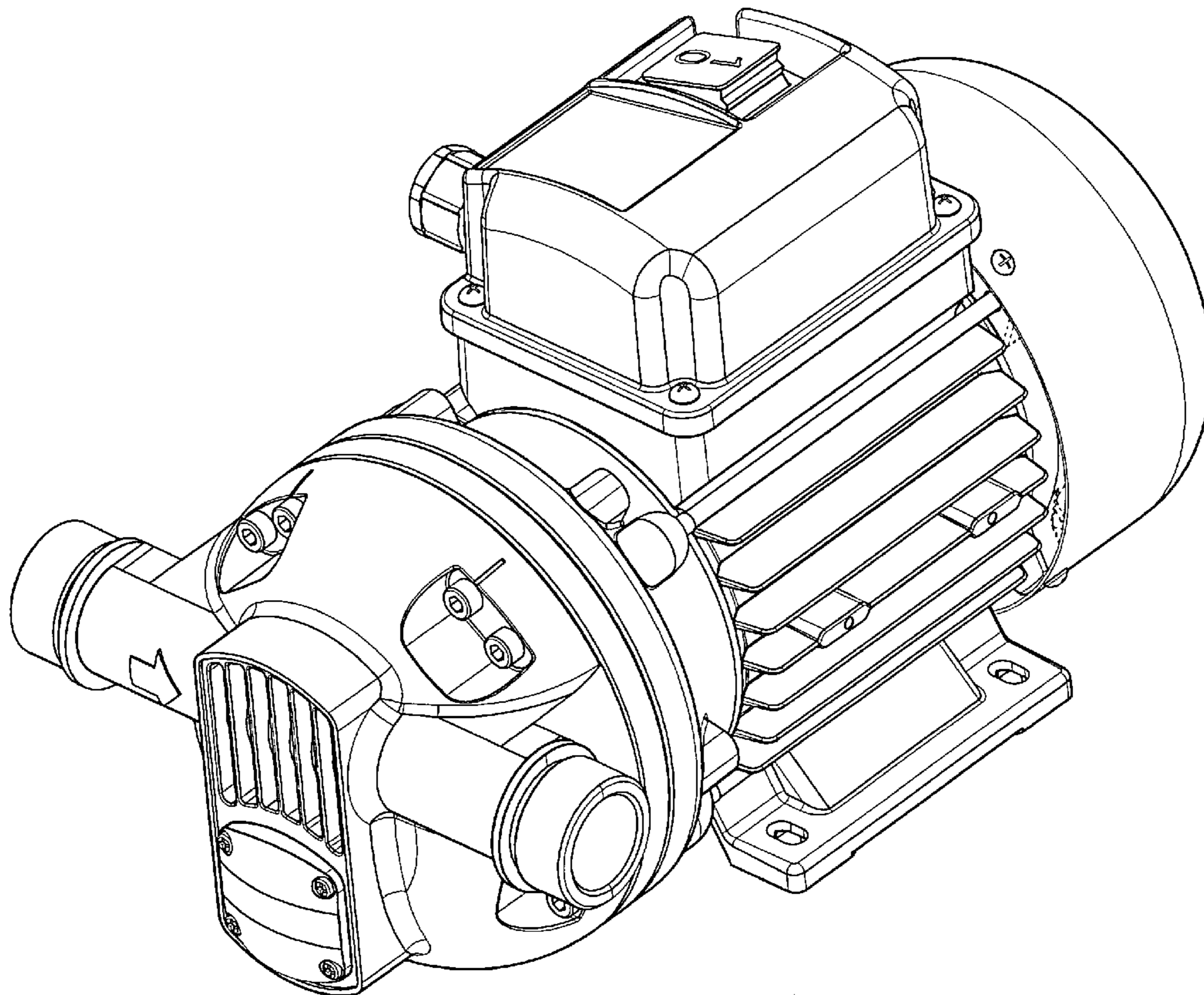
(57) **CLAIM**

The ornamental design for the “pump”, as shown and described.

DESCRIPTION

FIG. 1 is a perspective view of the pump;
FIG. 2 is a front elevation view of the pump;
FIG. 3 is a rear elevation view of the pump;
FIG. 4 is a left side elevation view of the pump;
FIG. 5 is a right side elevation view of the pump;
FIG. 6 is a plan view of the pump, taken from above; and,
FIG. 7 is plan view of the pump, taken from below.
The broken lines in FIGS. 1 through 5 and 7 are included for the purpose of illustrating portions of the pump that form no part of the claimed design.

1 Claim, 7 Drawing Sheets



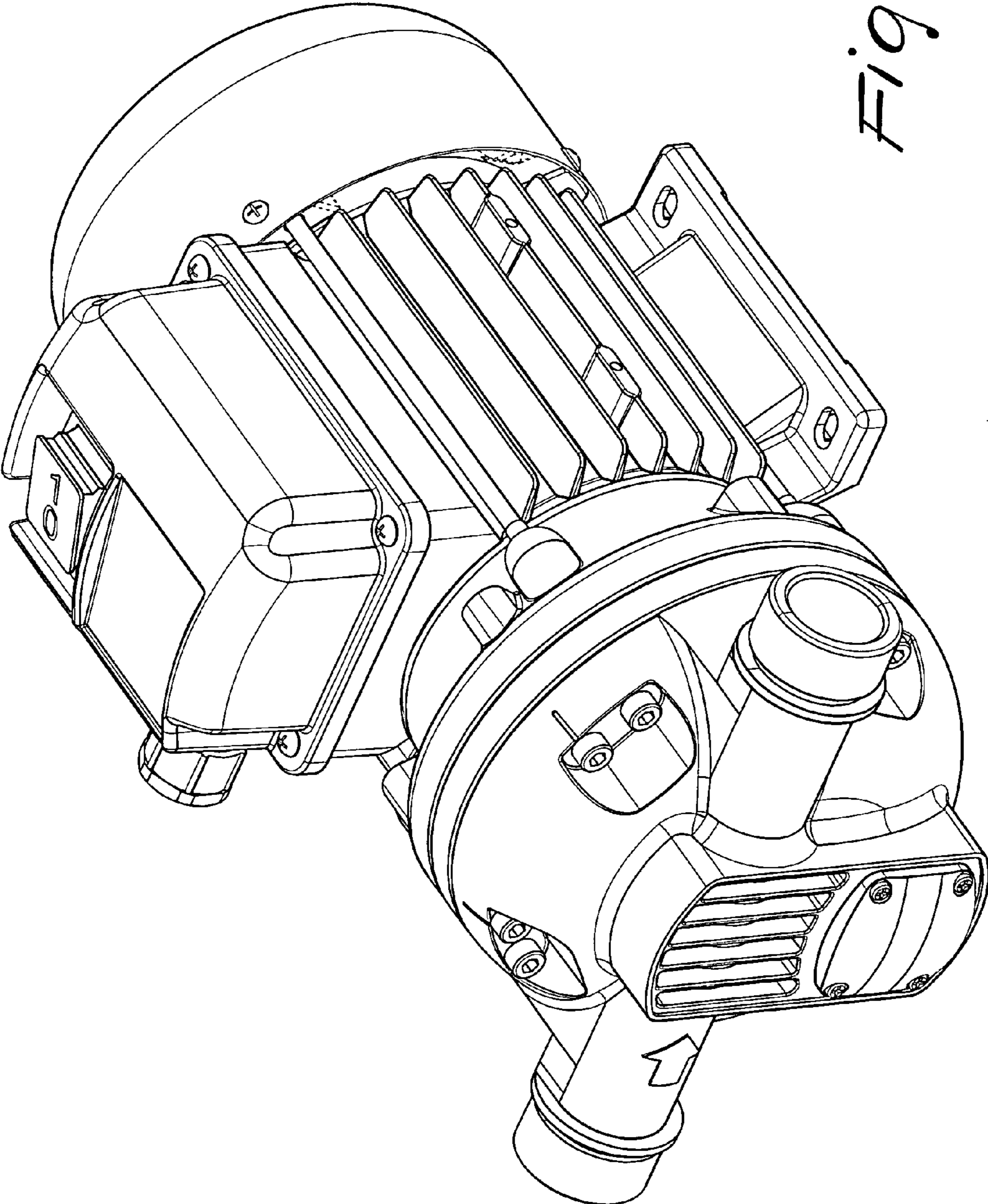


Fig. 1

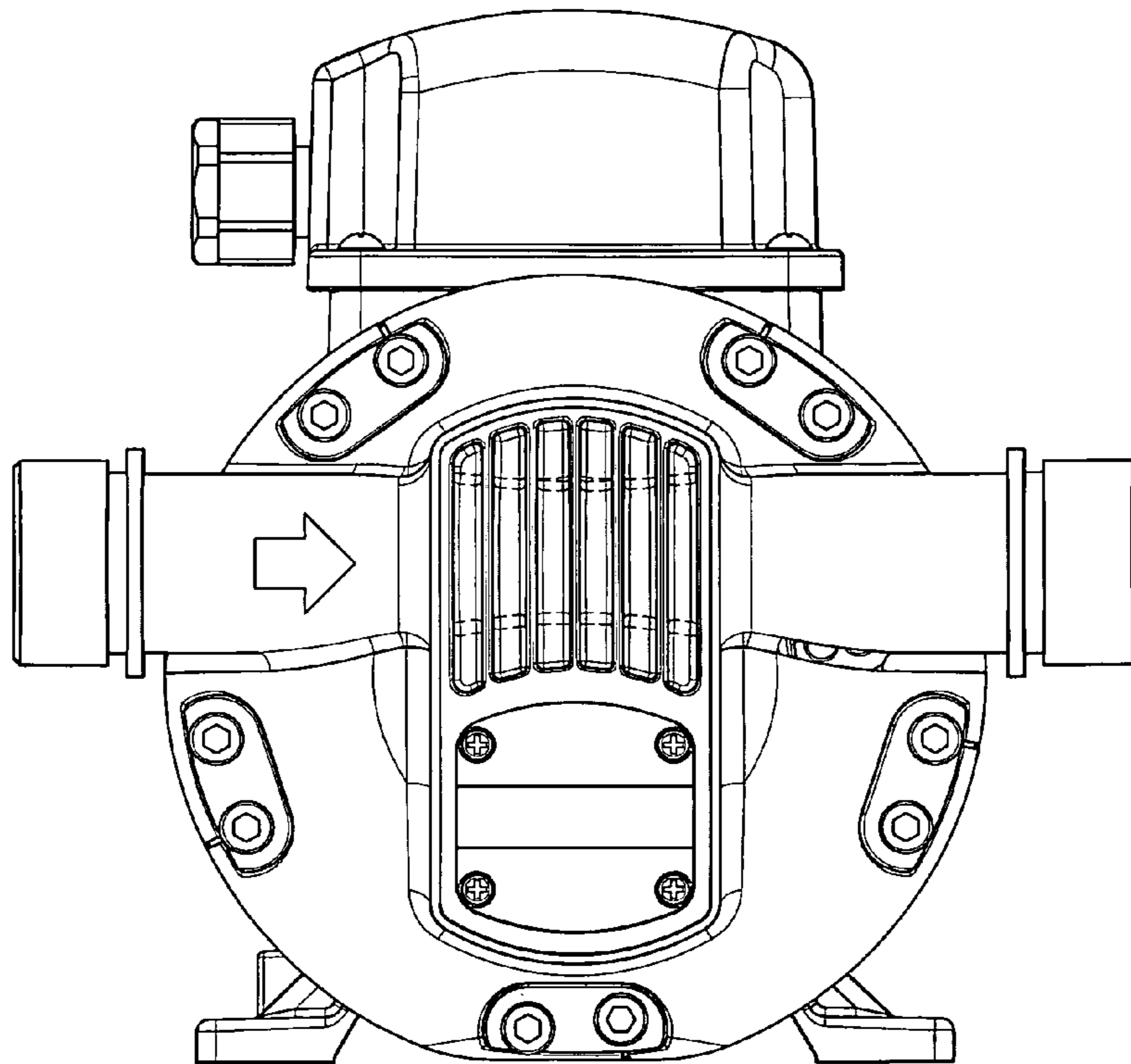


Fig. 2

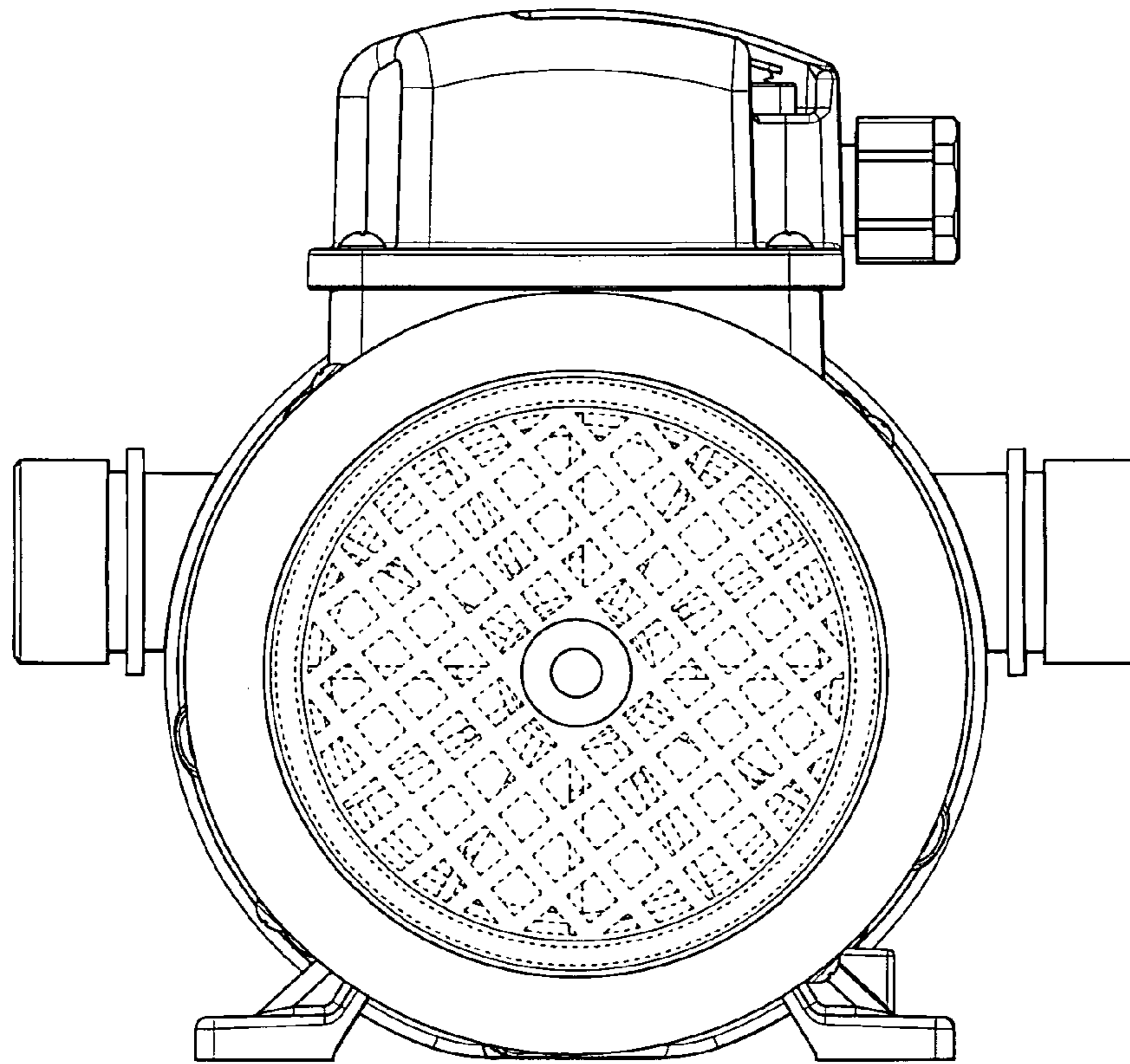


Fig. 3

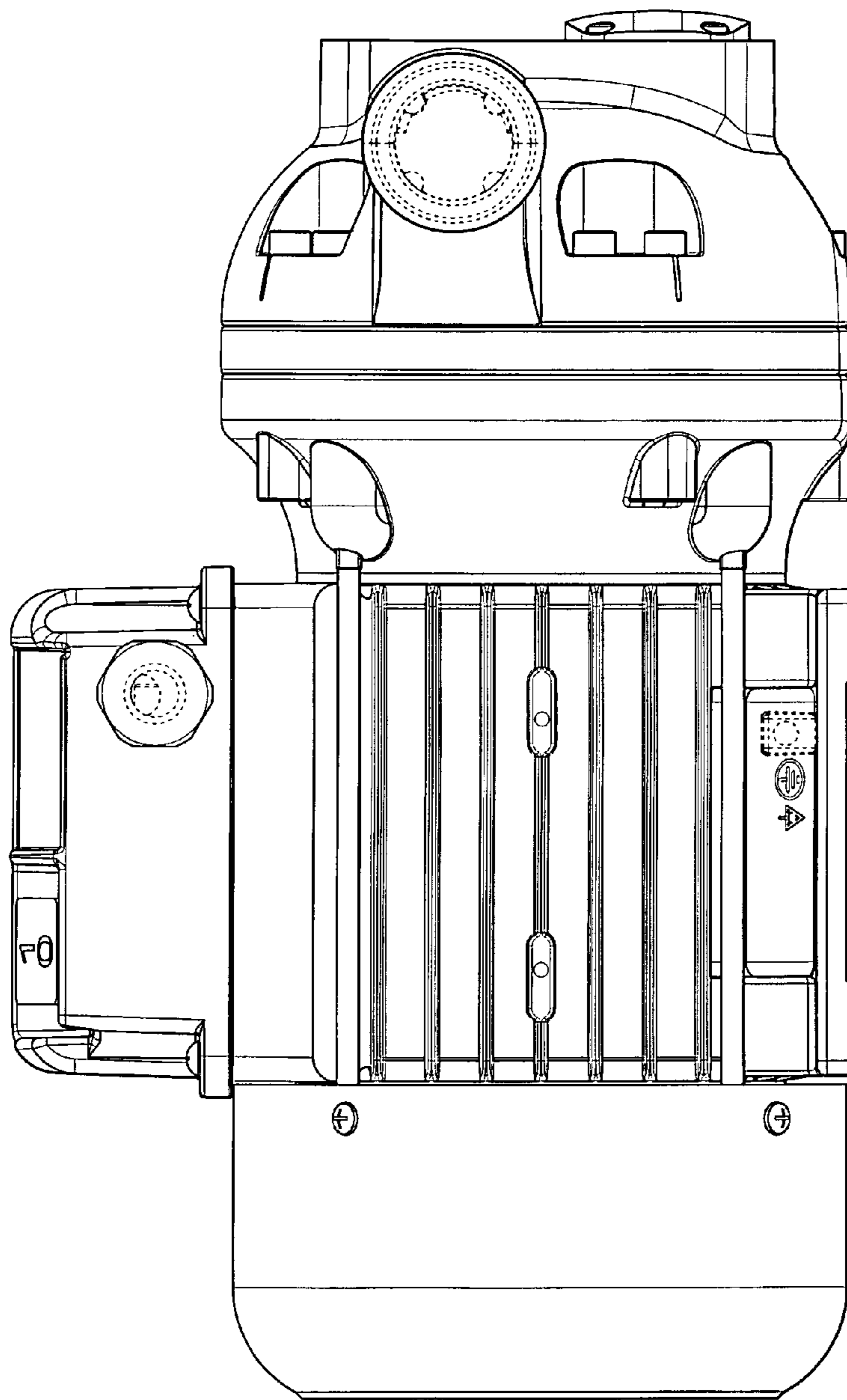


Fig. 4

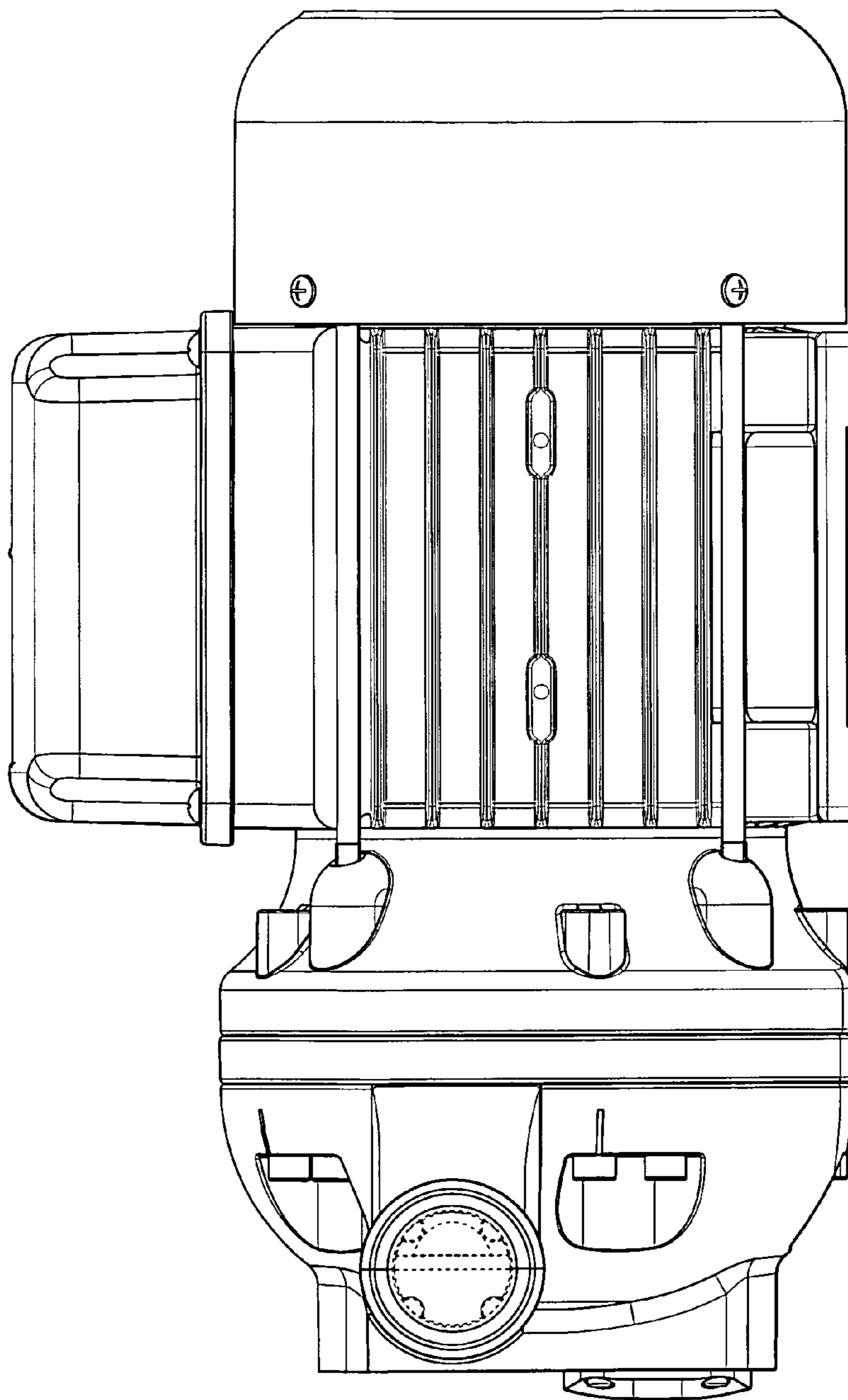


Fig. 5

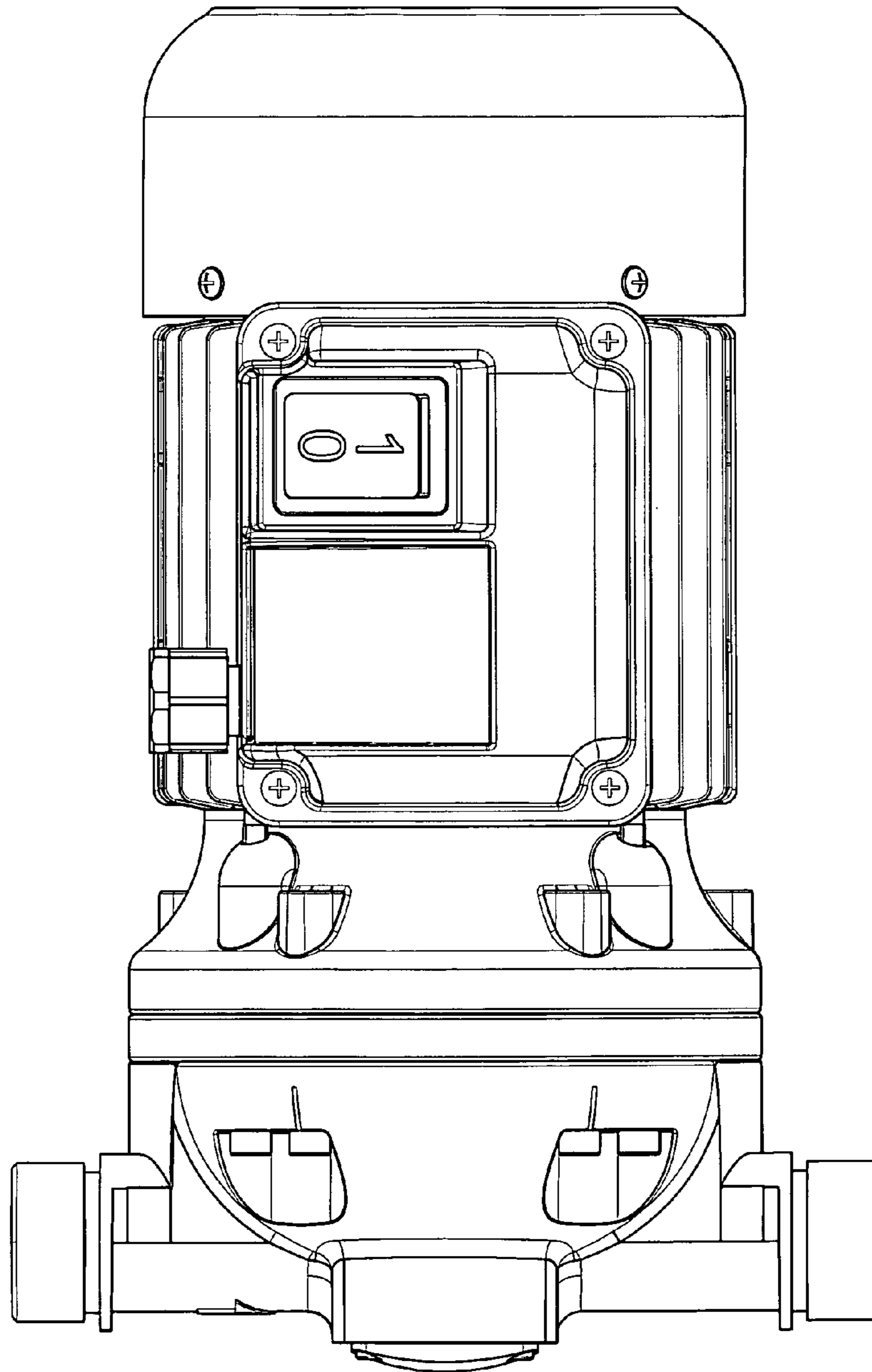


Fig. 6

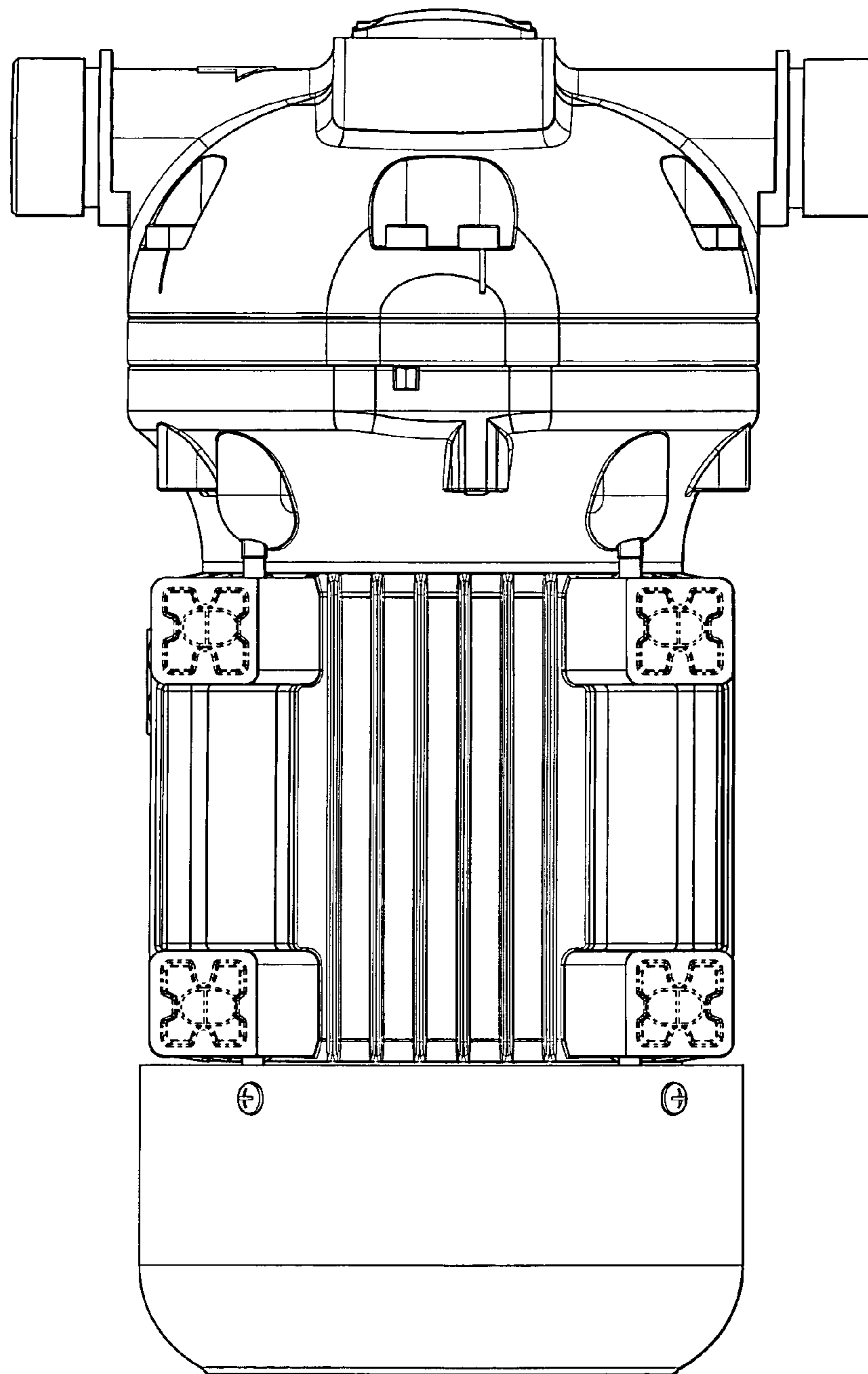


Fig. 7