



US00D656501S

(12) **United States Design Patent**
Andre et al.

(10) **Patent No.:** **US D656,501 S**
(45) **Date of Patent:** **** Mar. 27, 2012**

(54) **COMPUTER**

(75) Inventors: **Bartley K. Andre**, Menlo Park, CA (US); **Daniel J. Coster**, San Francisco, CA (US); **Daniele De Iuliis**, San Francisco, CA (US); **Richard P. Howarth**, San Francisco, CA (US); **Jonathan P. Ive**, San Francisco, CA (US); **Steve Jobs**, Palo Alto, CA (US); **Duncan Robert Kerr**, San Francisco, CA (US); **Shin Nishibori**, Portola Valley, CA (US); **Matthew Dean Rohrbach**, San Francisco, CA (US); **Peter Russell-Clarke**, San Francisco, CA (US); **Douglas B. Satzger**, Menlo Park, CA (US); **Calvin Q. Seid**, Palo Alto, CA (US); **Vincent Keane Seid**, legal representative, Los Gatos, CA (US); **Christopher J. Stringer**, Woodside, CA (US); **Eugene Antony Whang**, San Francisco, CA (US); **Rico Zorkendorfer**, San Francisco, CA (US)

(73) Assignee: **Apple Inc.**, Cupertino, CA (US)

(**) Term: **14 Years**

(21) Appl. No.: **29/391,177**

(22) Filed: **May 4, 2011**

Related U.S. Application Data

(60) Continuation of application No. 29/365,139, filed on Jul. 2, 2010, which is a division of application No. 29/289,876, filed on Aug. 2, 2007, now Pat. No. Des. 621,841.

(51) **LOC (9) Cl.** **14-02**

(52) **U.S. Cl.** **D14/447**

(58) **Field of Classification Search** D14/448, D14/449, 450, 439, 440, 432, 371, 372, 373, D14/374, 375, 376, 377, 378, 379, 380, 381, D14/382, 336, 337, 125, 126, 127, 239; D6/300, D6/308, 310; 345/905; 348/184, 739, 761, 348/766, 789, 790, 794, 825, 836, 840; 349/58; 248/917-924

See application file for complete search history.

(56) **References Cited**

U.S. PATENT DOCUMENTS
D294,262 S 2/1988 Thies et al.
(Continued)

FOREIGN PATENT DOCUMENTS
EM 001208177-0004 * 9/2010

OTHER PUBLICATIONS
Photographs of Dell 1900FP Flat Panel Monitor, released Feb. 26, 2002.

(Continued)

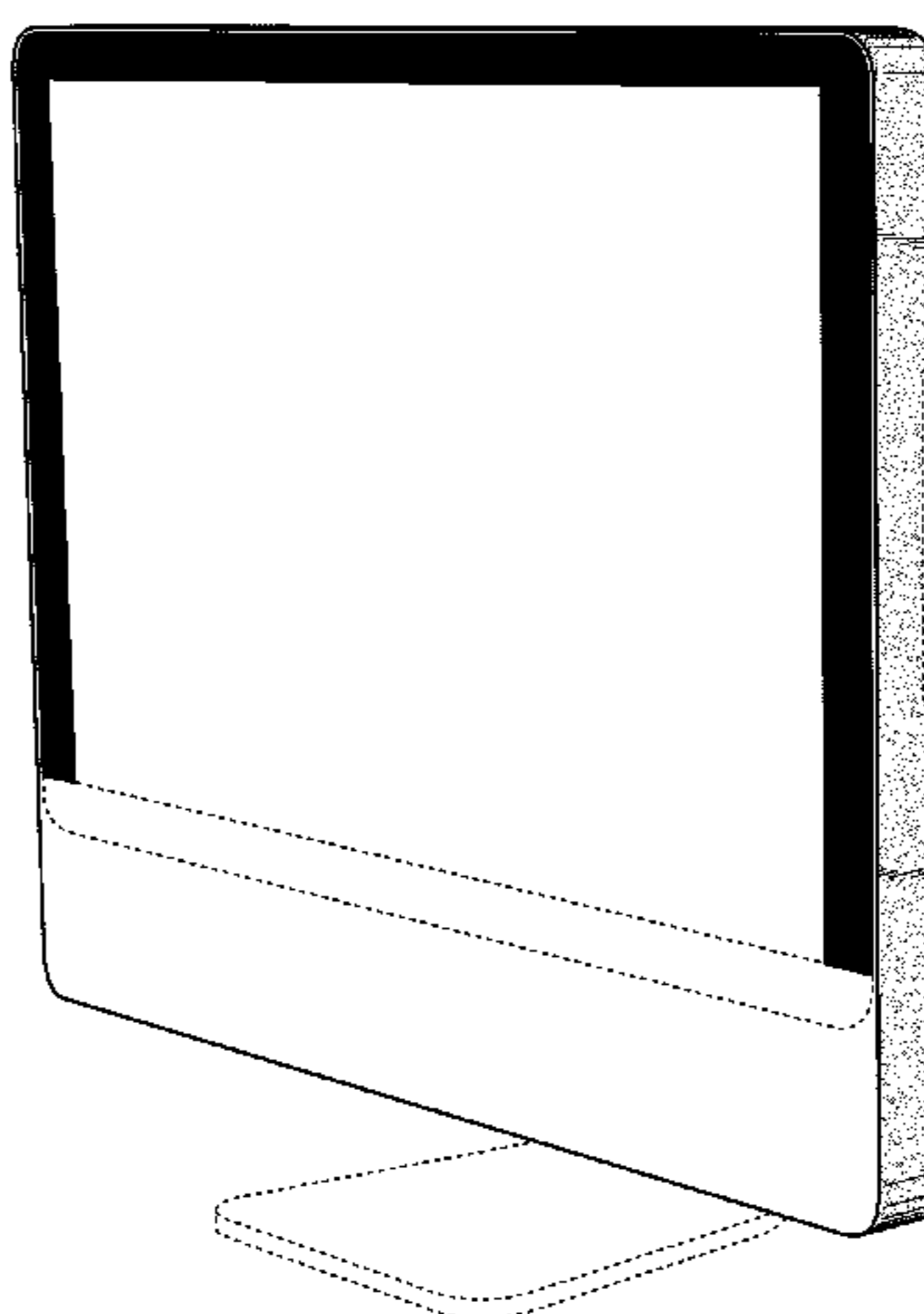
Primary Examiner — Angela J Lee
(74) *Attorney, Agent, or Firm* — SAIDMAN DesignLaw Group

(57) **CLAIM**
The ornamental design for a computer, as shown and described.

DESCRIPTION

FIG. 1 is a front perspective view of a first embodiment of a computer showing our new design; FIG. 2 is a left side view thereof; FIG. 3 is a right side view thereof; FIG. 4 is a top view thereof; FIG. 5 is a bottom view thereof; FIG. 6 is a rear perspective view thereof; FIG. 7 is a front perspective view of a second embodiment thereof; FIG. 8 is a left side view thereof; FIG. 9 is a right side view thereof; FIG. 10 is a top view thereof; FIG. 11 is a bottom view thereof; and, FIG. 12 is a rear perspective view thereof. The broken lines are for the purpose of illustrating portions of the computer and form no part of the claimed design. The black shading on the front of the monitor represents the color black and the dark gray shading on the front of the monitor represents the color gray. The light gray shading on the sides of the monitor represents a metallic-looking surface.

1 Claim, 8 Drawing Sheets



US D656,501 S

Page 2

U.S. PATENT DOCUMENTS

D308,373 S 6/1990 Shimizu
D364,840 S 12/1995 Oshizawa et al.
D366,473 S 1/1996 Behar
D412,892 S 8/1999 Lee
D413,320 S 8/1999 Kelley et al.
D428,415 S 7/2000 Shibata
D432,101 S 10/2000 Oba
D434,763 S 12/2000 Jobs et al.
D446,516 S 8/2001 Tadayon et al.
D446,519 S 8/2001 Wu
D451,096 S 11/2001 Redmond
D453,022 S 1/2002 Oba
D456,023 S 4/2002 Andre et al.
D457,864 S 5/2002 Bong et al.
D461,818 S 8/2002 Goto
D464,049 S 10/2002 Goto
D476,335 S 6/2003 Miao et al.
D482,338 S 11/2003 Kabasawa et al.
D483,020 S 12/2003 Nagao et al.
D486,486 S 2/2004 Jobs et al.
D488,139 S 4/2004 Takami et al.
D489,042 S 4/2004 Joe et al.
D491,901 S 6/2004 Chin et al.
D492,291 S 6/2004 Takahashi et al.
D494,971 S 8/2004 Jobs et al.
D495,332 S 8/2004 Jobs et al.
D496,009 S 9/2004 Takahashi et al.
D496,040 S 9/2004 Jobs et al.
D499,097 S 11/2004 Tsuji et al.
D504,876 S 5/2005 Zheng
D510,730 S 10/2005 Asanuma et al.
D516,557 S 3/2006 Noda et al.
D528,116 S * 9/2006 Won et al. D14/375
D529,913 S 10/2006 Chen et al.
D531,631 S 11/2006 Andre et al.
D532,011 S 11/2006 Andre et al.
D541,234 S 4/2007 Iijima et al.
D541,770 S 5/2007 Lee
D541,799 S 5/2007 Andre et al.
D543,517 S 5/2007 Chikuma et al.
D545,820 S 7/2007 Won et al.

D549,676 S 8/2007 Pelletier
D555,120 S 11/2007 Shih et al.
D555,666 S 11/2007 Hussaini et al.
D558,698 S 1/2008 Chu
D562,274 S 2/2008 Wang
D565,518 S 4/2008 Tu
D565,527 S 4/2008 Riggs
D566,066 S 4/2008 Wang
D567,196 S 4/2008 Shih
D569,864 S 5/2008 Chen
D576,580 S 9/2008 Olivet
D576,972 S 9/2008 Niitsu
D582,917 S 12/2008 Wada
D597,979 S * 8/2009 Trang et al. D14/126
D604,291 S * 11/2009 Andre et al. D14/315
D610,138 S * 2/2010 Andre et al. D14/336
D610,584 S * 2/2010 Zhu D14/374
D618,242 S * 6/2010 Akana et al. D14/374
D620,932 S * 8/2010 Andre et al. D14/336
D621,830 S * 8/2010 Andre et al. D14/336
D621,841 S * 8/2010 Andre et al. D14/448
D638,013 S * 5/2011 Andre et al. D14/374
2003/0128503 A1 7/2003 Takahashi

OTHER PUBLICATIONS

Photographs of Mac Mini desktop computer, released Jan. 2005.
Photographs of Apple TV streaming media player, released Mar. 2007.
Dell, Dell Introduces 19-Inch Flat Panel Monitor, www.dell.com, Feb. 26, 2002.
Dell, Front View: Dell 1900FP Flat Panel Color Monitor User's Guide, <http://support.dell.com>, available at least as early as Feb. 26, 2002.
Appendix in U.S. Appl. No. 29/201,636 entitled "Electronic Device" filed Mar. 17, 2004, now USPN D504,889.
Macworld, Apr. 2006, cover, pp. 51 and 64-70.
Macworld, Jun. 2007, cover.
U.S. Appl. No. 29/390,419 entitled "Monitor", filed Apr. 24, 2011.
U.S. Appl. No. 29/390,850 entitled "Electronic Device", filed Apr. 29, 2011.

* cited by examiner

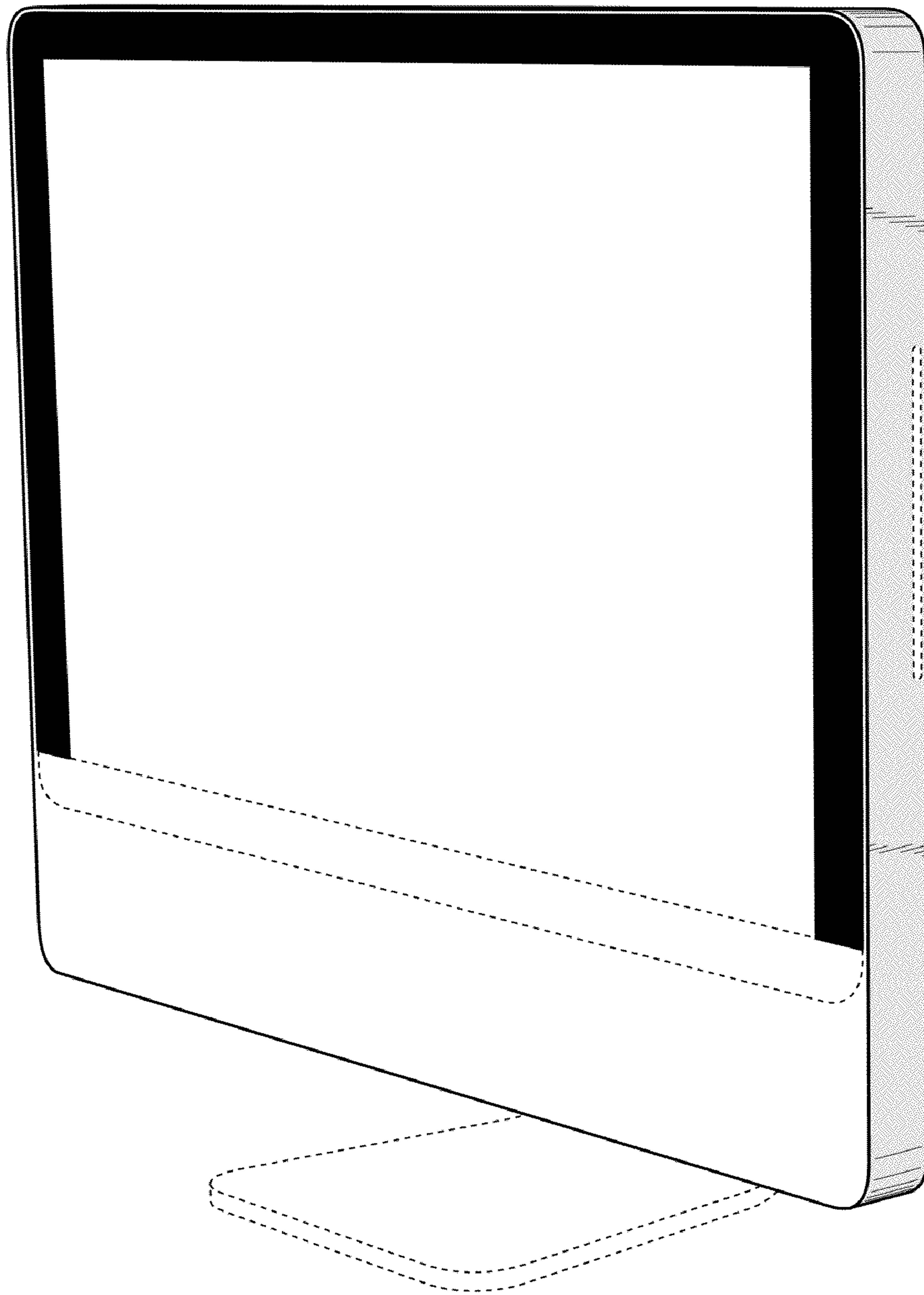


Fig. 1

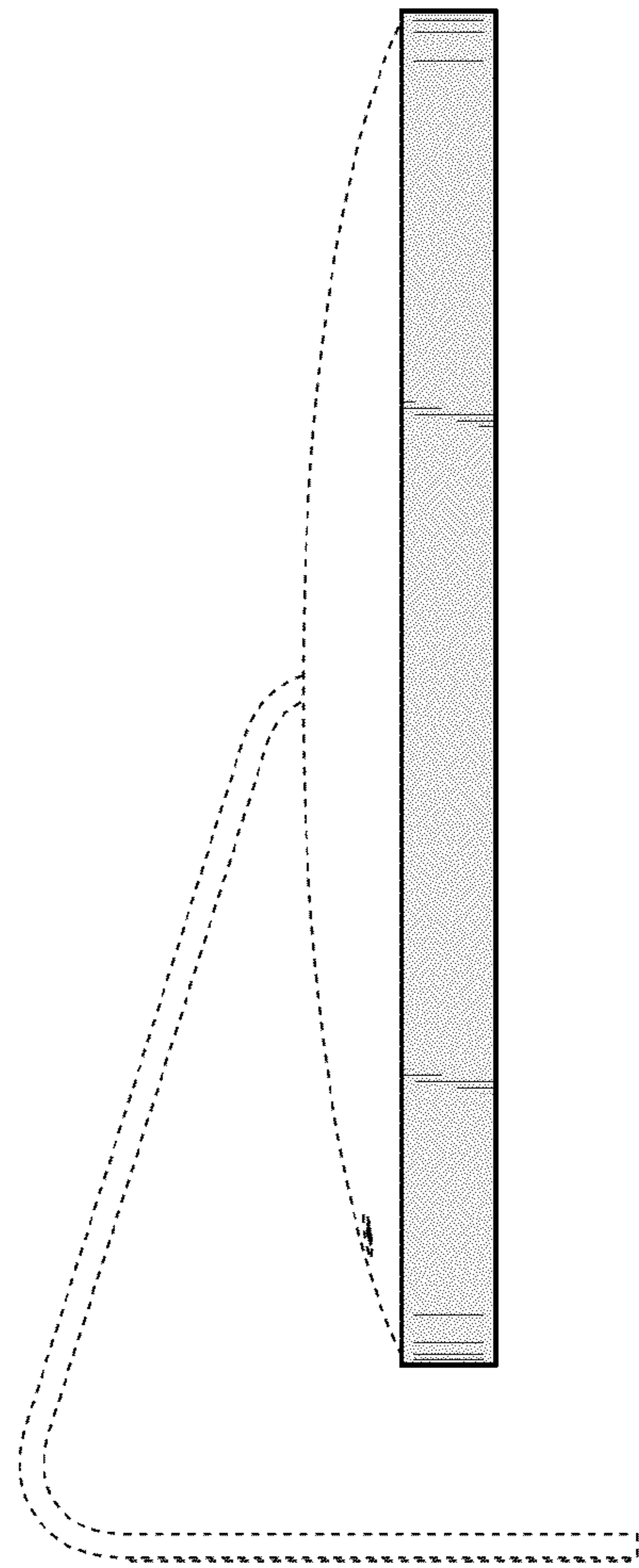


Fig. 2

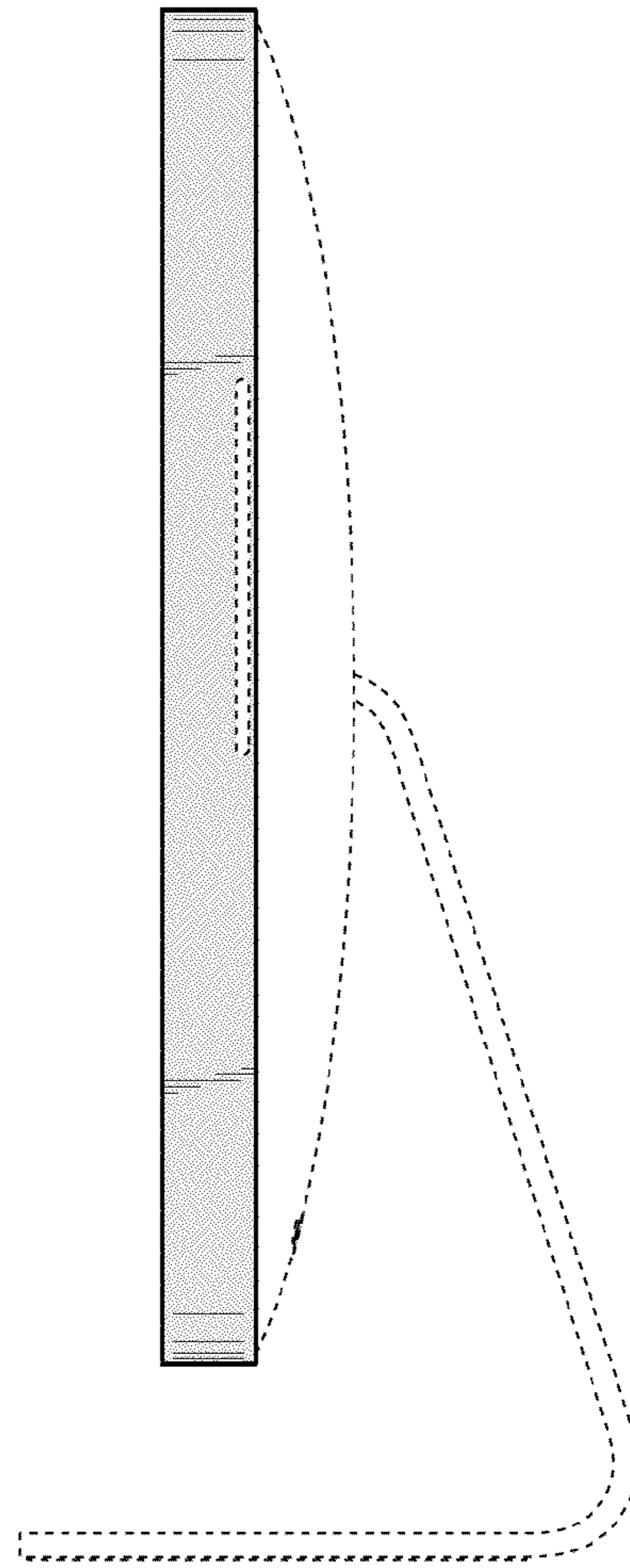


Fig. 3

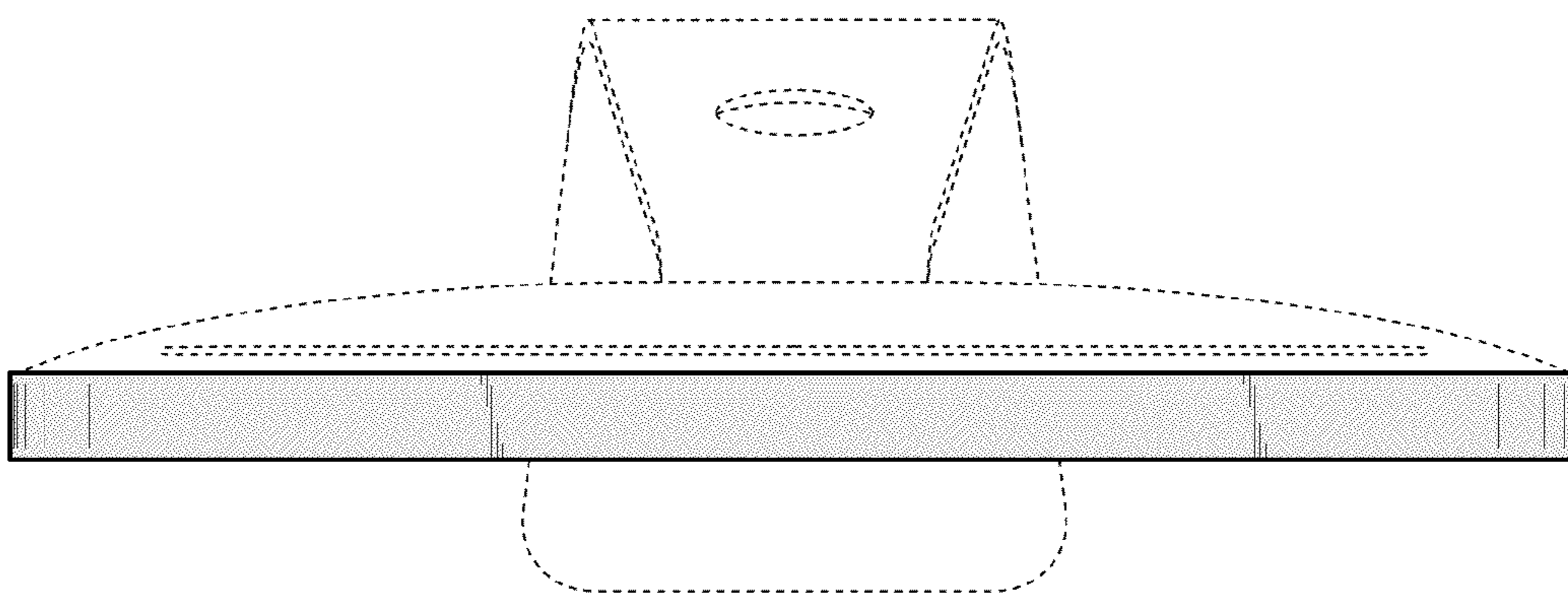


Fig. 4

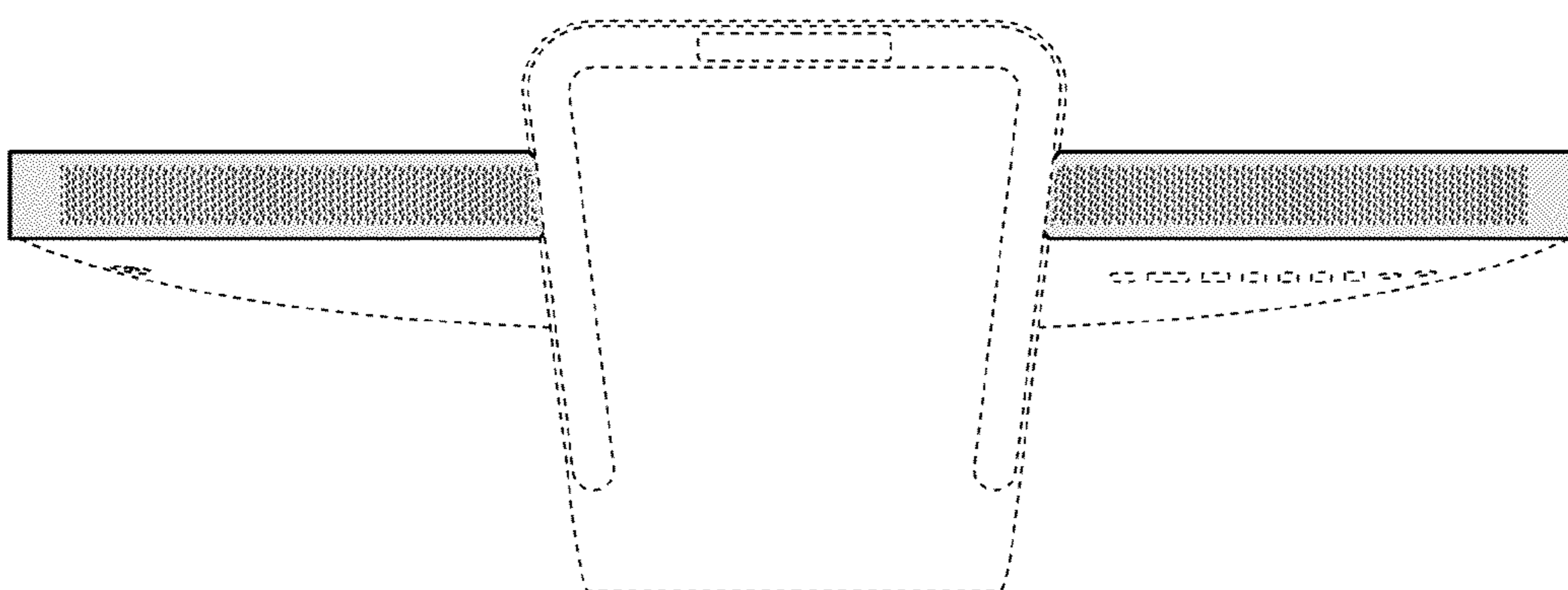


Fig. 5

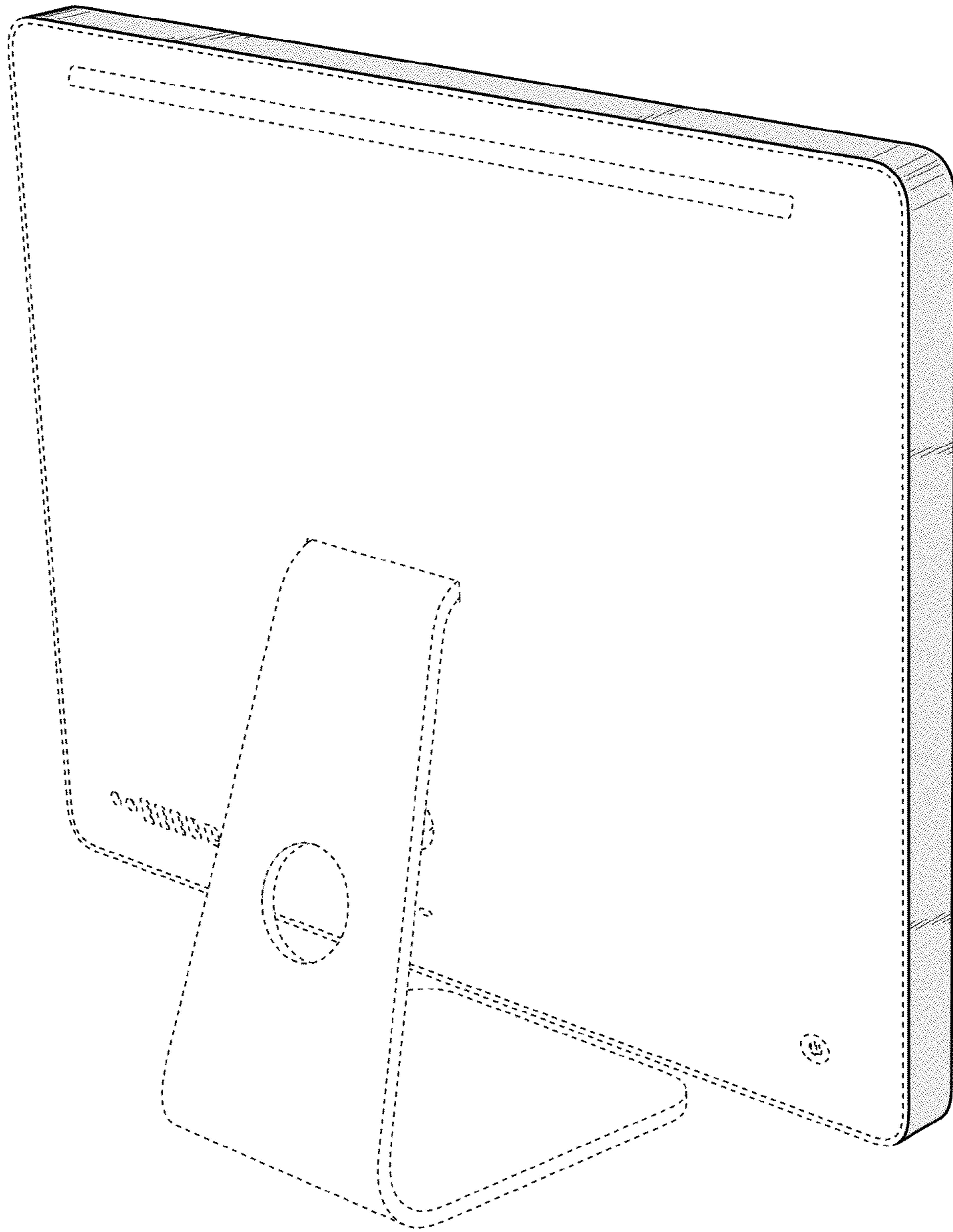


Fig. 6

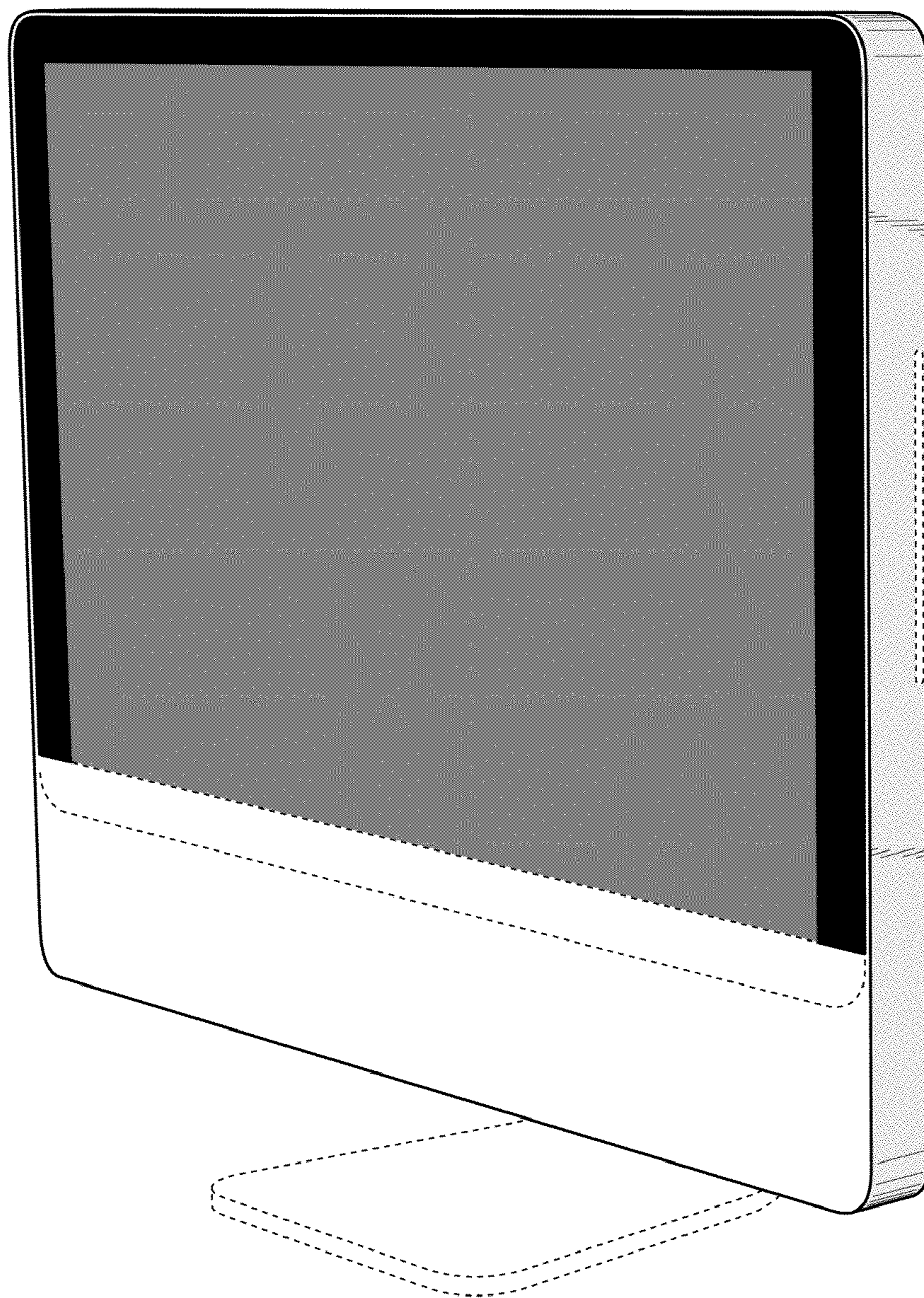


Fig. 7

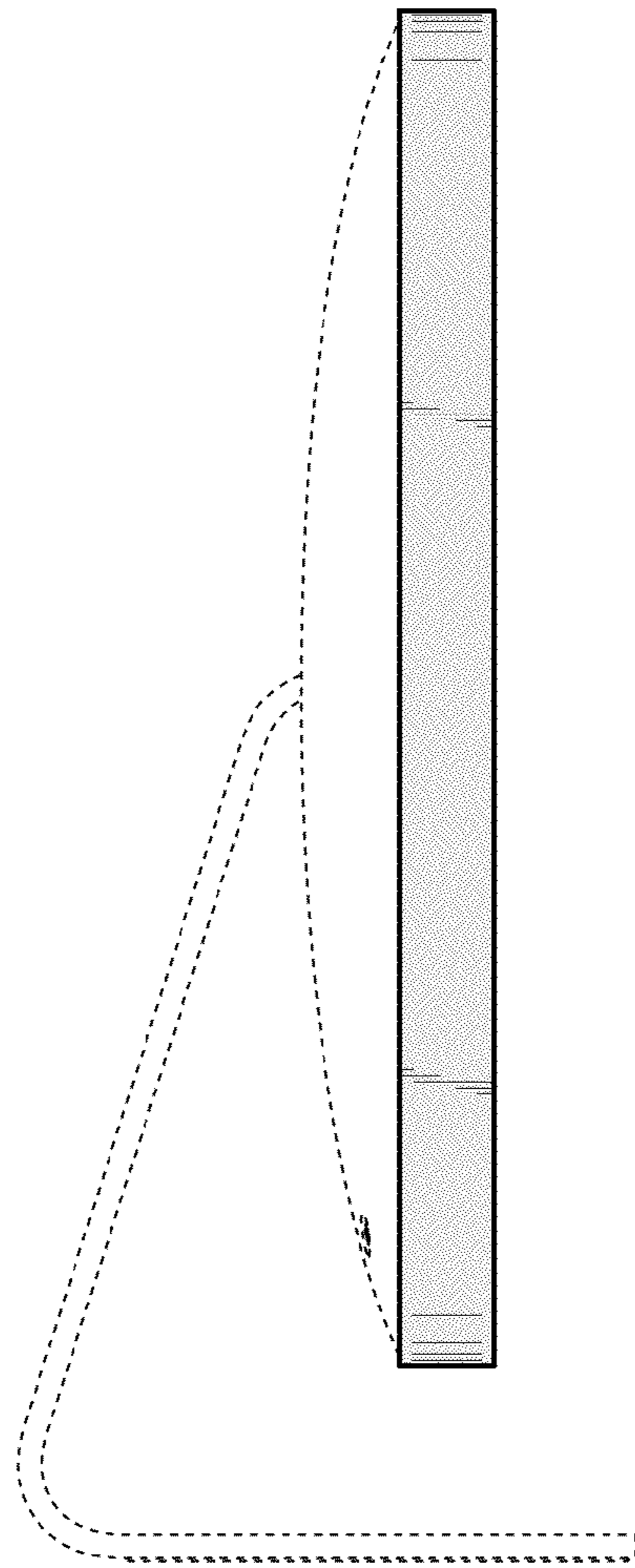


Fig. 8

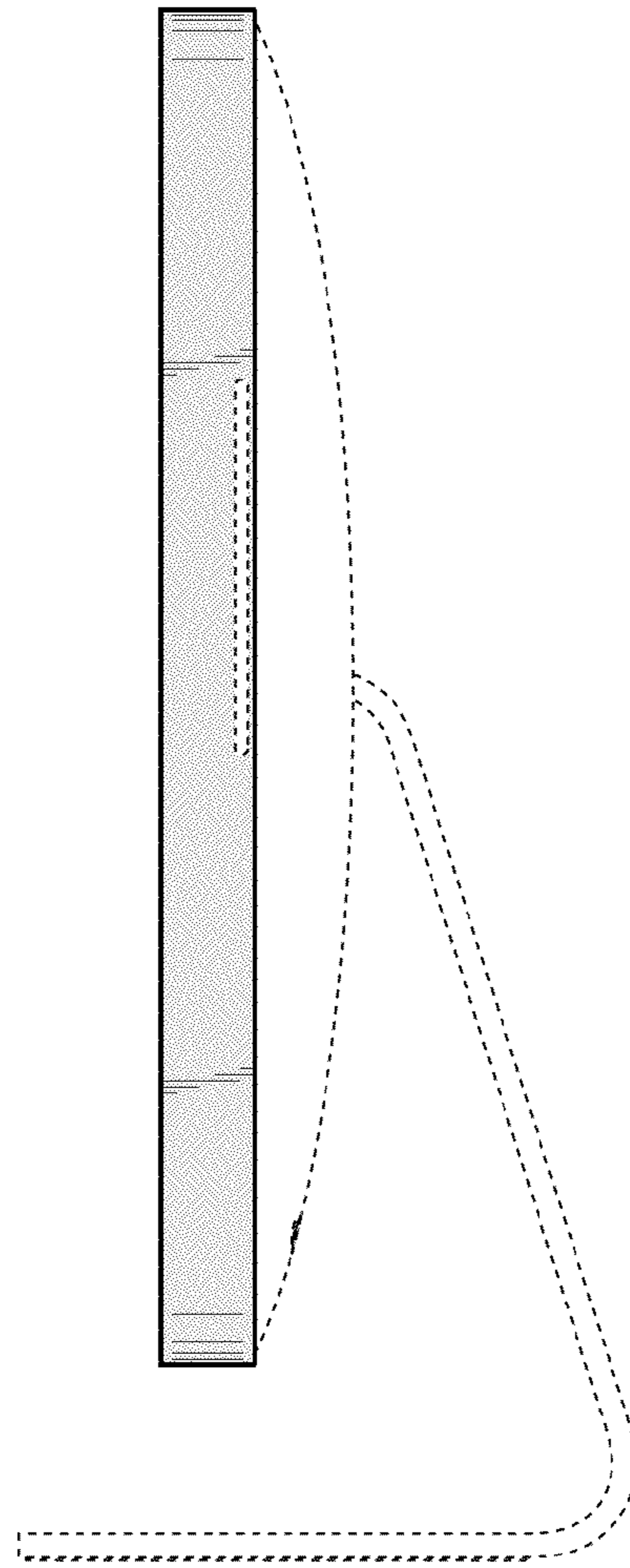


Fig. 9

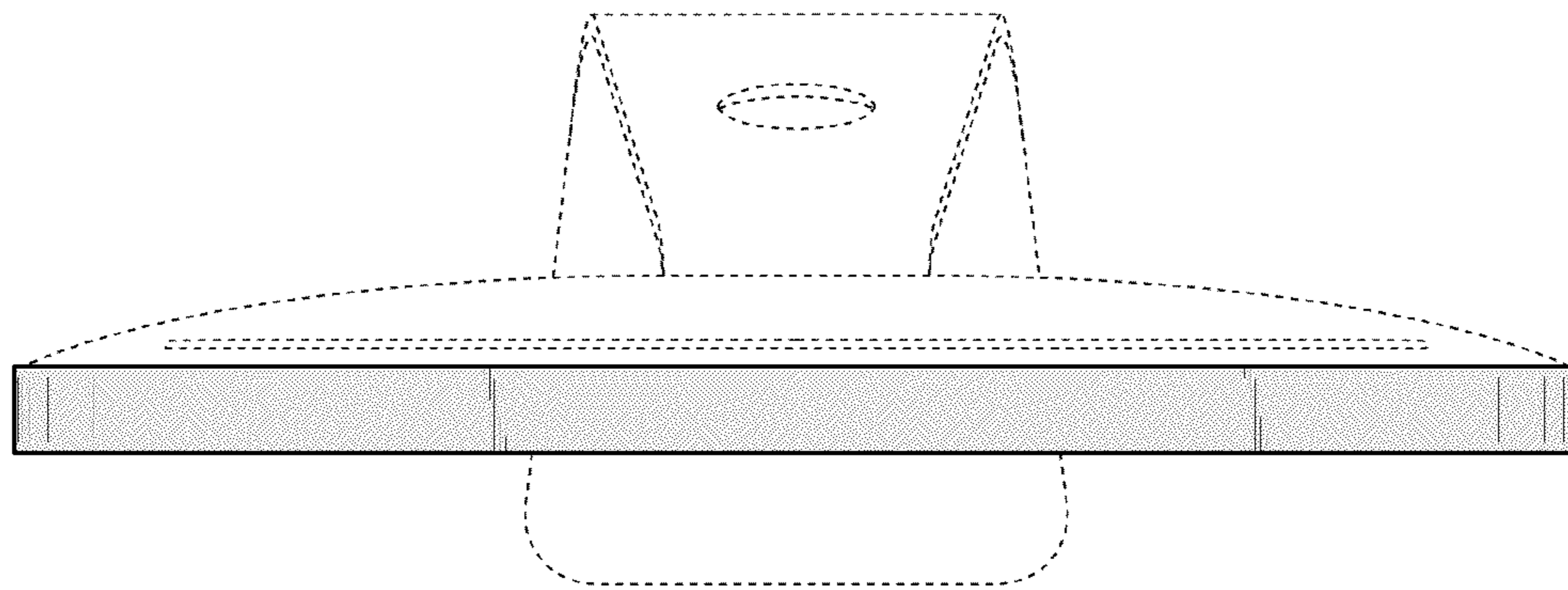


Fig. 10

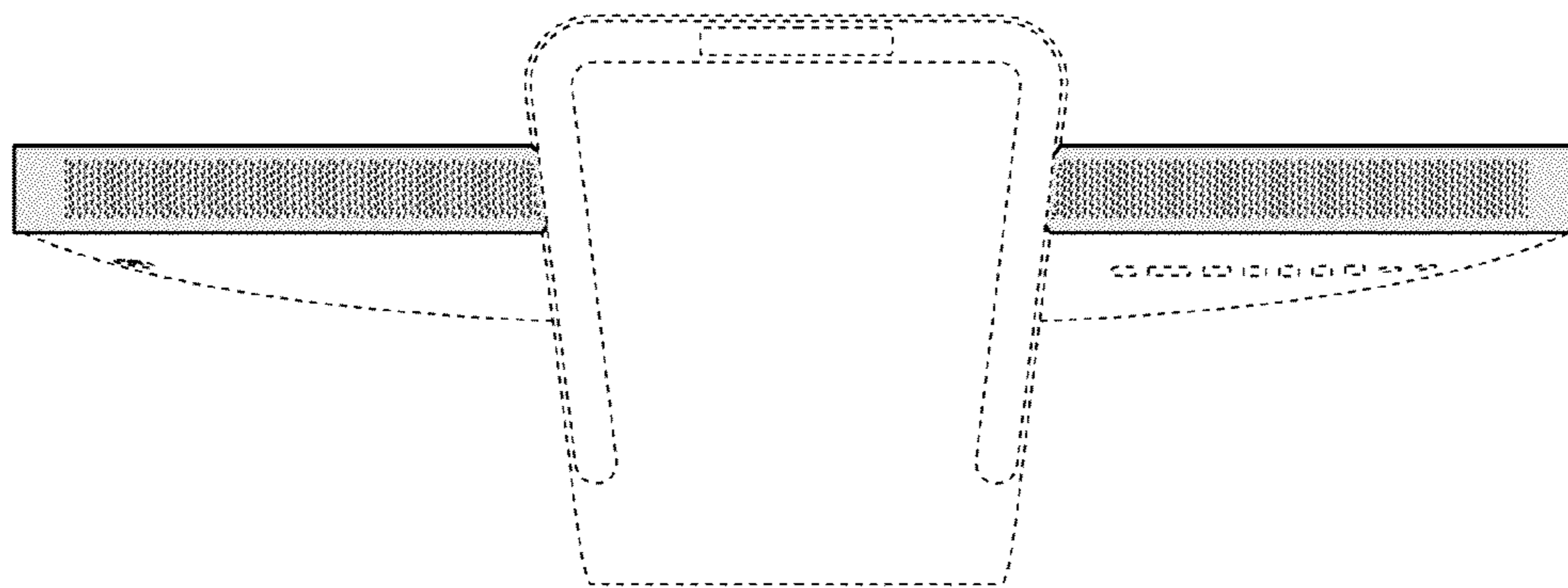


Fig. 11

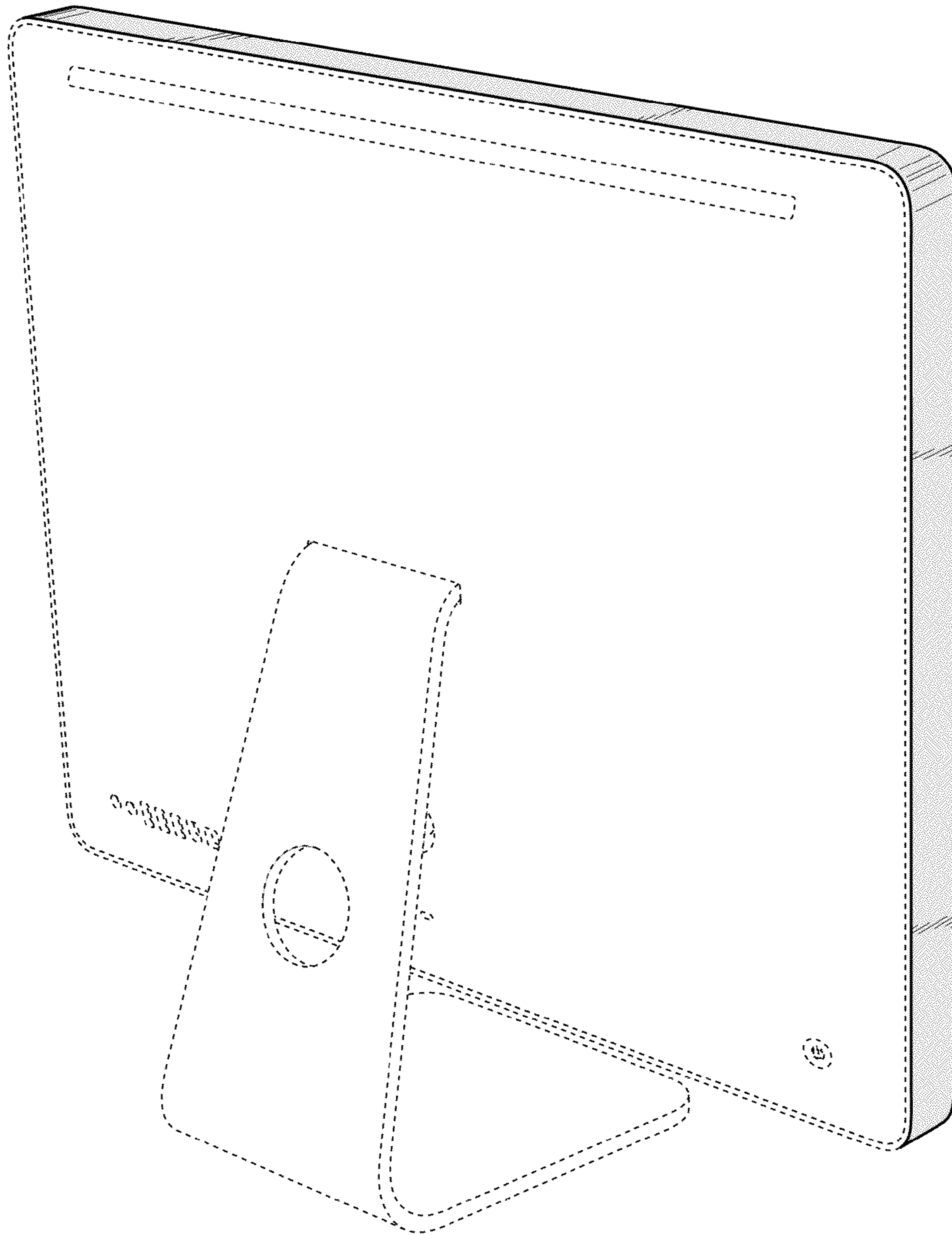


Fig. 12