



US00D656500S

(12) **United States Design Patent**  
**Maruyama et al.**

(10) **Patent No.:** **US D656,500 S**  
(45) **Date of Patent:** **\*\* Mar. 27, 2012**

(54) **STAND FOR PORTABLE ELECTRONIC COMPUTER**

D588,139 S 3/2009 Fujino et al.  
D589,962 S 4/2009 Maruyama et al.

(Continued)

(75) Inventors: **Kazuhiro Maruyama**, Kyoto (JP);  
**Masahiko Oota**, Kyoto (JP)

*Primary Examiner* — Angela J Lee

(73) Assignee: **Nintendo Co., Ltd.**, Kyoto (JP)

(74) *Attorney, Agent, or Firm* — Nixon & Vanderhye, P.C.

(\*\*) Term: **14 Years**

(57) **CLAIM**

The ornamental designs for a stand for portable electronic computer, as shown and described.

(21) Appl. No.: **29/388,028**

(22) Filed: **Mar. 23, 2011**

**DESCRIPTION**

(30) **Foreign Application Priority Data**

Sep. 24, 2010 (JP) ..... 2010-022891

(51) **LOC (9) Cl.** ..... **14-02**

(52) **U.S. Cl.** ..... **D14/447**

(58) **Field of Classification Search** ..... D14/447,  
D14/448, 451, 452, 432, 434, 439, 440, 457,  
D14/460, 461, 239, 250, 251, 253, 217, 238.1;  
D3/218; D6/310, 312, 311, 406.3, 406.4,  
D6/406.5, 406.6, 419; 248/917-924, 688,  
248/441.1, 451, 454, 460, 463, 136, 149,  
248/150, 164, 166, 176.2, 176.3, 176.1, 346.03,  
248/346.3; 361/679.02, 679.09, 679.21,  
361/679.22, 379.26, 679.27, 679.28, 679.29,  
361/679.3, 679.46, 679.47, 679.48, 679.55,  
361/679.56, 679.57, 679.58, 679.59, 679.6;  
150/165; 224/929, 930; D21/333

See application file for complete search history.

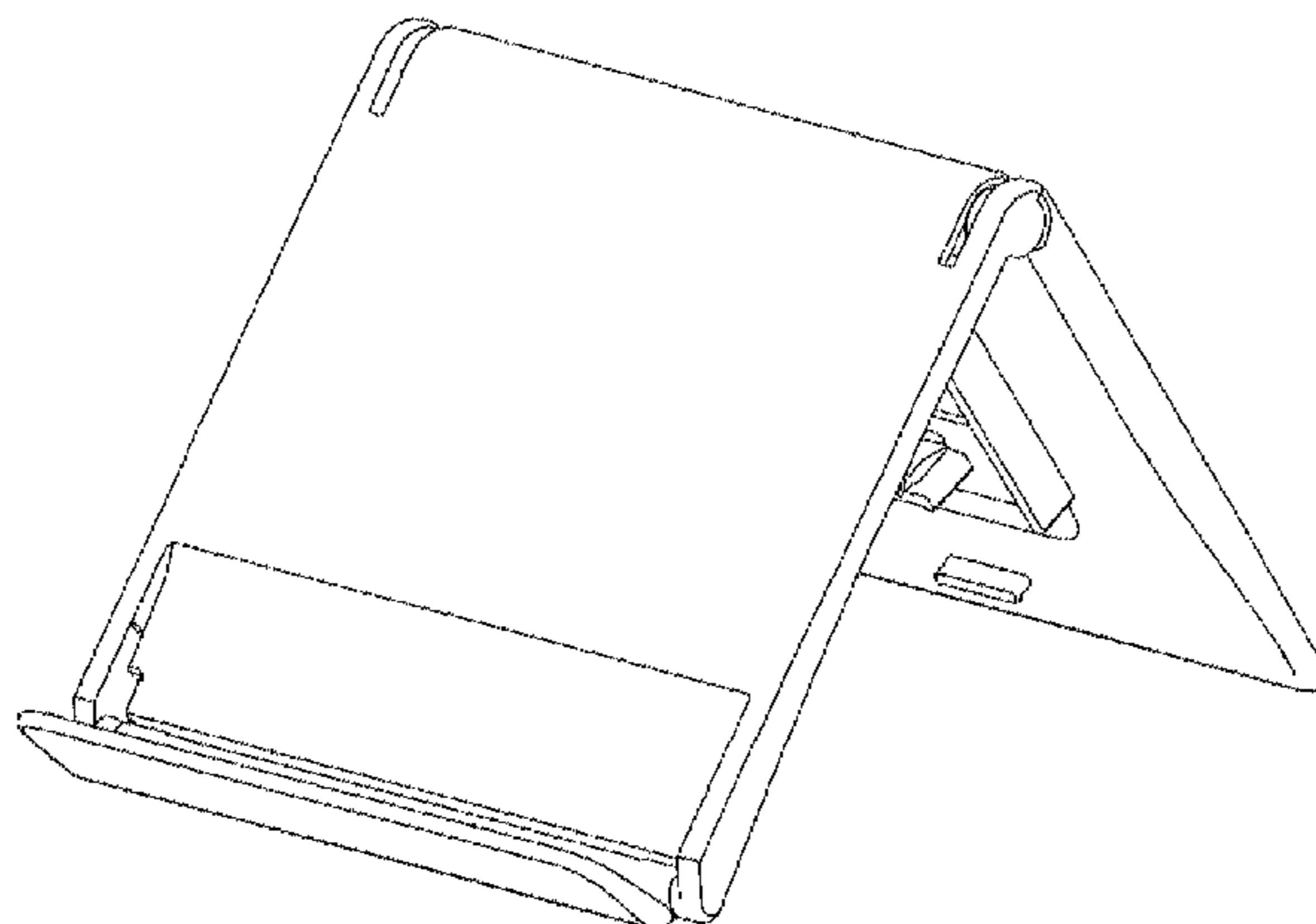
(56) **References Cited**

**U.S. PATENT DOCUMENTS**

D279,185 S \* 6/1985 Felix et al. .... D14/251  
D344,197 S \* 2/1994 Numbers ..... D6/419  
D358,144 S \* 5/1995 Masaaki ..... D14/447  
D480,088 S \* 9/2003 Bakker et al. .... D14/447  
D517,328 S \* 3/2006 Thrall ..... D6/300  
7,035,100 B2 \* 4/2006 Lord ..... 361/679.41  
D533,558 S \* 12/2006 Elkhuizen et al. .... D14/447  
D557,698 S \* 12/2007 Lye ..... D14/447  
D574,383 S 8/2008 Maruyama et al.  
D582,486 S 12/2008 Ashida et al.

FIG. 1 is a front, right and bottom perspective view of a stand for portable electronic computer of our new design;  
FIG. 2 is a rear, left and top perspective view thereof;  
FIG. 3 is a front view thereof;  
FIG. 4 is a rear view thereof;  
FIG. 5 is a top plan view thereof;  
FIG. 6 is a bottom plan thereof;  
FIG. 7 is a right side view thereof, a left side view being a mirror image thereof;  
FIG. 8 is a front, right and top perspective view of the stand for portable electronic computer in a opened state;  
FIG. 9 is a rear, left and bottom perspective view thereof;  
FIG. 10 is a front view thereof;  
FIG. 11 is a rear view thereof;  
FIG. 12 is a top plan view thereof;  
FIG. 13 is a bottom plan thereof;  
FIG. 14 is a right side view thereof, a left side view being a mirror image thereof;  
FIG. 15 is a front, right and top perspective view of the stand for portable electronic computer in an opened state and shown in use with a portable electronic computer shown in broken lines; and,  
FIG. 16 is rear, left and bottom perspective view of the stand for portable electronic computer in an opened state and shown in use with a portable electronic computer shown in broken lines.  
The broken line showing of a portable electronic computer in FIGS. 15-16 is included for the purpose of illustrating environment and forms no part of the claimed design.

**1 Claim, 7 Drawing Sheets**



# US D656,500 S

Page 2

---

U.S. PATENT DOCUMENTS							
D589,965	S	4/2009	Ashida et al.	D639,286	S *	6/2011	Mohoney ..... D14/250
D598,920	S	8/2009	Fujino et al.	D639,810	S *	6/2011	Hwang et al. .... D14/434
D605,233	S	12/2009	Ashida et al.	D641,024	S	7/2011	Zenri et al.
7,828,260	B2 *	11/2010	Hauser et al. .... 248/456	D641,177	S *	7/2011	Chamberlain ..... D6/310
							* cited by examiner

FIG. 1

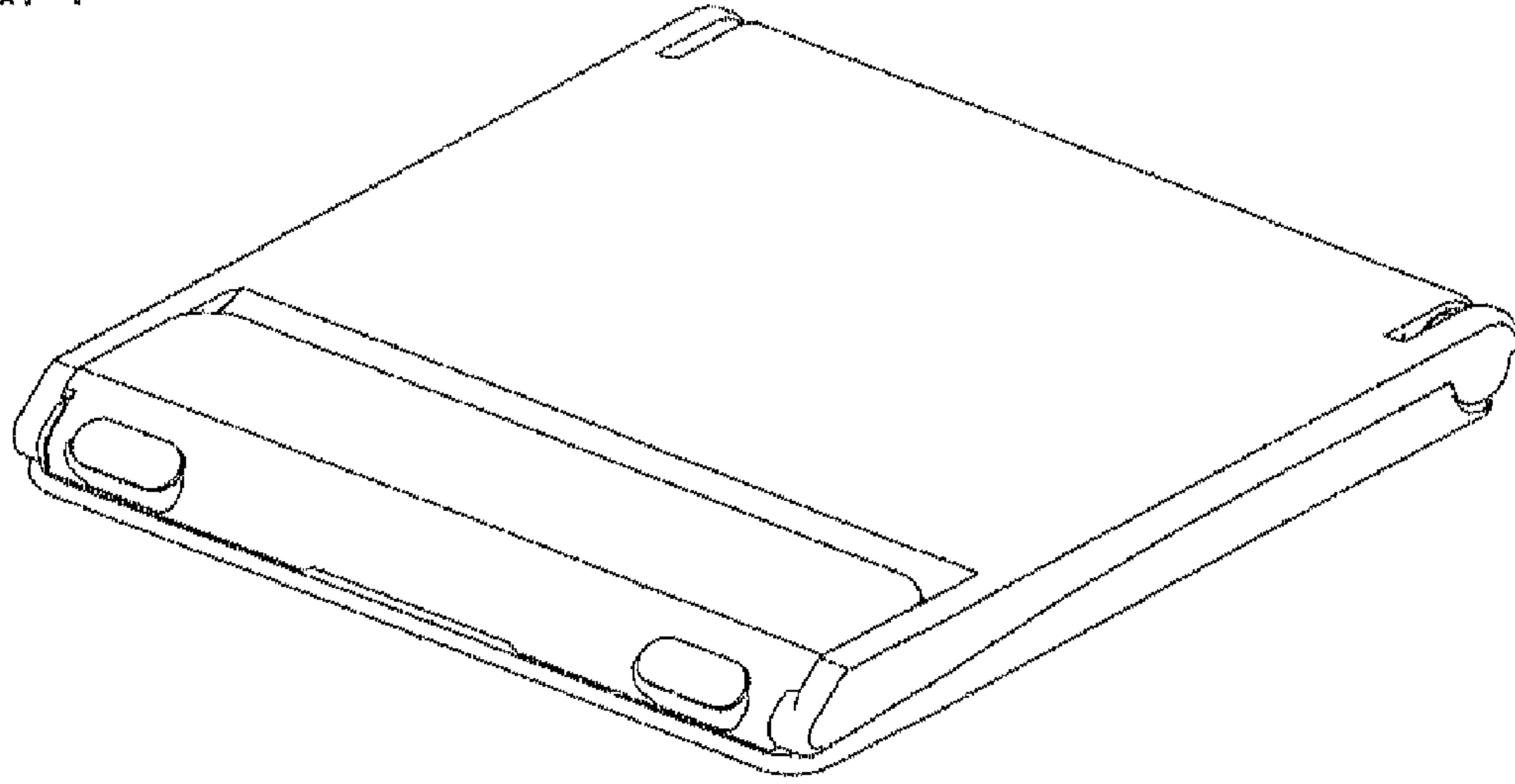


FIG. 2

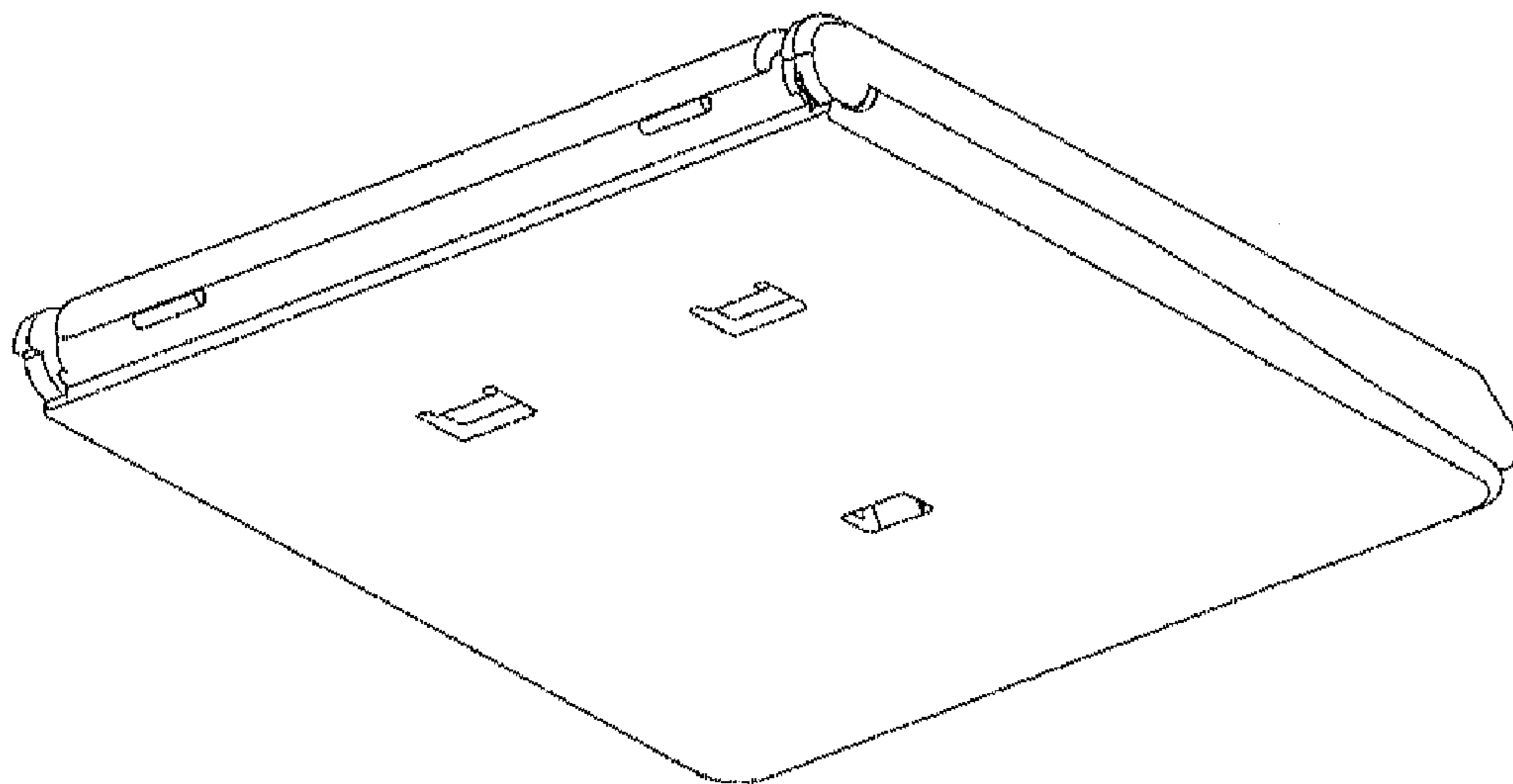


FIG. 3

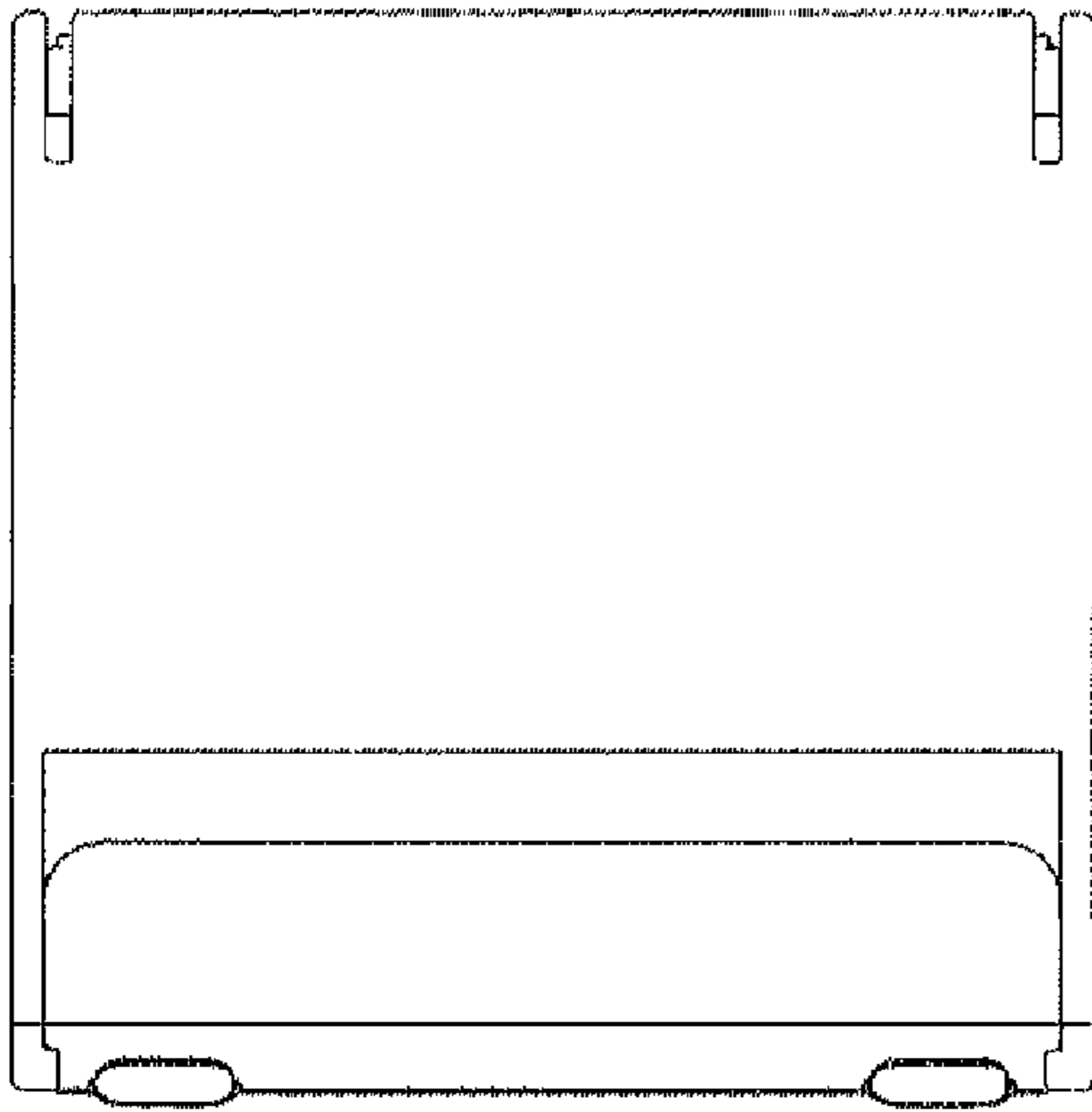


FIG. 4

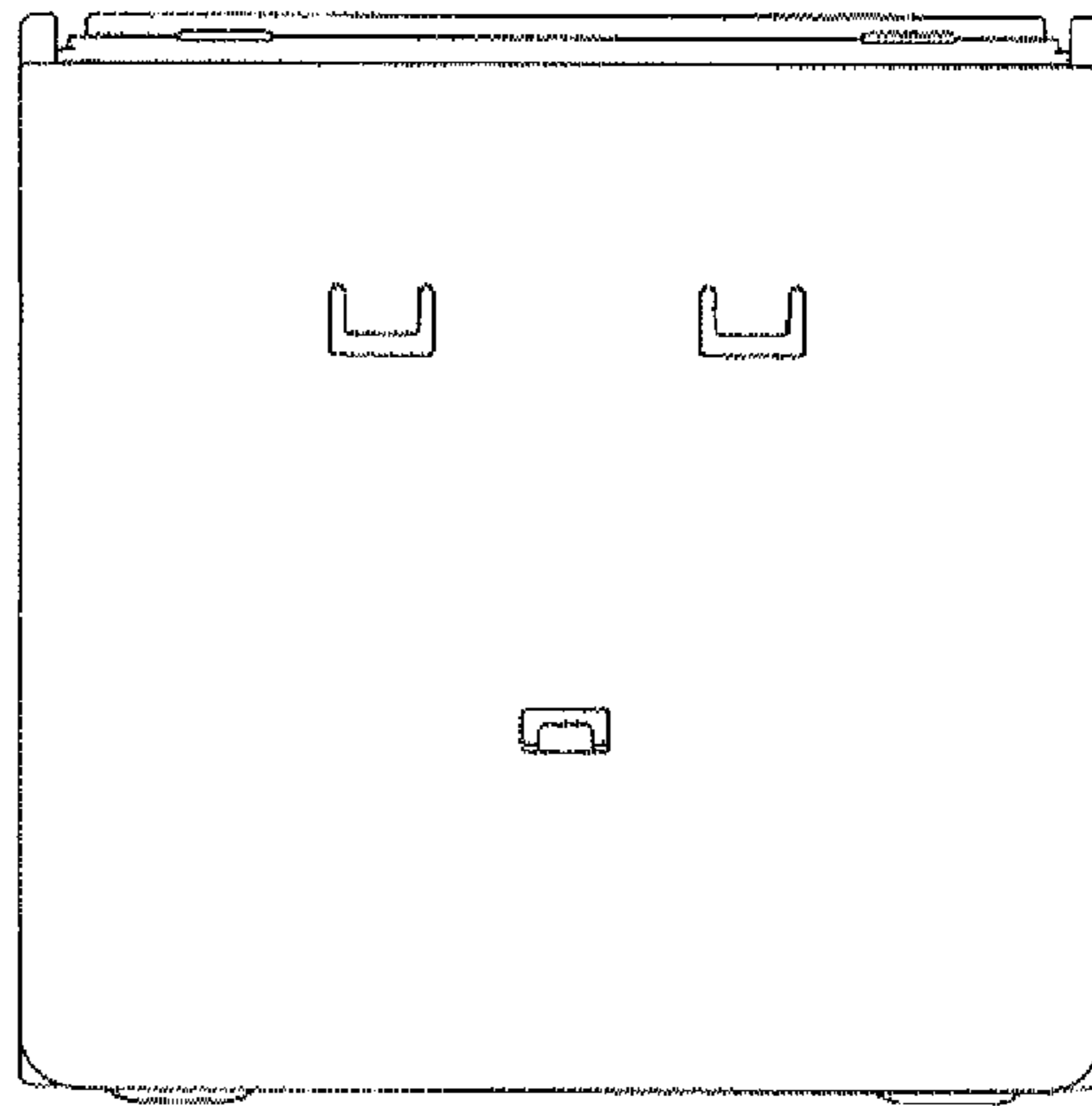


FIG. 5

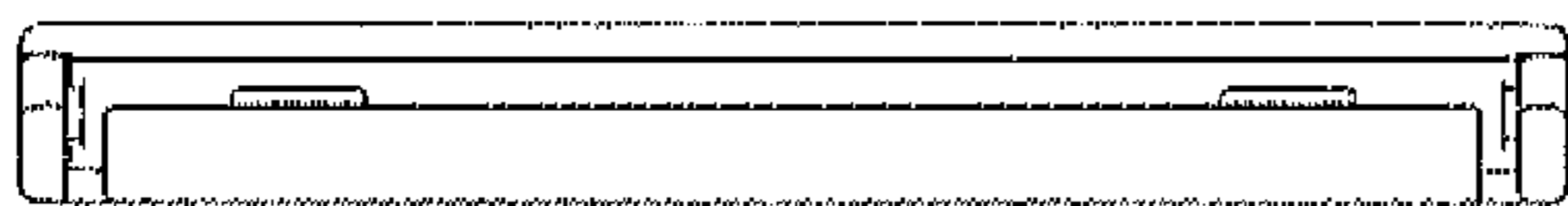


FIG. 6

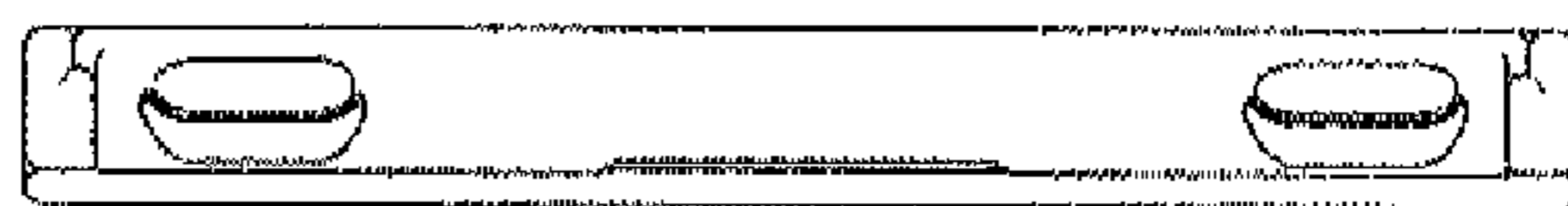


FIG. 7



FIG. 8

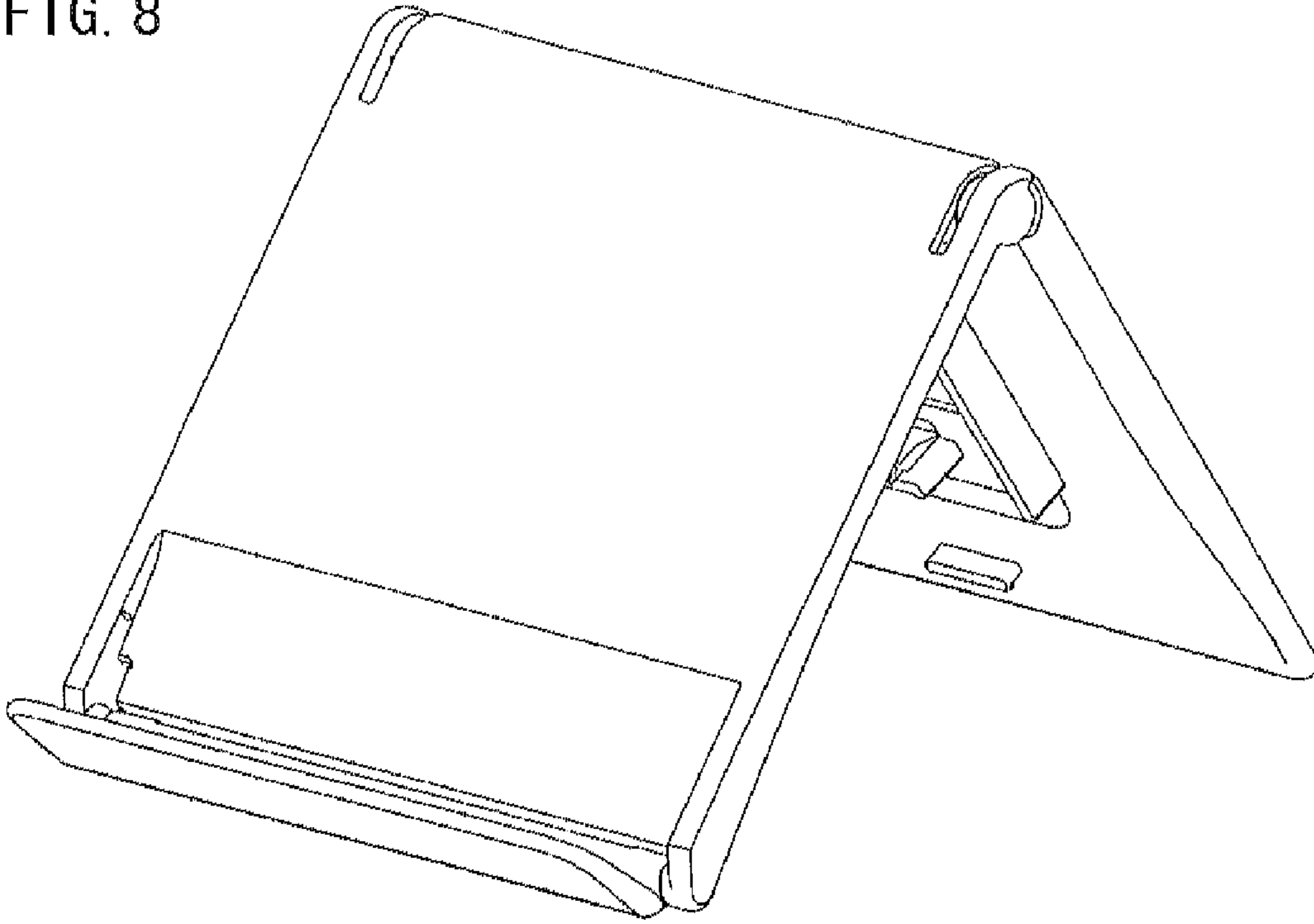


FIG. 9

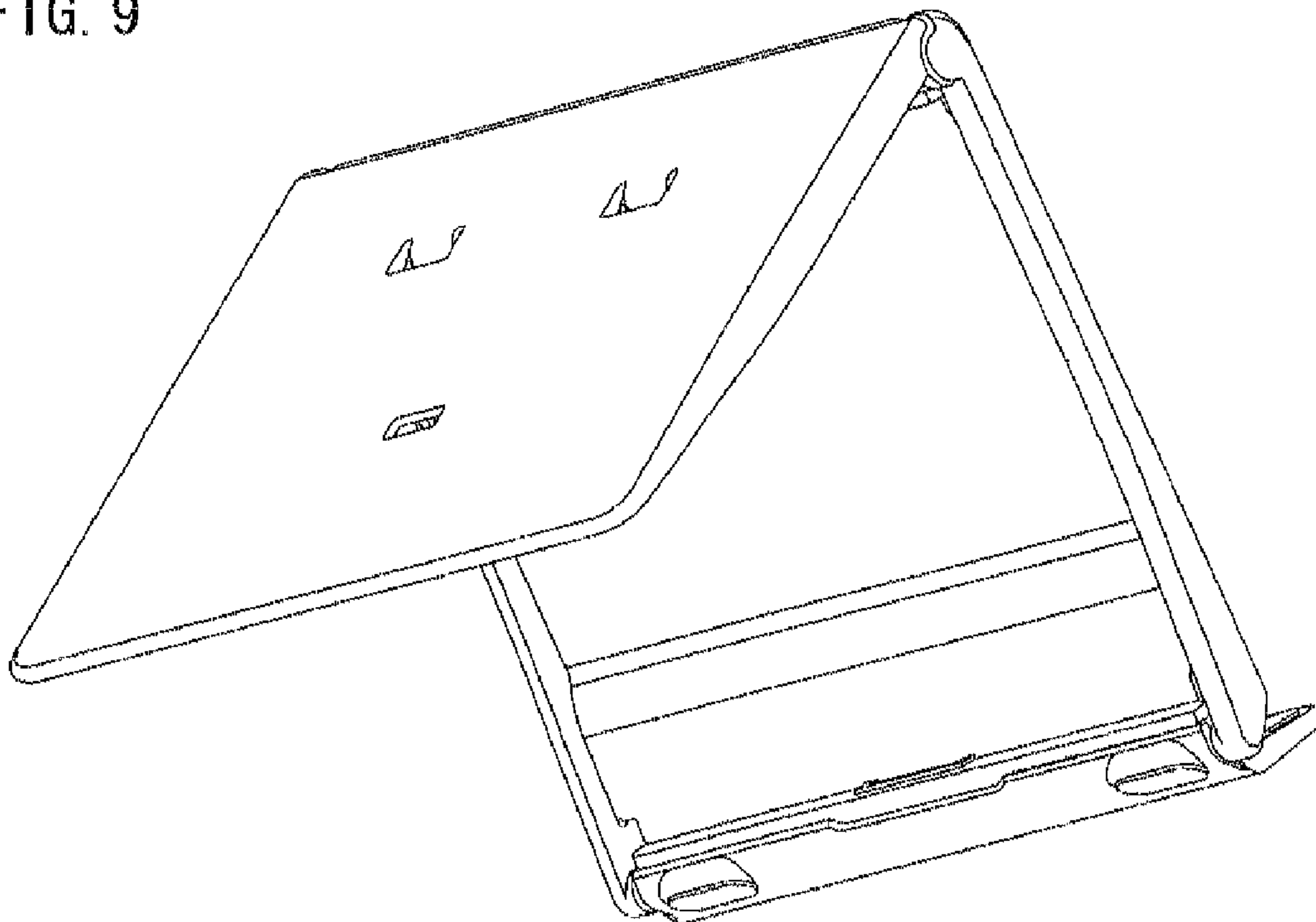


FIG. 10

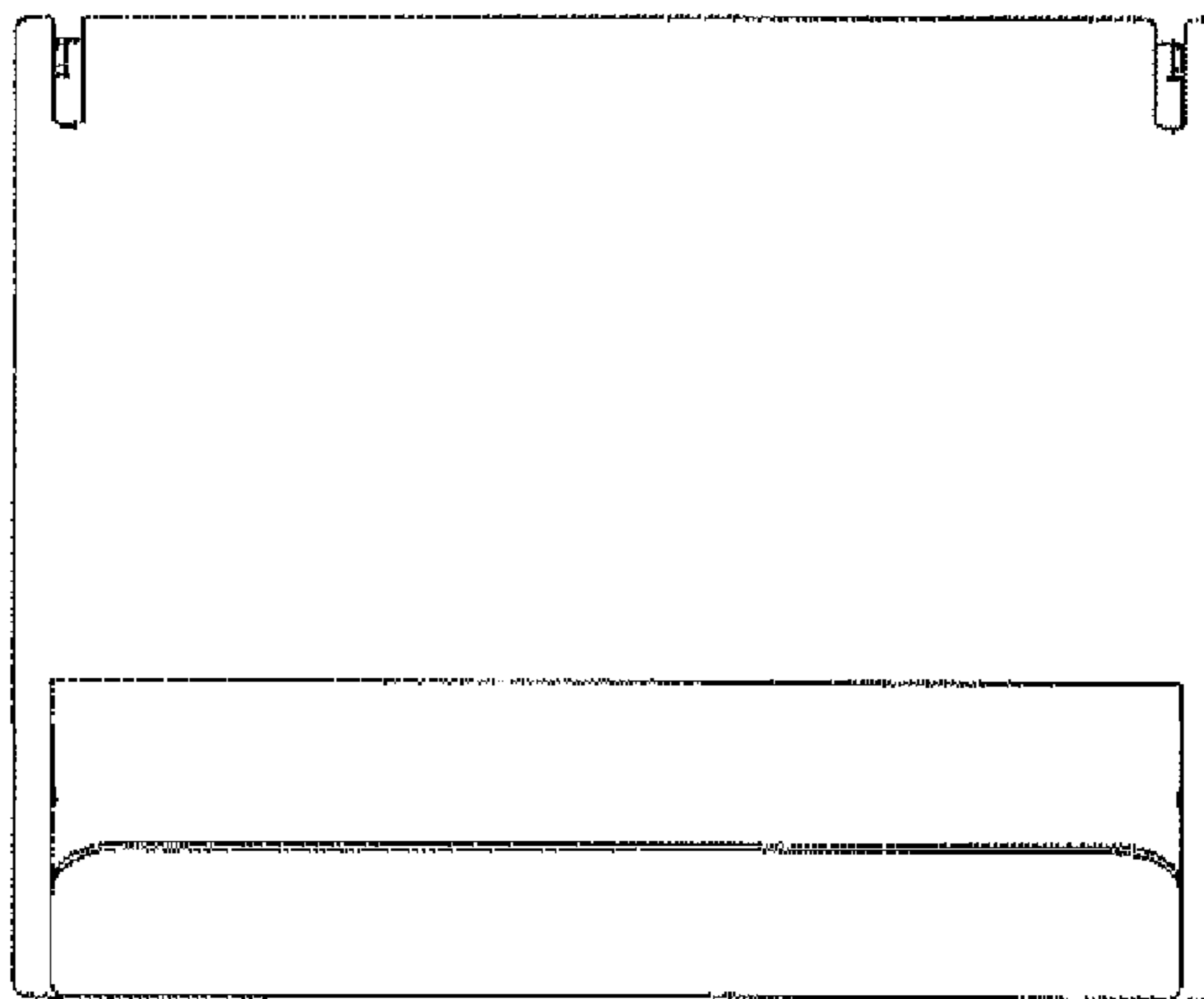


FIG. 11

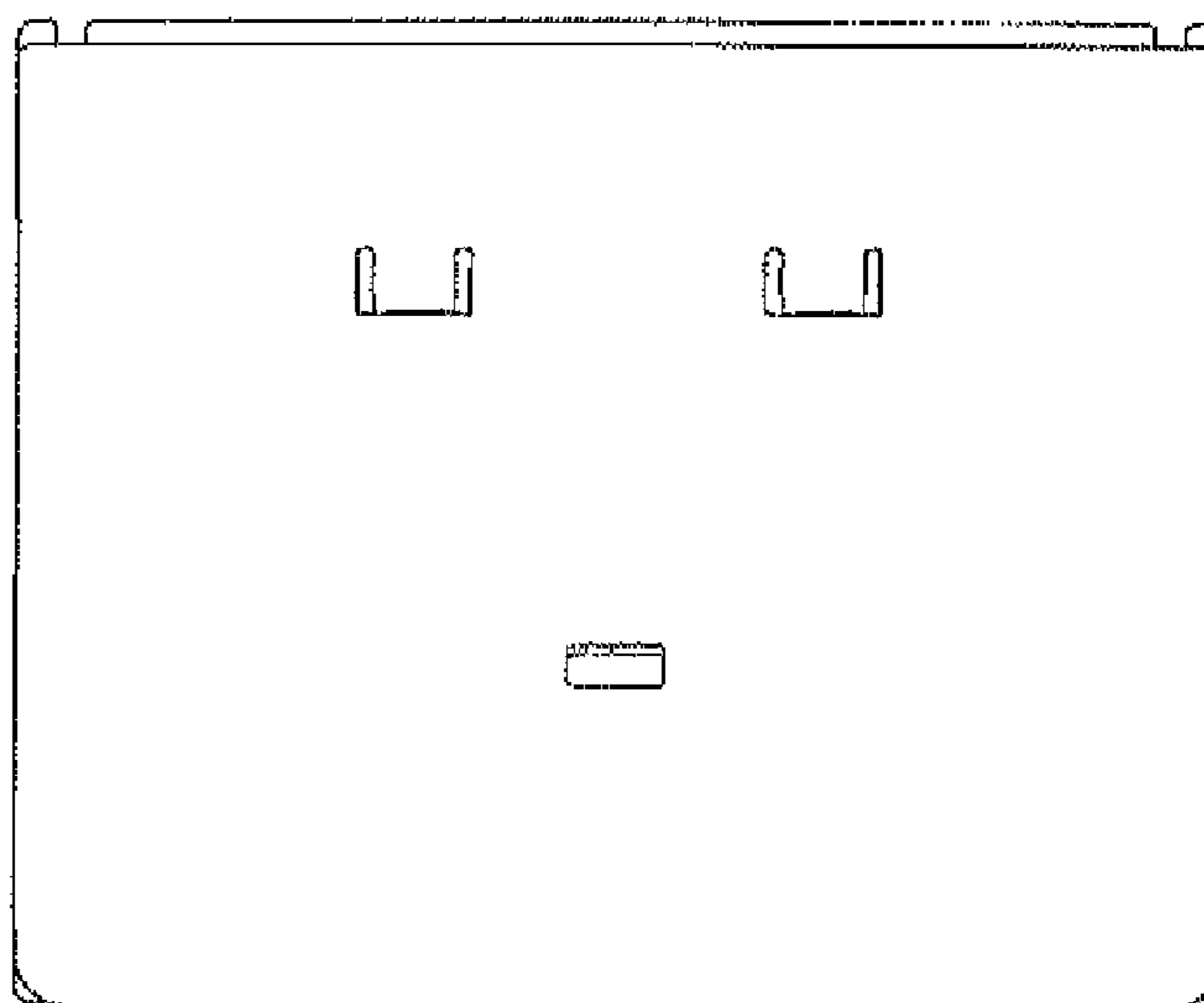


FIG. 12

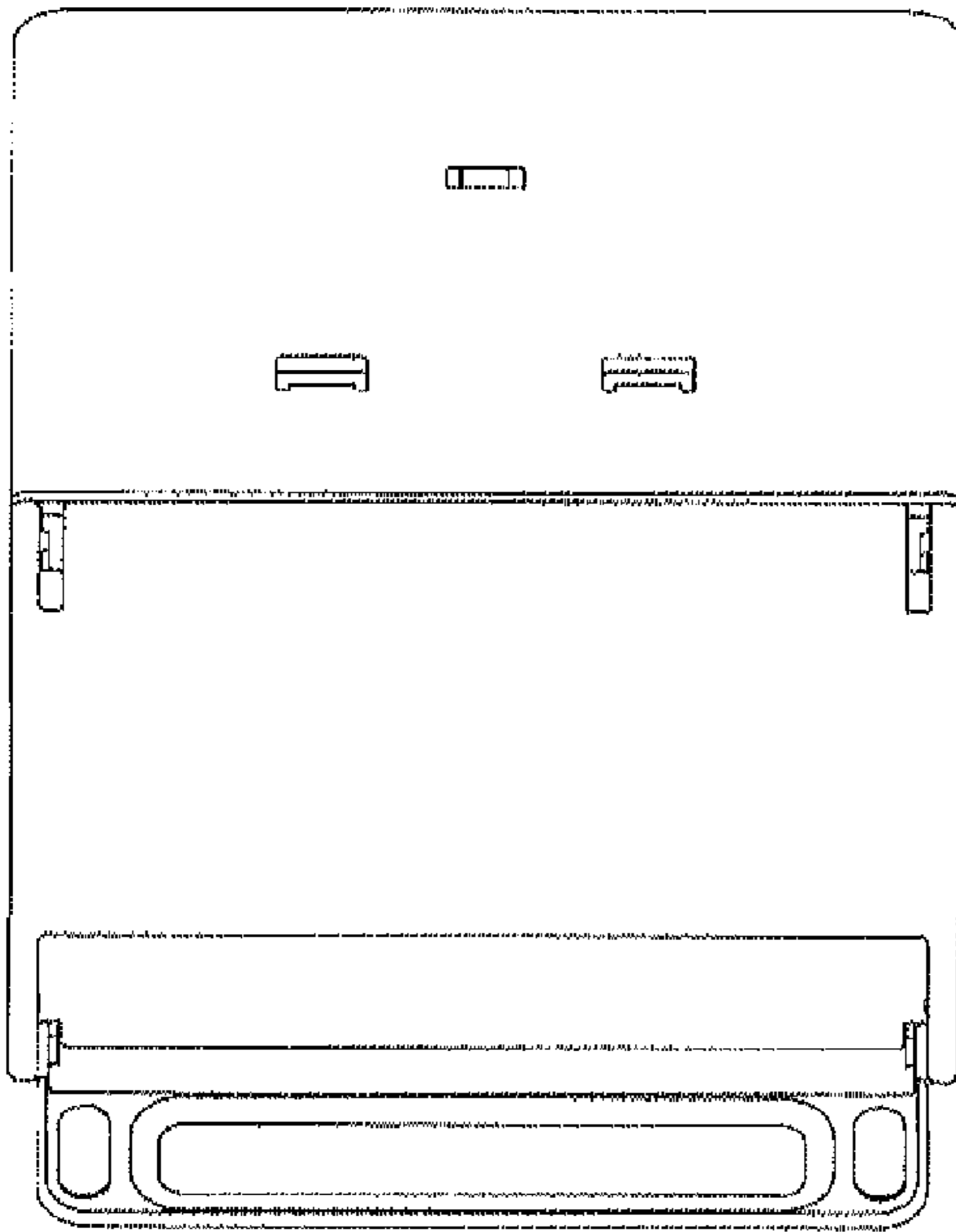


FIG. 13

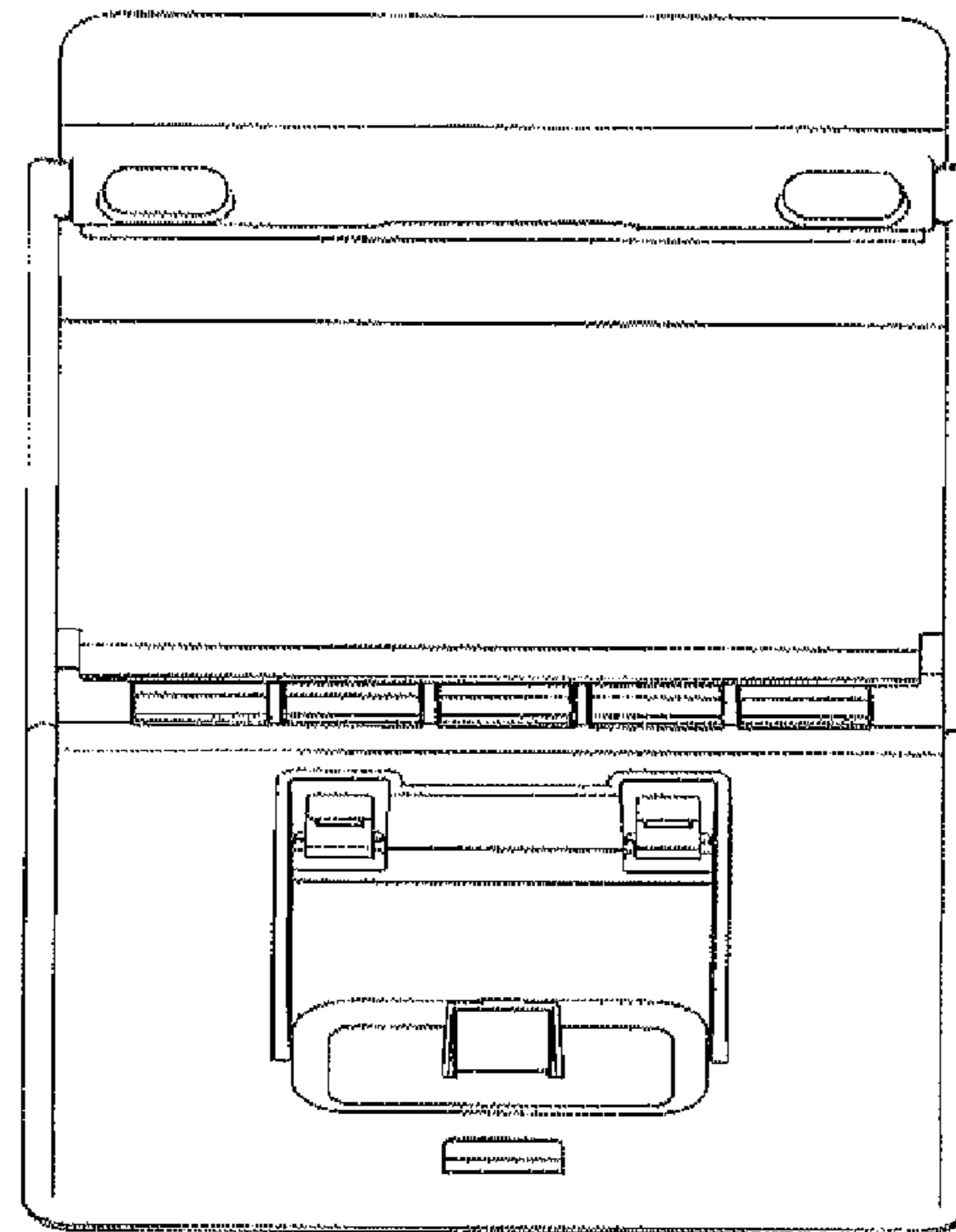


FIG. 14

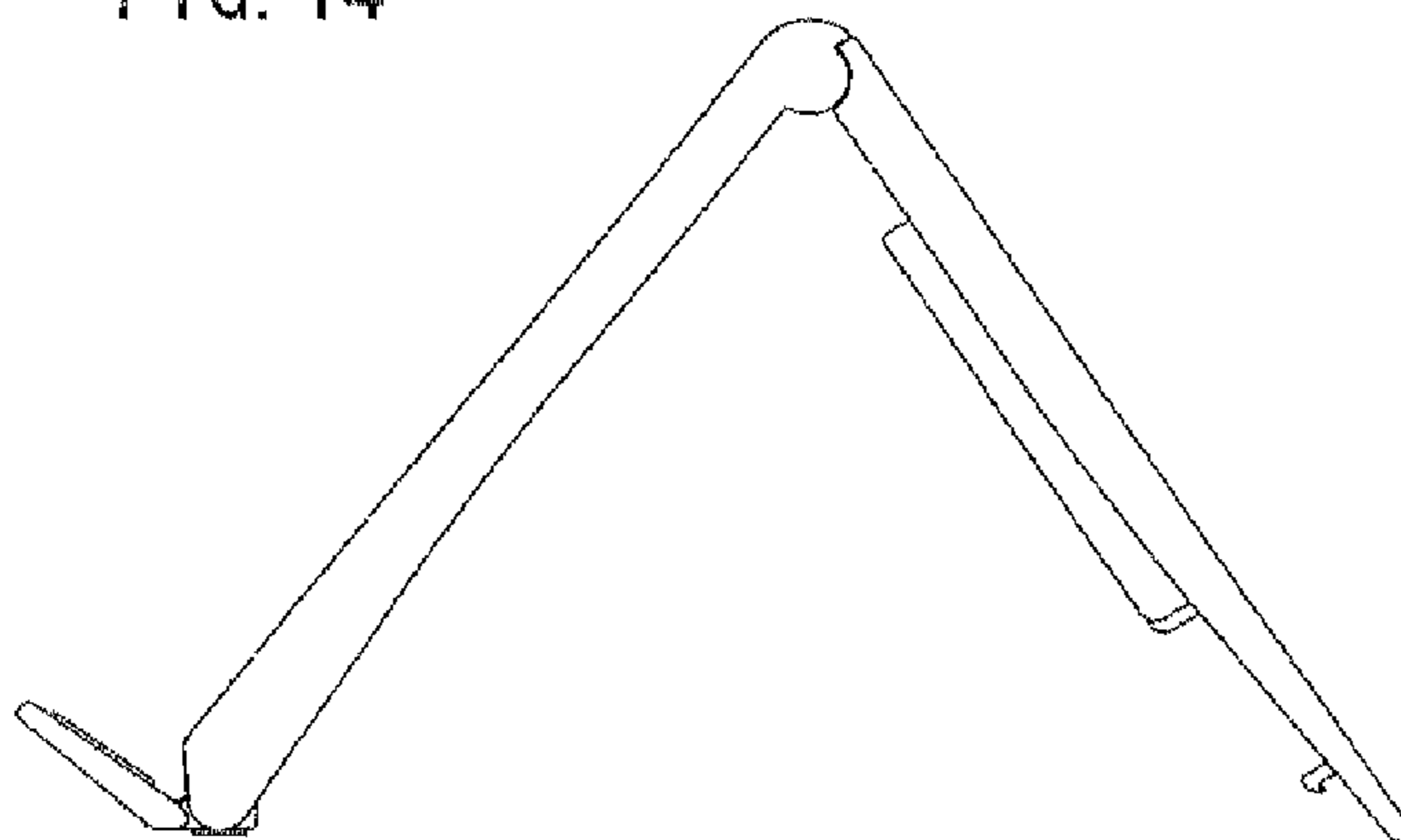


FIG. 15

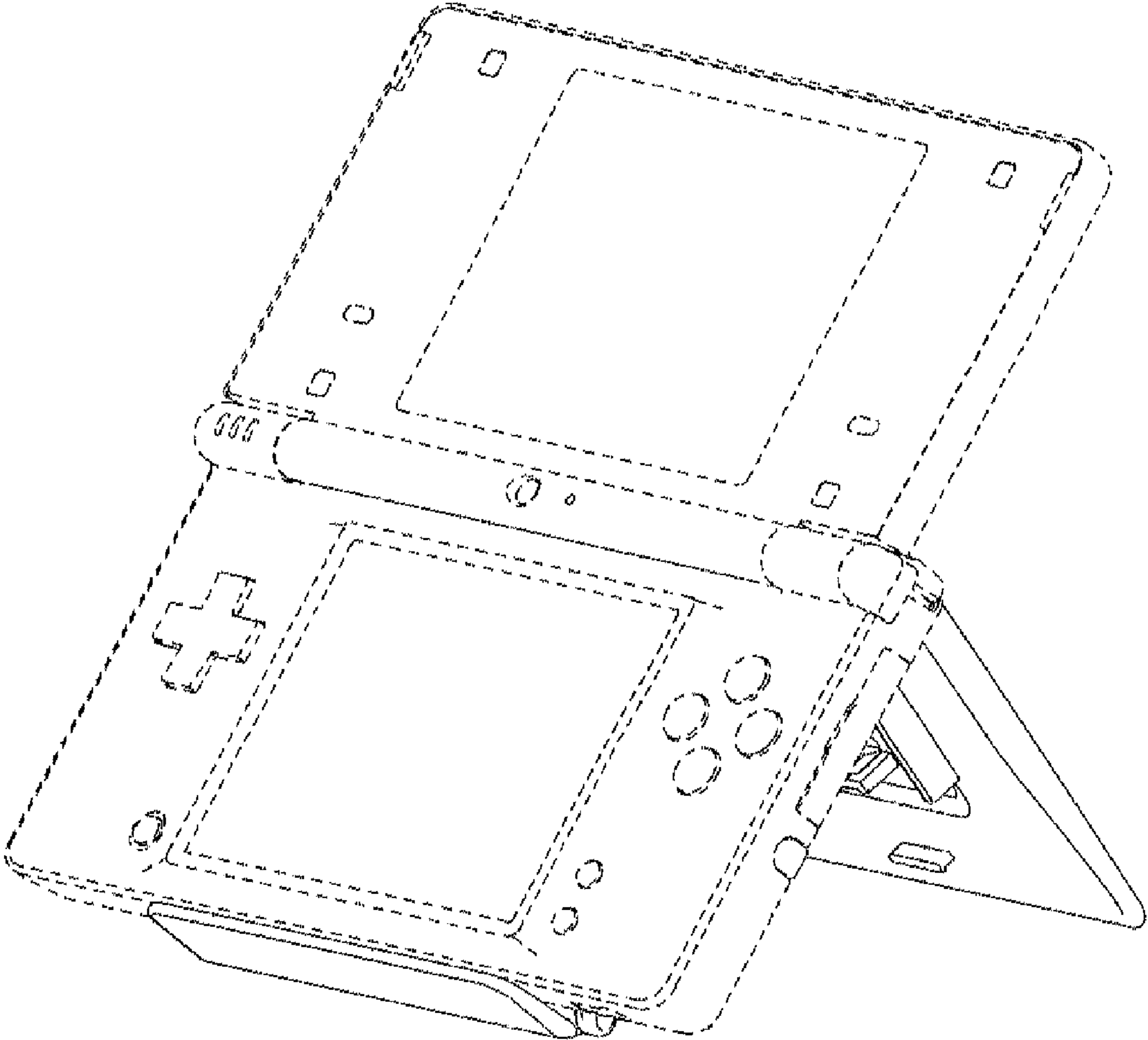




FIG. 16

