



US00D656497S

(12) **United States Design Patent**  
**Chiu**

(10) **Patent No.:** **US D656,497 S**  
(45) **Date of Patent:** **\*\* Mar. 27, 2012**

(54) **TABLET PC**

(75) Inventor: **Yi-Chung Chiu**, Taoyuan County (TW)

(73) Assignee: **Hannspree, Inc.**, Taipei County (TW)

(\*\*) Term: **14 Years**

(21) Appl. No.: **29/379,823**

(22) Filed: **Nov. 24, 2010**

(51) **LOC (9) Cl.** ..... **14-02**

(52) **U.S. Cl.** ..... **D14/341**

(58) **Field of Classification Search** ..... D14/341-347,  
D14/137, 138, 138.1, 138 AA, 138 R, 138 AB,  
D14/138 AC, 138 AD, 138 C, 138 G, 496,  
D14/203.1, 203.3, 203.4, 203.5, 203.7, 426,  
D14/427, 432, 429, 129, 130, 420, 439-441,  
D14/448, 125, 147, 156, 218, 247-248, 250,  
D14/389, 388, 315-318; D10/65, 104; D18/6-7;  
D21/324, 329, 330; D19/26, 59, 60; 455/556.1,  
455/556.2, 566, 575.1, 90.3; 379/433.04,  
379/433.01, 433.06, 916; 345/169, 173,  
345/901, 905; 361/679.26, 679.27, 679.3,  
361/679.55, 679.56

See application file for complete search history.

(56) **References Cited**

U.S. PATENT DOCUMENTS

D458,602	S	*	6/2002	Hasegawa et al.	.....	D14/374
D514,563	S	*	2/2006	Kuramashi et al.	.....	D14/358
D534,182	S	*	12/2006	Leija et al.	.....	D14/496
D534,545	S	*	1/2007	Leija et al.	.....	D14/496
D571,798	S	*	6/2008	Ogasawara	.....	D14/341
D606,549	S	*	12/2009	He	.....	D14/480.7
D625,722	S	*	10/2010	Park	.....	D14/365
D633,882	S	*	3/2011	Sadatsuki	.....	D14/138 G
D634,318	S	*	3/2011	Buckle et al.	.....	D14/341
D640,255	S	*	6/2011	Lee et al.	.....	D14/341
D641,753	S	*	7/2011	Obata	.....	D14/356

\* cited by examiner

*Primary Examiner* — Barbara Fox

(74) *Attorney, Agent, or Firm* — Muncy, Geissler, Olds & Lowe, PLLC

(57) **CLAIM**

The ornamental design for a tablet PC, as shown and described.

**DESCRIPTION**

FIG. 1 is a front perspective view of a tablet PC showing the design;

FIG. 2 is a front view thereof;

FIG. 3 is a rear view thereof;

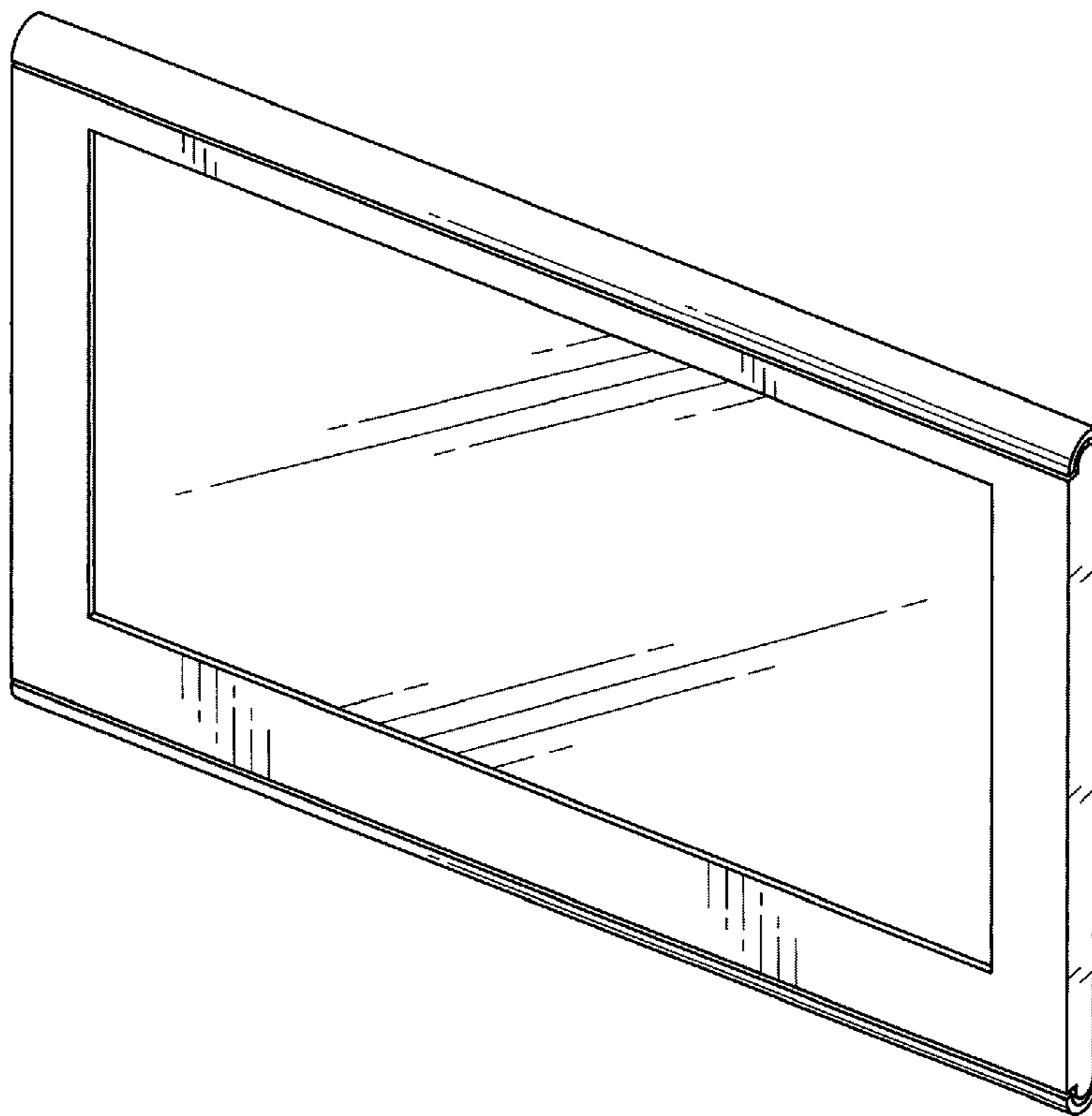
FIG. 4 is a left side view thereof;

FIG. 5 is a right side view thereof;

FIG. 6 is a top view thereof; and,

FIG. 7 is a bottom view thereof.

**1 Claim, 7 Drawing Sheets**



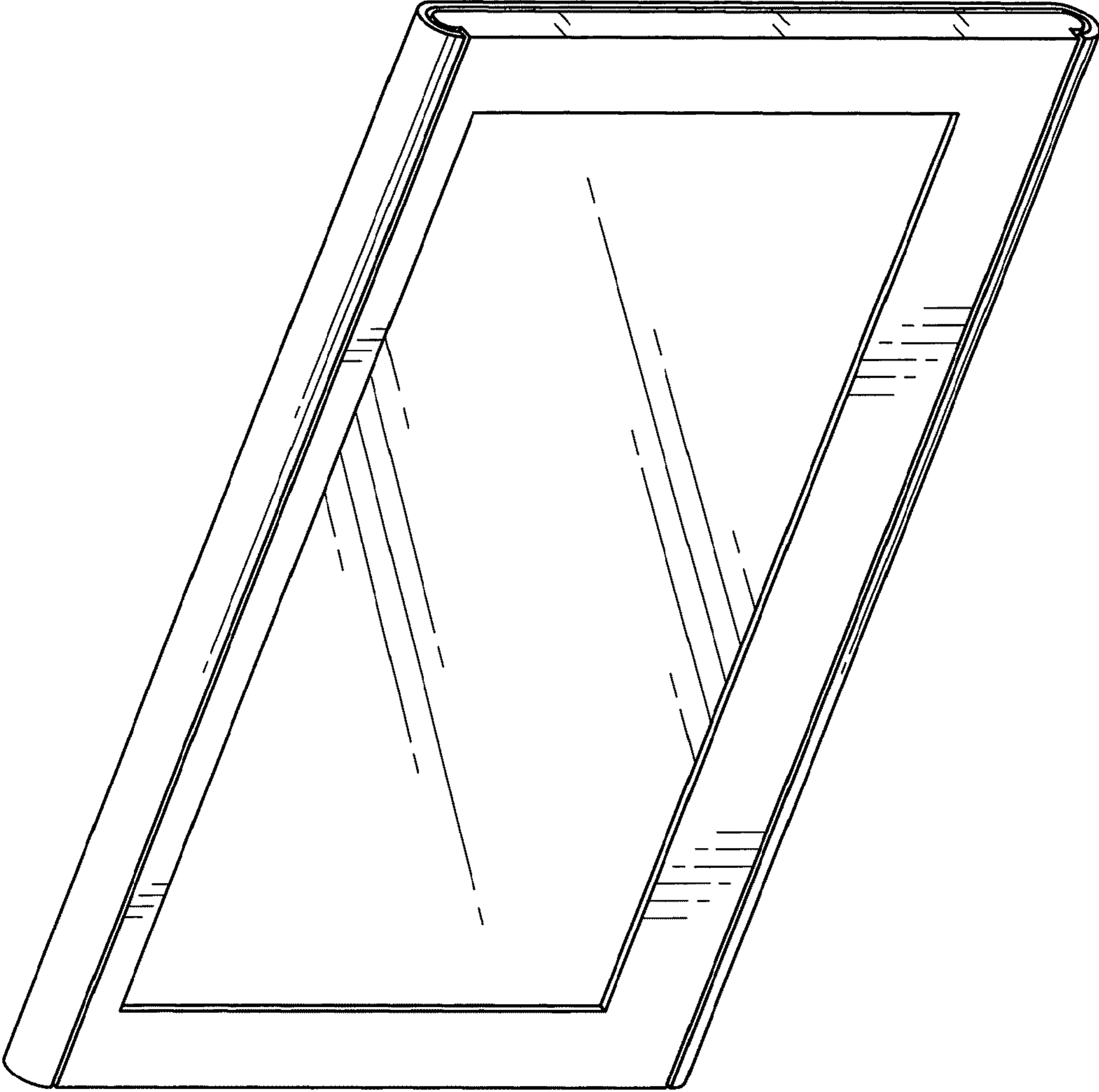


FIG. 1

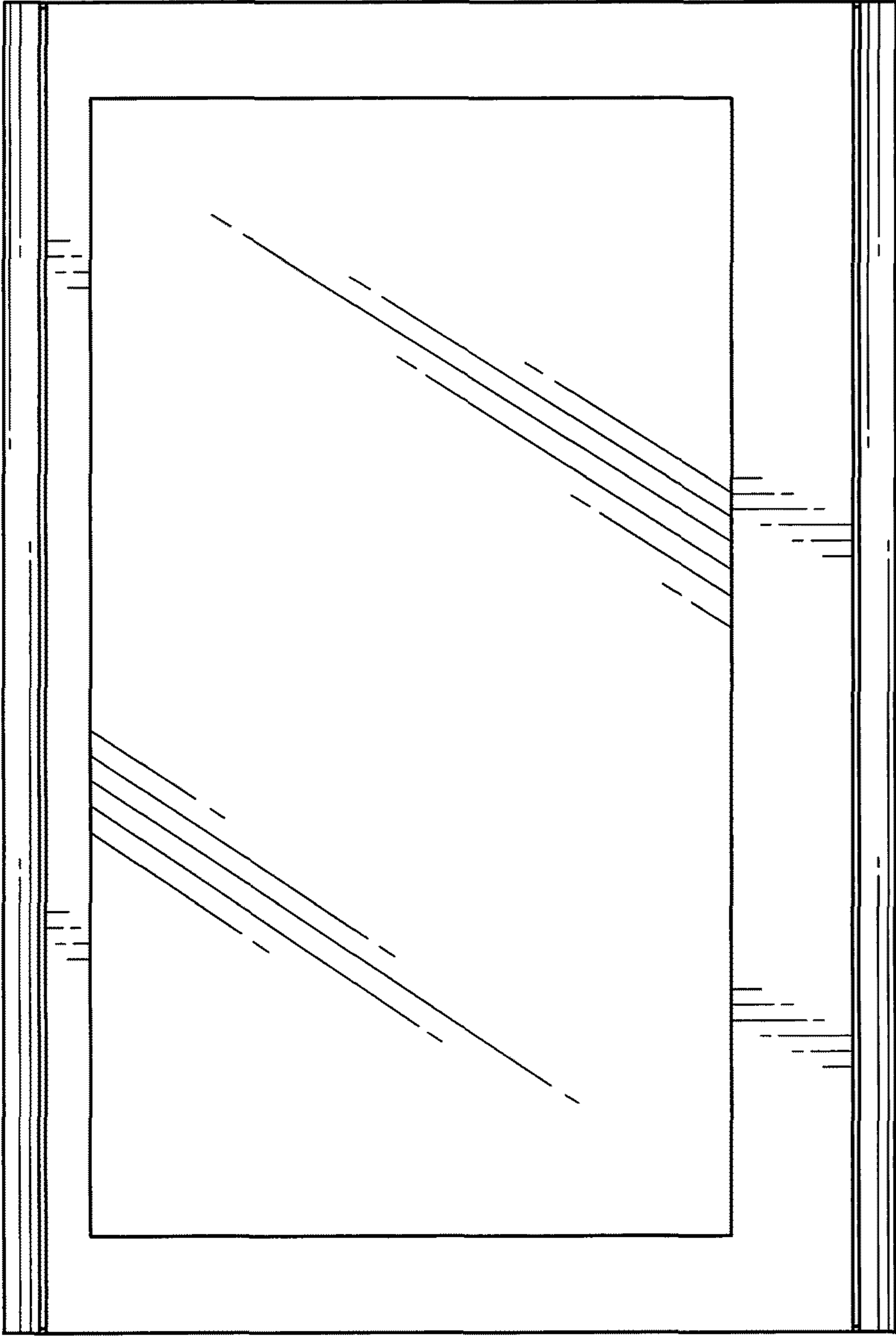


FIG. 2

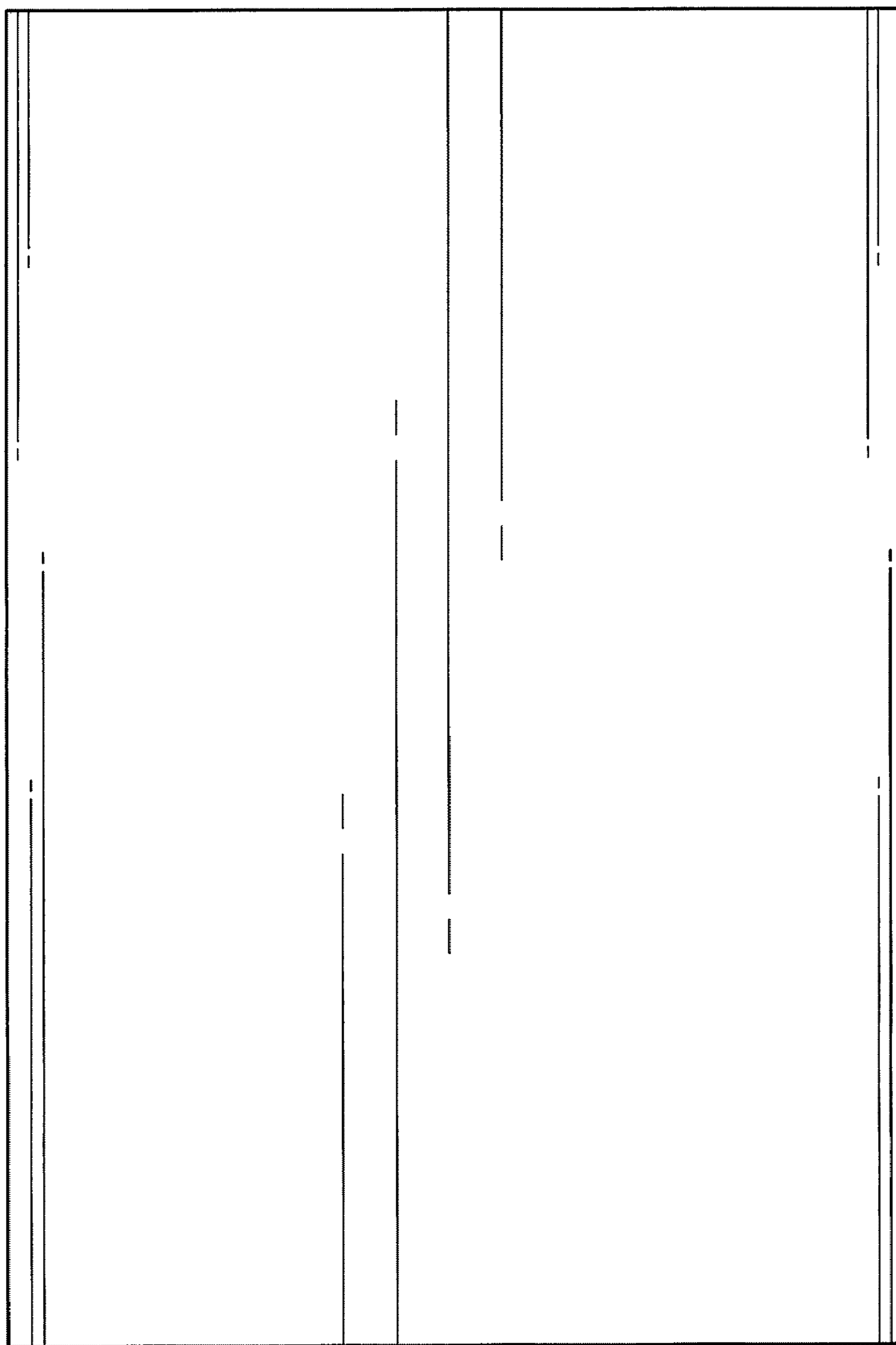


FIG. 3



FIG. 4



FIG. 5

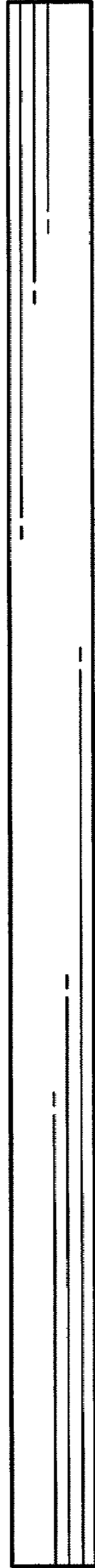


FIG. 6

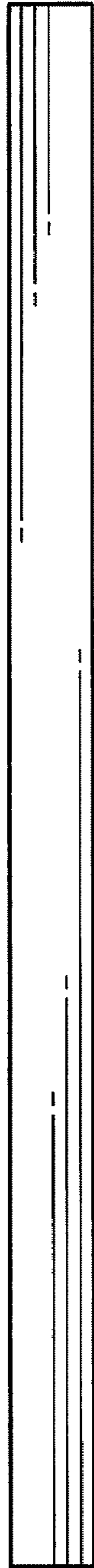


FIG. 7