



US00D656496S

(12) **United States Design Patent**
Andre et al.

(10) **Patent No.:** **US D656,496 S**
(45) **Date of Patent:** **** Mar. 27, 2012**

(54) **ELECTRONIC DEVICE**

(75) Inventors: **Bartley K. Andre**, Menlo Park, CA (US); **Daniel J. Coster**, San Francisco, CA (US); **Daniele De Iuliis**, San Francisco, CA (US); **Evans Hankey**, San Francisco, CA (US); **Richard P. Howarth**, San Francisco, CA (US); **Jonathan P. Ive**, San Francisco, CA (US); **Steve Jobs**, Palo Alto, CA (US); **Duncan Robert Kerr**, San Francisco, CA (US); **Shin Nishibori**, Portola Valley, CA (US); **Matthew Dean Rohrbach**, San Francisco, CA (US); **Peter Russell-Clarke**, San Francisco, CA (US); **Douglas B. Satzger**, Menlo Park, CA (US); **Christopher J. Stringer**, Woodside, CA (US); **Eugene Antony Whang**, San Francisco, CA (US); **Rico Zorkendorfer**, San Francisco, CA (US)

(73) Assignee: **Apple Inc.**, Cupertino, CA (US)

(**) Term: **14 Years**

(21) Appl. No.: **29/375,895**

(22) Filed: **Sep. 29, 2010**

Related U.S. Application Data

(60) Continuation of application No. 29/356,013, filed on Feb. 18, 2010, now Pat. No. Des. 626,552, which is a division of application No. 29/330,323, filed on Jan. 5, 2009, now Pat. No. Des. 611,470, which is a continuation of application No. 29/330,161, filed on Dec. 30, 2008, now Pat. No. Des. 590,826.

(51) **LOC (9) Cl.** **14-02**

(52) **U.S. Cl.** **D14/341; D14/496**

(58) **Field of Classification Search** D14/496, D14/401, 435, 474, 483, 217, 137, 138, 160, D14/168, 203.1–203.8, 341–347, 138 R, D14/138 C, 138 G, 454, 439, 455, 456, 192, D14/239, 247, 315, 327, 331, 336, 338, 339, D14/374, 393, 394, 399, 400, 429, 432, 125, D14/126, 129, 130; D21/324, 329, 330, D21/331, 333; D18/7; D10/32; 455/556.1, 455/556.2, 11.1, 773, 344–347, 93, 95; 379/433.01, 379/433.07, 433.1, 433.11, 433.12, 433.13; 345/169, 156, 173–179, 905; 348/14.02, 348/790; 341/22; 361/680; 273/148 B; 368/281; 715/727–729, 864; 370/342–344; 369/1, 369/2, 6, 12; 463/43–47
See application file for complete search history.

(56) **References Cited**

U.S. PATENT DOCUMENTS

D141,980 S * 8/1945 Holland et al. D3/274
(Continued)

OTHER PUBLICATIONS

U.S. Appl. No. 29/364,118, Andre et al., “Media Device”, filed Jun. 18, 2010.

Primary Examiner — Barbara Fox

(74) *Attorney, Agent, or Firm* — Sterne, Kessler, Goldstein & Fox PLLC

(57) **CLAIM**

The ornamental design for an electronic device, as shown and described.

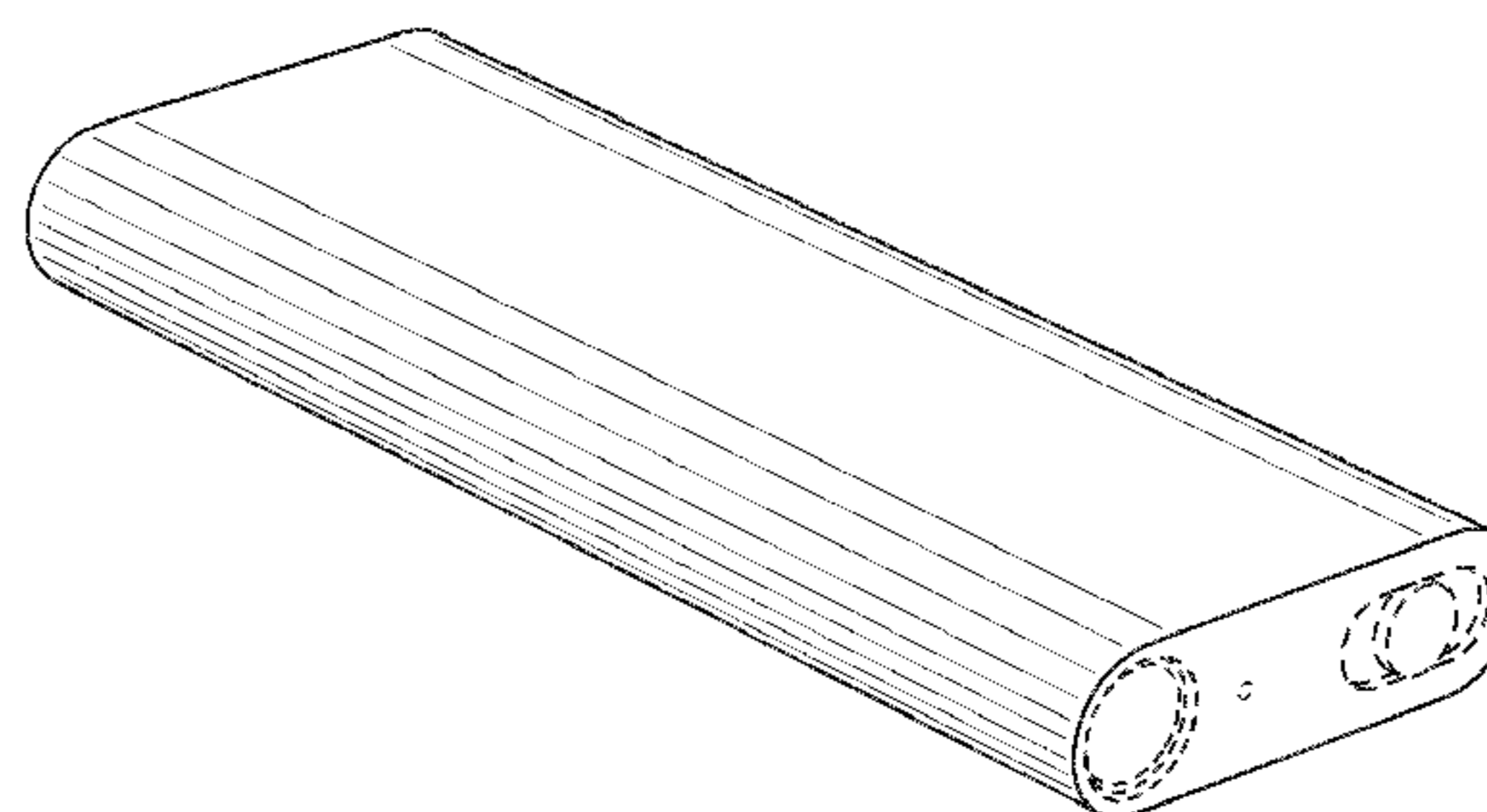
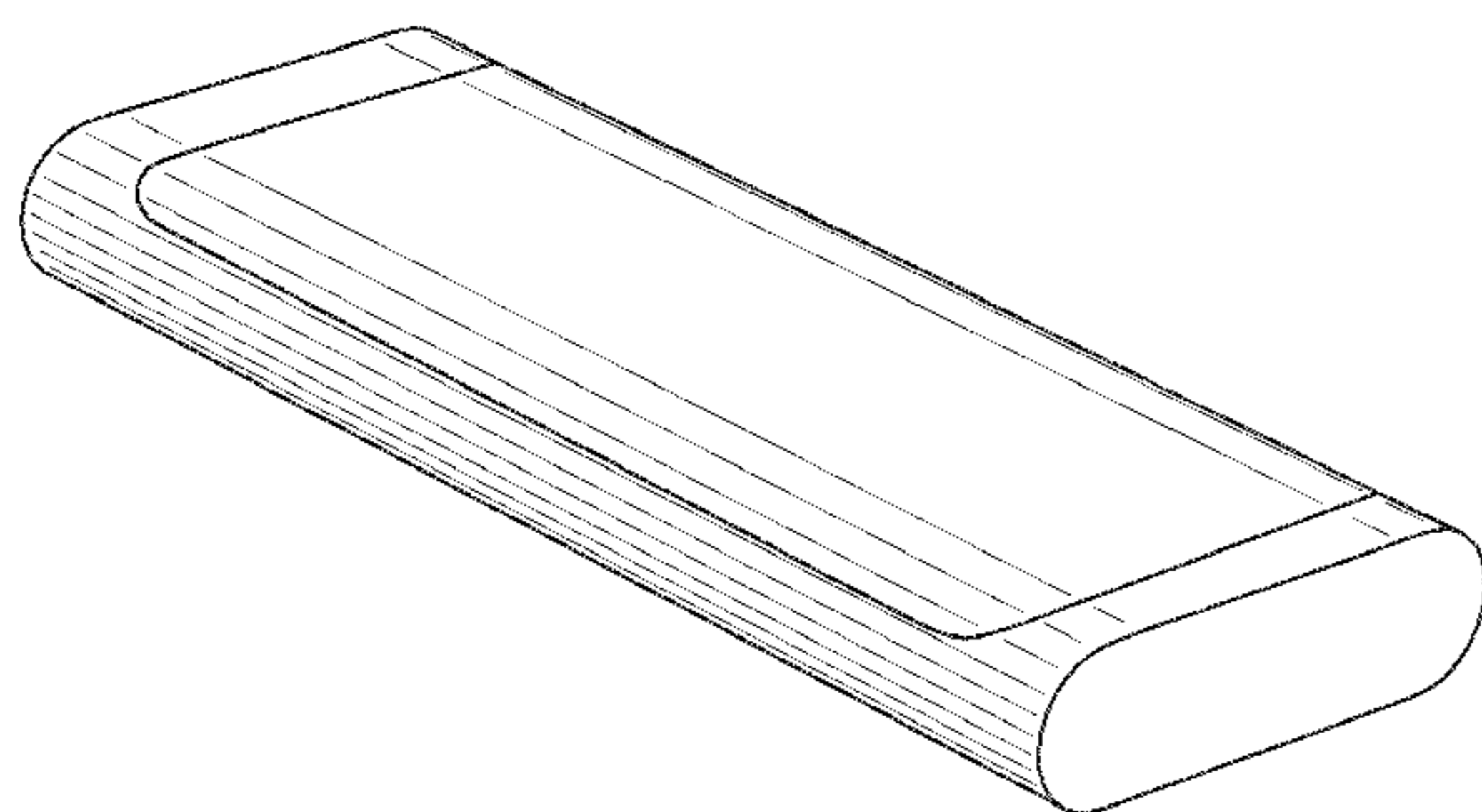
DESCRIPTION

FIG. 1 is a bottom front perspective view of an electronic device showing our new design;
FIG. 2 is a bottom rear perspective view thereof;
FIG. 3 is top front perspective view thereof;
FIG. 4 is top rear perspective view thereof;
FIG. 5 is a front view thereof;
FIG. 6 is a rear view thereof;
FIG. 7 is a bottom view thereof;
FIG. 8 is top view thereof;
FIG. 9 is a right side view thereof; and,
FIG. 10 is a left side view thereof.

The shade lines in the Figures show contour and not surface ornamentation.

The broken lines in the Figures show portions of the electronic device which form no part of the claimed design.

1 Claim, 4 Drawing Sheets



US D656,496 S

Page 2

U.S. PATENT DOCUMENTS

4,165,554	A *	8/1979	Faget	16/426	D539,814	S	4/2007	Andre et al.	
D303,137	S *	8/1989	Brown	D22/117	D551,680	S *	9/2007	Andre et al.	D14/496
4,860,736	A *	8/1989	Kaitz et al.	604/307	D570,876	S *	6/2008	Lee	D14/496
D306,519	S	3/1990	Nakata		D574,014	S	7/2008	Dai	
D345,304	S *	3/1994	Leader	D9/418	D575,304	S	8/2008	Andre et al.	
D379,809	S *	6/1997	Lindeman	D14/137	D577,990	S *	10/2008	Andre et al.	D8/395
D396,860	S *	8/1998	Yasutomi	D14/168	D580,953	S	11/2008	Andre et al.	
D411,767	S *	7/1999	Keller	D3/273	D585,077	S	1/2009	Sheba et al.	
6,122,526	A	9/2000	Parulski et al.		D586,740	S	2/2009	Song	
D432,523	S	10/2000	Grinkus et al.		D586,741	S	2/2009	Song	
D441,735	S	5/2001	Katayama		D592,677	S	5/2009	Sheba et al.	
D446,499	S	8/2001	Andre et al.		D597,090	S	7/2009	Bemelmans	
7,013,164	B2	3/2006	Lin		D618,207	S	6/2010	Andre et al.	
D520,502	S	5/2006	Xu et al.						

* cited by examiner

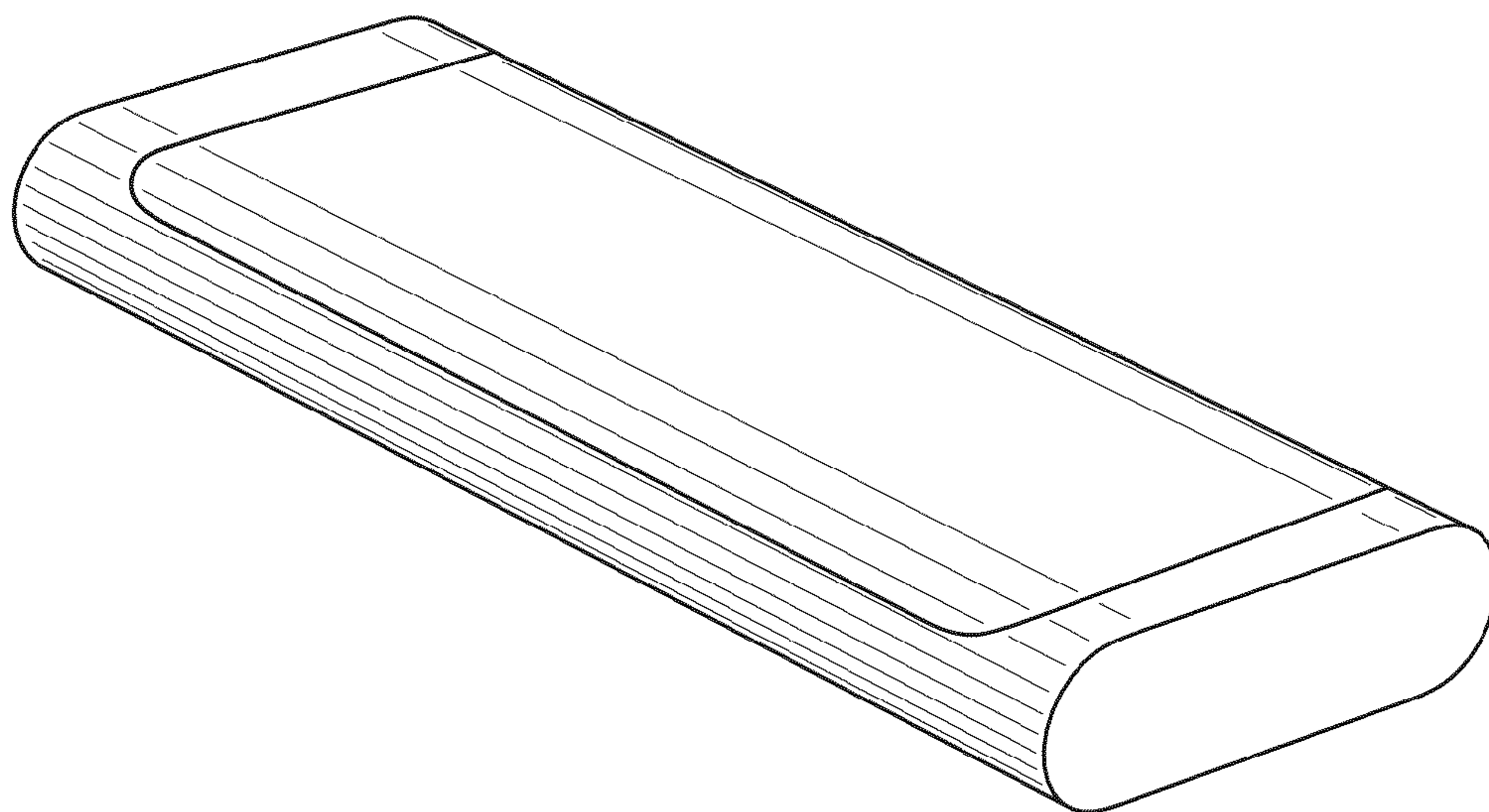


FIG. 1

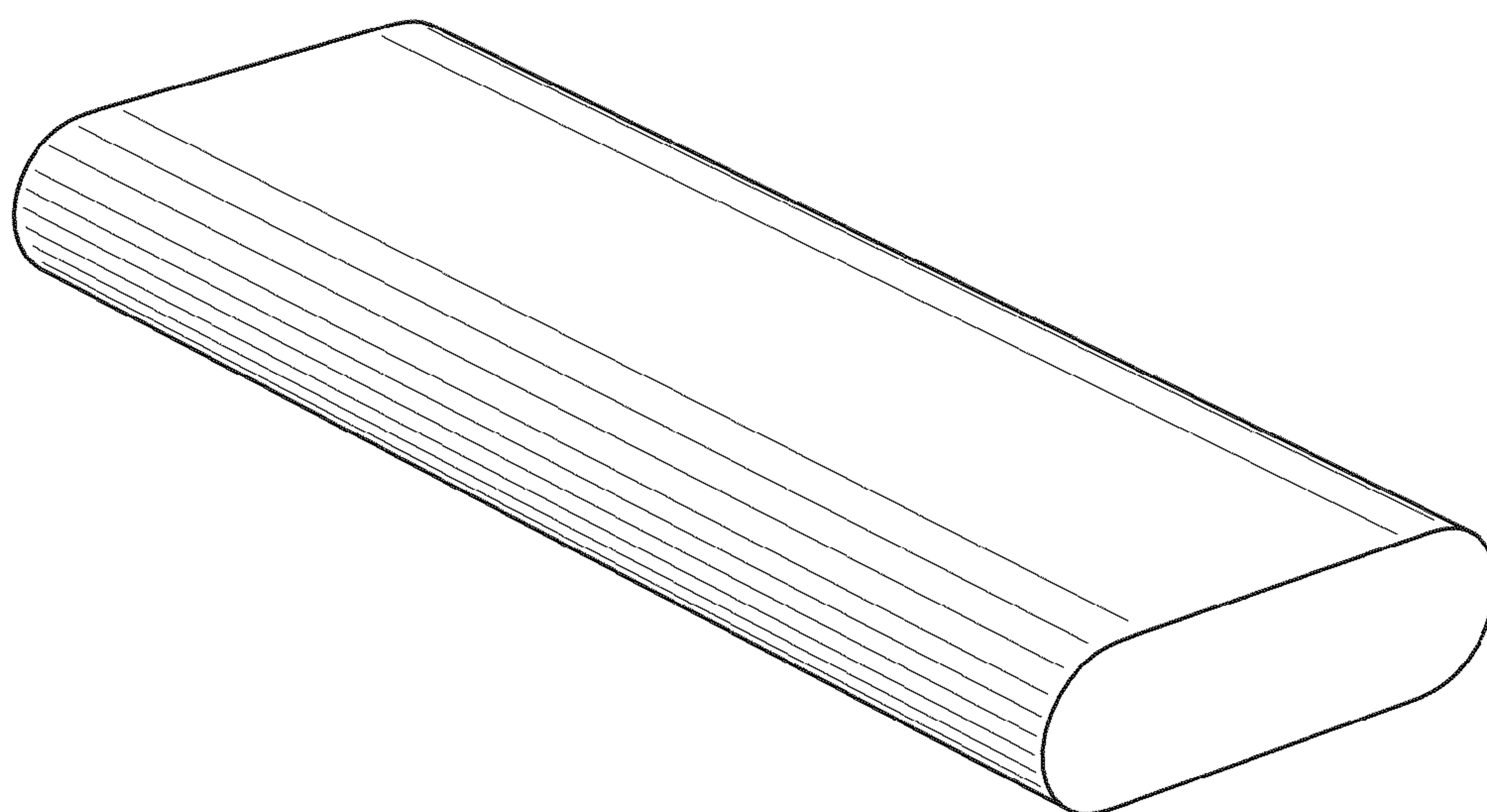


FIG. 2

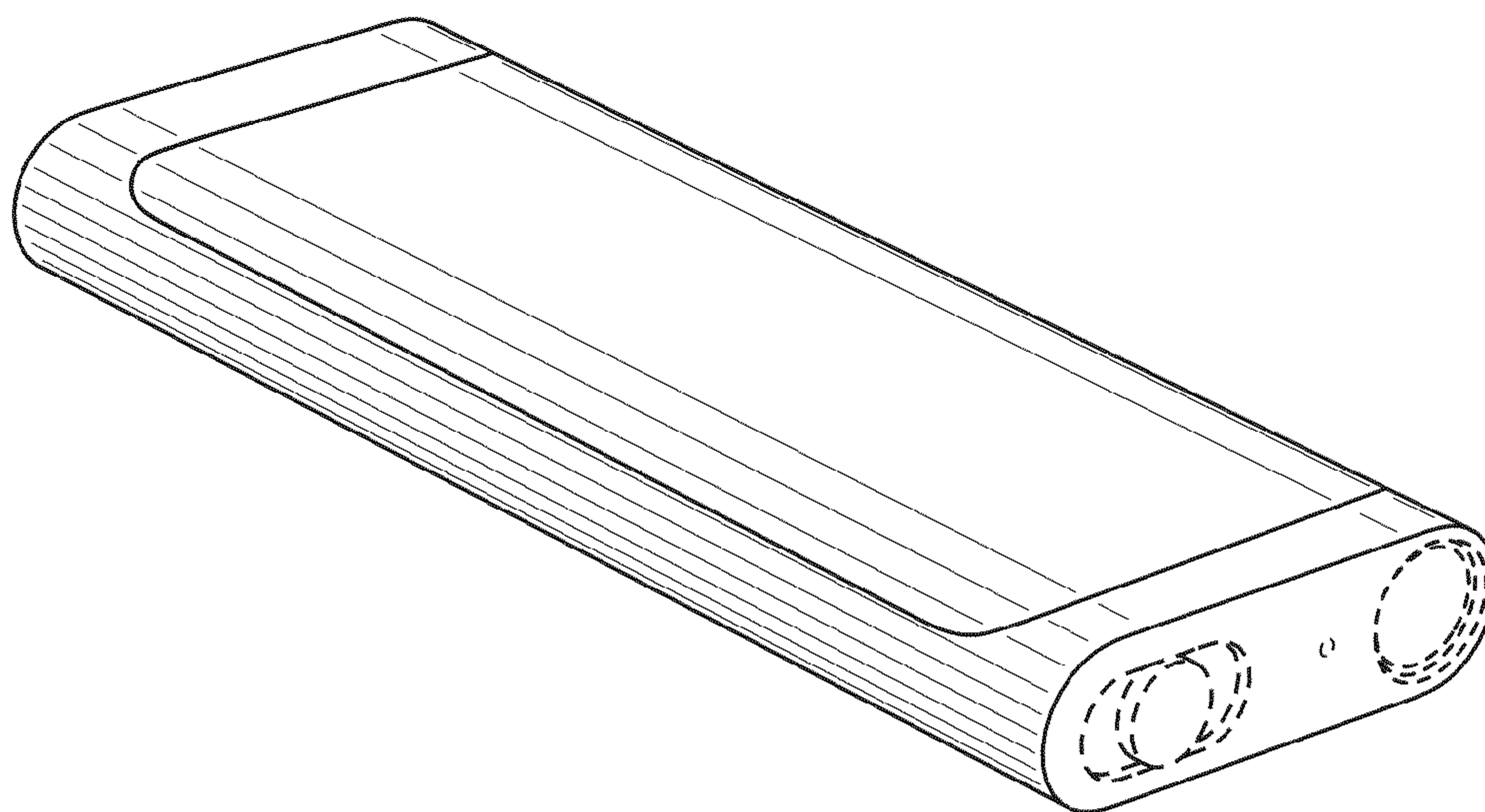


FIG. 3

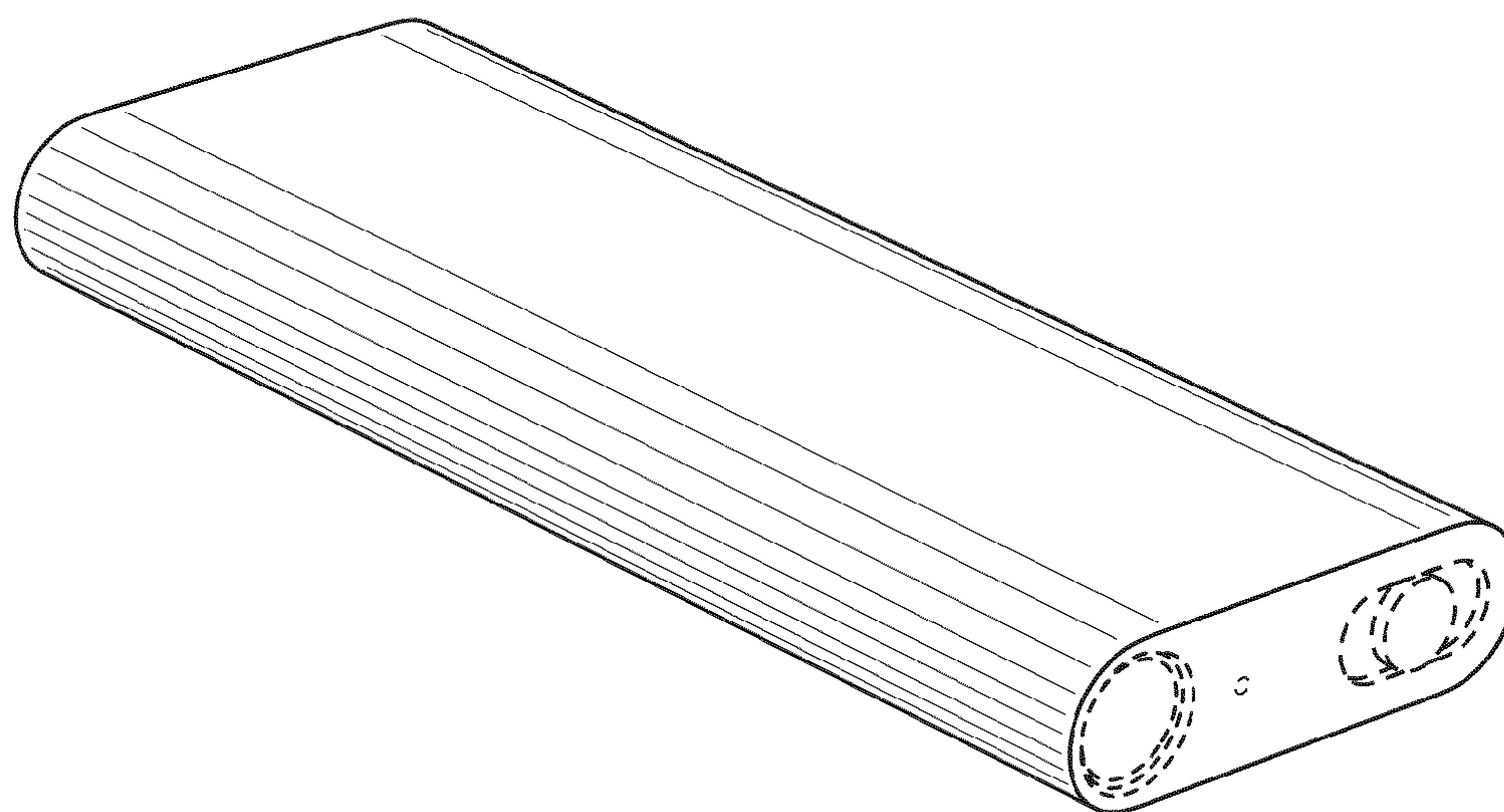


FIG. 4

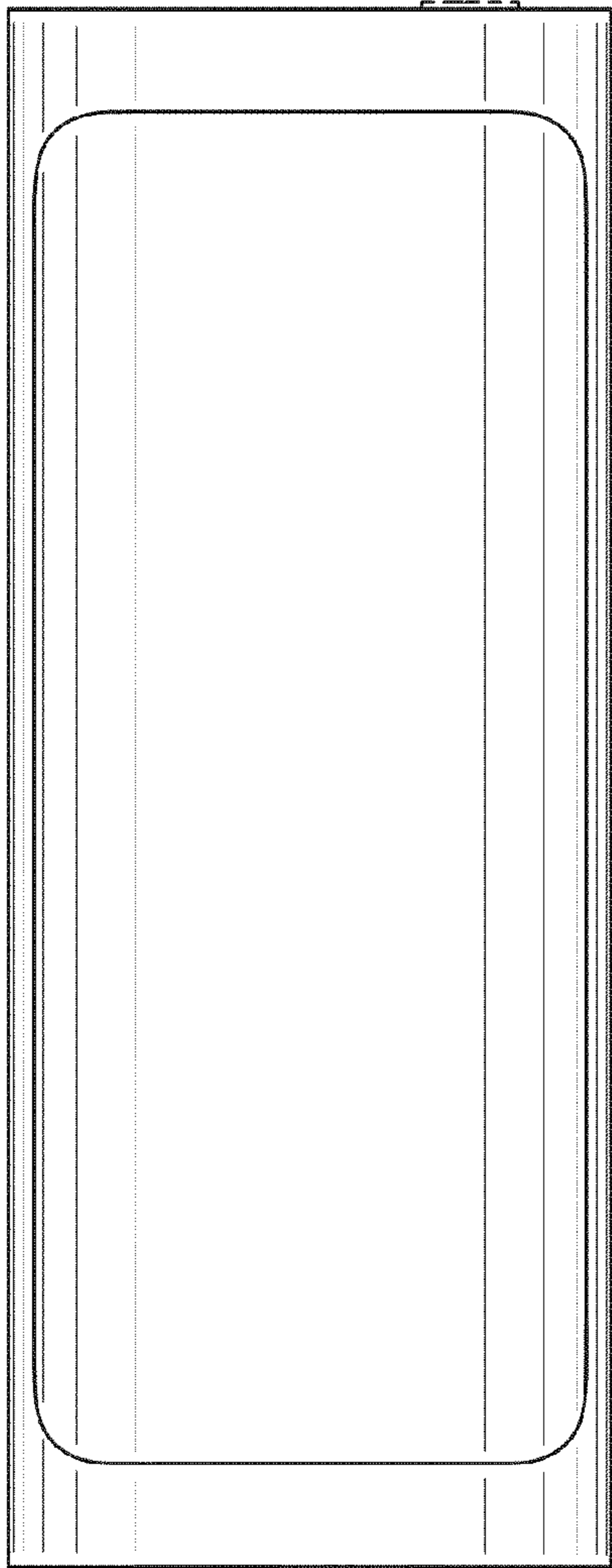


FIG. 5

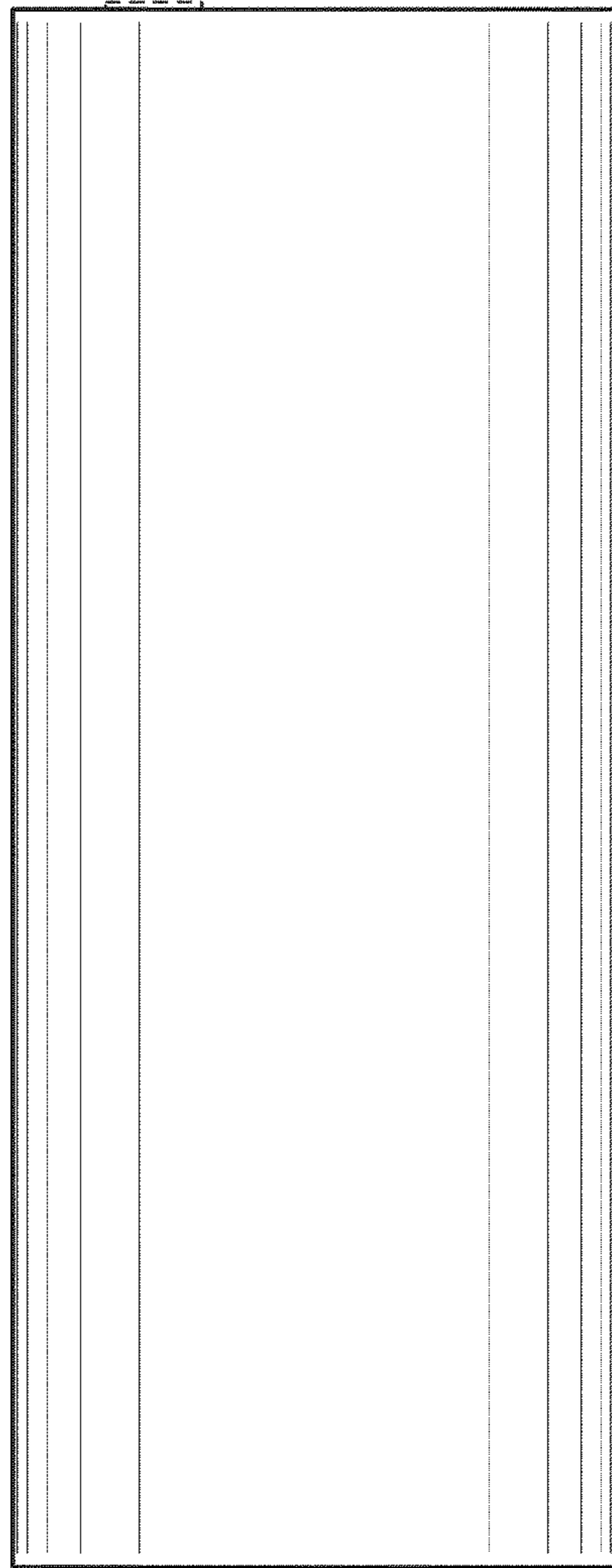


FIG. 6

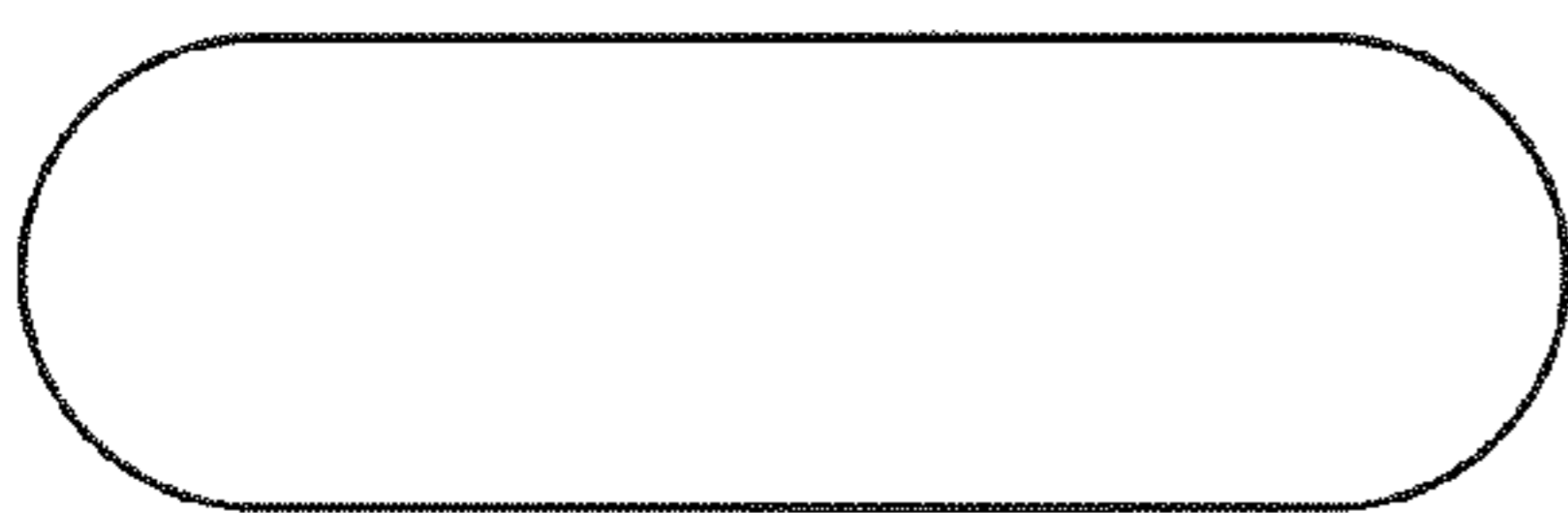


FIG. 7

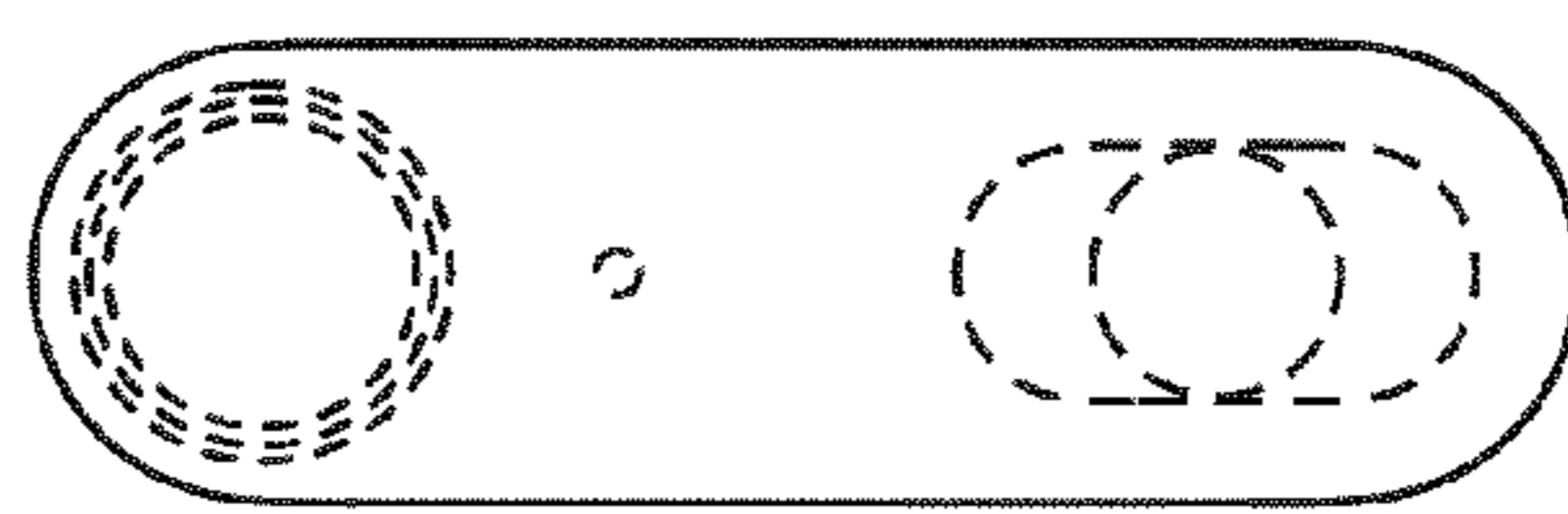


FIG. 8

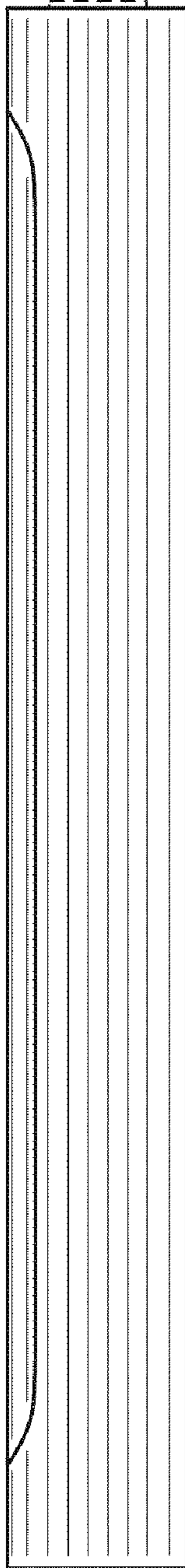


FIG. 9

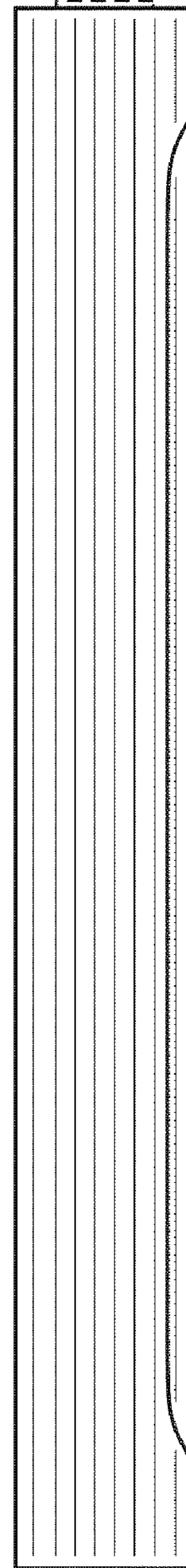


FIG. 10