



US00D656491S

(12) **United States Design Patent**  
**Nomura**

(10) **Patent No.:** **US D656,491 S**  
(45) **Date of Patent:** **\*\* Mar. 27, 2012**

(54) **EARPHONE**

(75) Inventor: **Yuto Nomura**, Tokyo (JP)

(73) Assignee: **JVC Kenwood Corporation**, Yokohama (JP)

(\*\*) Term: **14 Years**

(21) Appl. No.: **29/386,217**

(22) Filed: **Feb. 25, 2011**

(30) **Foreign Application Priority Data**

Nov. 19, 2010 (JP) ..... D2010-027843

(51) **LOC (9) Cl.** ..... **14-01**

(52) **U.S. Cl.** ..... **D14/223**

(58) **Field of Classification Search** ..... D14/205,  
D14/206, 223; 181/129, 130, 135; 379/430,  
379/433.01, 420.04; 381/328, 364, 376,  
381/380, 381; 455/90.3, 575.1; 128/864,  
128/865

See application file for complete search history.

(56) **References Cited**

**U.S. PATENT DOCUMENTS**

D477,592 S \* 7/2003 Komiyama ..... D14/223  
D477,593 S \* 7/2003 Komiyama ..... D14/223  
D477,822 S \* 7/2003 Komiyama ..... D14/223  
D538,270 S \* 3/2007 Kim et al. .... D14/223

D539,268 S \* 3/2007 Suzuki ..... D14/206  
D584,293 S \* 1/2009 Kim et al. .... D14/223  
D587,681 S \* 3/2009 Yanai ..... D14/205  
D618,211 S \* 6/2010 Oguro et al. .... D14/205  
D627,764 S \* 11/2010 Tsai et al. .... D14/223  
D629,395 S \* 12/2010 Lee et al. .... D14/223  
D631,470 S \* 1/2011 Yoneyama et al. .... D14/223  
D637,585 S \* 5/2011 Nagayama et al. .... D14/223  
D639,282 S \* 6/2011 Ohori et al. .... D14/223  
D641,011 S \* 7/2011 Gondo ..... D14/223

\* cited by examiner

*Primary Examiner* — Paula Greene

(74) *Attorney, Agent, or Firm* — The Nath Law Group;  
Jerald L. Meyer; Robert T. Burns

(57) **CLAIM**

The ornamental design for an earphone, as shown and described.

**DESCRIPTION**

FIG. 1 is a front perspective view of an earphone;  
FIG. 2 is a front view thereof;  
FIG. 3 is a rear view thereof;  
FIG. 4 is a left side view thereof;  
FIG. 5 is a right side view thereof;  
FIG. 6 is a top plan view thereof; and,  
FIG. 7 is a bottom plan view thereof.

The broken lines showing on the drawing disclosure are for illustrative purposes only and form no part of the claimed design.

**1 Claim, 7 Drawing Sheets**

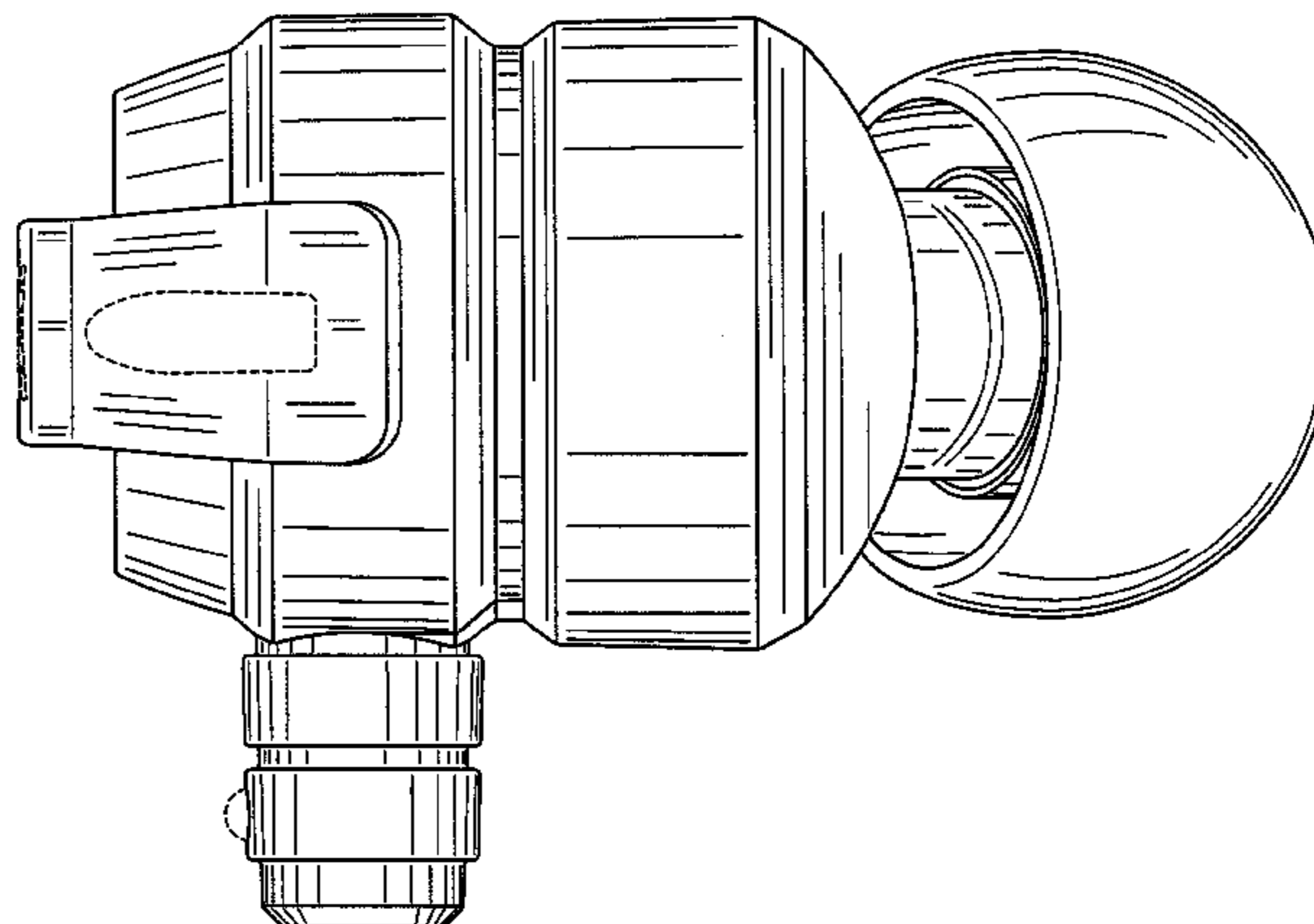
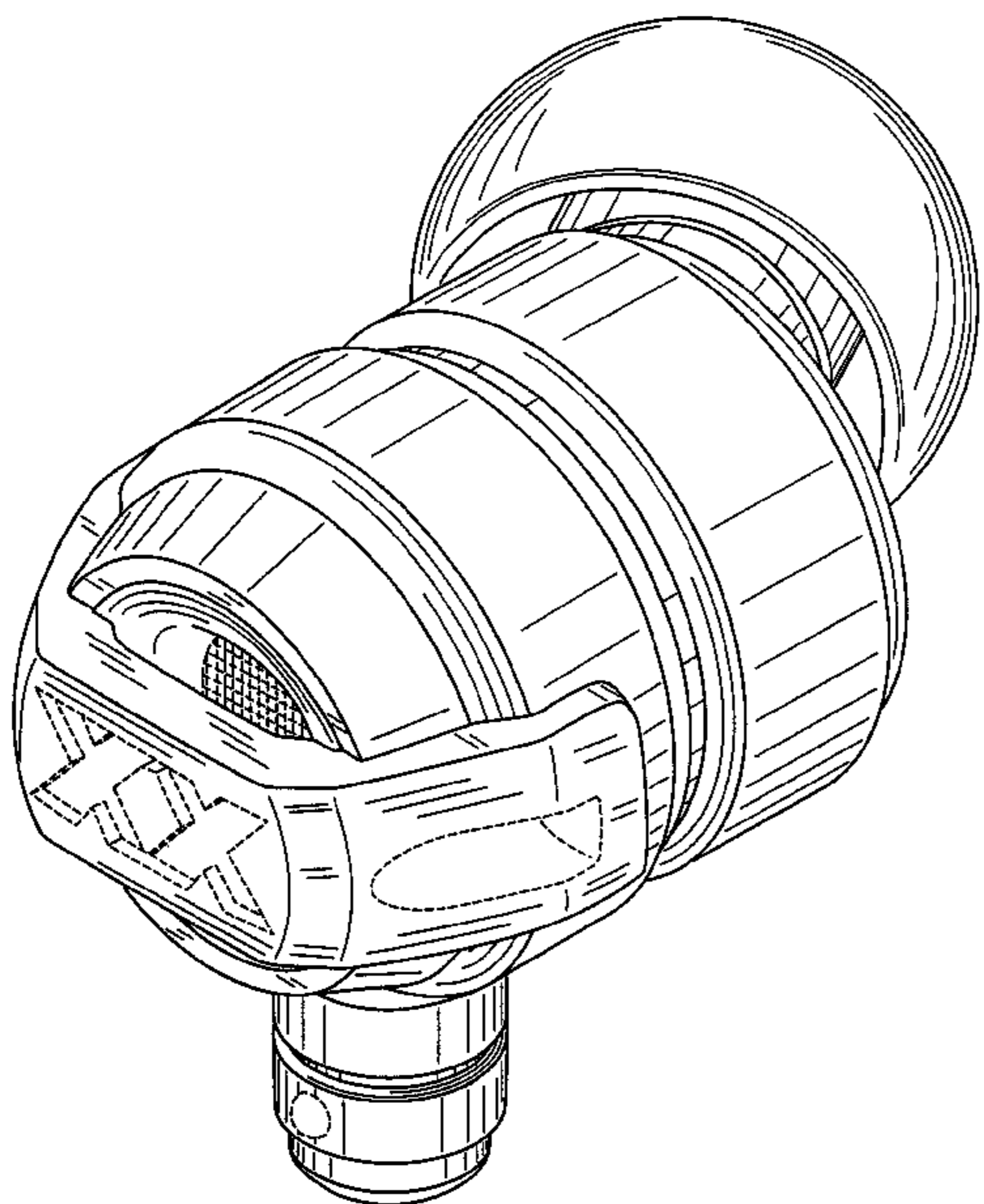


Fig.1

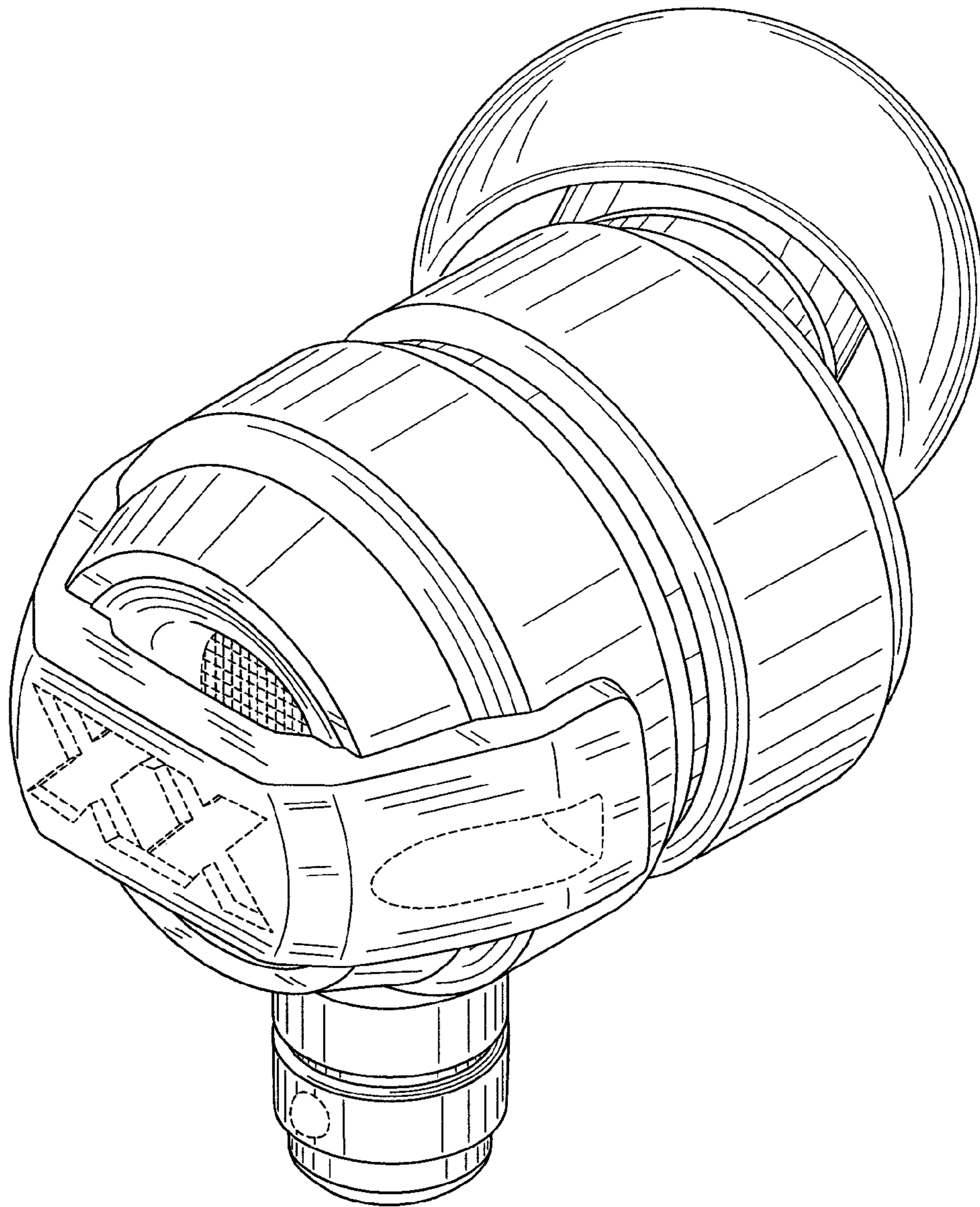


Fig.2

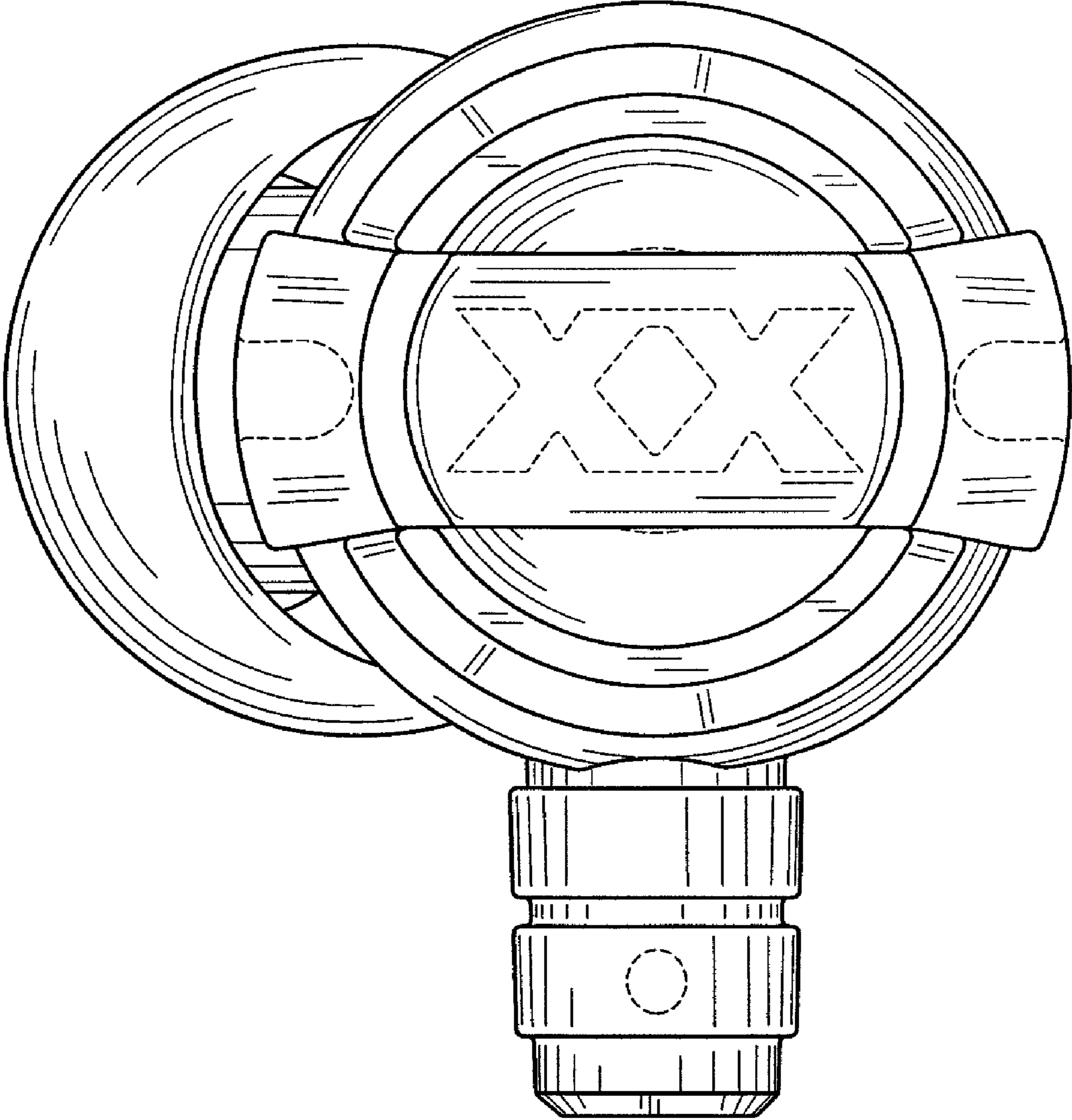


Fig.3

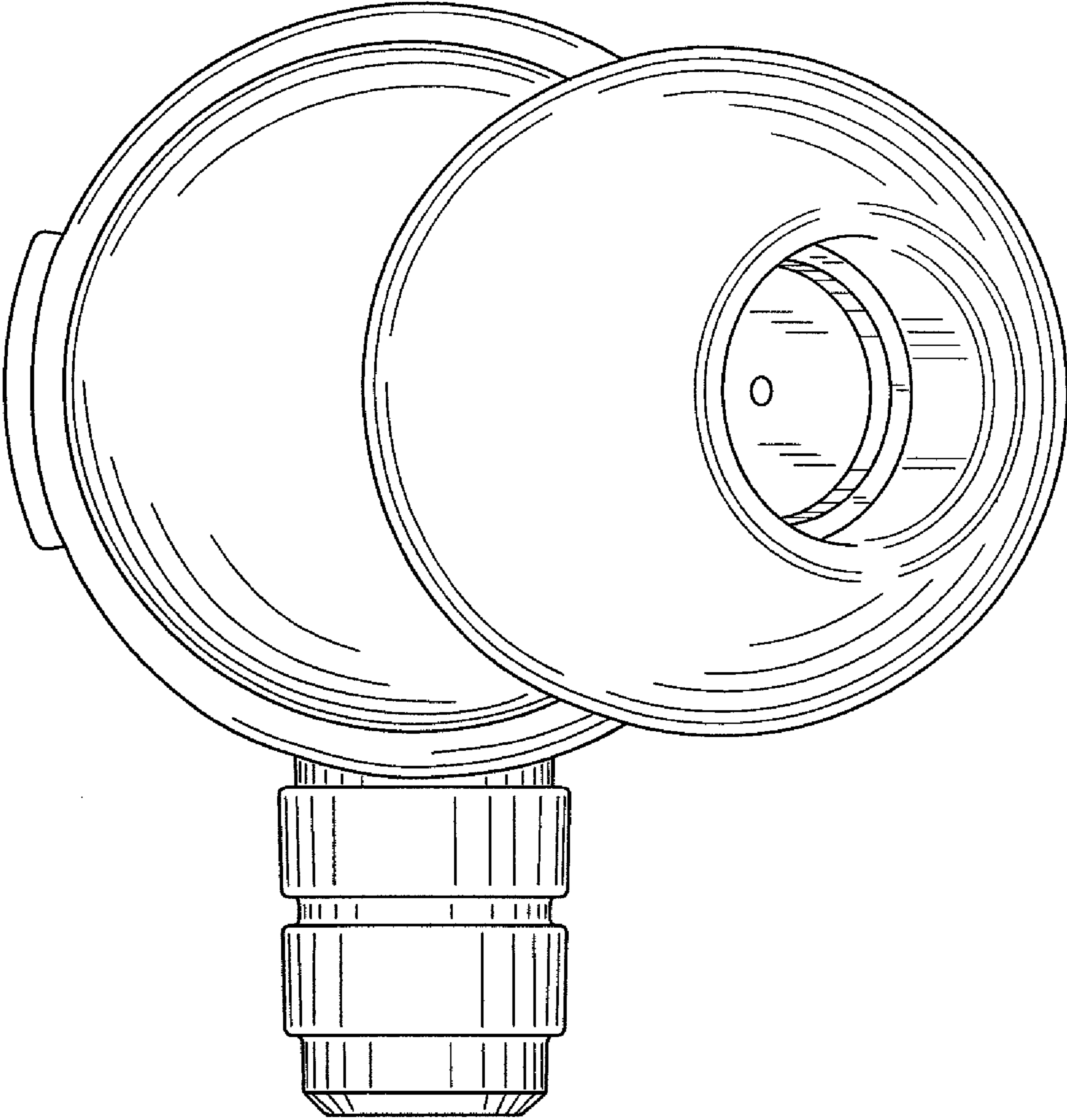


Fig.4

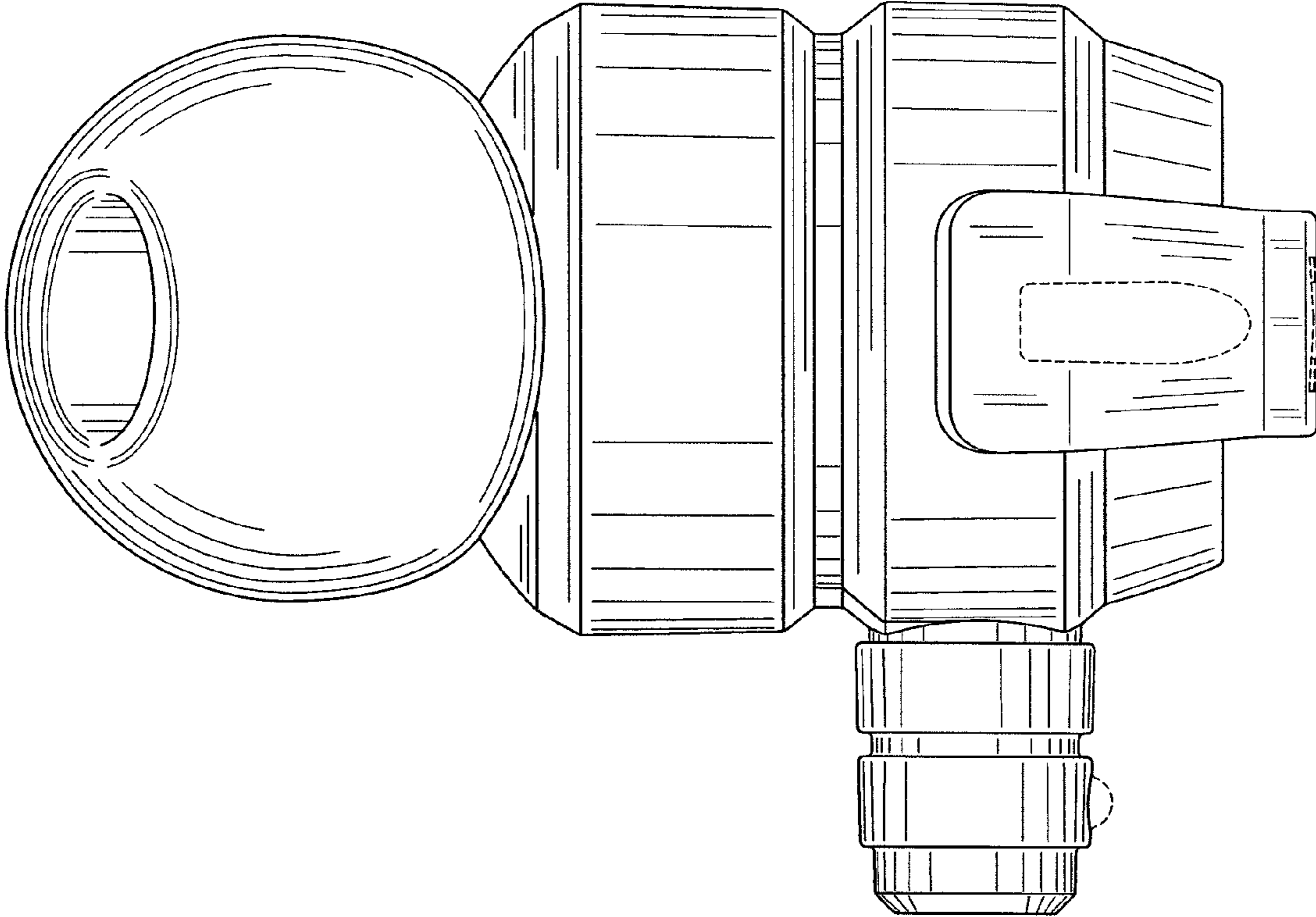


Fig.5

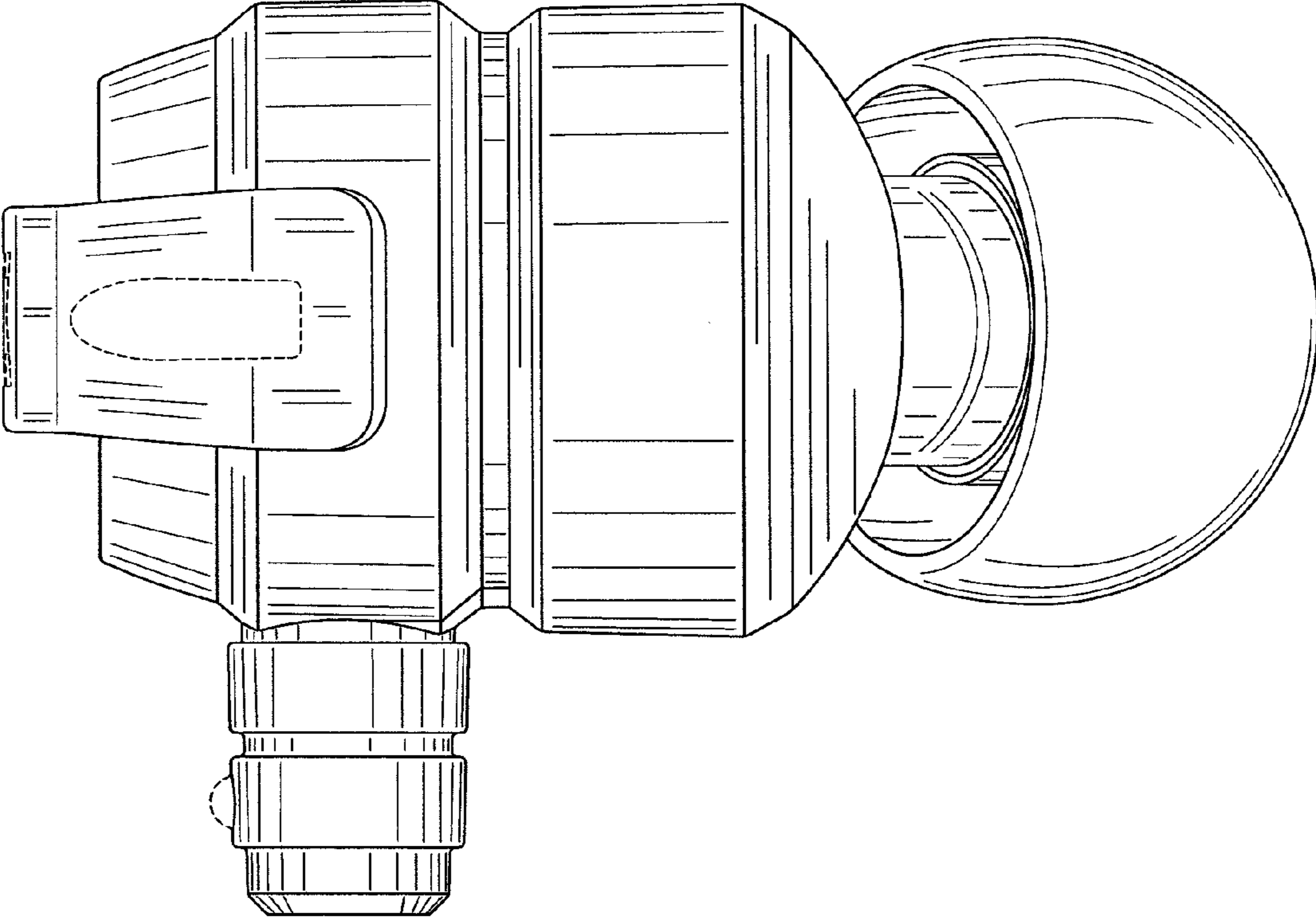


Fig.6

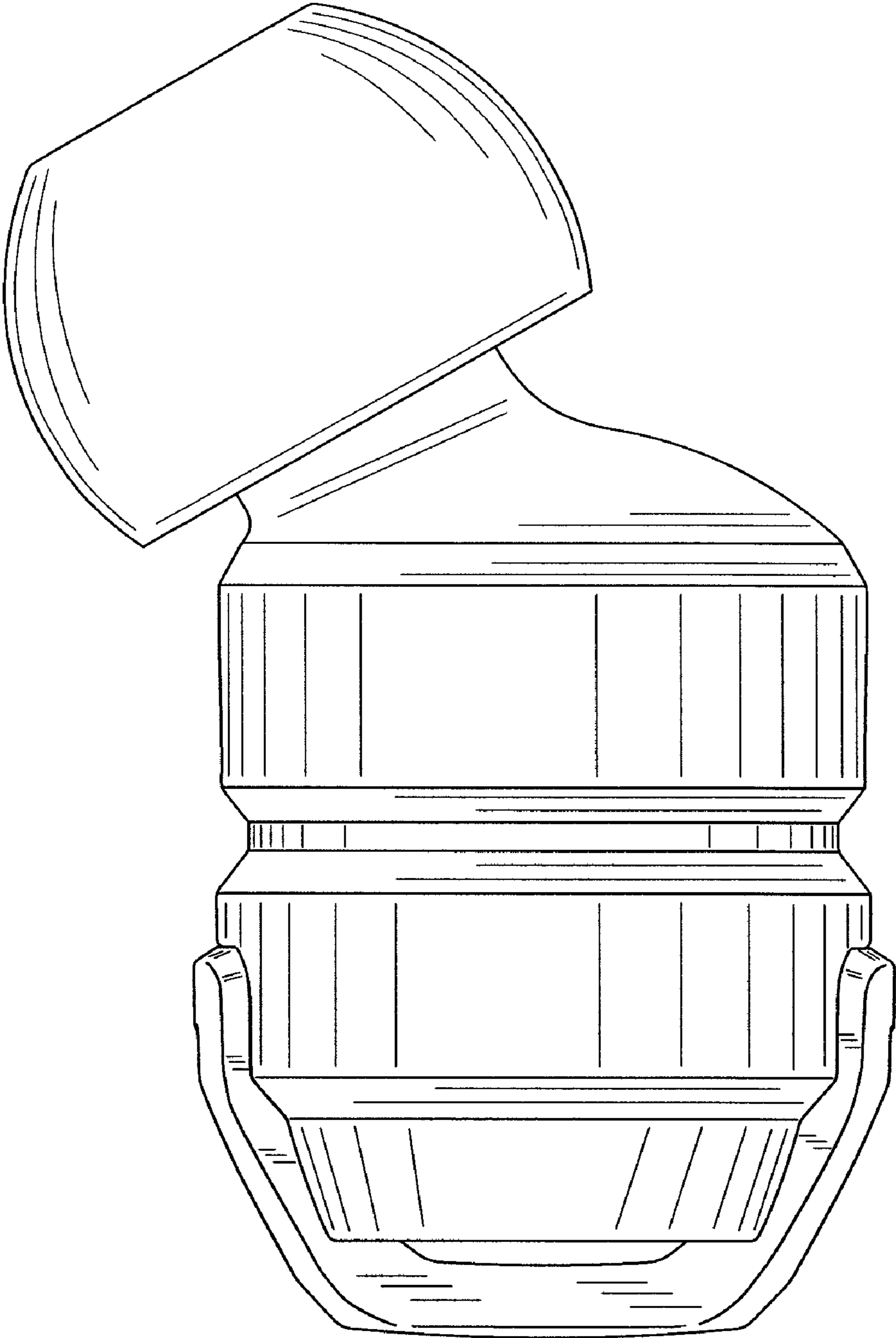


Fig. 7

