



US00D656490S

(12) **United States Design Patent**
Birger

(10) **Patent No.:** **US D656,490 S**

(45) **Date of Patent:** **** Mar. 27, 2012**

(54) **HEADSET**

(75) Inventor: **Johan Birger**, Malmö (SE)

(73) Assignee: **GN Netcom A/S** (DK)

(**) Term: **14 Years**

(21) Appl. No.: **29/382,593**

(22) Filed: **Jan. 5, 2011**

(30) **Foreign Application Priority Data**

Jul. 6, 2010 (EM) 001728148-0001

(51) **LOC (9) Cl.** **14-01**

(52) **U.S. Cl.** **D14/223**

(58) **Field of Classification Search** D14/205,
D14/206, 223; 181/129, 130, 135; 379/430,
379/431; 381/380, 381, 383, 371; 455/90.3,
455/575.2

See application file for complete search history.

(56) **References Cited**

U.S. PATENT DOCUMENTS

D550,215 S * 9/2007 Udagawa et al. D14/223

D581,396 S * 11/2008 Wikel et al. D14/206

D582,897 S *	12/2008	Christopher et al.	D14/223
D596,166 S *	7/2009	Henning	D14/223
D603,378 S *	11/2009	Paradise	D14/223
D604,722 S *	11/2009	Mistry	D14/223
D616,873 S *	6/2010	Olivier	D14/223
D618,221 S *	6/2010	Fahrendorff et al.	D14/223
D625,713 S *	10/2010	Yang	D14/223
D636,381 S *	4/2011	Liner	D14/223
D640,242 S *	6/2011	Fahrendorff et al.	D14/223
D641,739 S *	7/2011	Huang	D14/223
D643,420 S *	8/2011	Huang	D14/223

* cited by examiner

Primary Examiner — Paula Greene

(74) *Attorney, Agent, or Firm* — Altera Law Group, LLC

(57) **CLAIM**

The ornamental design for a headset, as shown and described.

DESCRIPTION

FIG. 1 is a side view of the headset.

FIG. 2 is the other side view thereof.

FIG. 3 is a bottom view thereof.

FIG. 4 is the top side view thereof.

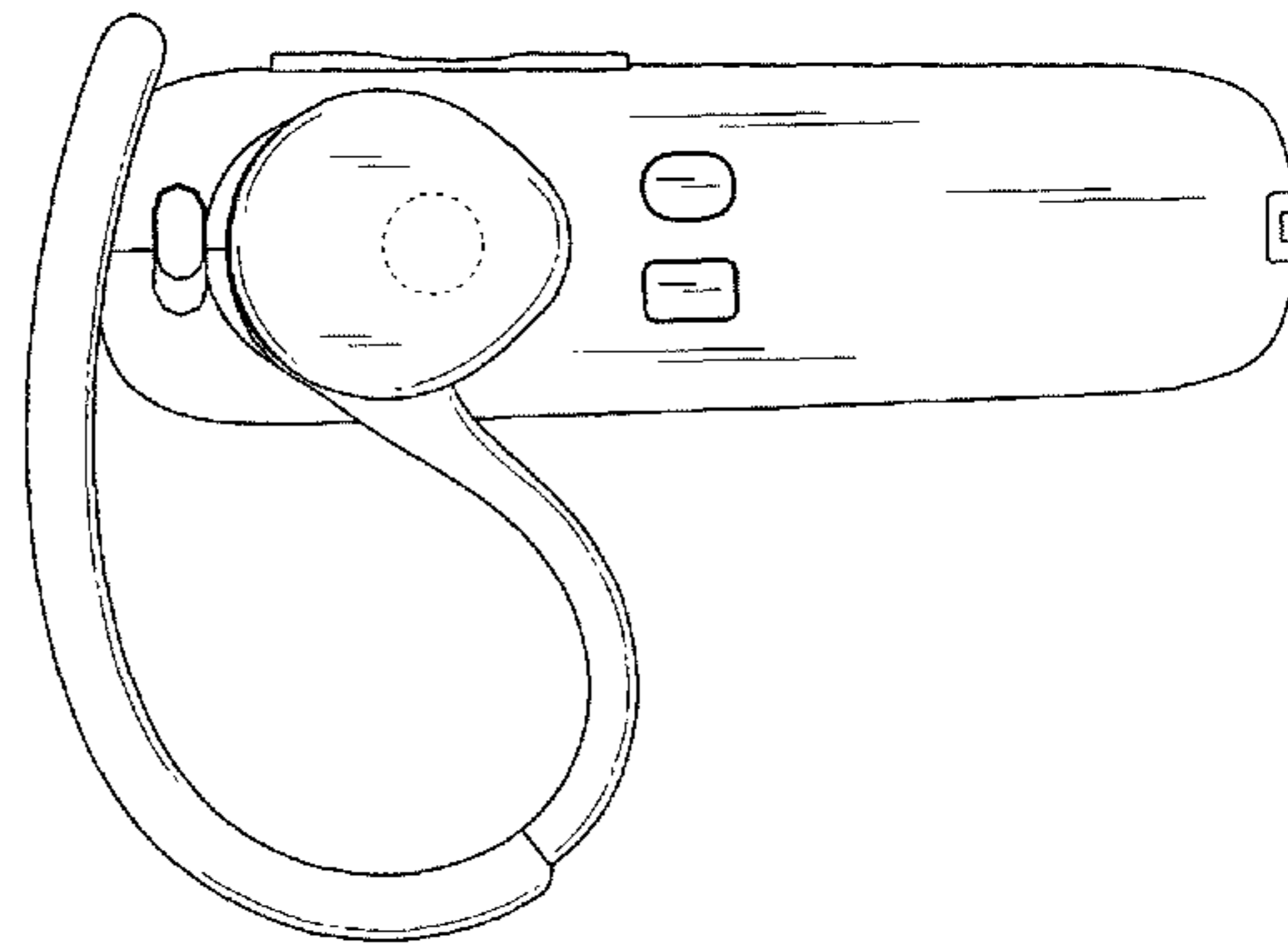
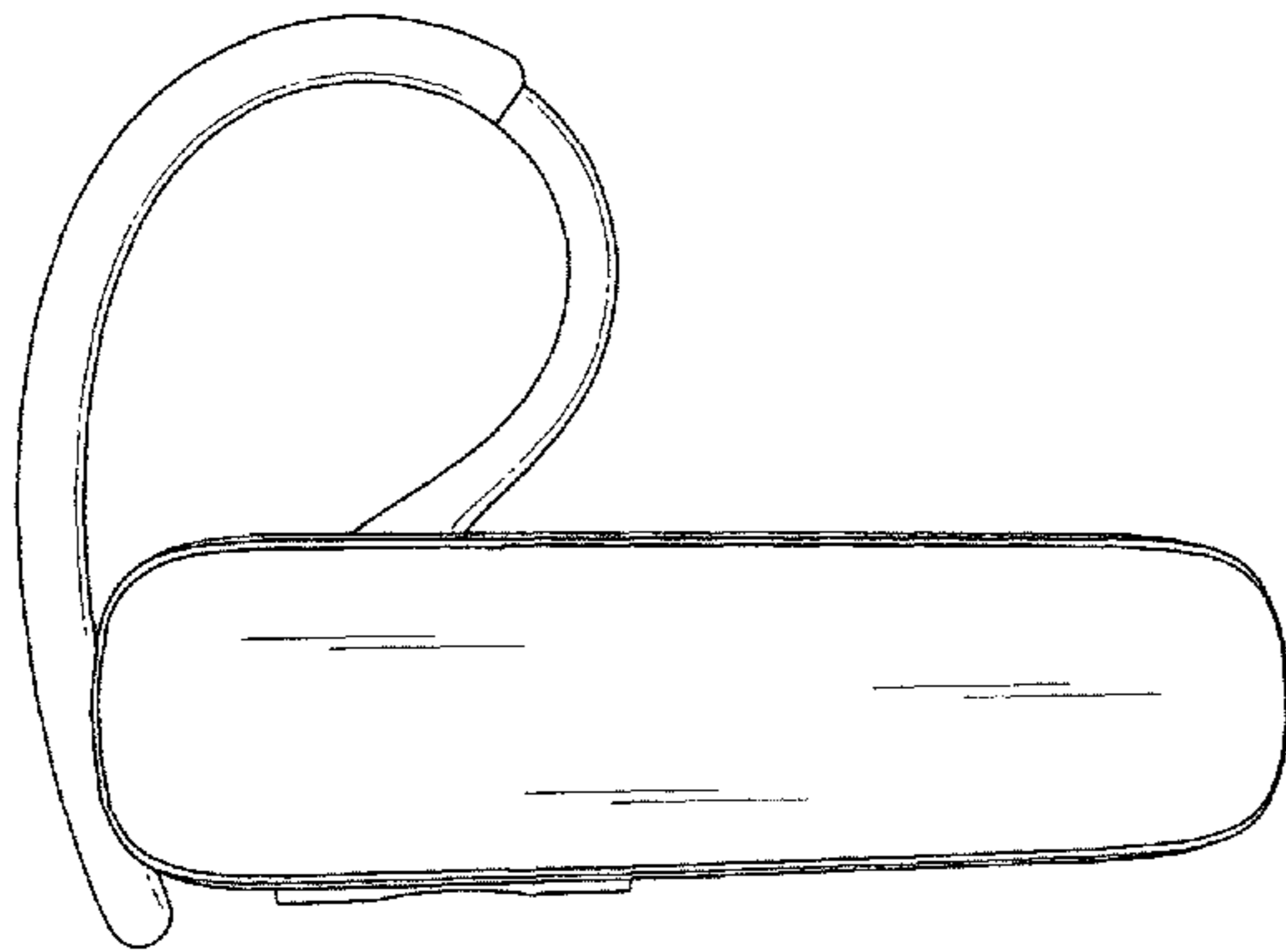
FIG. 5 is a side perspective view thereof.

FIG. 6 is a end view thereof; and,

FIG. 7 is a other end view thereof.

The broken lines form no part of the claimed design.

1 Claim, 4 Drawing Sheets



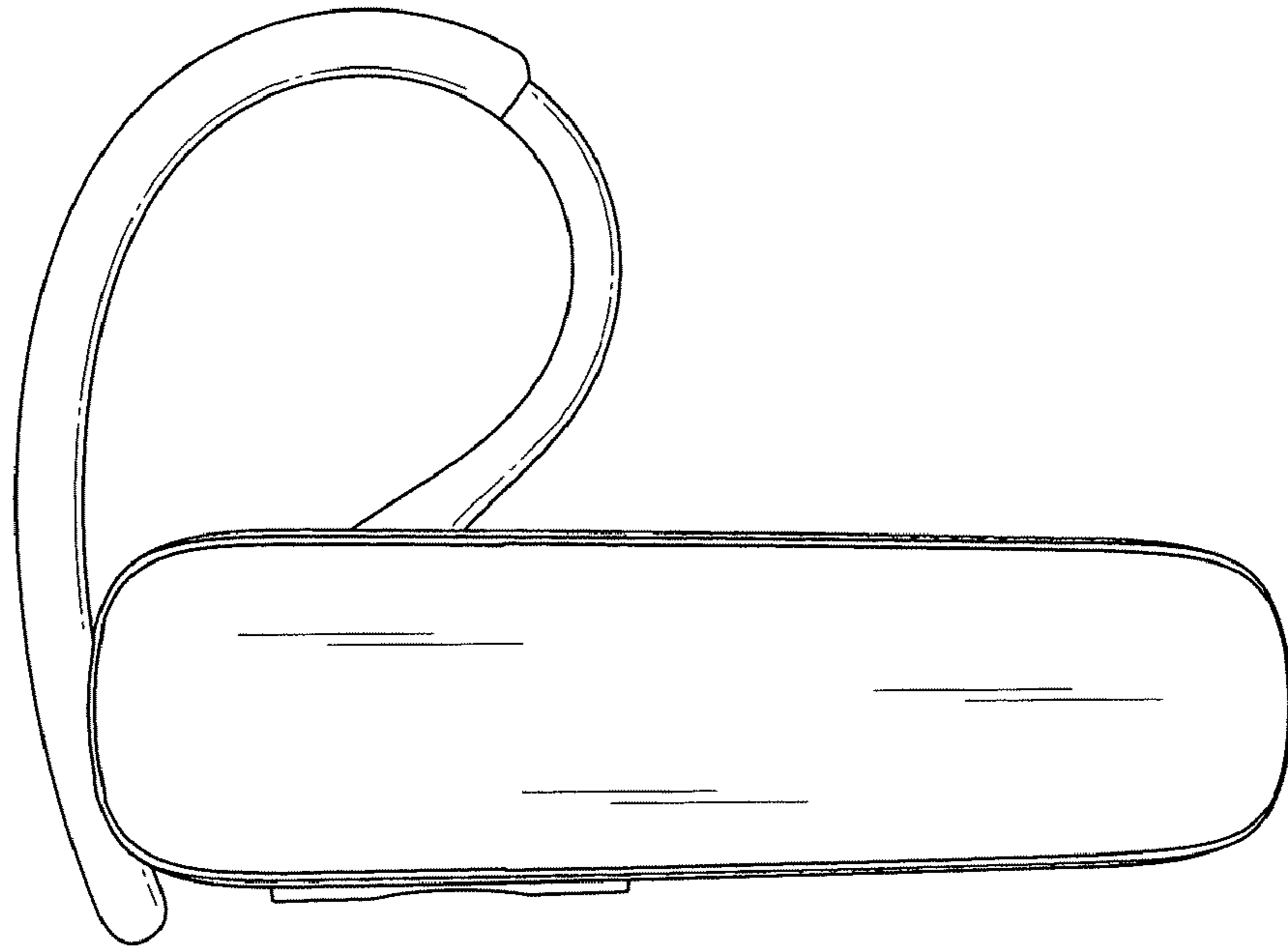


Fig. 1

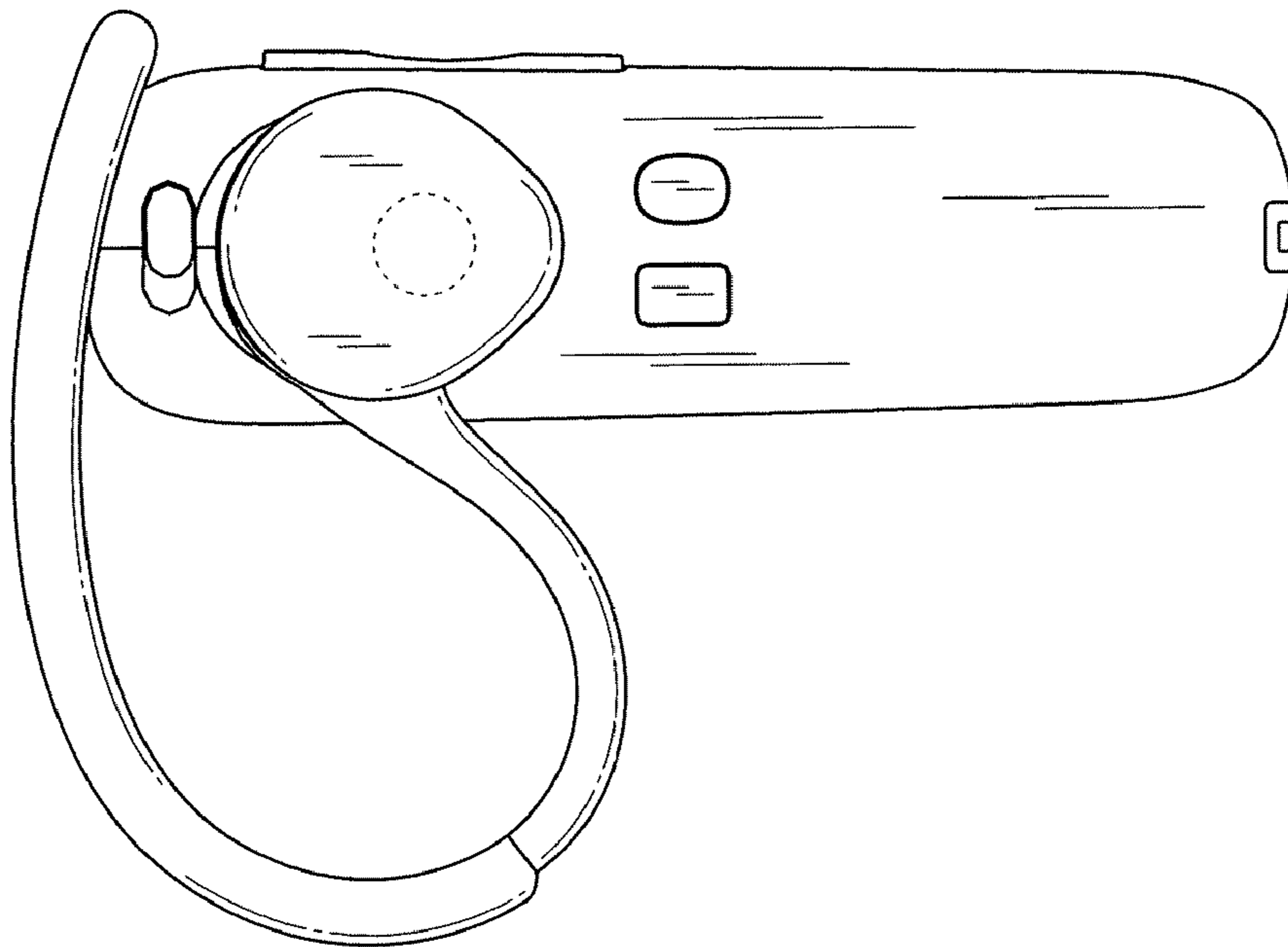


Fig. 2

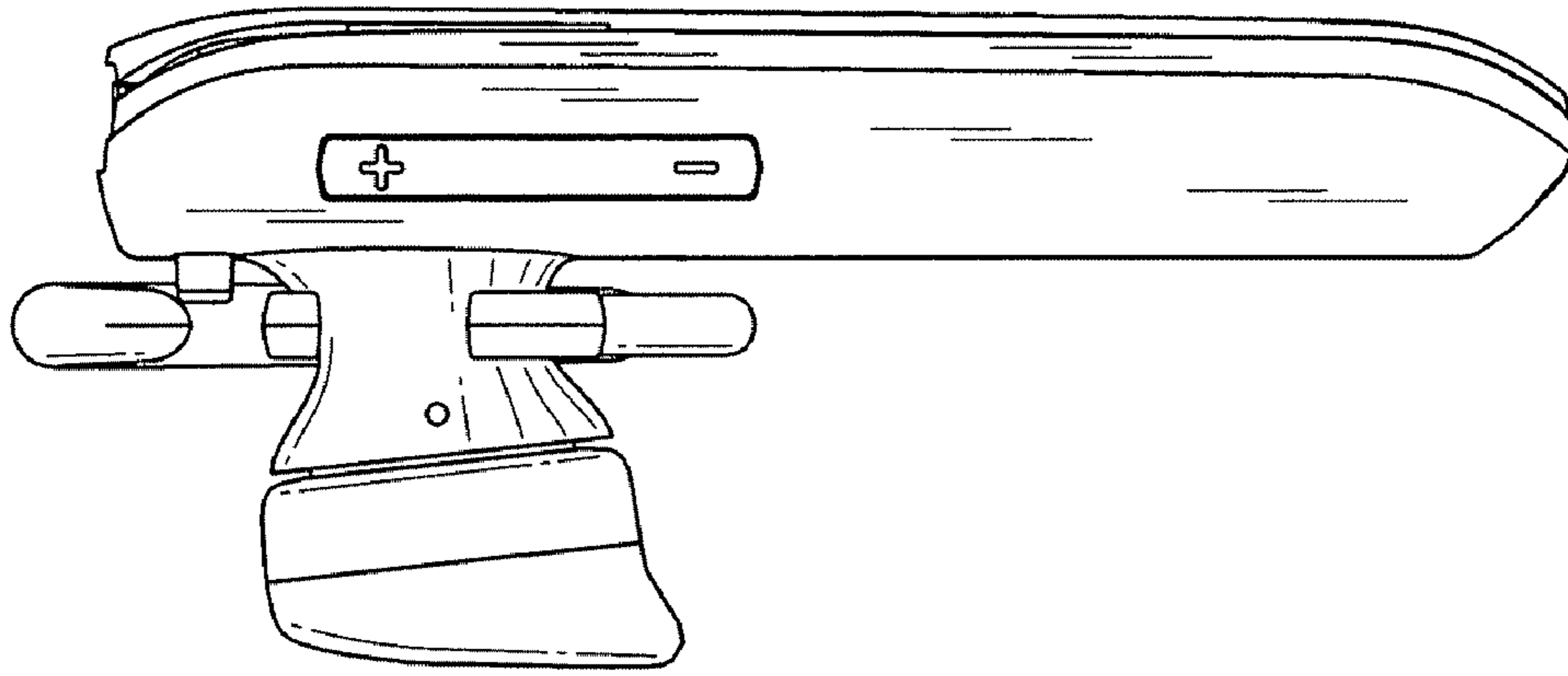


Fig. 3

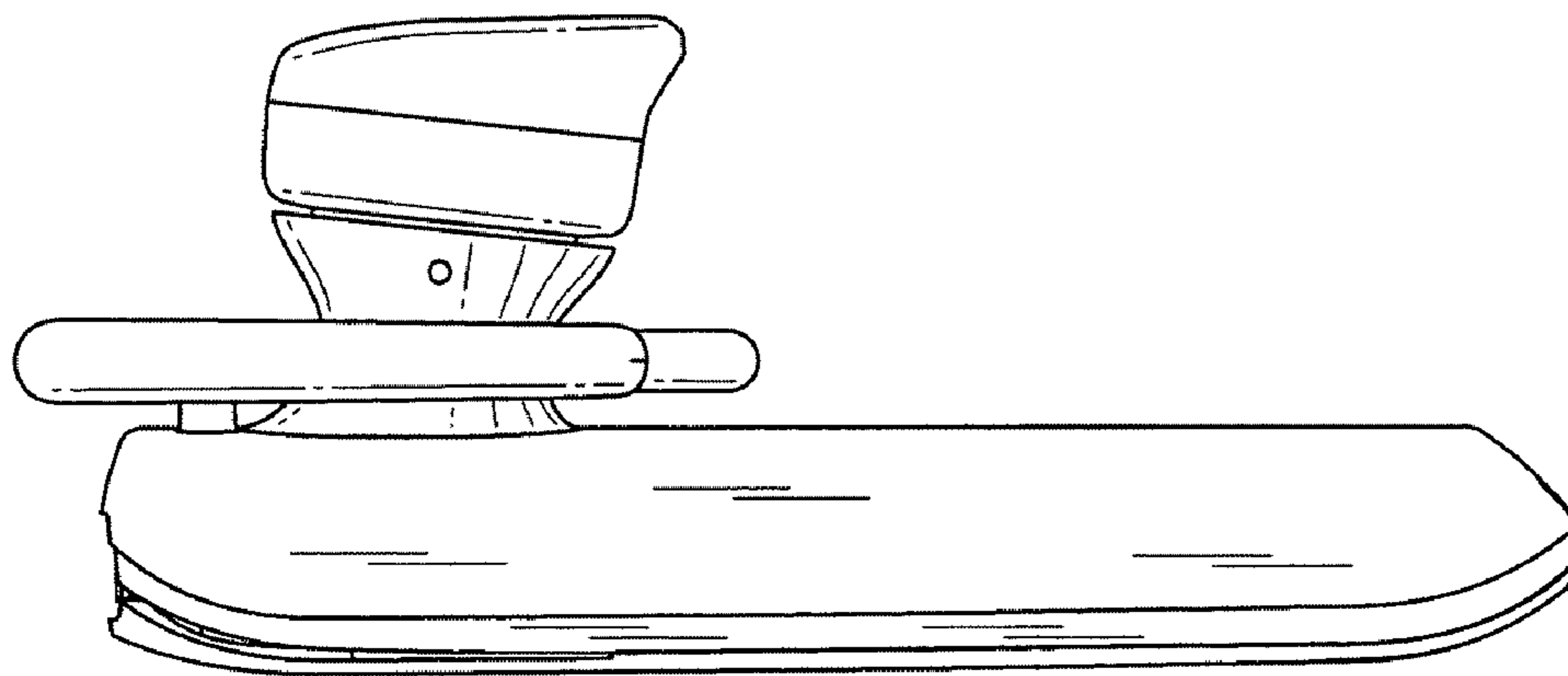


Fig. 4

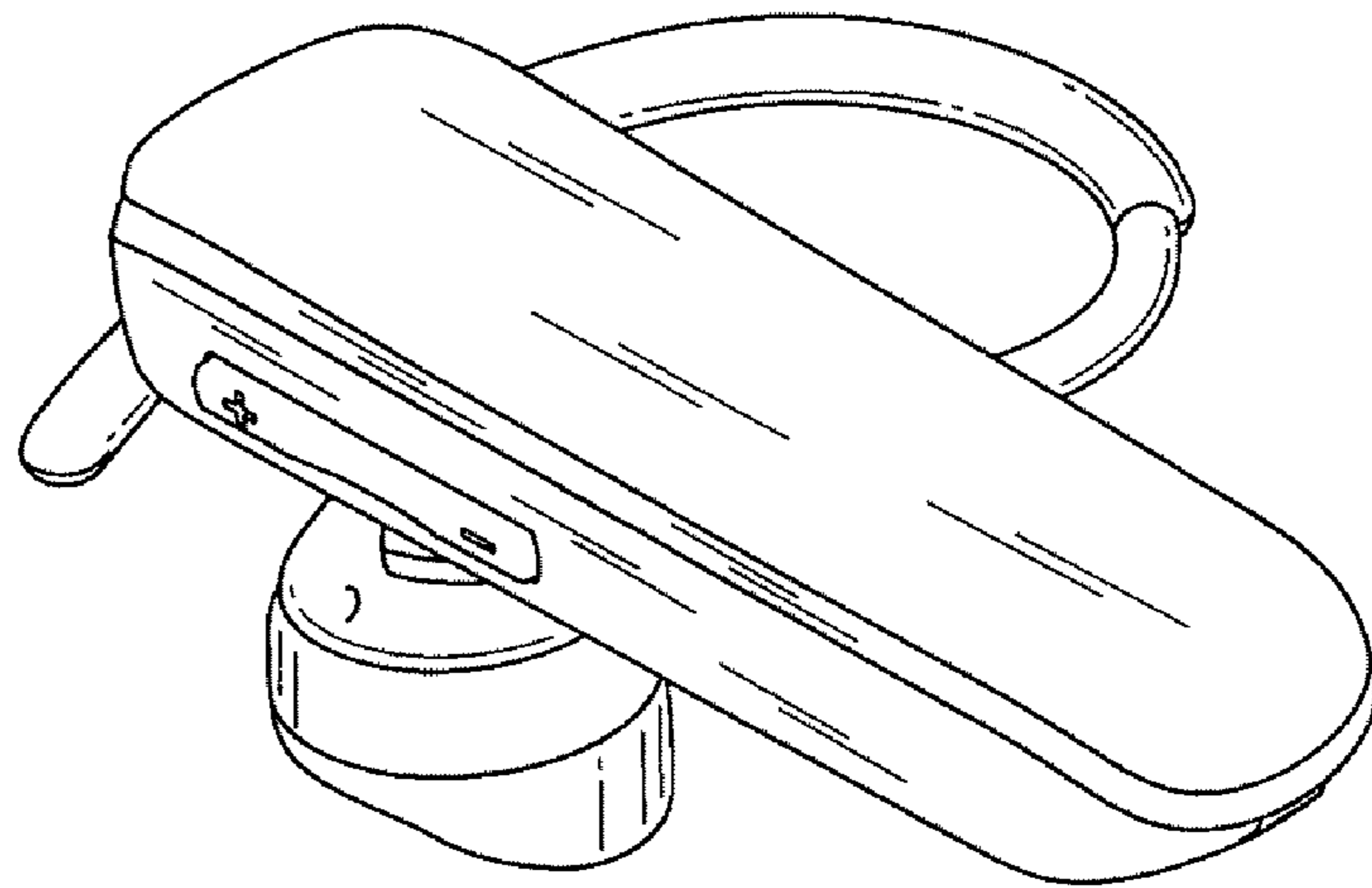


Fig. 5

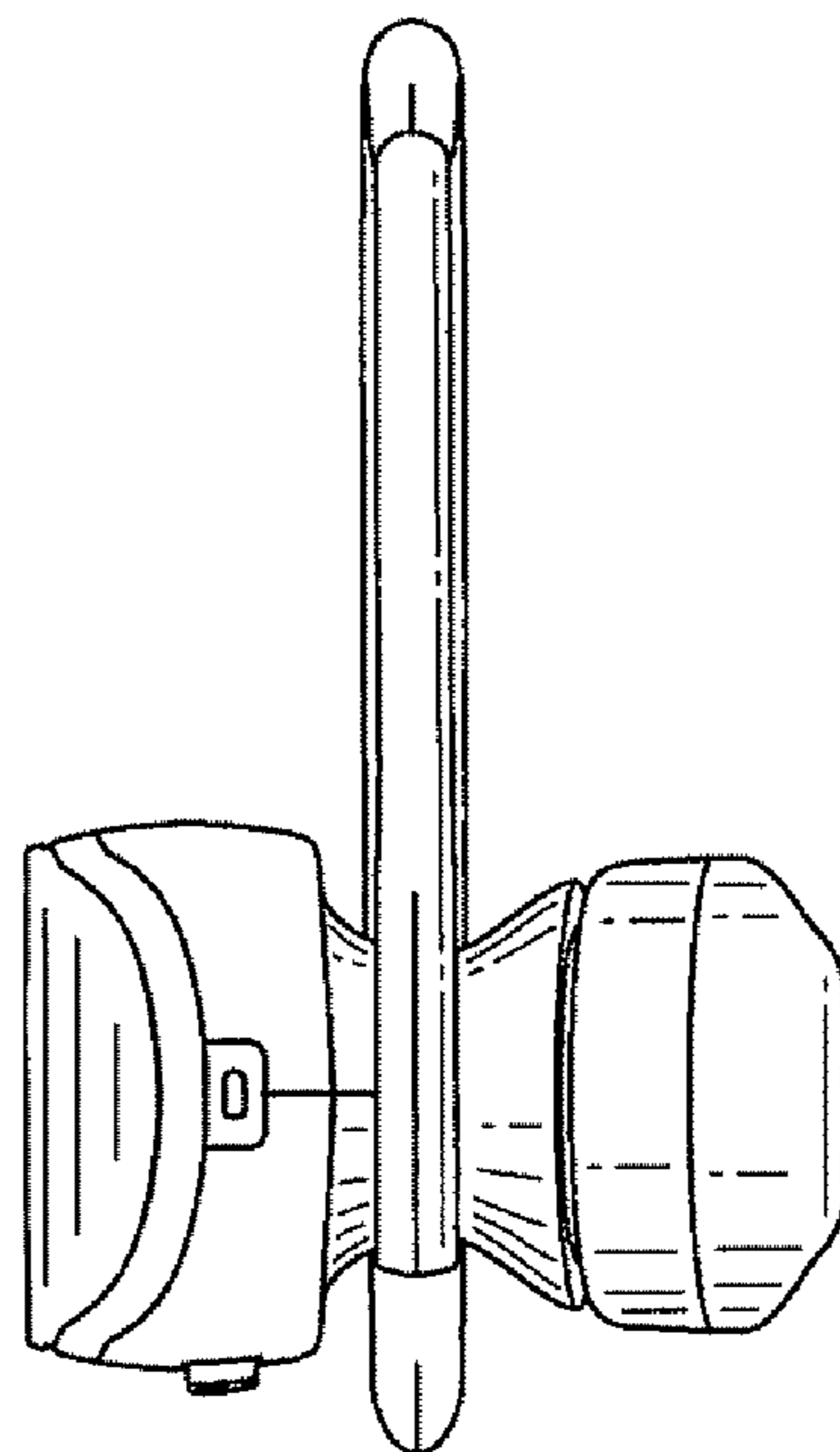


Fig. 6

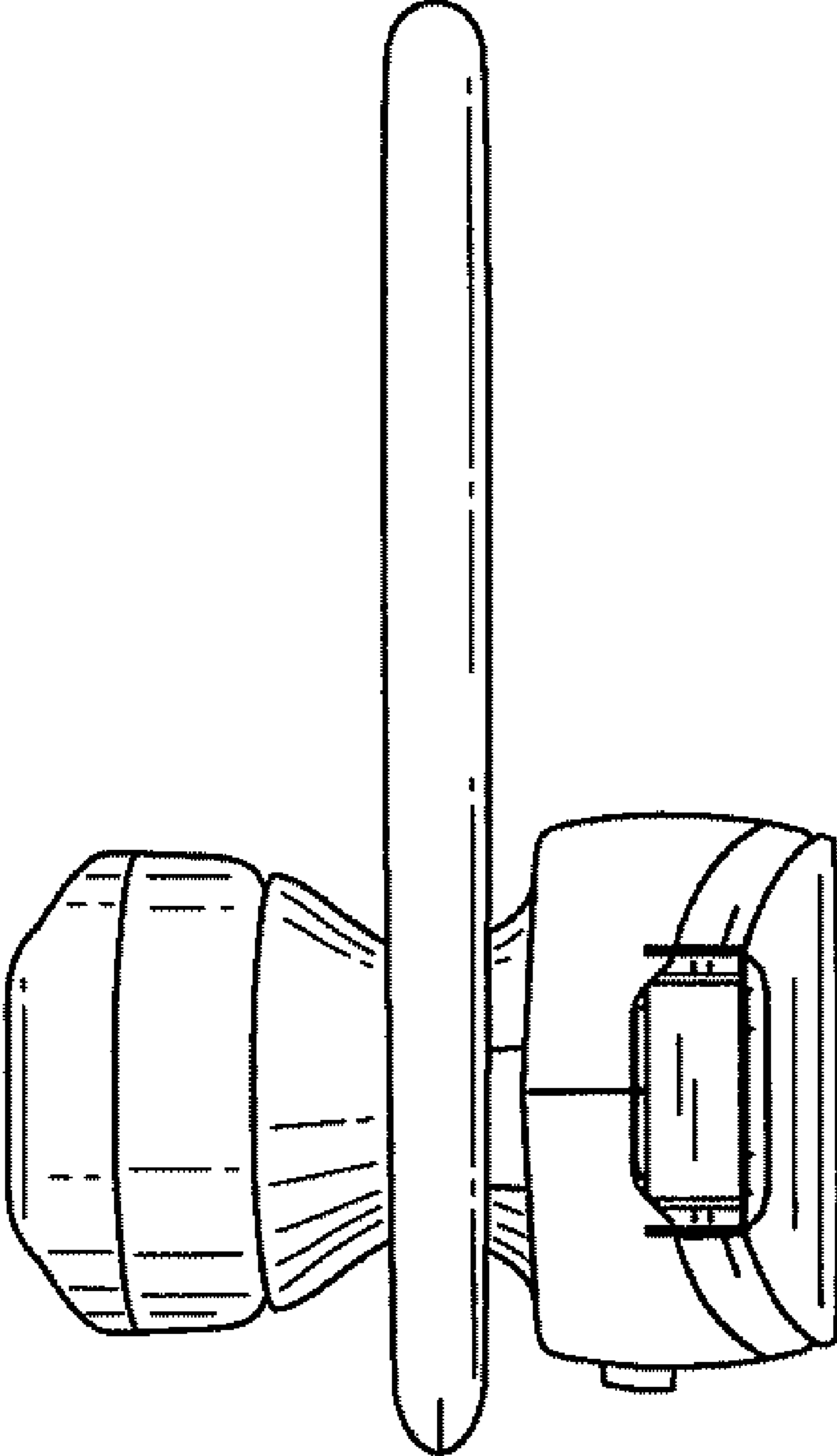


Fig. 7