

US00D656489S

(12) **United States Design Patent**
Kumagai et al.

(10) **Patent No.:** **US D656,489 S**
(45) **Date of Patent:** **** Mar. 27, 2012**

(54) **EARPHONE**

(75) Inventors: **Yoshiaki Kumagai**, Tokyo (JP); **Qi Zheng**, Tokyo (JP)

(73) Assignee: **Sony Corporation**, Tokyo (JP)

(**) Term: **14 Years**

(21) Appl. No.: **29/371,441**

(22) Filed: **Feb. 28, 2011**

Related U.S. Application Data

(63) Continuation-in-part of application No. 29/347,709, filed on Apr. 16, 2010, now Pat. No. Des. 635,558.

(30) **Foreign Application Priority Data**

Mar. 5, 2010 (JP) D2010-005310
Mar. 5, 2010 (JP) D2010-005311
Aug. 31, 2010 (JP) D2010-021065
Aug. 31, 2010 (JP) D2010-021066
Sep. 3, 2010 (JP) D2010-021426

(51) **LOC (9) Cl.** **14-01**

(52) **U.S. Cl.** **D14/223**

(58) **Field of Classification Search** D14/205, D14/206, 223; 181/129, 130, 135; 379/430, 379/431; 381/380, 381, 322, 328; 455/90.3, 455/575.1; D13/171, 174; D16/202, 219, D16/212, 134, 136; D21/385, 386, 390, D21/484; D17/20, 99; D28/56, 57, 62
See application file for complete search history.

(56) **References Cited**

U.S. PATENT DOCUMENTS

4,891,276 A * 1/1990 Exner 428/670
D357,921 S 5/1995 Ming-Chin
D402,661 S 12/1998 Hayashi
D431,553 S 10/2000 Suzuki
D449,330 S * 10/2001 Suzuki et al. D16/219
D451,527 S * 12/2001 Suzuki et al. D16/219
D472,913 S * 4/2003 Rupe D16/202
D474,171 S 5/2003 Suzuki

D485,548 S 1/2004 Obata
D487,077 S 2/2004 Obata
D502,202 S * 2/2005 Mitsuse D16/219
D539,268 S 3/2007 Suzuki
D554,627 S * 11/2007 Gondo D14/223
D566,099 S 4/2008 Komiyama
D572,703 S * 7/2008 Ledbetter et al. D14/205

(Continued)

FOREIGN PATENT DOCUMENTS

JP D1324695 S 3/2008

(Continued)

OTHER PUBLICATIONS

Web page, "always listening, audio-technica", <http://www.audio-technica.co.jp/products/hp/athckm55.html>, 3 pages, Audio Technica Co., Ltd., Mar. 11, 2010.

Primary Examiner — Paula Greene

(74) *Attorney, Agent, or Firm* — Rader, Fishman & Grauer PLLC

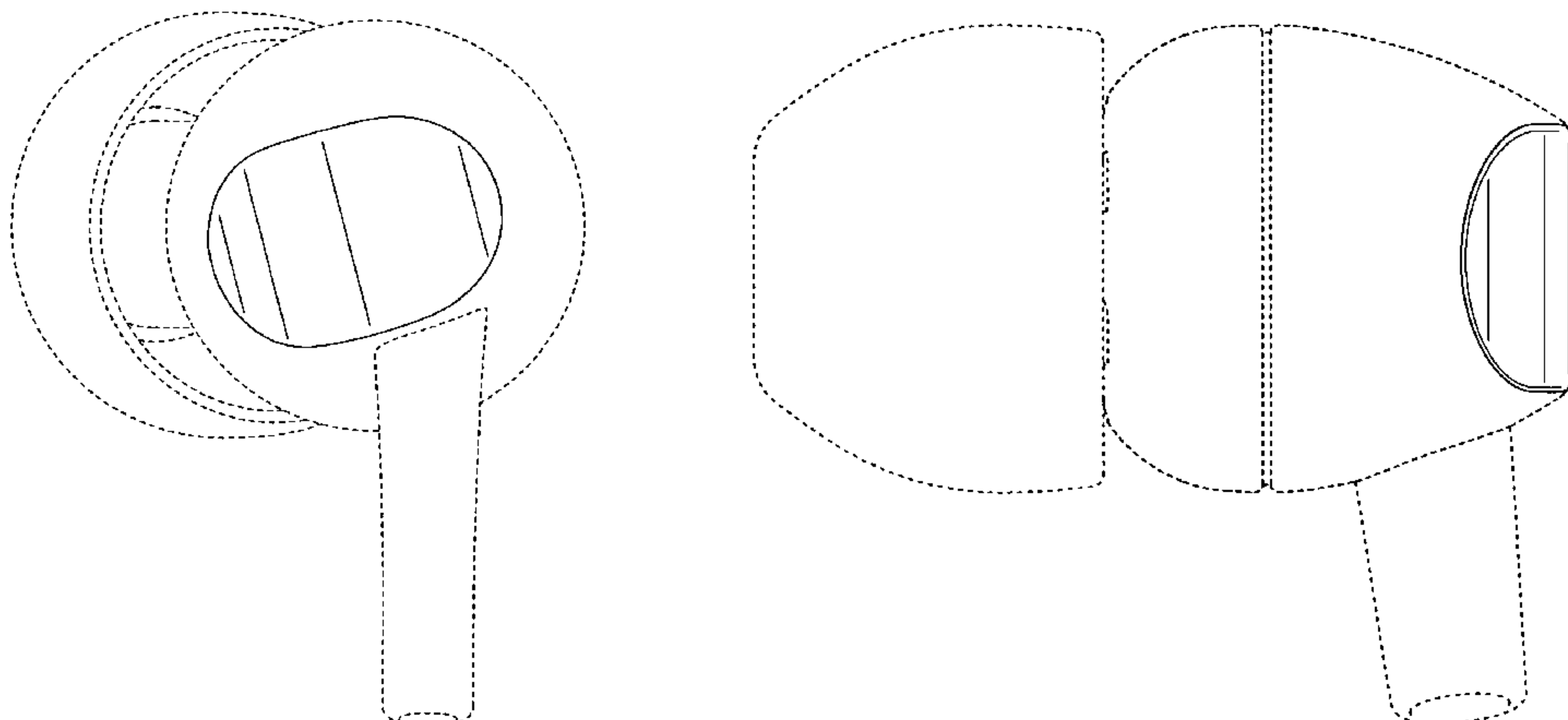
(57) **CLAIM**

The ornamental design for an earphone, as shown and described.

DESCRIPTION

FIG. 1 is a perspective view of an earphone showing our new design;
FIG. 2 is a rear elevational view thereof;
FIG. 3 is a left side elevational view thereof;
FIG. 4 is a right side elevational view thereof;
FIG. 5 is a top plan view thereof; and
FIG. 6 is a bottom plan view thereof.
FIG. 7 is a perspective view of a second embodiment of an earphone showing our new design;
FIG. 8 is a front elevational view thereof;
FIG. 9 is a rear elevational view thereof;
FIG. 10 is a right side elevational view thereof;
FIG. 11 is a top plan view thereof; and
FIG. 12 is a bottom plan view thereof.
Portions in broken lines are for illustrative purposes only and form no part of claimed design.

1 Claim, 6 Drawing Sheets



US D656,489 S

Page 2

U.S. PATENT DOCUMENTS

D579,005 S 10/2008 Wilhelmsen
D584,293 S * 1/2009 Kim et al. D14/223
D586,332 S 2/2009 Ewert et al.
D587,249 S 2/2009 Densho
D587,681 S * 3/2009 Yanai D14/205
D587,685 S 3/2009 Densho
D589,493 S 3/2009 Densho
D590,375 S * 4/2009 Komiyama D14/223
D594,441 S * 6/2009 Lee et al. D14/205
D598,431 S 8/2009 Densho
D599,778 S * 9/2009 Ando D14/205
D599,779 S * 9/2009 Ando D14/205
D601,548 S * 10/2009 Morisawa D14/223
D602,004 S * 10/2009 Matsuoka D14/223

D604,272 S 11/2009 Kitayama
D616,874 S * 6/2010 Matsuoka D14/223
D618,211 S * 6/2010 Oguro et al. D14/205
D623,171 S * 9/2010 Chen et al. D14/223
D626,117 S * 10/2010 Lowry D14/223
D626,948 S * 11/2010 Nault D14/223
D627,763 S * 11/2010 Carsey D14/218
D628,193 S 11/2010 Zheng
D635,558 S * 4/2011 Zheng D14/223

FOREIGN PATENT DOCUMENTS

JP D1324696 S 3/2008
JP D1379169 S 2/2010

* cited by examiner

FIG.1

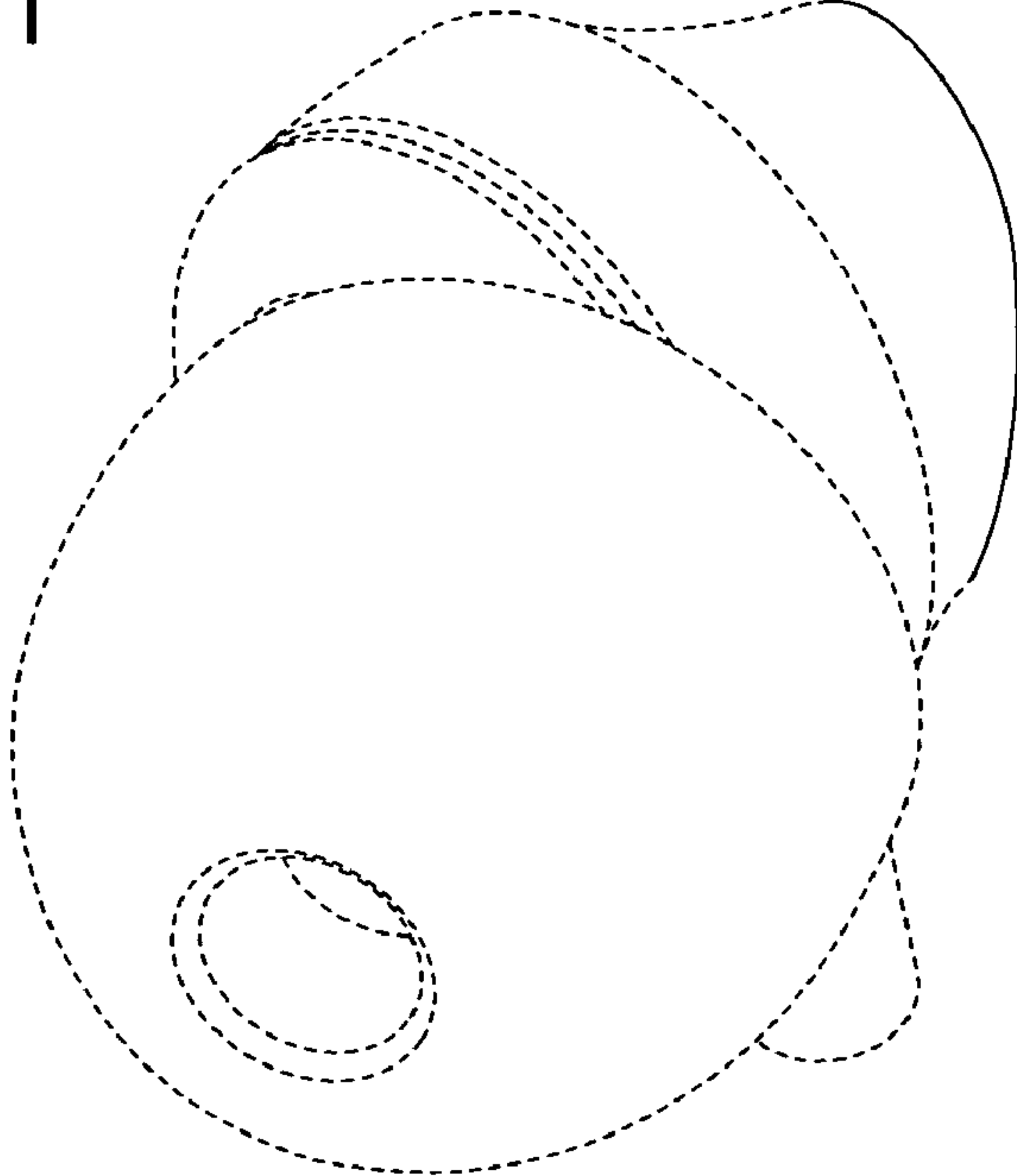


FIG.2

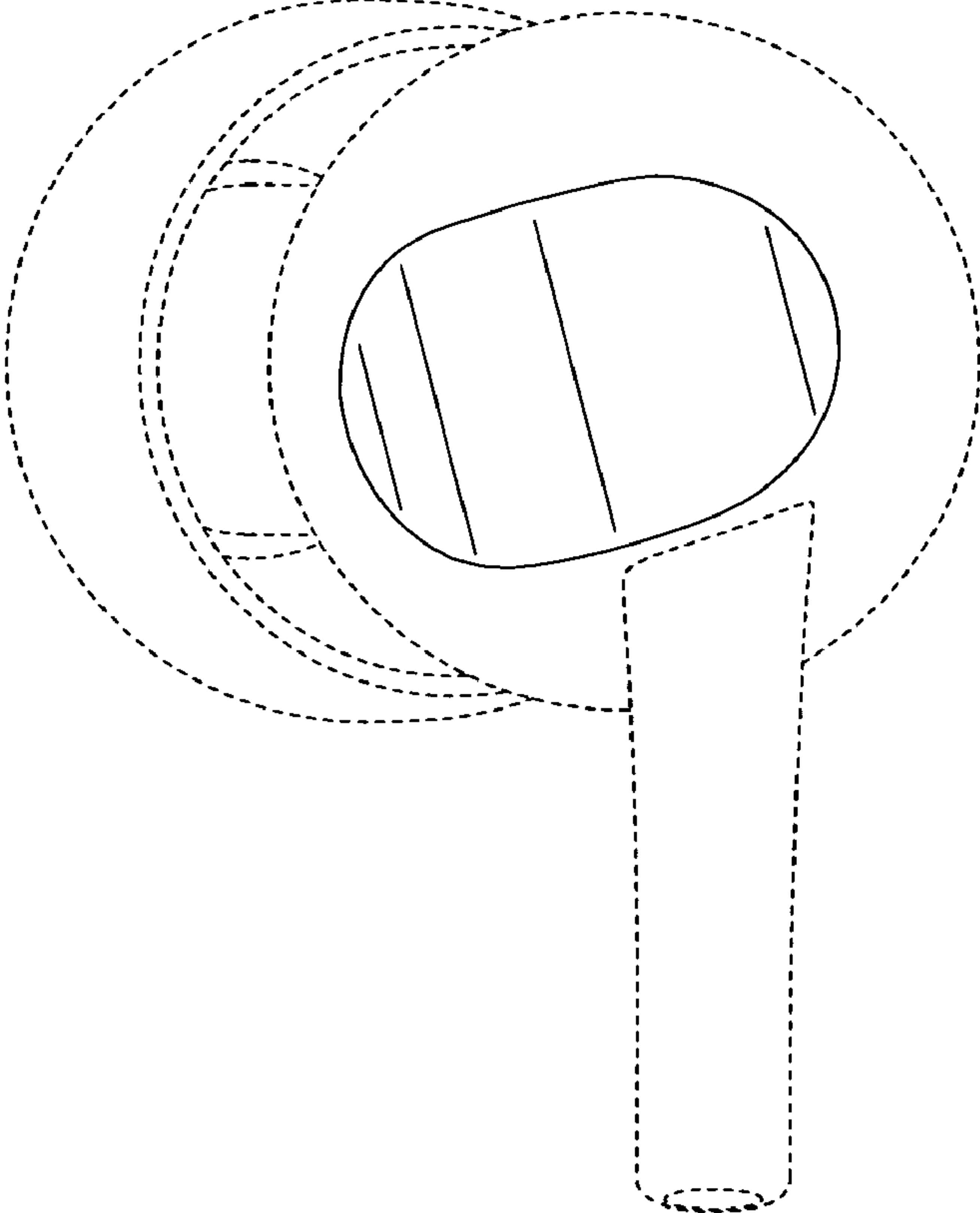


FIG.3

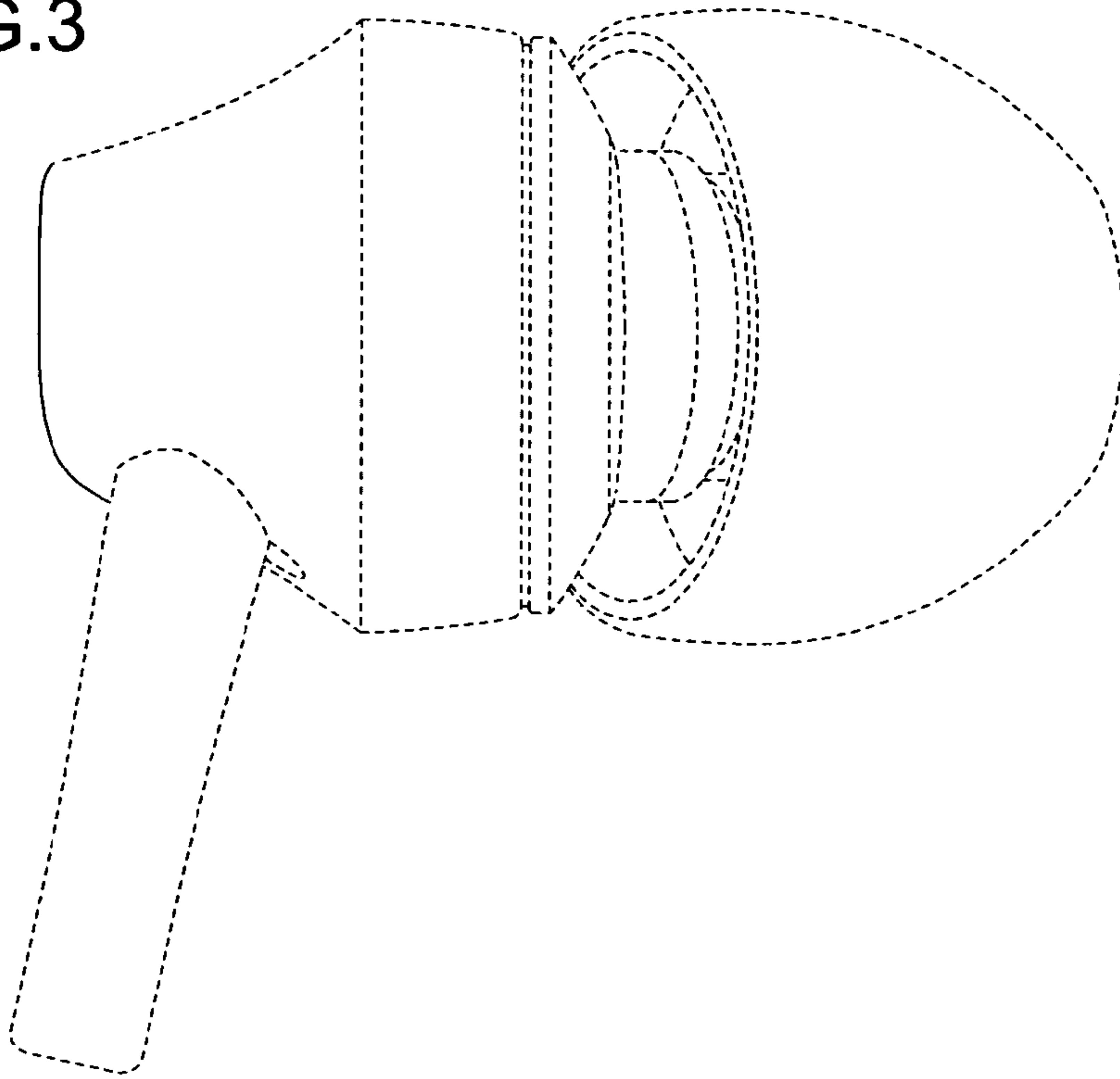


FIG.4

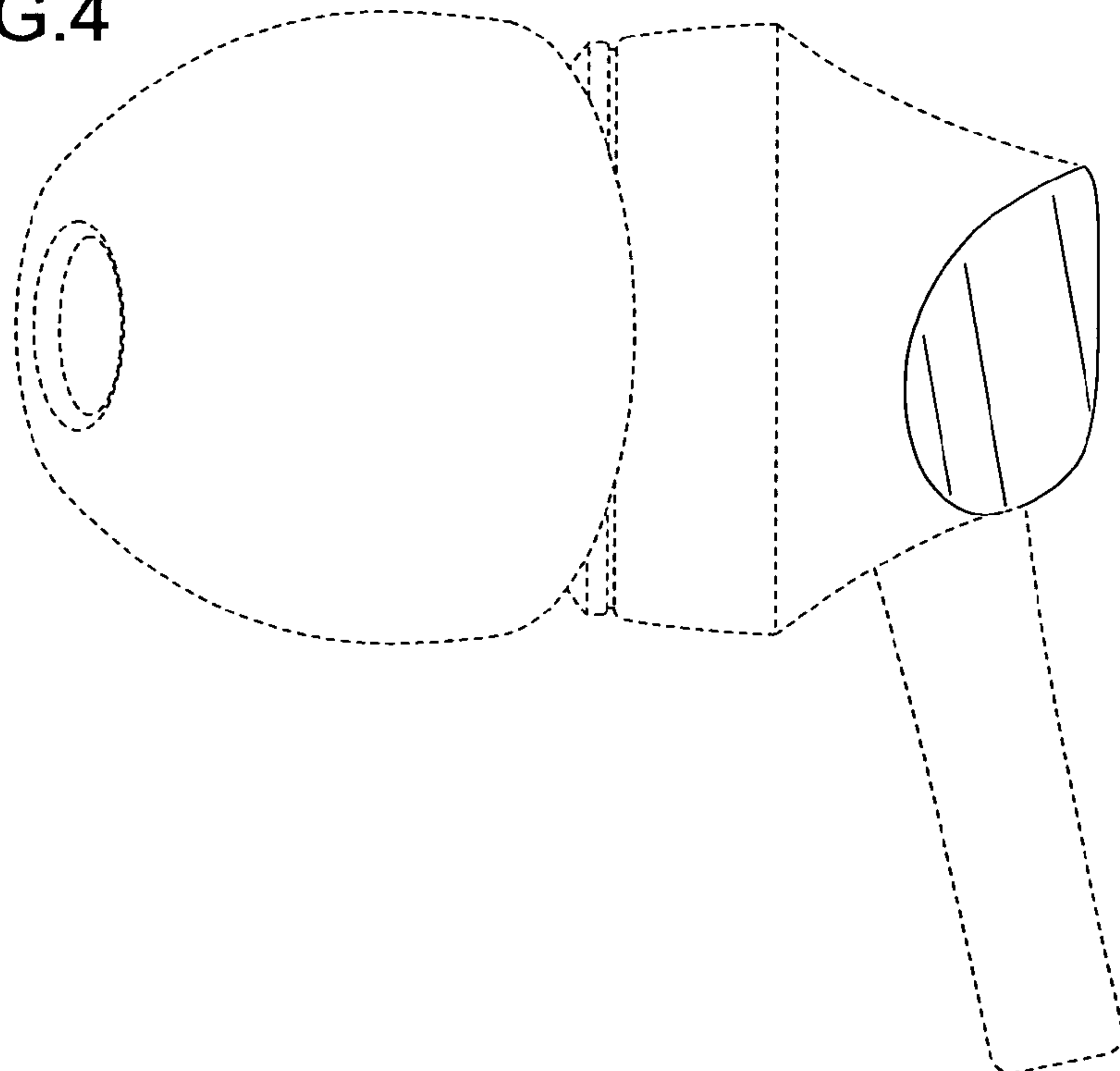


FIG.5

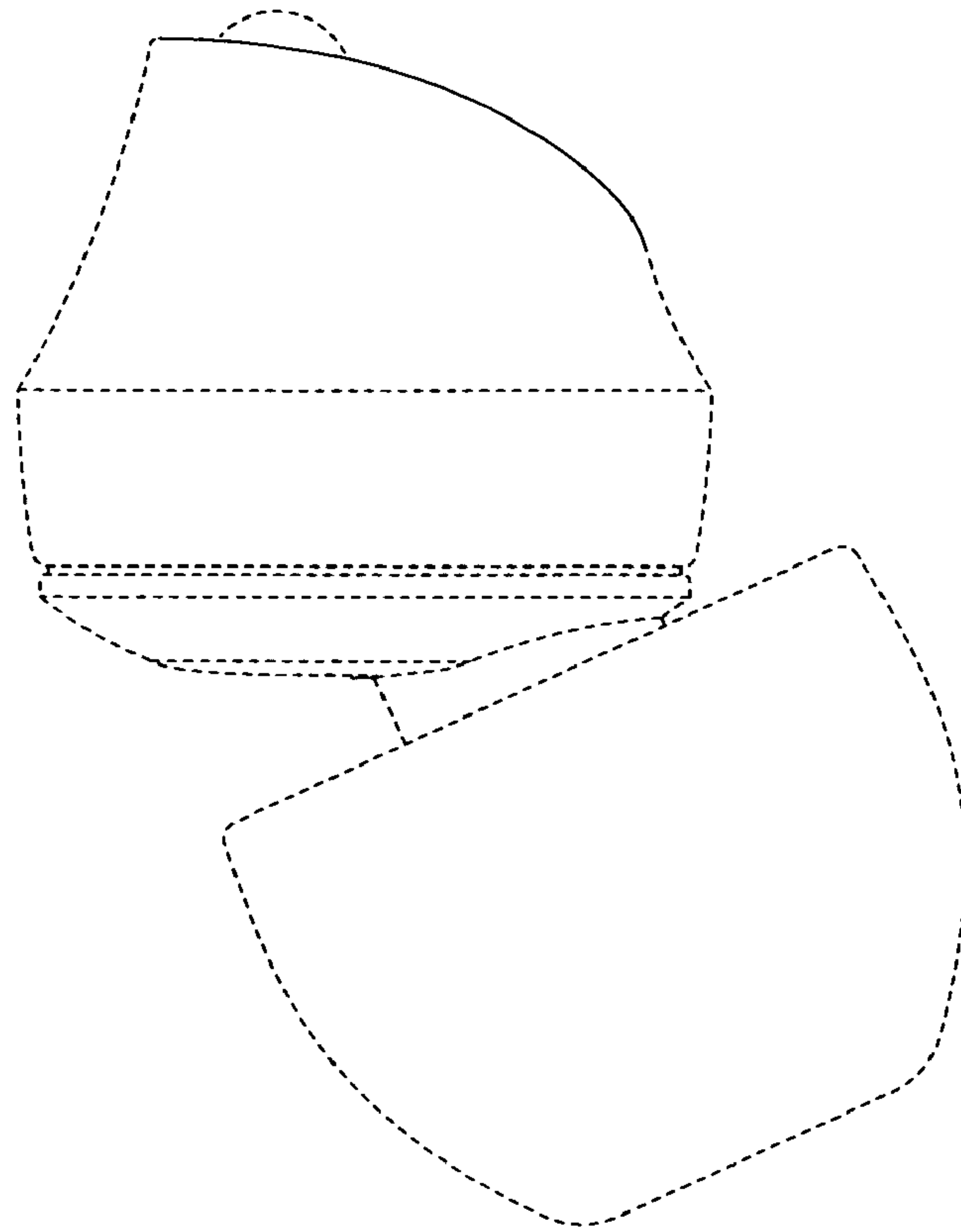


FIG.6

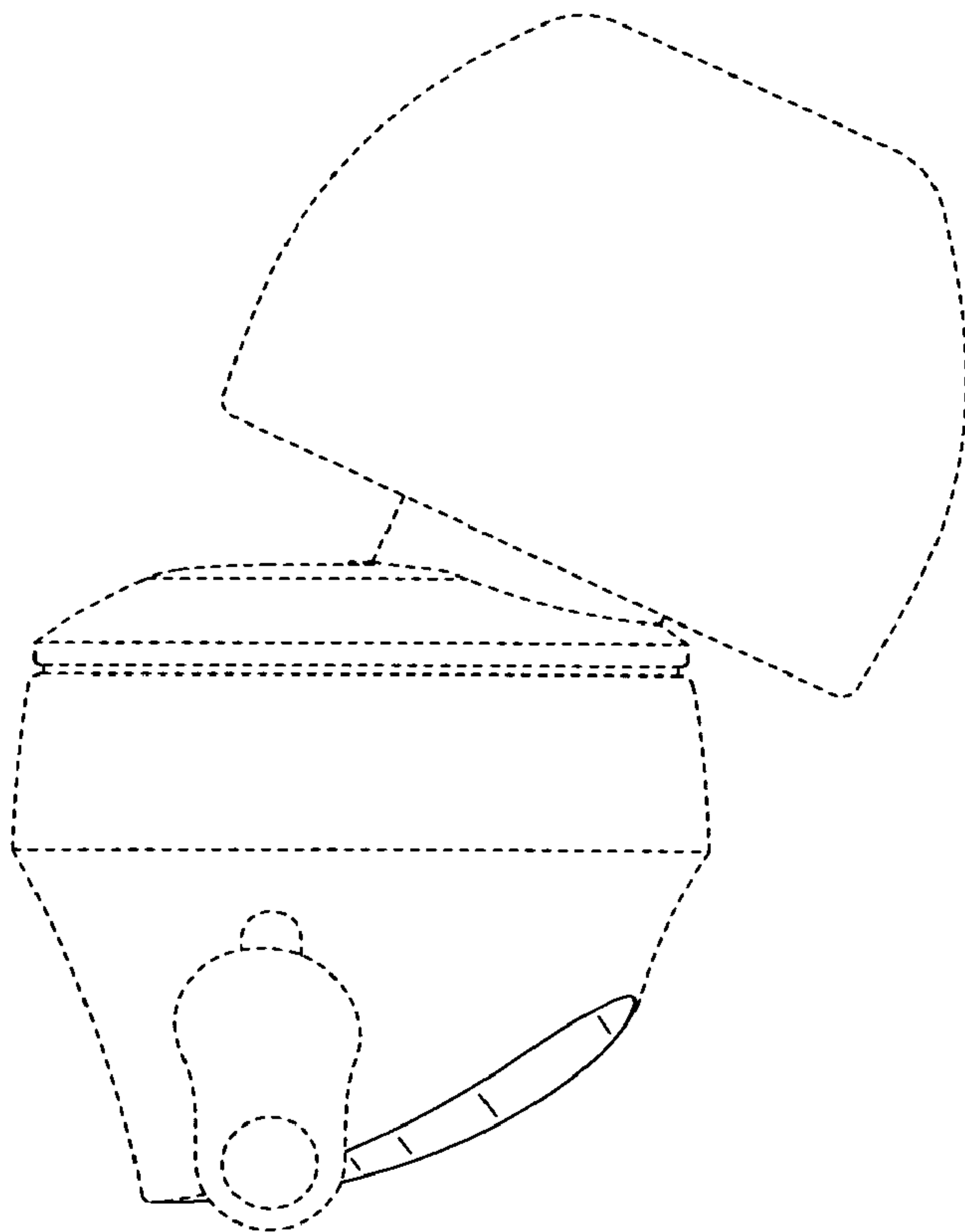


FIG.7

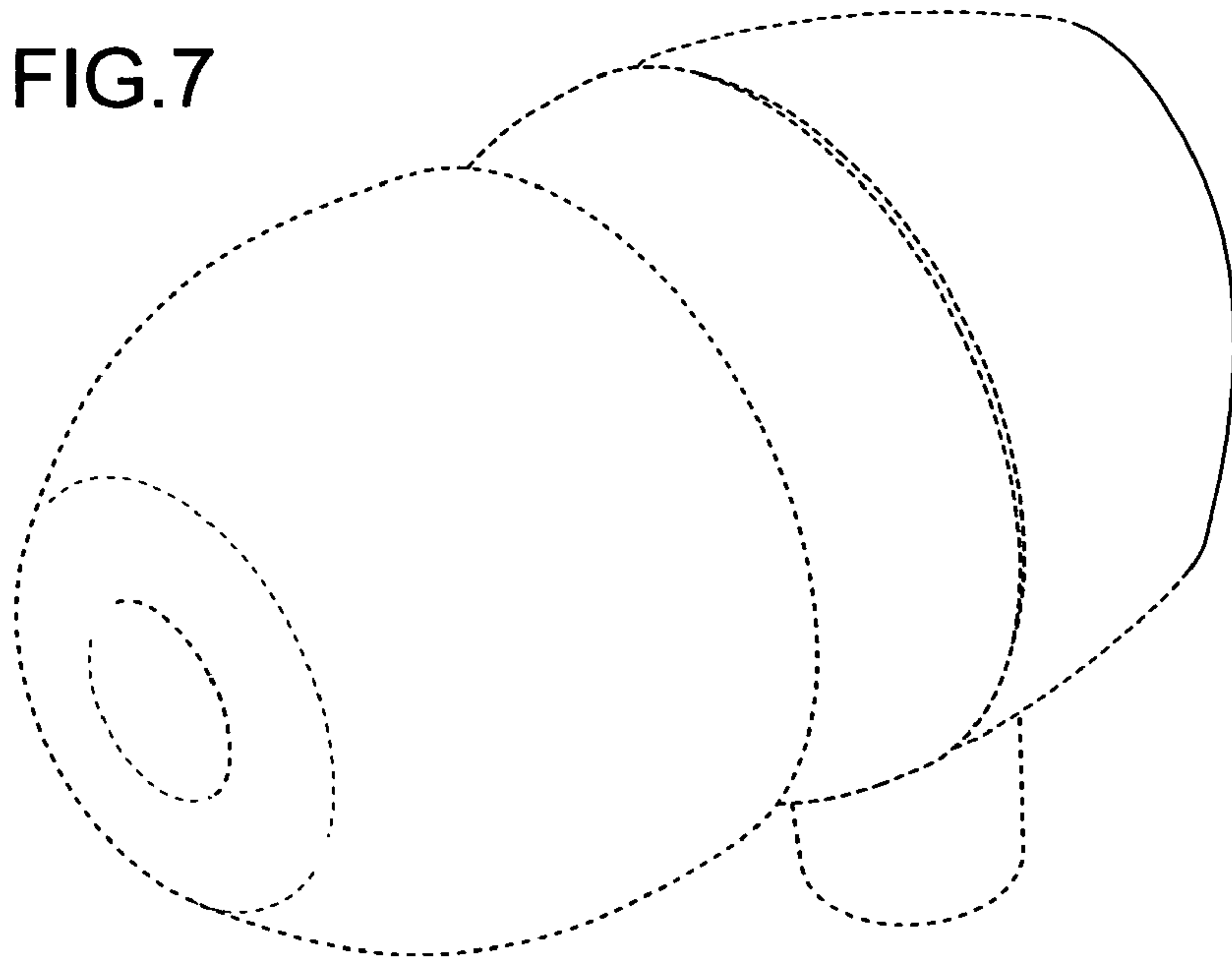


FIG.8

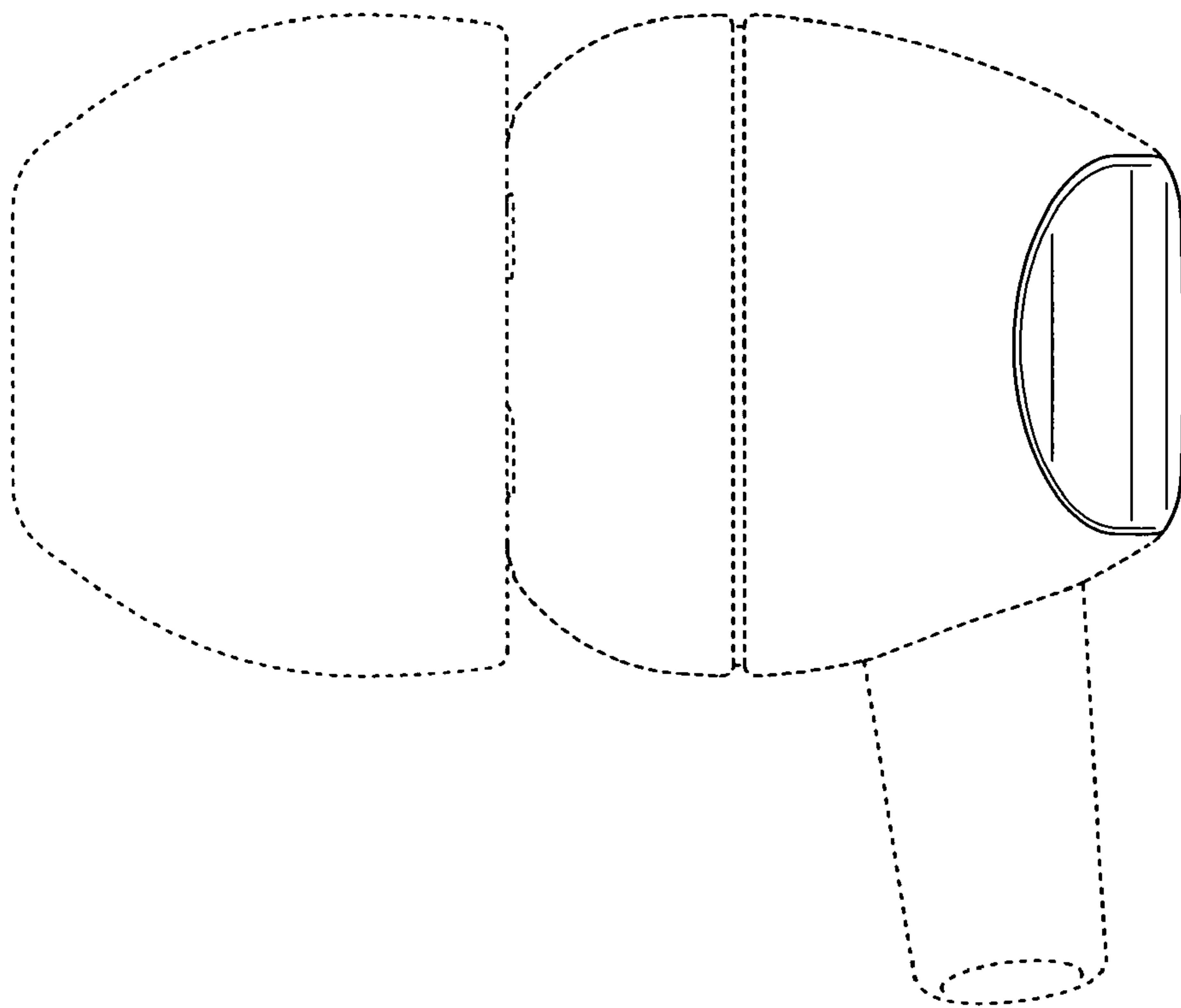


FIG.9

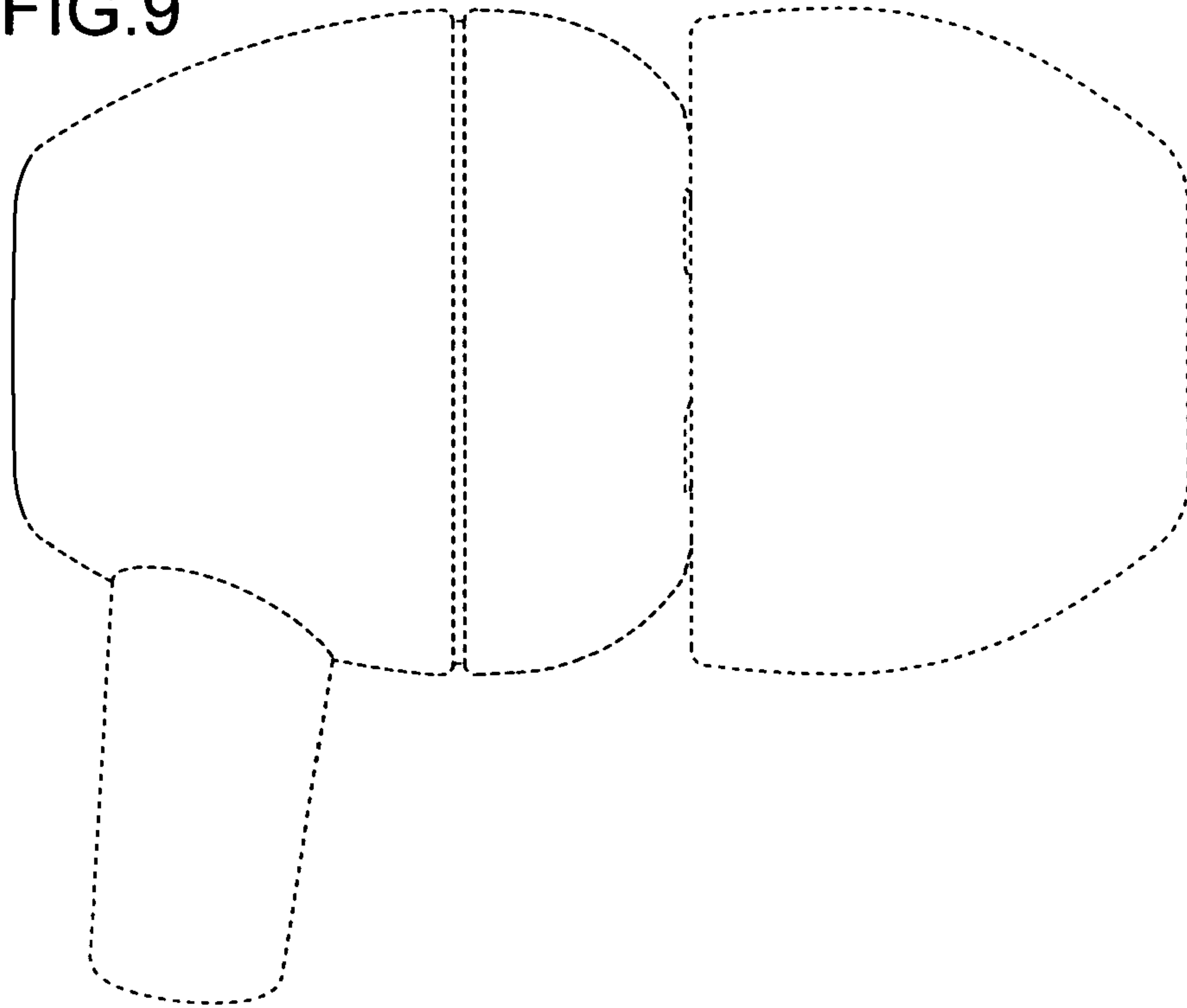


FIG.10

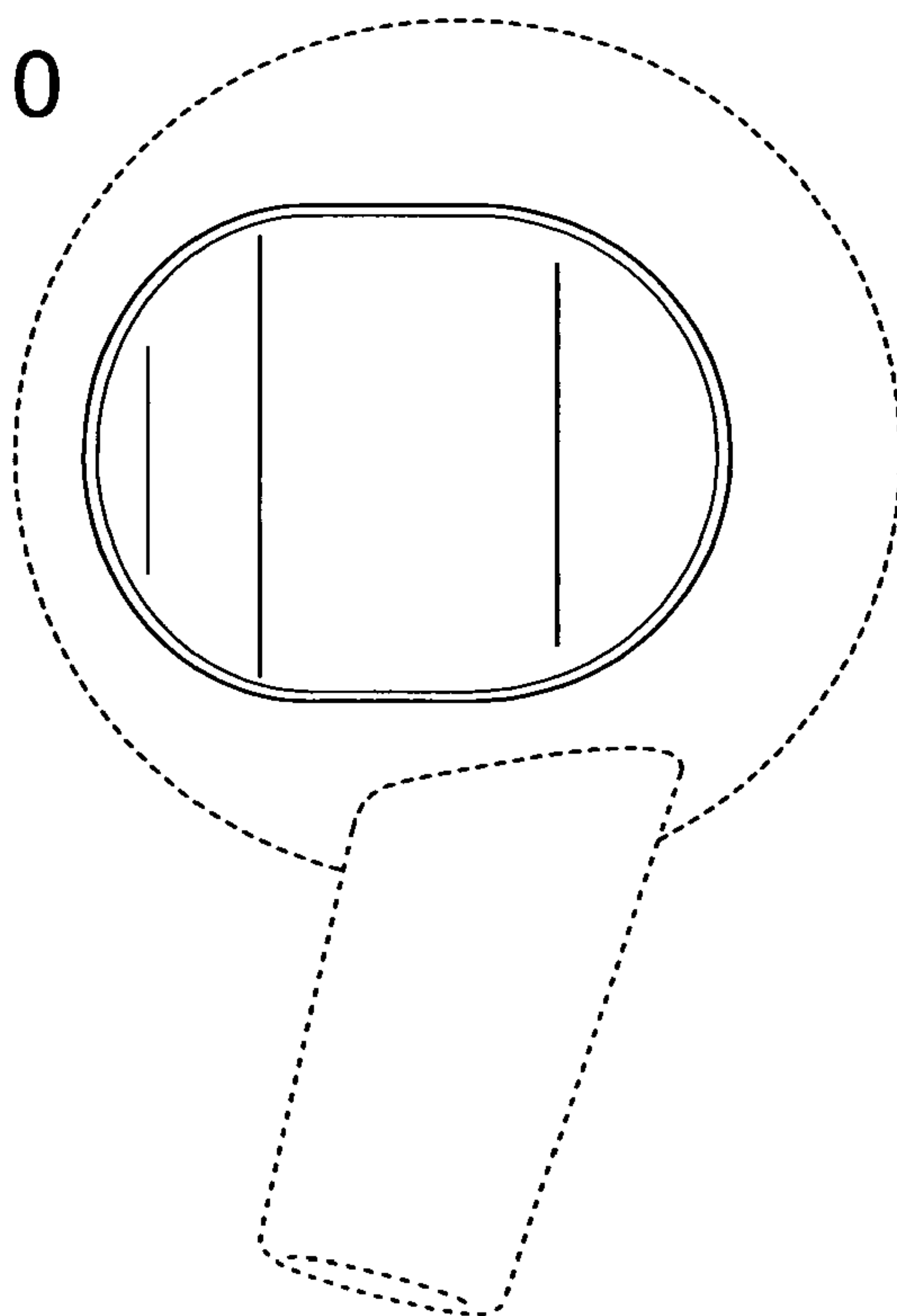


FIG.11

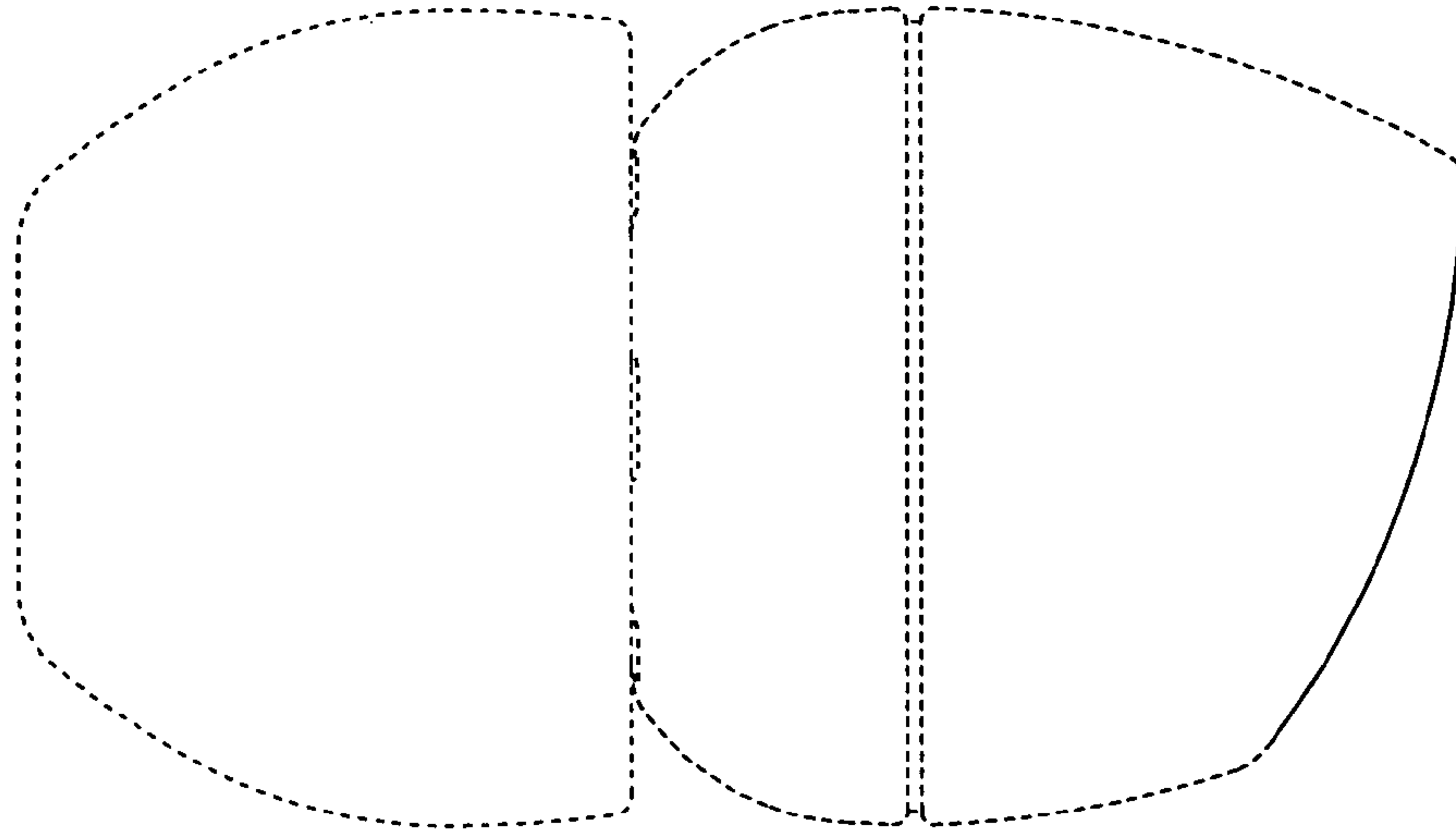


FIG.12

