



US00D656488S

(12) **United States Design Patent**
Nakayama et al.

(10) **Patent No.:** **US D656,488 S**

(45) **Date of Patent:** **** Mar. 27, 2012**

(54) **REMOTE CONTROLLER FOR PROJECTOR**

(75) Inventors: **Tetsu Nakayama**, Matsumoto (JP);
Yoshihiro Tatara, Matsumoto (JP);
Zenta Kosaka, Matsumoto (JP);
Megumi Godo, Matsumoto (JP)

(73) Assignee: **Seiko Epson Corporation**, Tokyo (JP)

(**) Term: **14 Years**

(21) Appl. No.: **29/402,777**

(22) Filed: **Sep. 27, 2011**

(30) **Foreign Application Priority Data**

May 18, 2011 (JP) 2011-011098

(51) **LOC (9) Cl.** **14-03**

(52) **U.S. Cl.** **D14/218**

(58) **Field of Classification Search** D14/218,
D14/455; D13/168; D21/566; D10/104,
D10/106; 345/169; 348/14.05, 114, 211.99,
348/734; 340/825.24; 341/22; 455/92, 95,
455/128, 151.1-151.4, 352, 355, FOR. 121;
700/65

See application file for complete search history.

(56) **References Cited**

U.S. PATENT DOCUMENTS

D312,072 S * 11/1990 Bergeron D13/168
D514,526 S * 2/2006 Chen et al. D13/168
D531,964 S * 11/2006 Peh D13/168

D532,777 S * 11/2006 Yu et al. D14/218
D549,665 S * 8/2007 Chen D13/168
D568,827 S * 5/2008 Ikeda et al. D13/168
D582,396 S * 12/2008 Sun et al. D14/218
D584,718 S * 1/2009 Moller et al. D14/218
D597,533 S * 8/2009 Kumagai et al. D14/218
D608,765 S * 1/2010 Tsai et al. D14/218
D614,605 S * 4/2010 Teh et al. D14/218
D622,703 S * 8/2010 Cheng Teh et al. D14/218
D633,478 S * 3/2011 Bolton D14/218
D640,669 S * 6/2011 Cho et al. D14/218
D647,510 S * 10/2011 Maier et al. D14/218
D648,285 S * 11/2011 Kashimoto D13/168
D648,327 S * 11/2011 Maier et al. D14/218

* cited by examiner

Primary Examiner — John Windmuller

(74) *Attorney, Agent, or Firm* — Oliff & Berridge, PLC

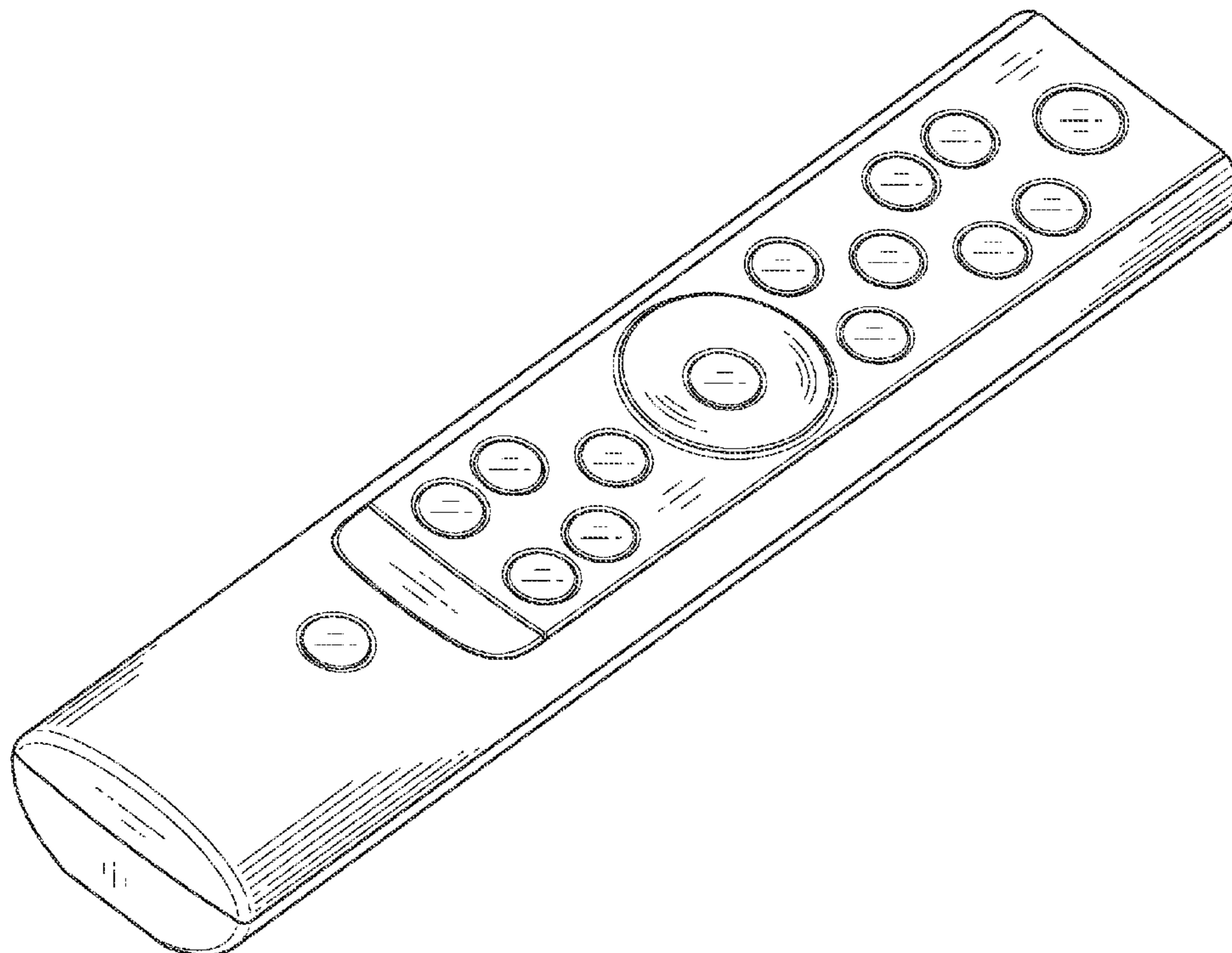
(57) **CLAIM**

The ornamental design for a remote controller for projector, as shown and described.

DESCRIPTION

FIG. 1 is a top, front, right-side perspective view of a remote controller for projector;
FIG. 2 is a bottom, rear, left-side perspective view thereof;
FIG. 3 is a front view thereof;
FIG. 4 is a rear view thereof;
FIG. 5 is a left-side view thereof;
FIG. 6 is a right-side view thereof;
FIG. 7 is a top view thereof; and,
FIG. 8 is a bottom view thereof.

1 Claim, 6 Drawing Sheets



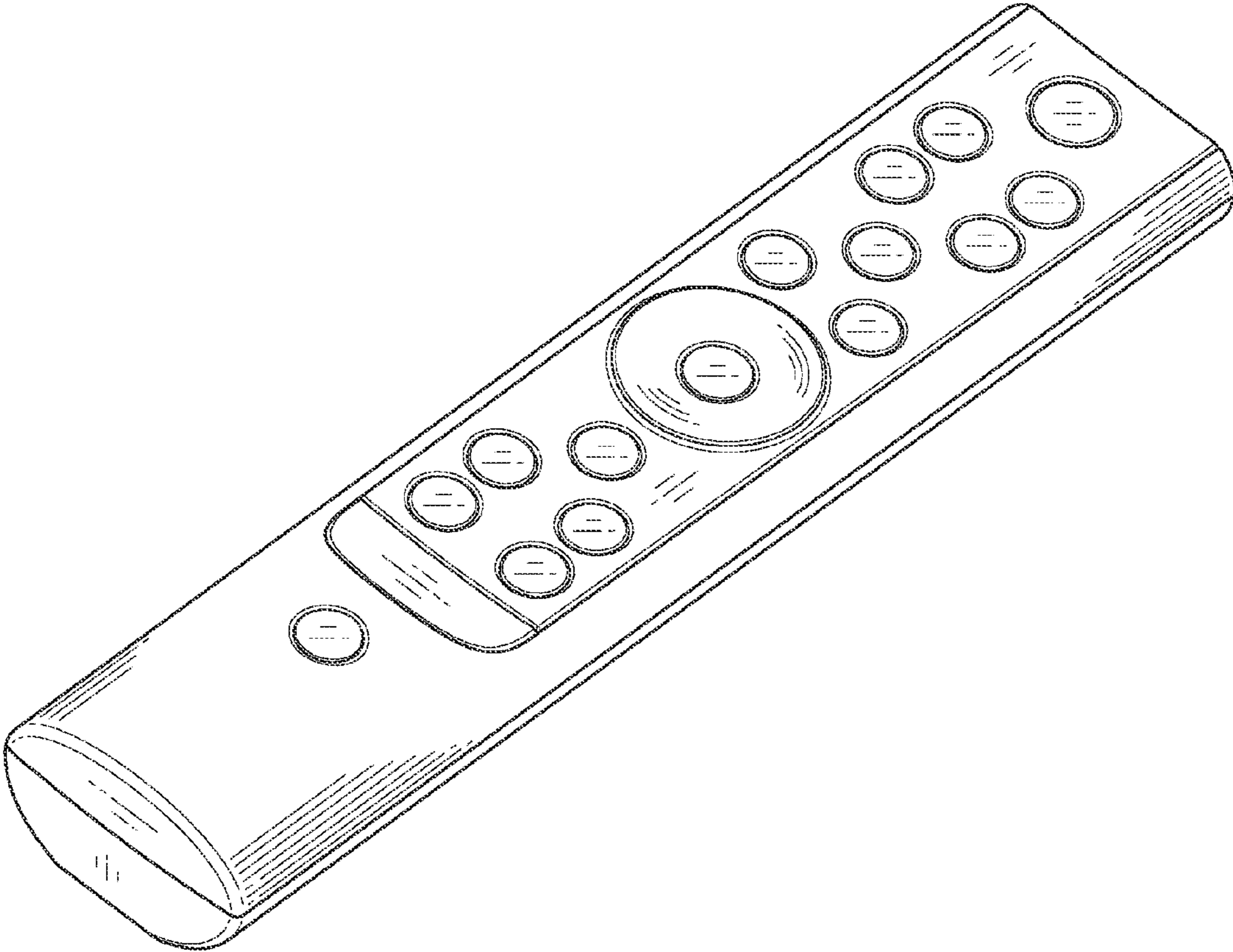


FIG. 1

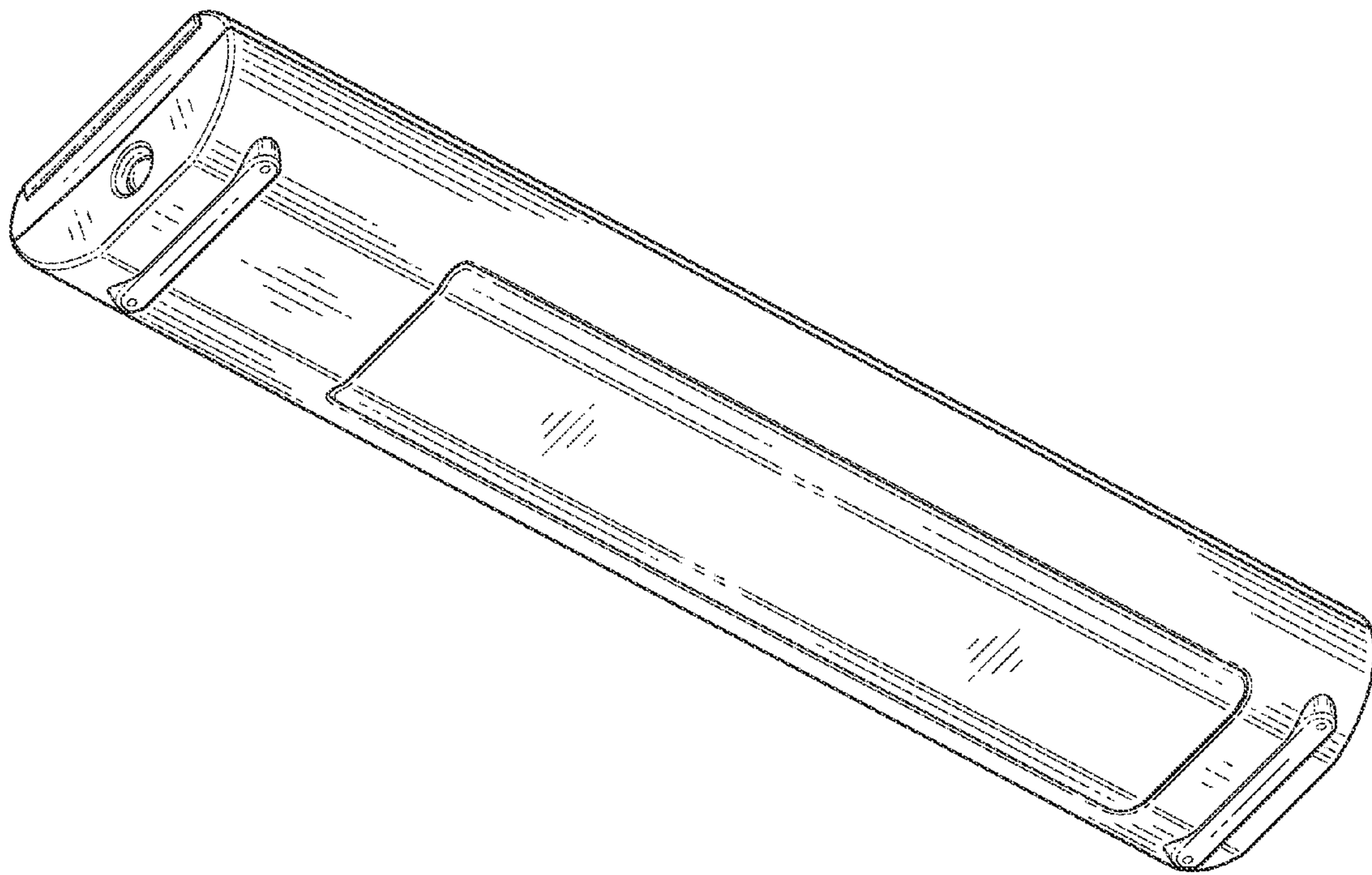


FIG. 2

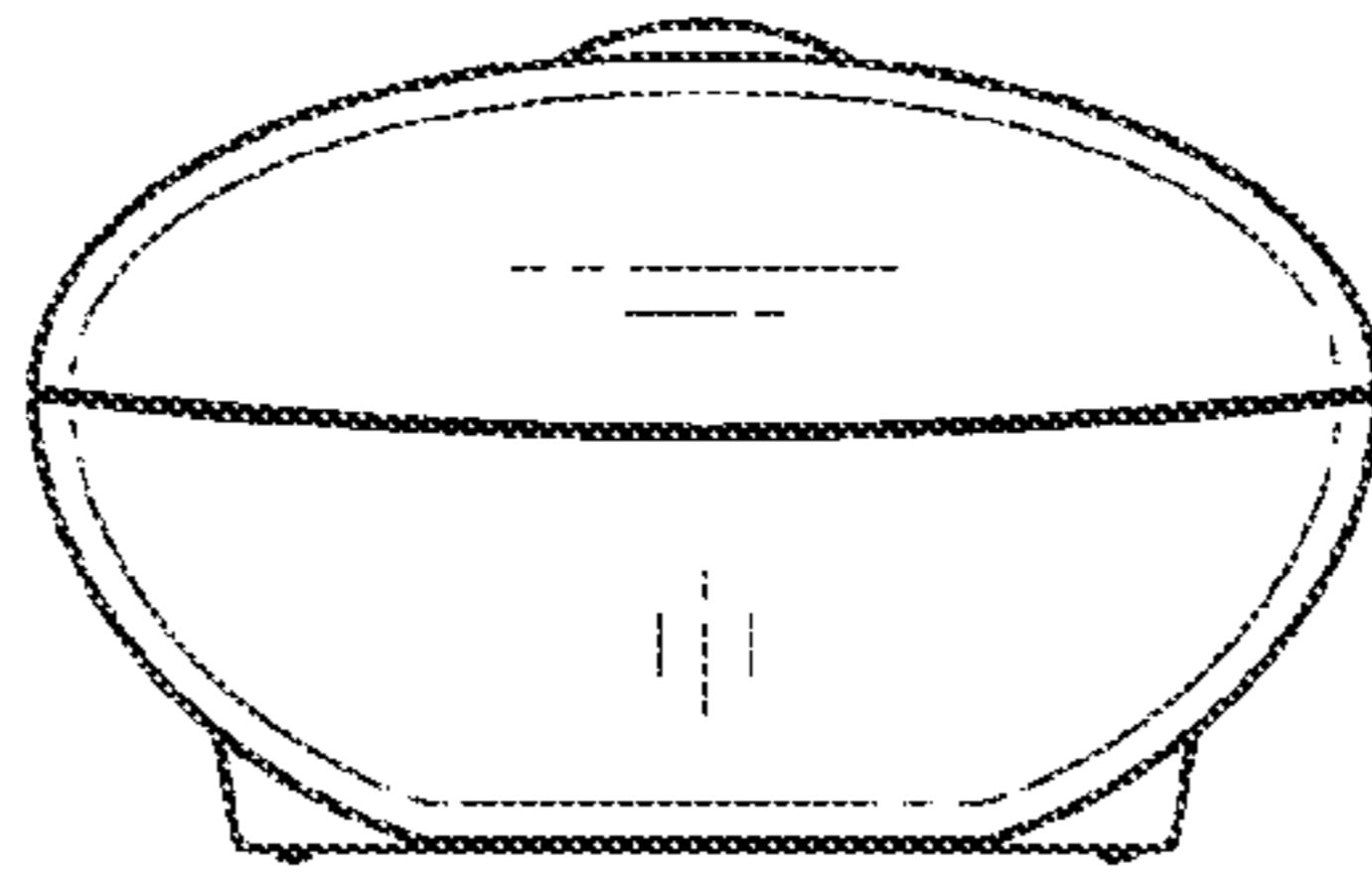


FIG. 3

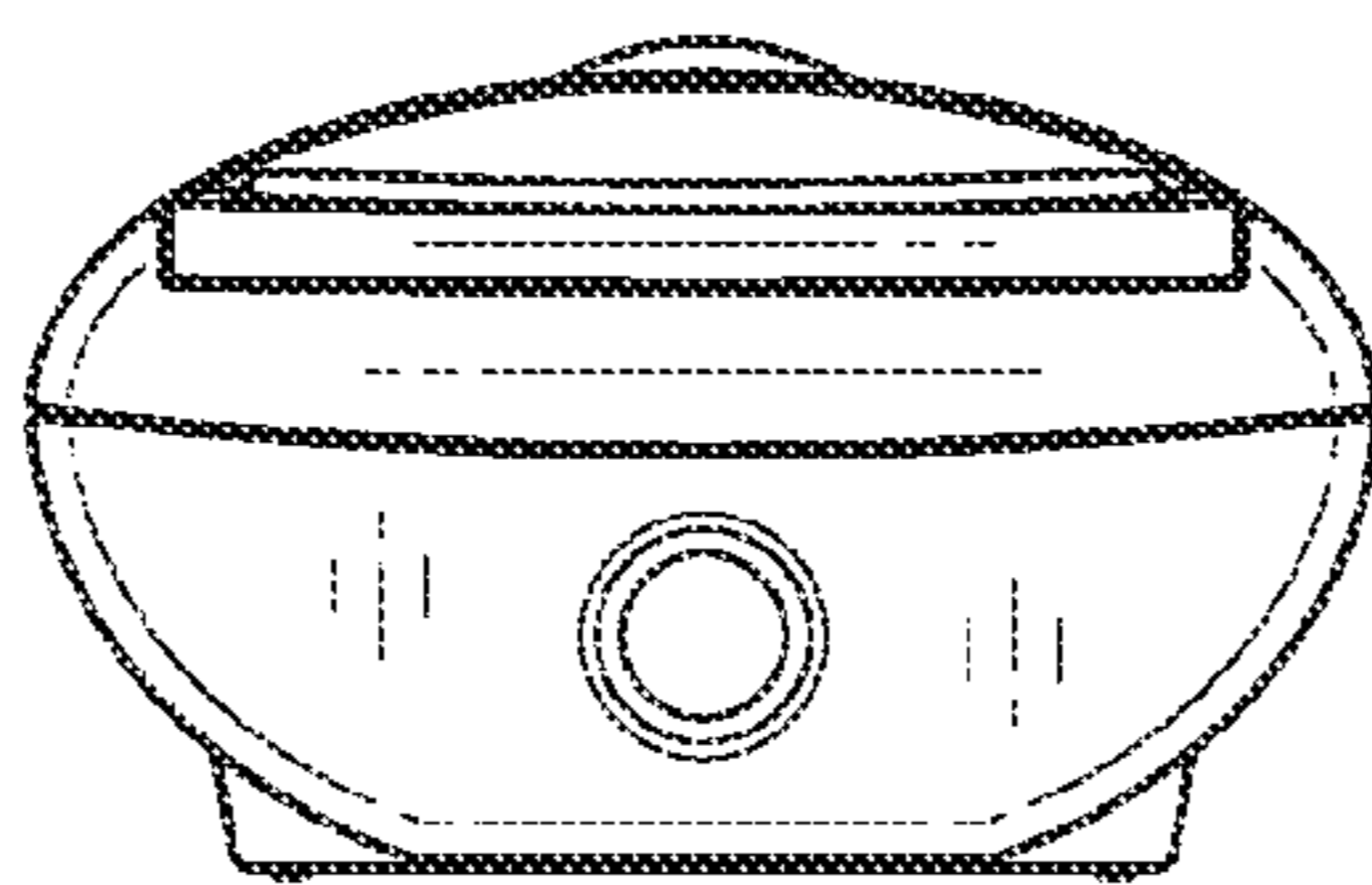


FIG. 4

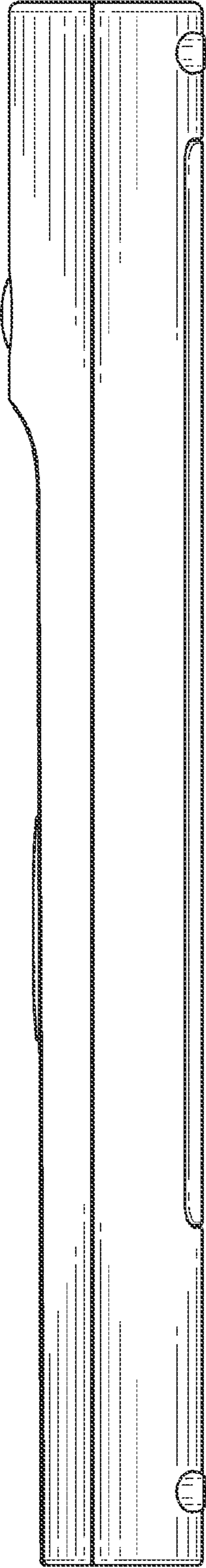


FIG. 5

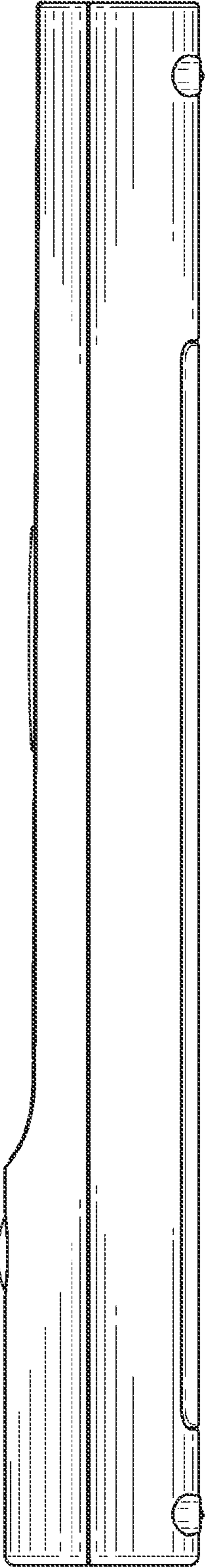


FIG. 6

FIG. 7

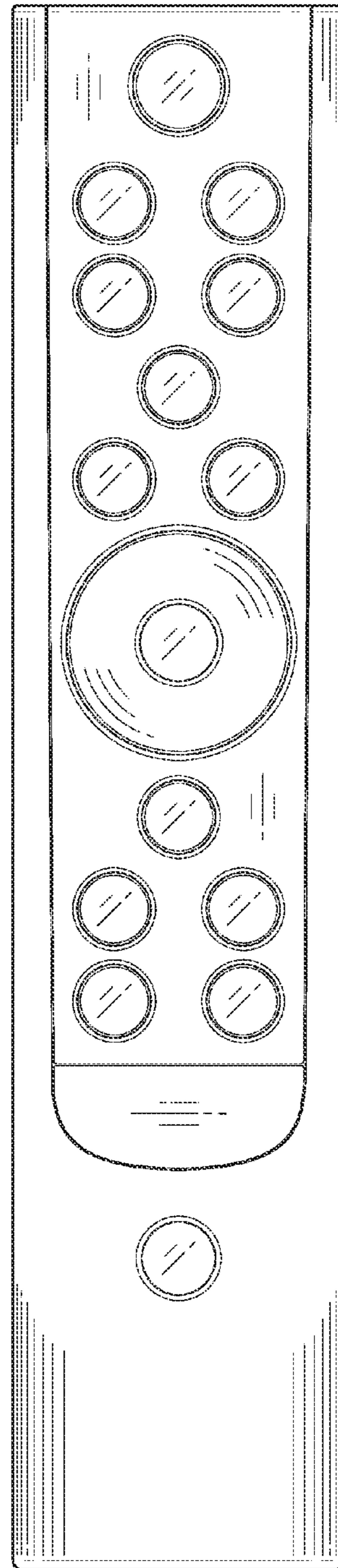


FIG. 8

