



US00D656487S

(12) **United States Design Patent**
Corsini et al.

(10) **Patent No.:** **US D656,487 S**
(45) **Date of Patent:** **** Mar. 27, 2012**

(54) **HAND HELD REMOTE**

(75) Inventors: **Peter H. Corsini**, East Sandwich, MA (US); **Daniel W. Ashcraft**, Torrance, CA (US); **Caroline Park**, Venice, CA (US); **Ron Shafrir**, Mashpee, MA (US)

(73) Assignee: **Savant Systems, LLC**, Osterville, MA (US)

(**) Term: **14 Years**

(21) Appl. No.: **29/400,468**

(22) Filed: **Aug. 29, 2011**

(51) **LOC (9) Cl.** **14-03**

(52) **U.S. Cl.** **D14/218**

(58) **Field of Classification Search** D14/218, D14/455; D13/168; D21/566; D10/104, D10/106; 345/169; 348/14.05, 114, 211.99, 348/734; 340/825.24; 341/22; 455/92, 95, 455/128, 151.1-151.4, 352, 355, FOR. 121; 700/65

See application file for complete search history.

(56) **References Cited**

U.S. PATENT DOCUMENTS

D515,041 S * 2/2006 Yun et al. D13/168
D521,459 S * 5/2006 Yun et al. D13/168

D531,964 S * 11/2006 Peh D13/168
D555,107 S * 11/2007 Choi et al. D13/168
D587,689 S * 3/2009 Hwang et al. D14/218
D591,731 S * 5/2009 Lee et al. D14/218
D596,630 S * 7/2009 Kaneta D14/247
D614,607 S * 4/2010 Kamegi D14/218
D615,965 S * 5/2010 Yokota D14/218
D626,531 S * 11/2010 Farmer et al. D14/218
D639,278 S * 6/2011 Chai et al. D14/218
2003/0095048 A1 * 5/2003 Choi et al. 340/825.69

* cited by examiner

Primary Examiner — John Windmuller

(74) *Attorney, Agent, or Firm* — Cesari and McKenna, LLP; John F. McKenna

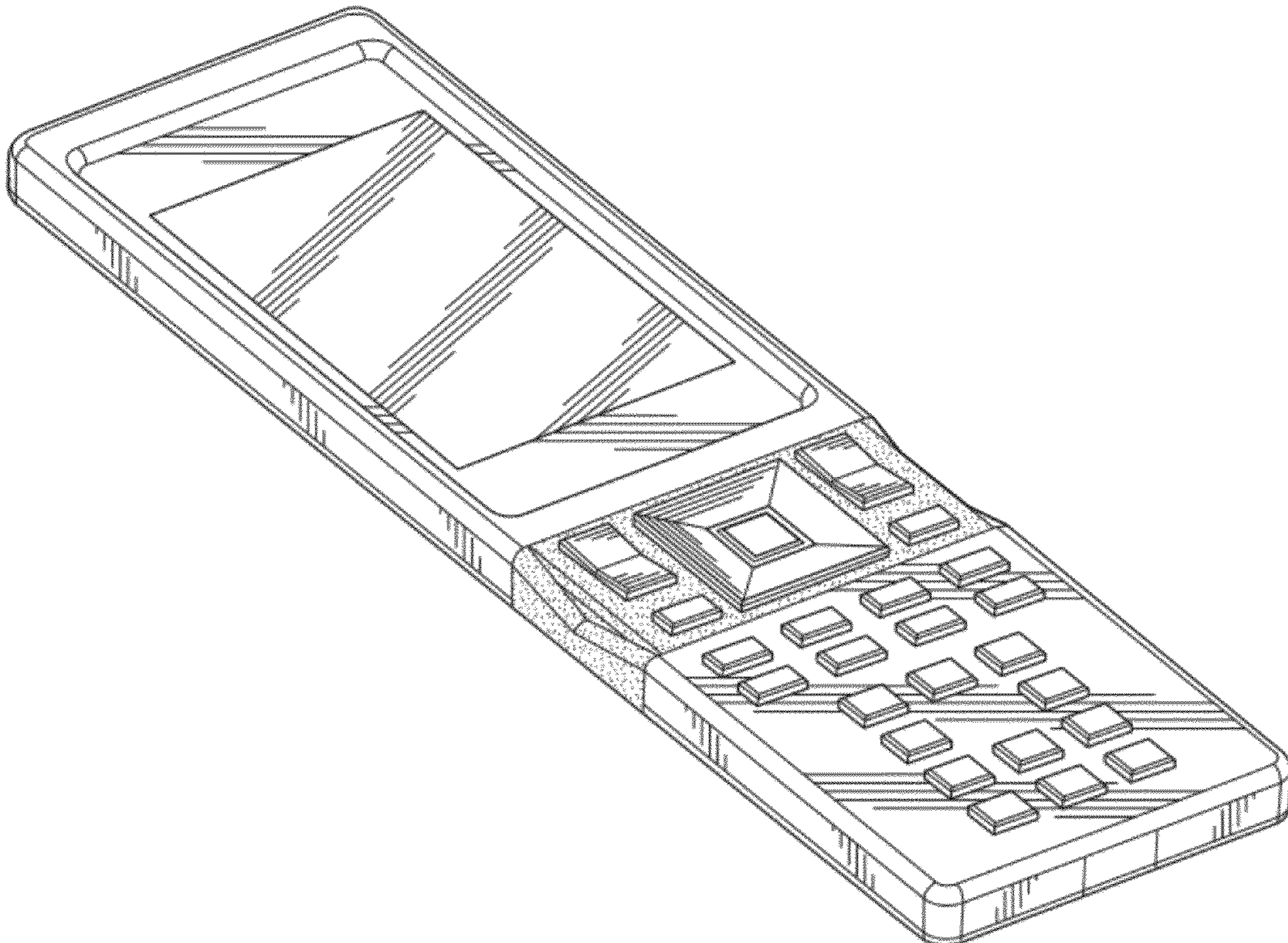
(57) **CLAIM**

The ornamental design for a hand held remote, as shown and described.

DESCRIPTION

FIG. 1 is a perspective view from above of a hand held remote showing the new design;
FIG. 2 is a front view thereof;
FIG. 3 is a rear view thereof;
FIG. 4 is a right side elevational view thereof, the left side being a mirror image thereof;
FIG. 5 is a top end view thereof; and,
FIG. 6 is a bottom end view thereof.
The stippling indicates a contrasting color.

1 Claim, 4 Drawing Sheets



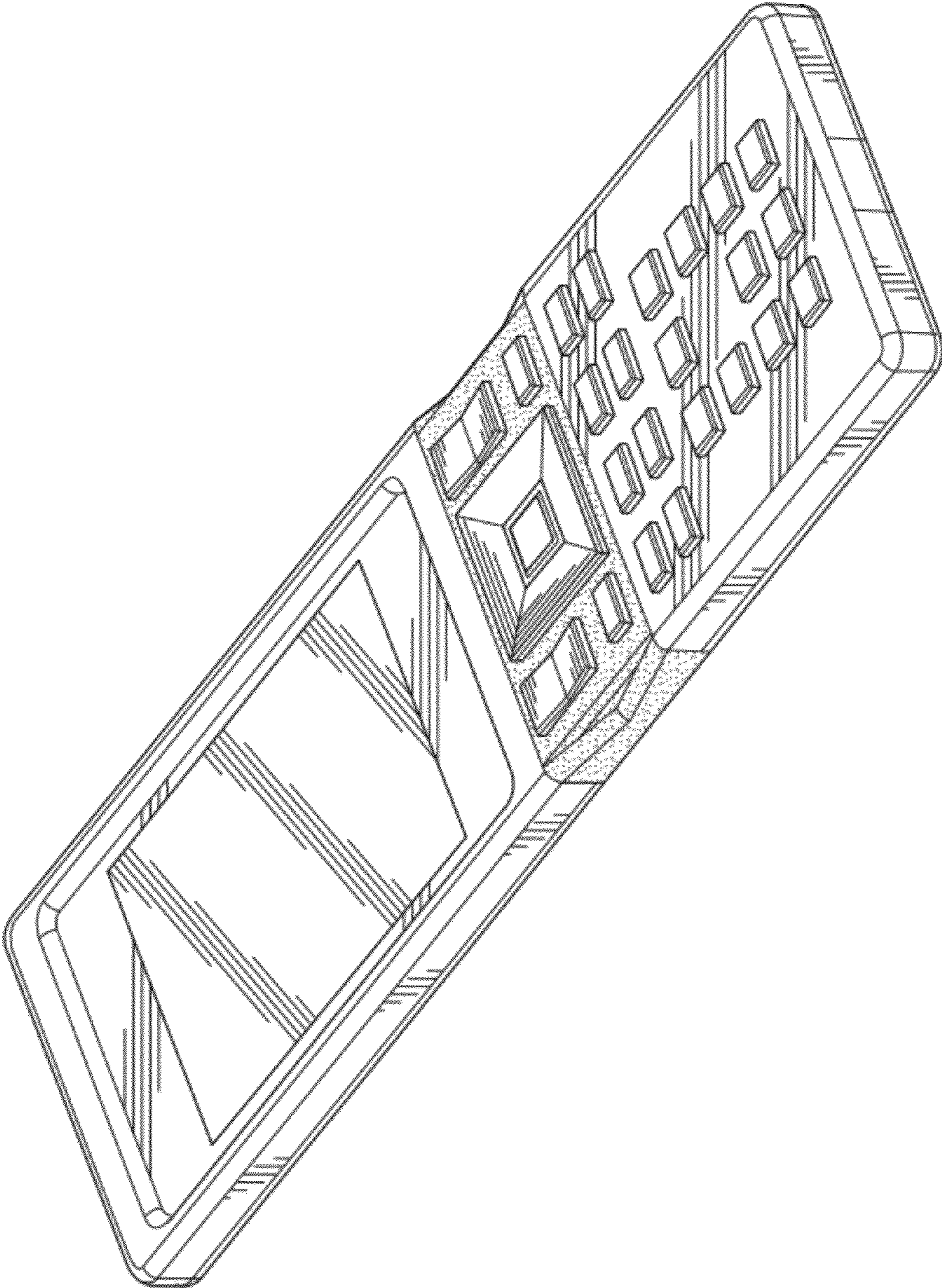


FIG. 1

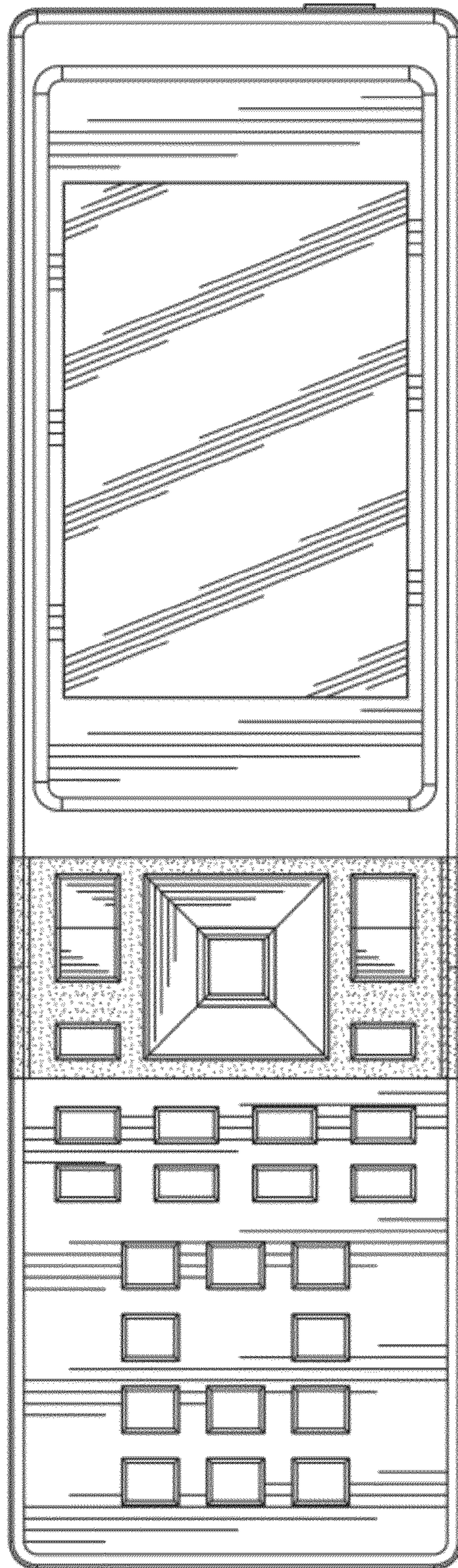


FIG. 2

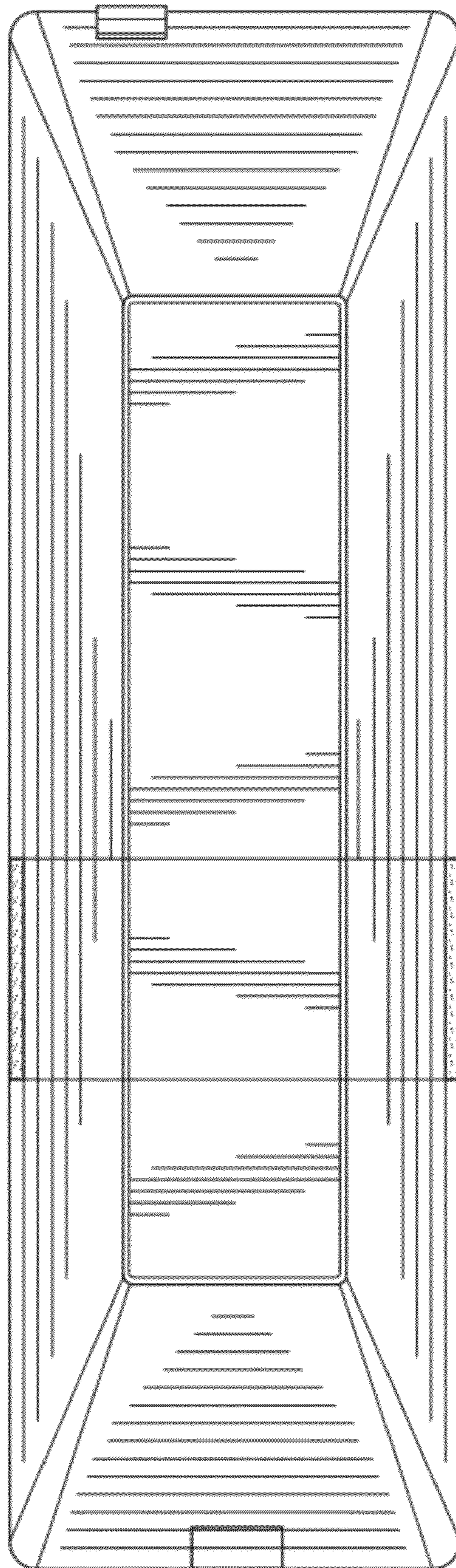


FIG. 3

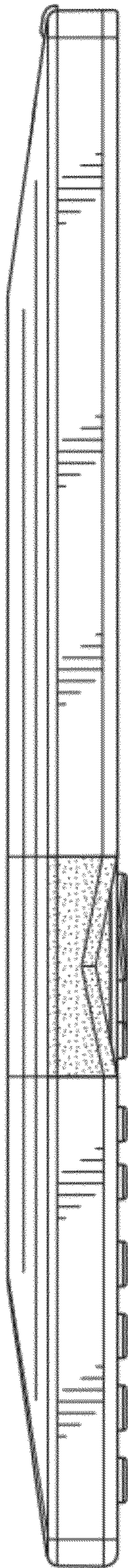


FIG. 4



FIG. 5

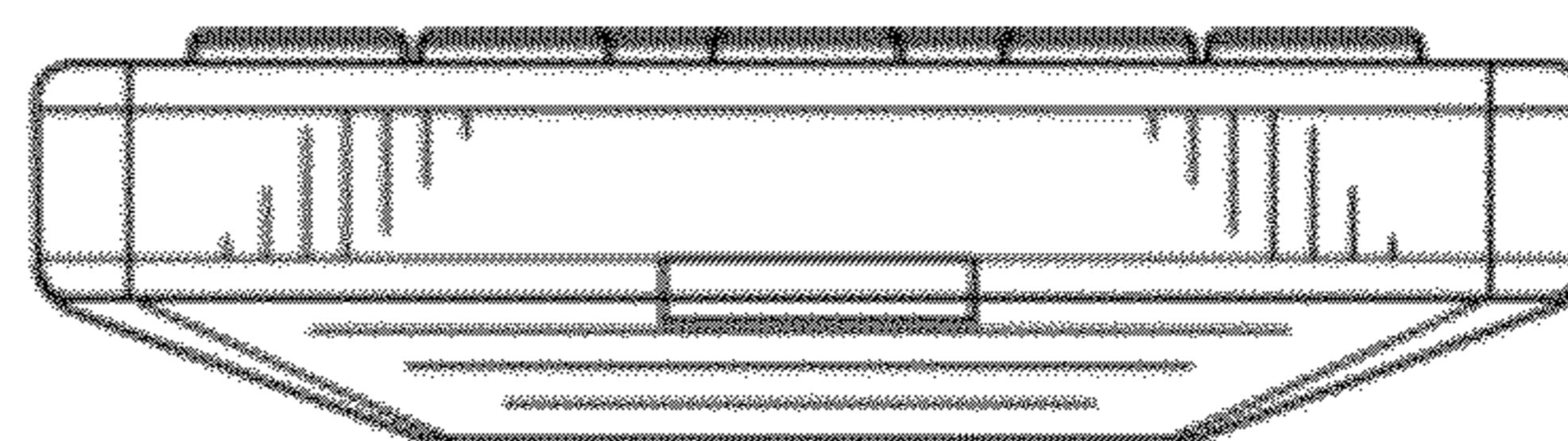


FIG. 6