



US00D656486S

(12) **United States Design Patent**
Parraga Gimeno

(10) **Patent No.:** **US D656,486 S**
(45) **Date of Patent:** **** Mar. 27, 2012**

(54) **SPEAKER**

(75) Inventor: **D. Javier Parraga Gimeno**, Leganés (ES)

(73) Assignee: **Woxter Technology Co., Limited**, Causeway Bay (HK)

(**) Term: **14 Years**

(21) Appl. No.: **29/382,403**

(22) Filed: **Jan. 3, 2011**

(51) **LOC (9) Cl.** **14-01**

(52) **U.S. Cl.** **D14/216**

(58) **Field of Classification Search** D14/204,
D14/210–216, 221, 222, 172; 181/143–144,
181/147–148, 150–153, 157, 166, 198–199;
381/300–303, 306, 332–333, 336, 345, 361–364,
381/386–388

See application file for complete search history.

(56) **References Cited**

U.S. PATENT DOCUMENTS

4,574,906 A * 3/1986 White et al. 181/145
D342,738 S * 12/1993 Hwang D14/213
D602,911 S * 10/2009 Wang et al. D14/216

* cited by examiner

Primary Examiner — Nanda Bondade

(74) *Attorney, Agent, or Firm* — Merchant & Gould P.C.

(57) **CLAIM**

The ornamental design for speaker, as shown and described.

DESCRIPTION

FIG. 1 is a front elevation view of a speaker, with the speaker in an extended position.

FIG. 2 is a front elevation view of the speaker, with the speaker in a retracted position.

FIG. 3 is a perspective view of the speaker, with the speaker in the extended position.

FIG. 4 is a bottom plan view of the speaker.

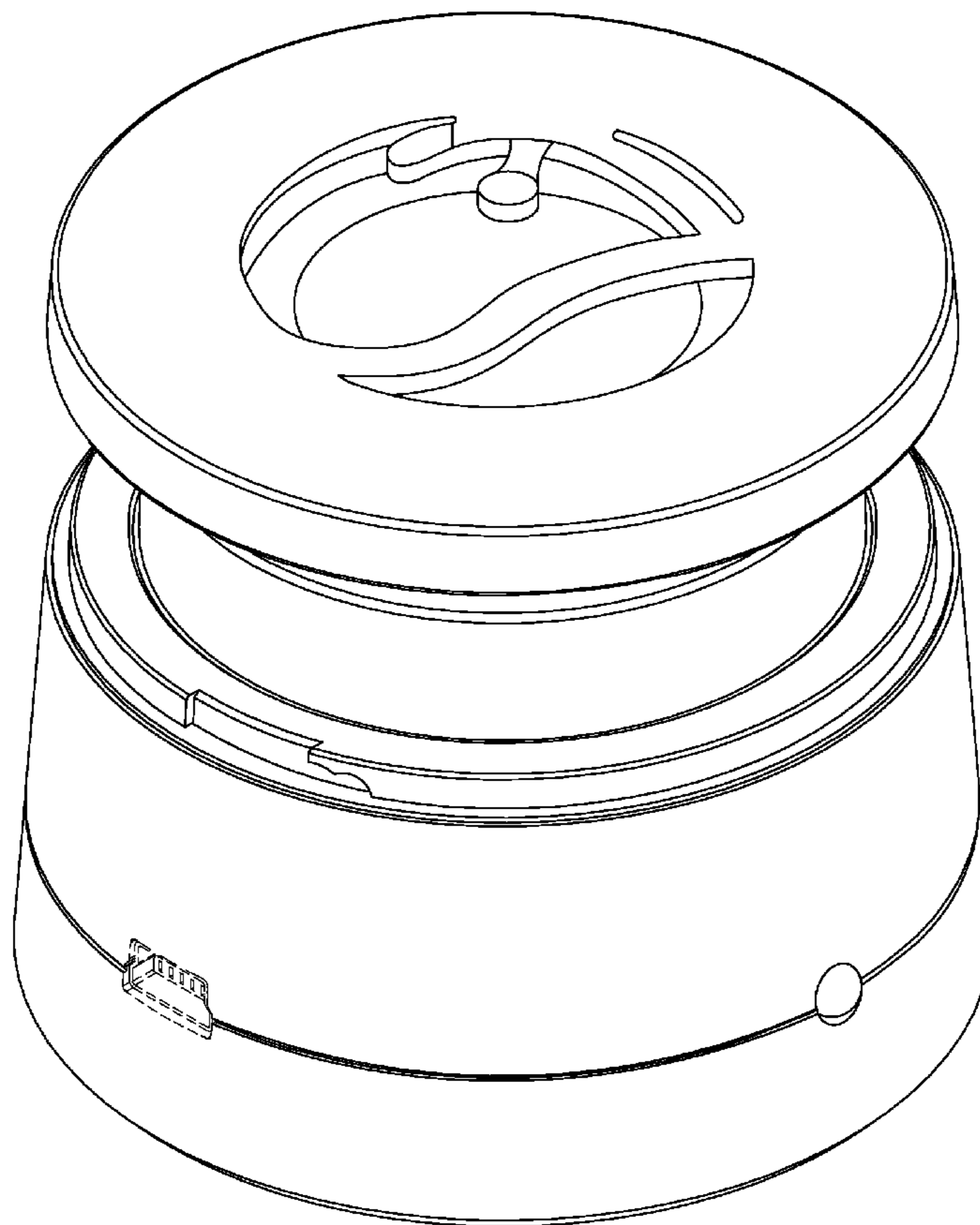
FIG. 5 is two speakers joined together at their respective base areas, the bottom speaker shown in broken lines is for illustrative purposes only and form no part of the claimed design;

FIG. 6 is a perspective view of the speaker, with the speaker in a retracted position; and,

FIG. 7 is an exploded bottom perspective view of the speaker, showing a magnetic suction pad which fixes the speaker to surface.

The broken line showing on the drawing disclosure is for illustrative purposes only and forms no part of the claimed design.

1 Claim, 7 Drawing Sheets



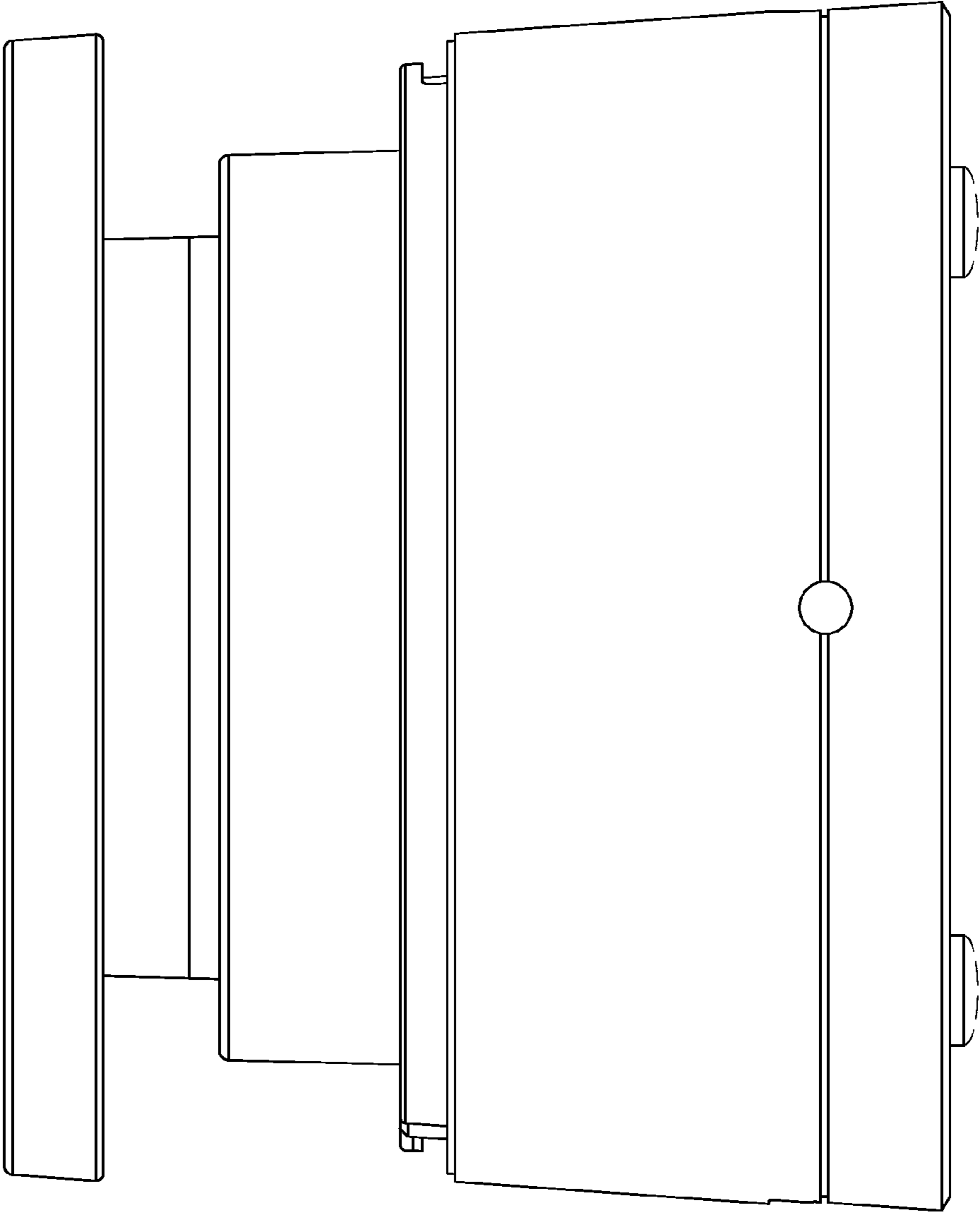


FIG. 1

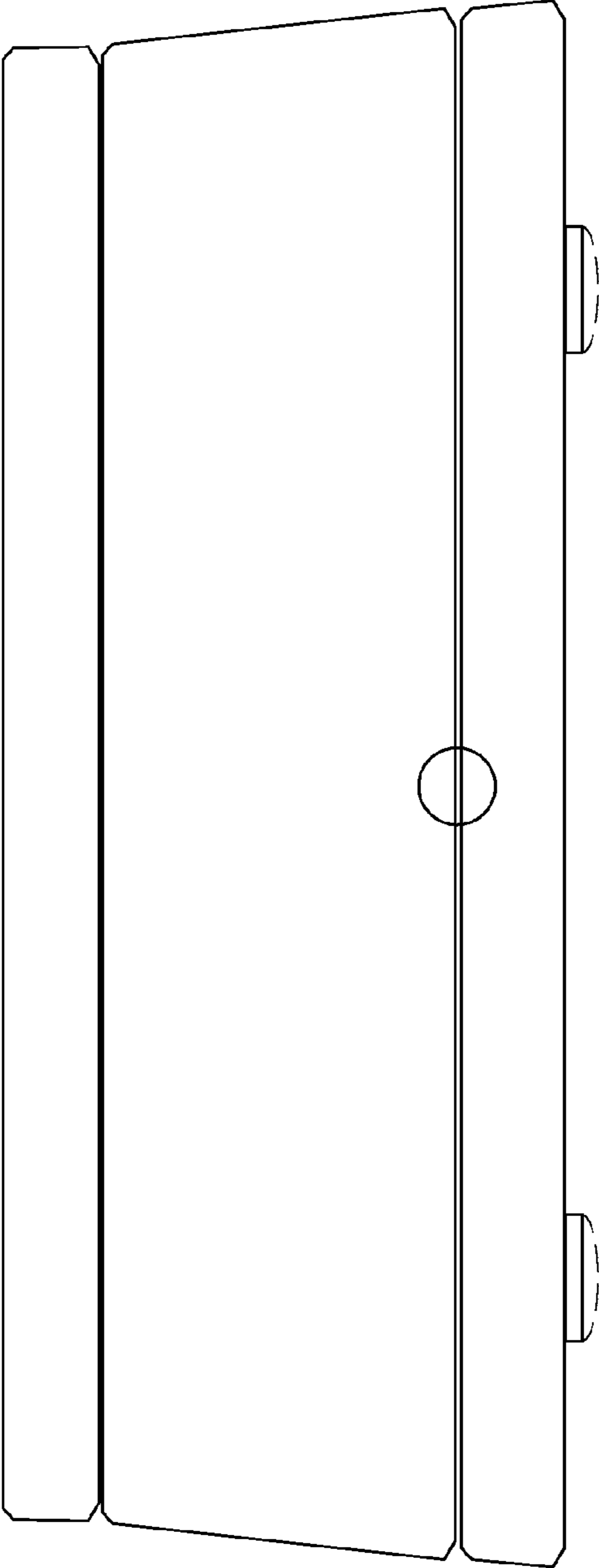
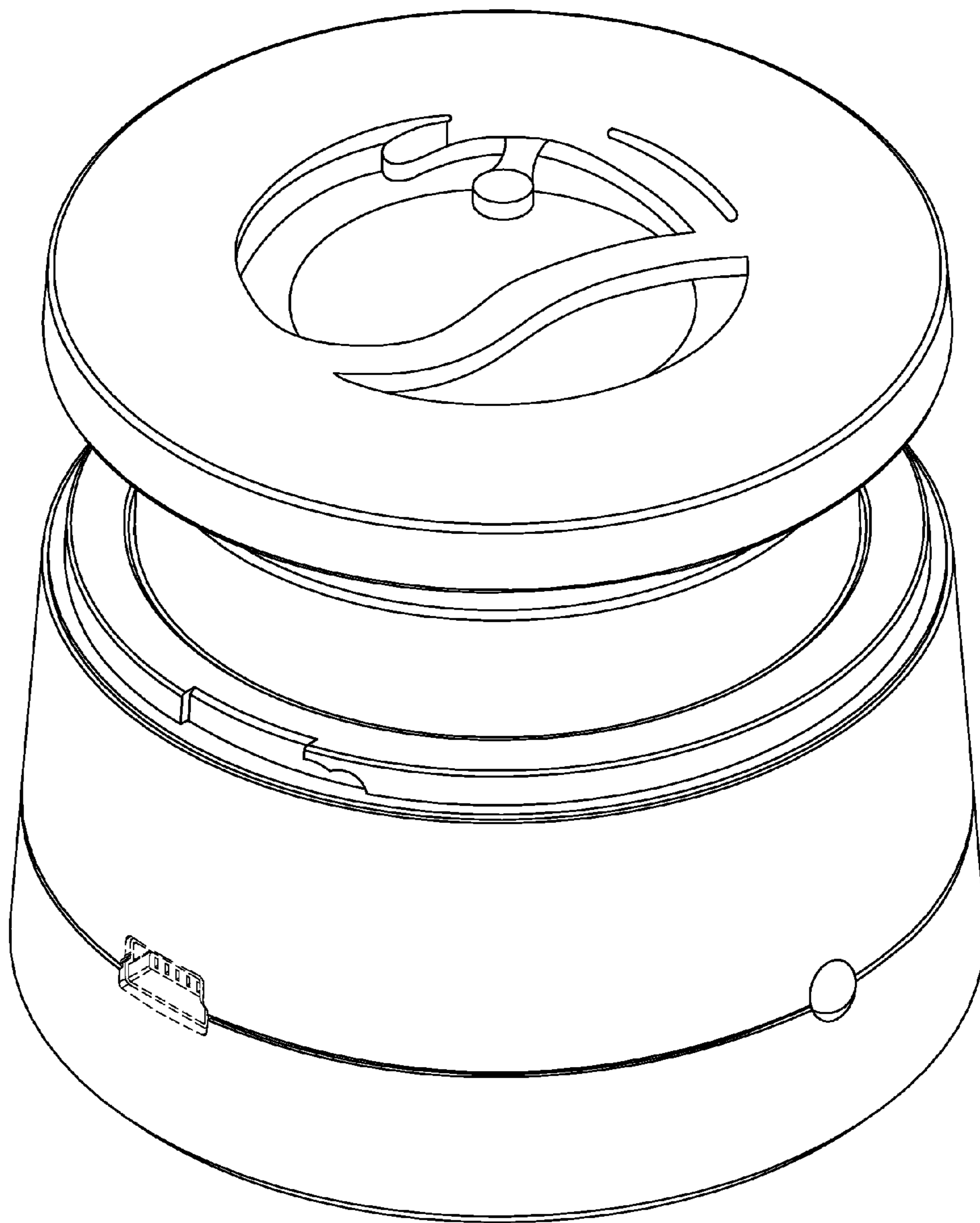


FIG. 2

FIG. 3



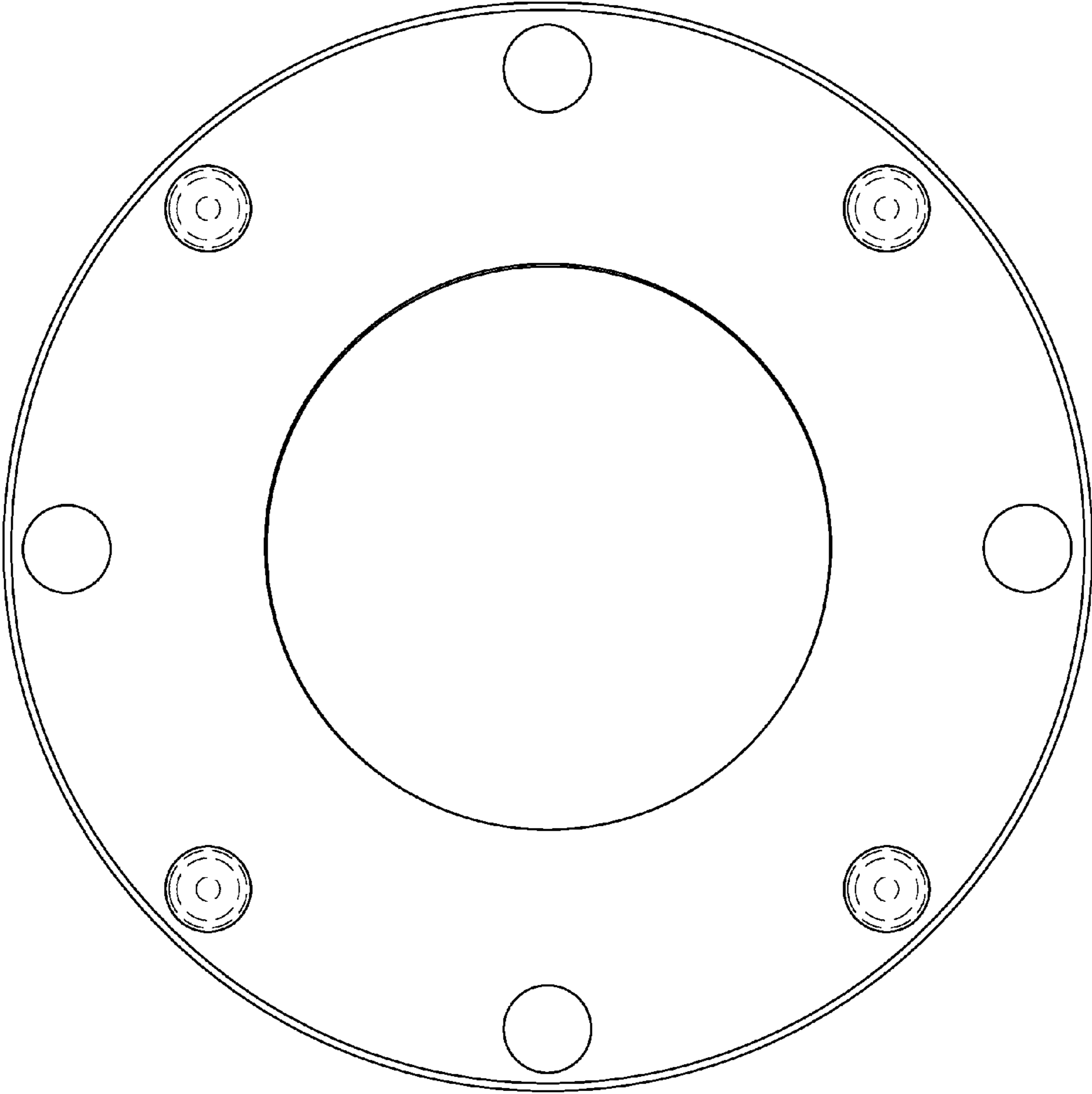


FIG. 4

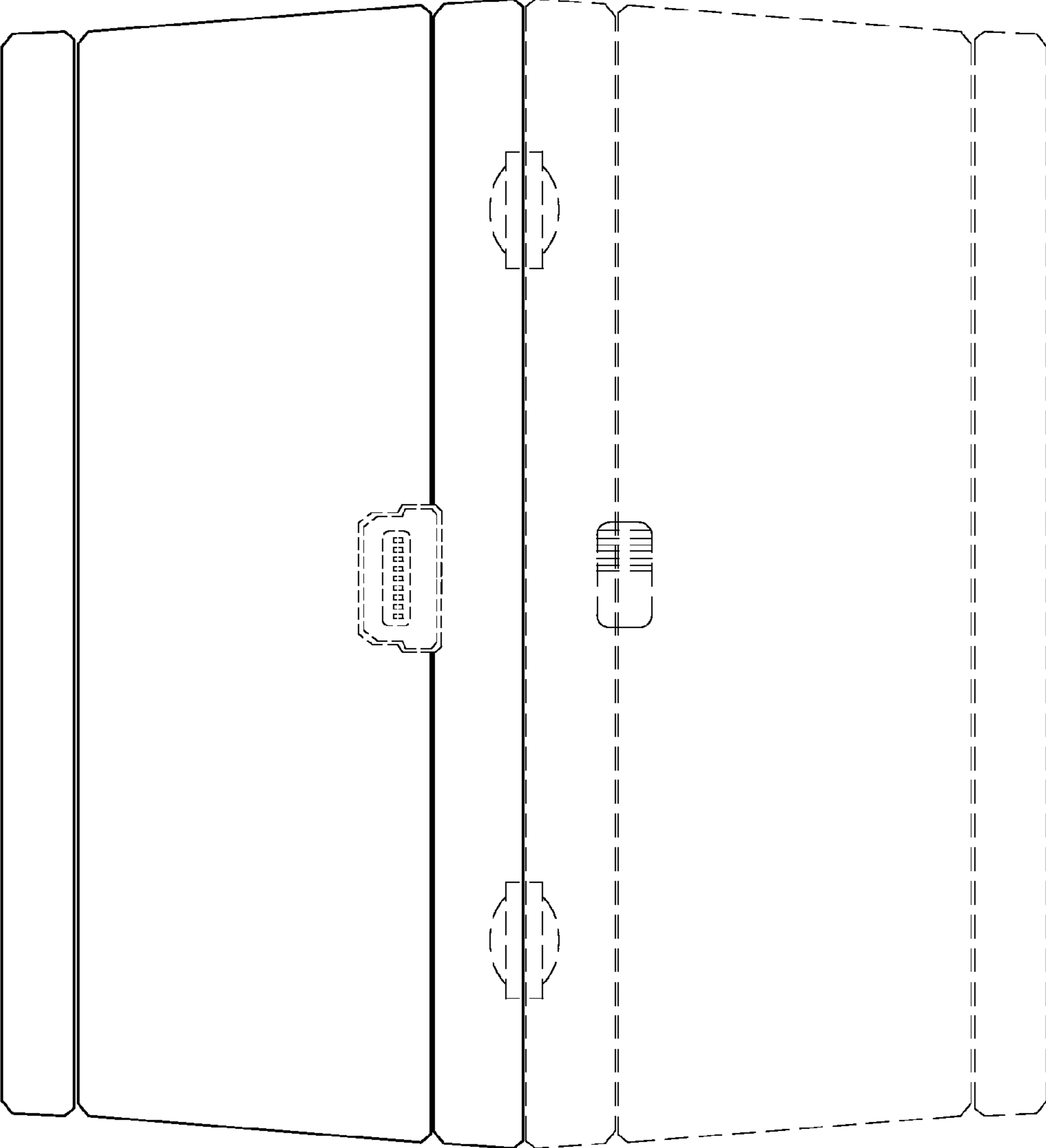


FIG. 5

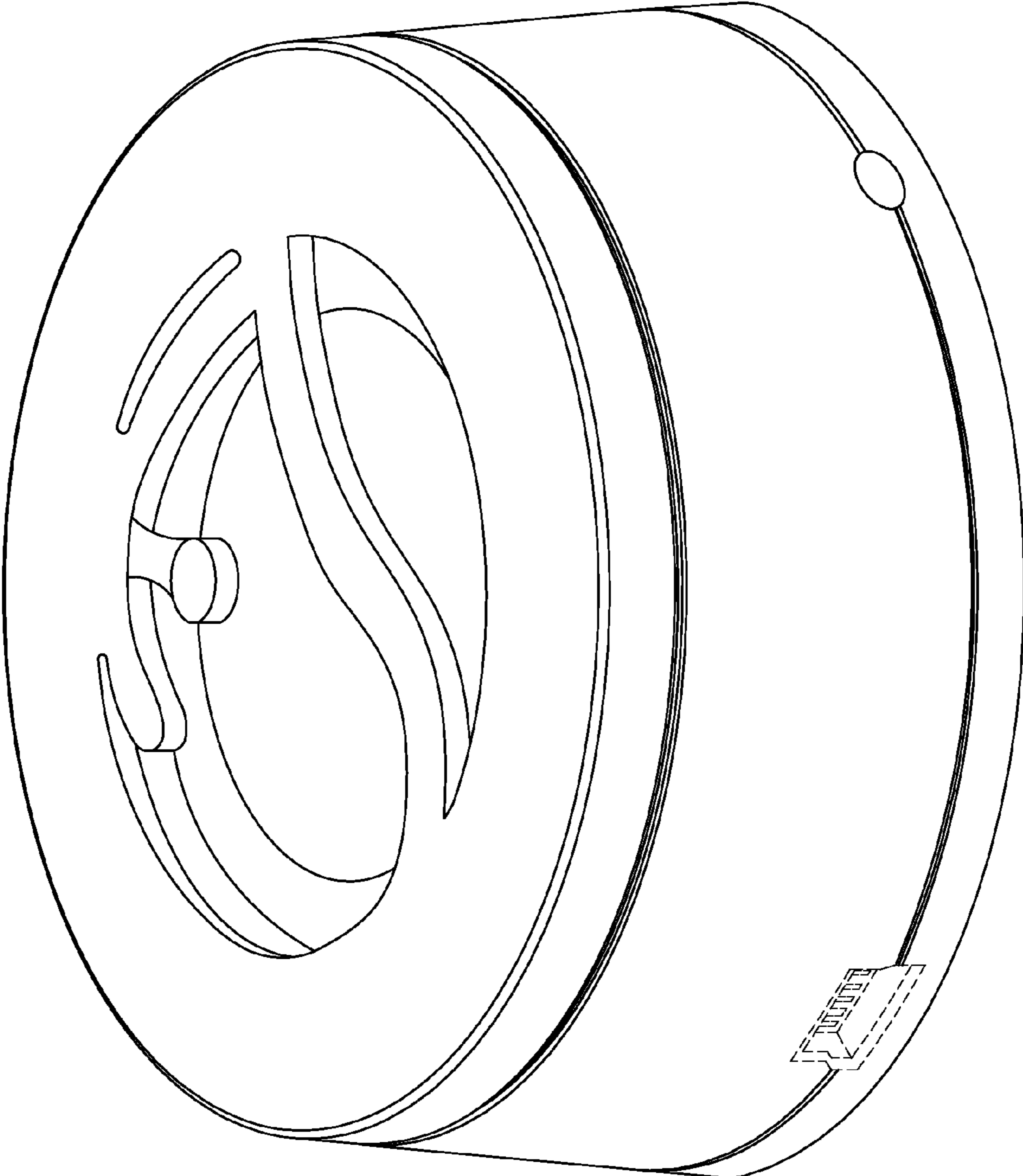


FIG. 6

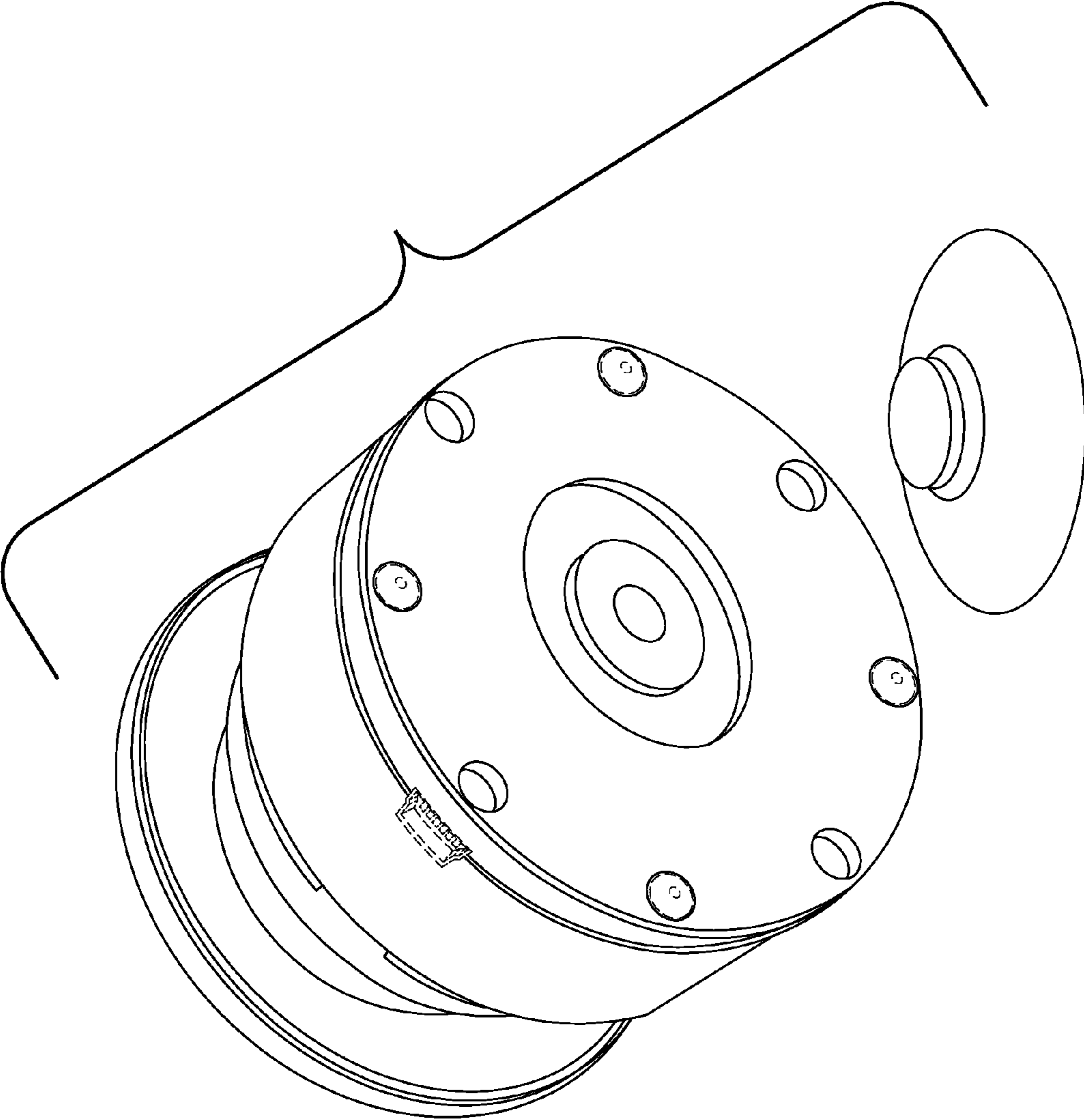


FIG. 7