



US00D656485S

(12) **United States Design Patent**
Lee et al.

(10) **Patent No.:** **US D656,485 S**
(45) **Date of Patent:** **** Mar. 27, 2012**

(54) **SPEAKER FOR HOME THEATER**

(56) **References Cited**

(75) Inventors: **Jiyeon Lee**, Gyeonggi-do (KR); **Sunggu Joe**, Seoul (KR); **Sunghoon Oh**, Seoul (KR)

(73) Assignee: **LG Electronics Inc.**, Seoul (KR)

(**) Term: **14 Years**

(21) Appl. No.: **29/391,891**

(22) Filed: **May 13, 2011**

(30) **Foreign Application Priority Data**

Dec. 9, 2010 (KR) 30-2010-0053524

(51) **LOC (9) Cl.** **14-01**

(52) **U.S. Cl.** **D14/211**

(58) **Field of Classification Search** D14/204,
D14/210–216, 172; 181/143–144, 147–148,
181/150–153, 157, 198–199; 381/300–303,
381/306, 332–333, 336, 345, 361–364, 386–388

See application file for complete search history.

U.S. PATENT DOCUMENTS

D585,874 S * 2/2009 Kim et al. D14/211
D585,875 S * 2/2009 Matsuoka D14/211
D597,528 S * 8/2009 Kira D14/211

* cited by examiner

Primary Examiner — Nanda Bondade

(74) *Attorney, Agent, or Firm* — Birch, Stewart, Kolasch & Birch, LLP

(57) **CLAIM**

The ornamental design for a speaker for home theater, as shown and described.

DESCRIPTION

FIG. 1 is a top, front, perspective view of a speaker for home theater showing our new design;
FIG. 2 is a front view thereof;
FIG. 3 is a rear view thereof;
FIG. 4 is a left side view thereof;
FIG. 5 is a right side view thereof;
FIG. 6 is a top view thereof; and,
FIG. 7 is a bottom view thereof.

1 Claim, 6 Drawing Sheets

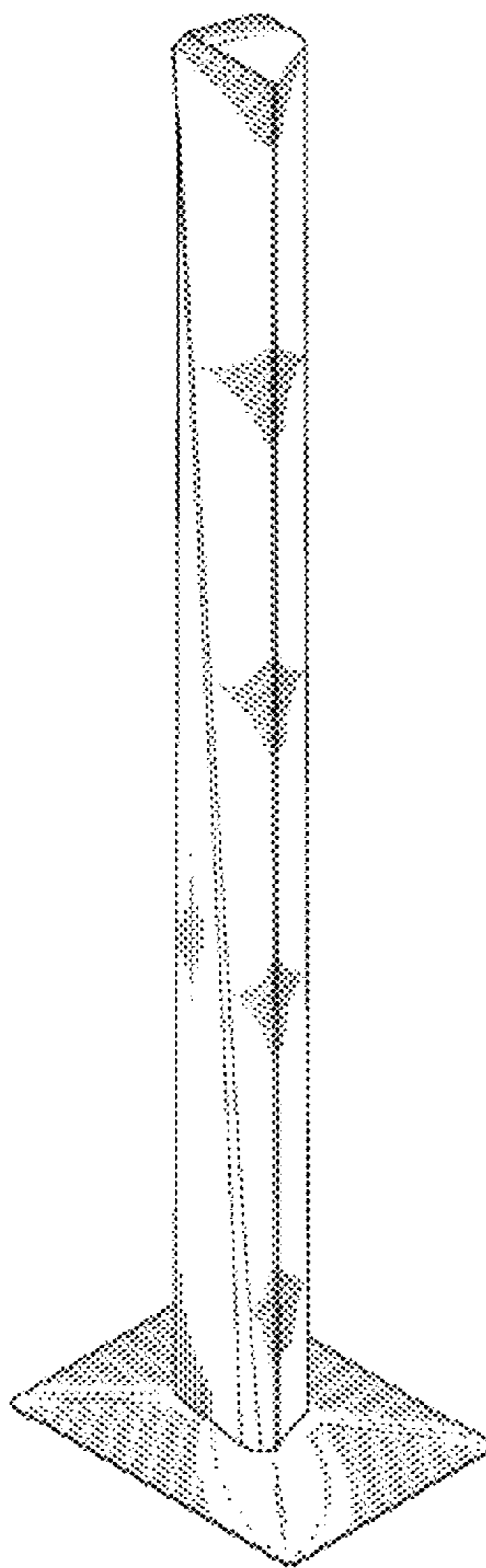


FIG. 1

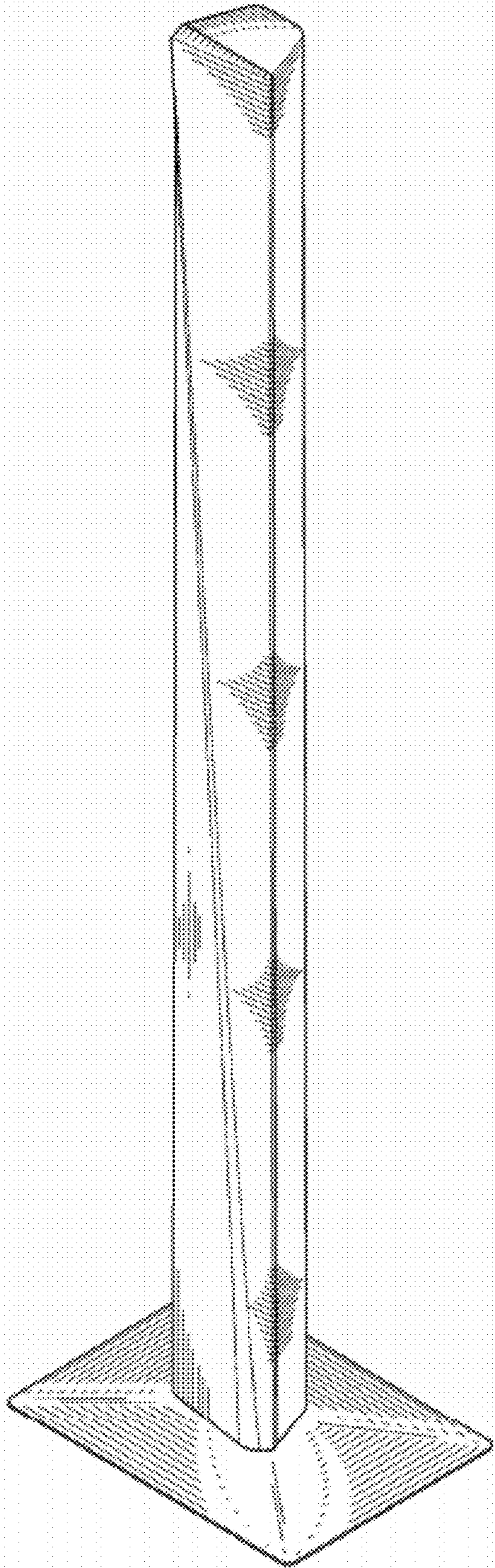


FIG. 2

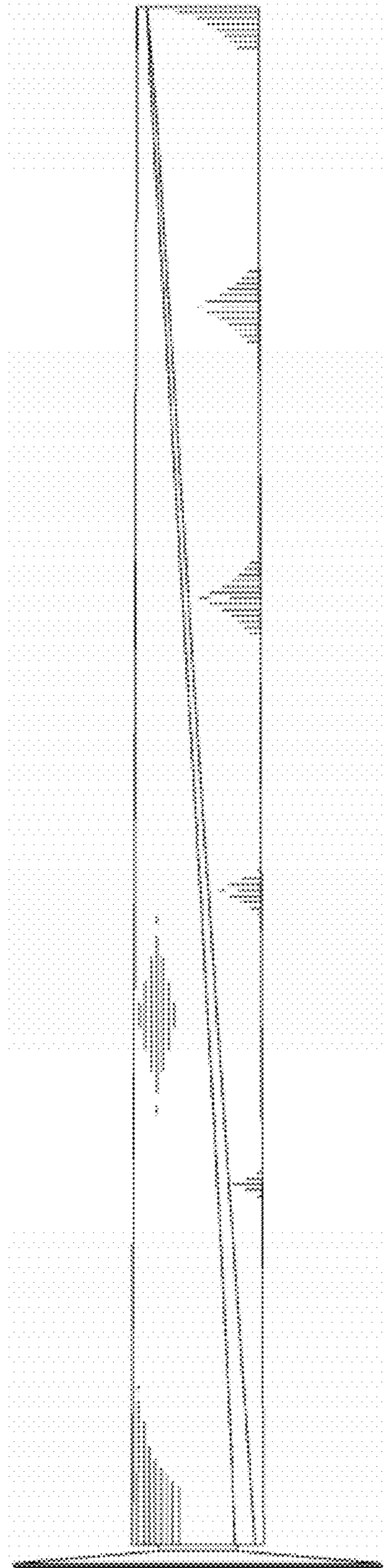


FIG. 3

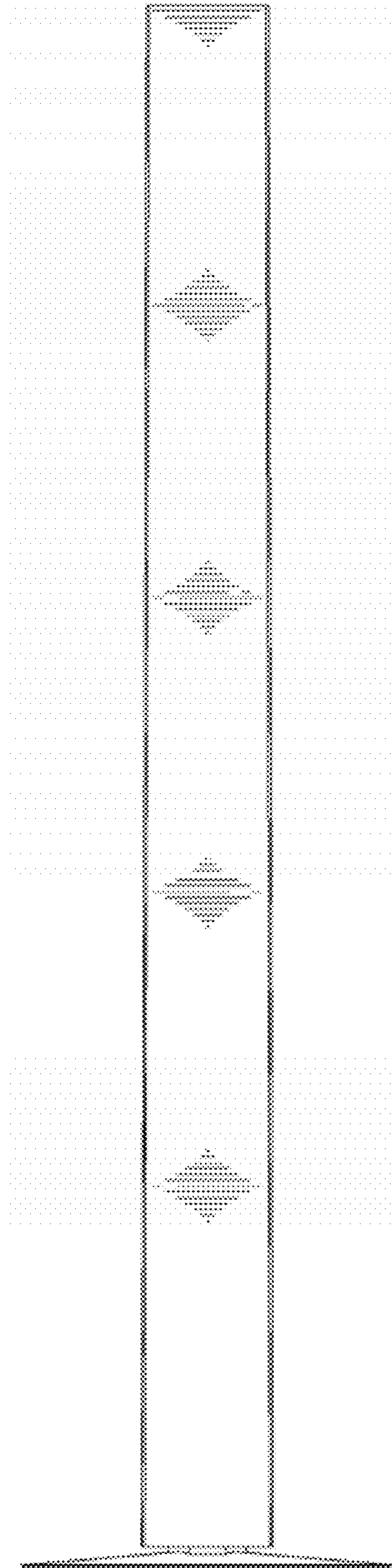


FIG. 4

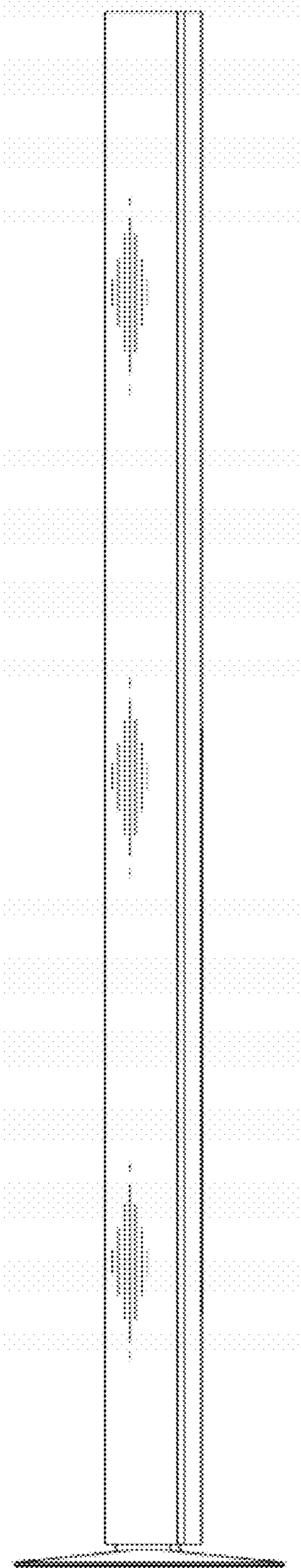


FIG. 5

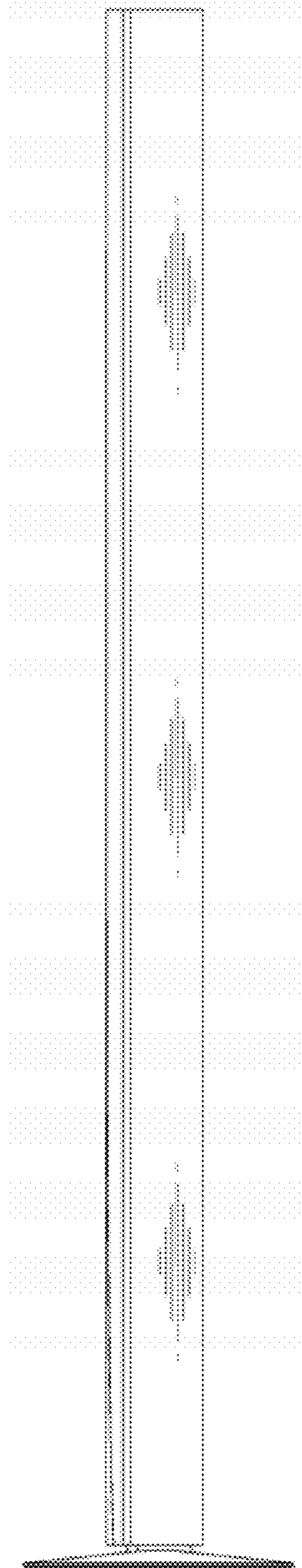


FIG. 6

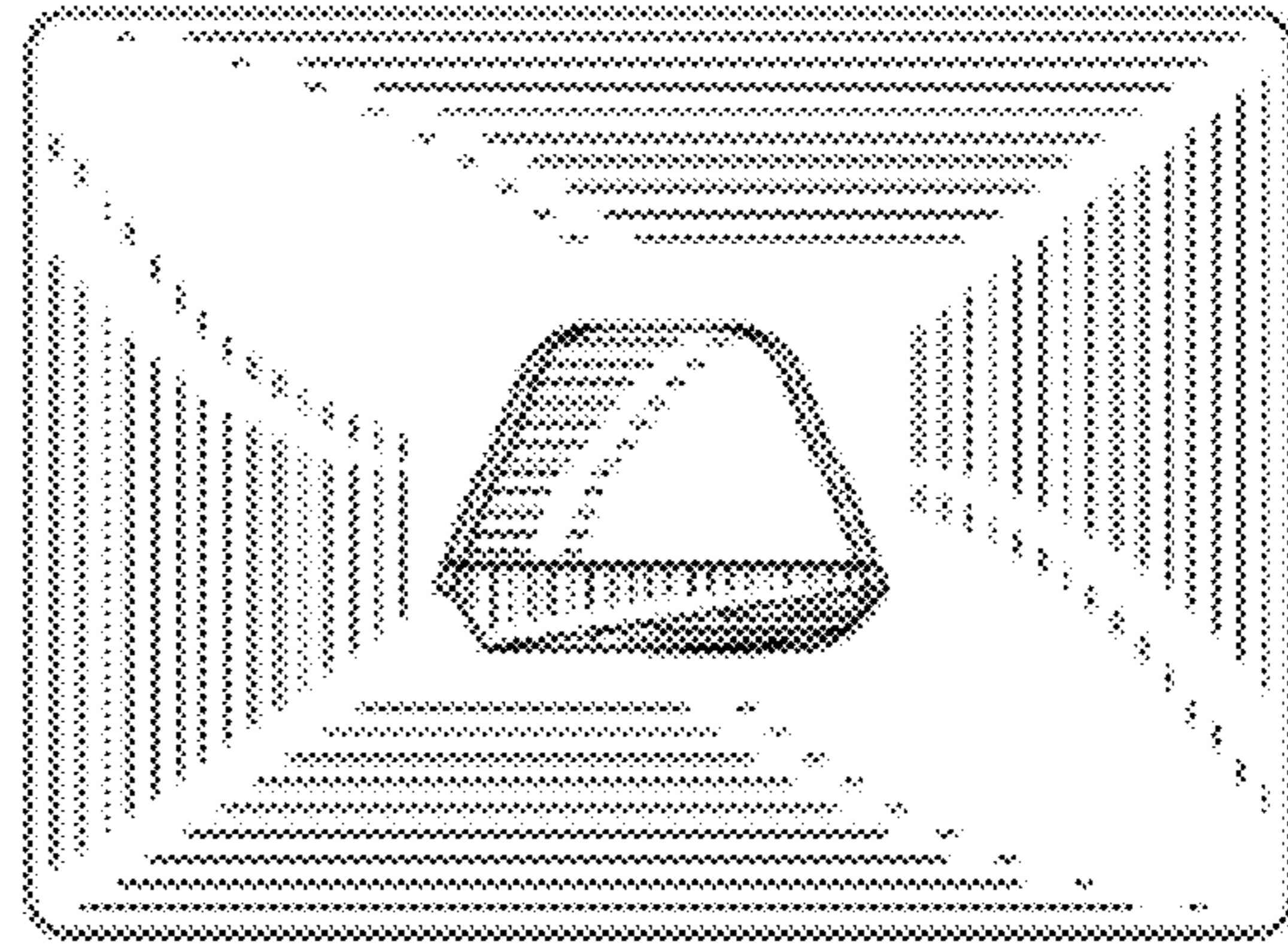


FIG. 7

