



US00D656483S

(12) **United States Design Patent**
Colquhoun

(10) **Patent No.:** **US D656,483 S**
(45) **Date of Patent:** **** Mar. 27, 2012**

(54) **AUDIO PLAYER WITH DOCKING STATION**

(56) **References Cited**

(75) Inventor: **Charles Colquhoun**, London (GB)

U.S. PATENT DOCUMENTS

(73) Assignee: **Roberts Radio Limited** (GB)

D556,732 S * 12/2007 Chan D14/168
D563,387 S * 3/2008 Aquillano D14/214
D587,675 S * 3/2009 Xie D14/172
7,689,197 B2 * 3/2010 Laude et al. 181/198

* cited by examiner

(**) Term: **14 Years**

Primary Examiner — Nanda Bondade

(21) Appl. No.: **29/379,875**

(74) *Attorney, Agent, or Firm* — Holland & Hart LLP

(22) Filed: **Nov. 24, 2010**

(57) **CLAIM**

The ornamental design for an audio player with docking station, as shown and described.

(30) **Foreign Application Priority Data**

May 28, 2010 (EP) 001713207-0001

(51) **LOC (9) Cl.** **14-01**

(52) **U.S. Cl.** **D14/209.1**

(58) **Field of Classification Search** D14/204,
D14/209.1, 210–216, 167–168, 172, 188,
D14/496–499; 181/143–144, 147–148, 150–153,
181/157, 198–199; 381/300–303, 306, 332–333,
381/336, 345, 361–364, 386–388

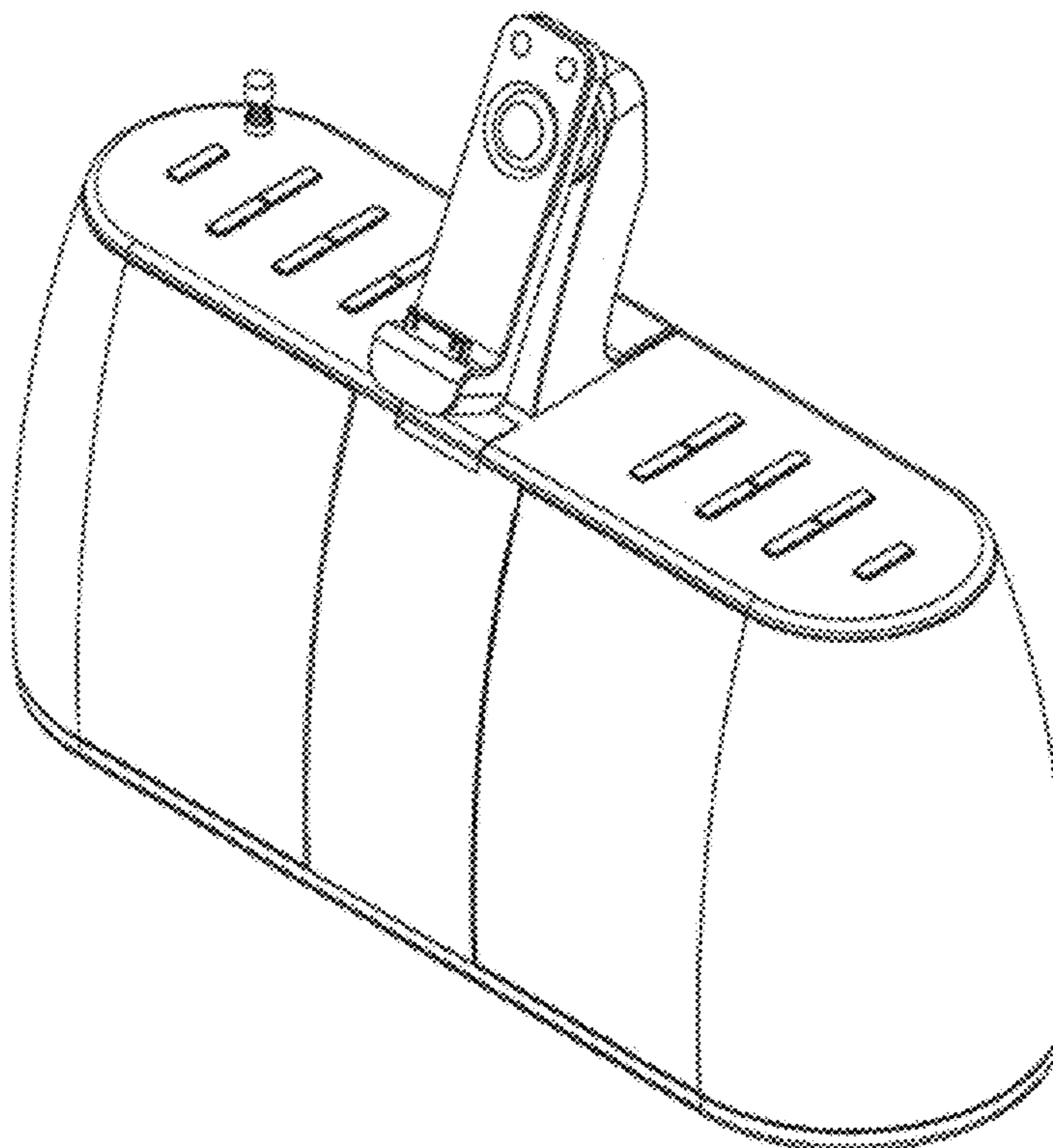
See application file for complete search history.

DESCRIPTION

FIG. 1 is a front perspective view of the audio player with docking station, showing my new design;
FIG. 2 is a front view of the design illustrated in FIG. 1;
FIG. 3 is a rear view of the design illustrated in FIG. 1;
FIG. 4 is a left side view of the design illustrated in FIG. 1, the right side view being a mirror image thereof;
FIG. 5 is a top view of the design illustrated in FIG. 1;
FIG. 6 is a bottom view of the design illustrated in FIG. 1; and,
FIG. 7 is a rear perspective view of the design illustrated in FIG. 1.

The broken line showing on the drawing disclosure is for illustrative purposes only and forms no part of the claimed design.

1 Claim, 7 Drawing Sheets



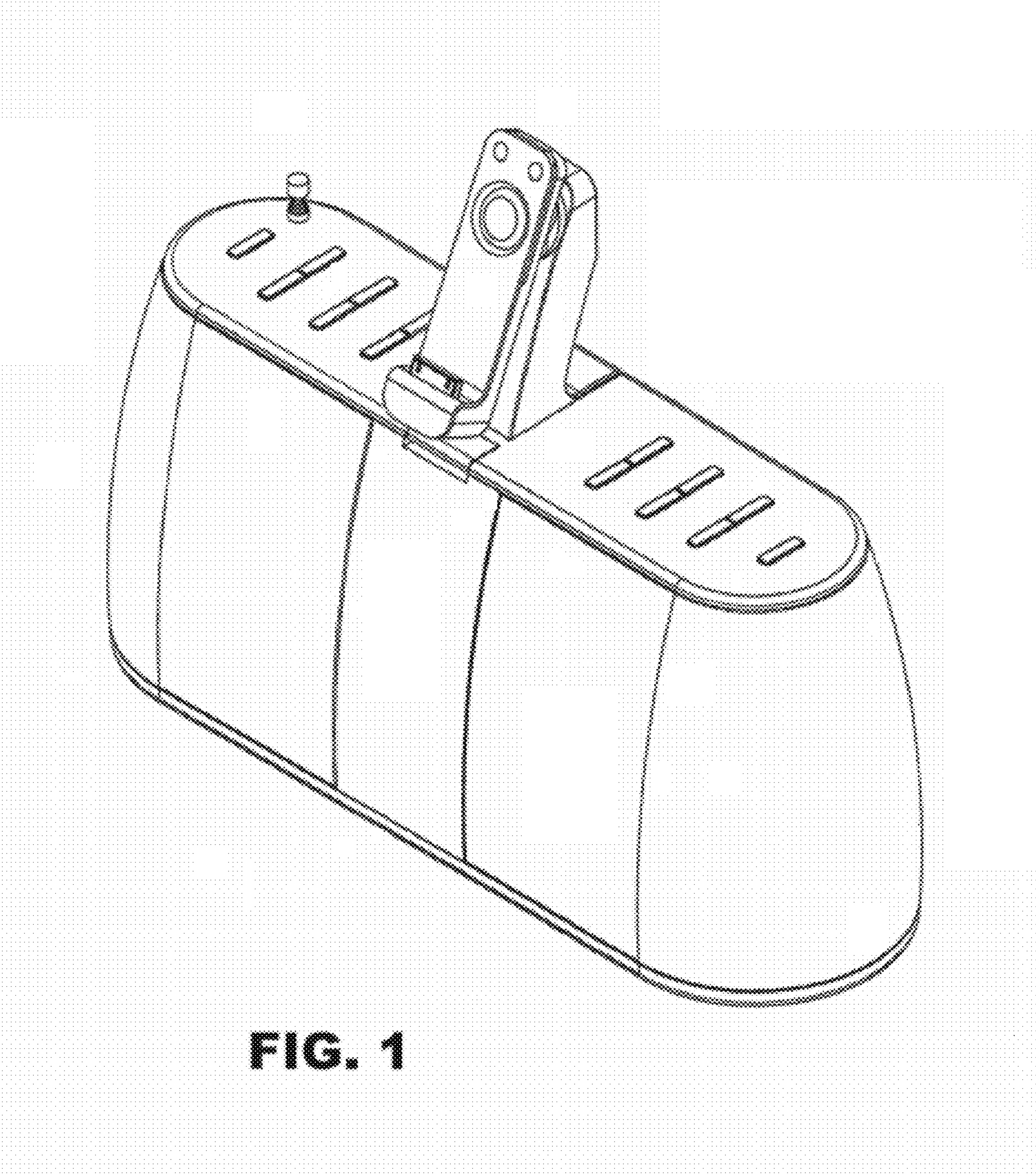


FIG. 1

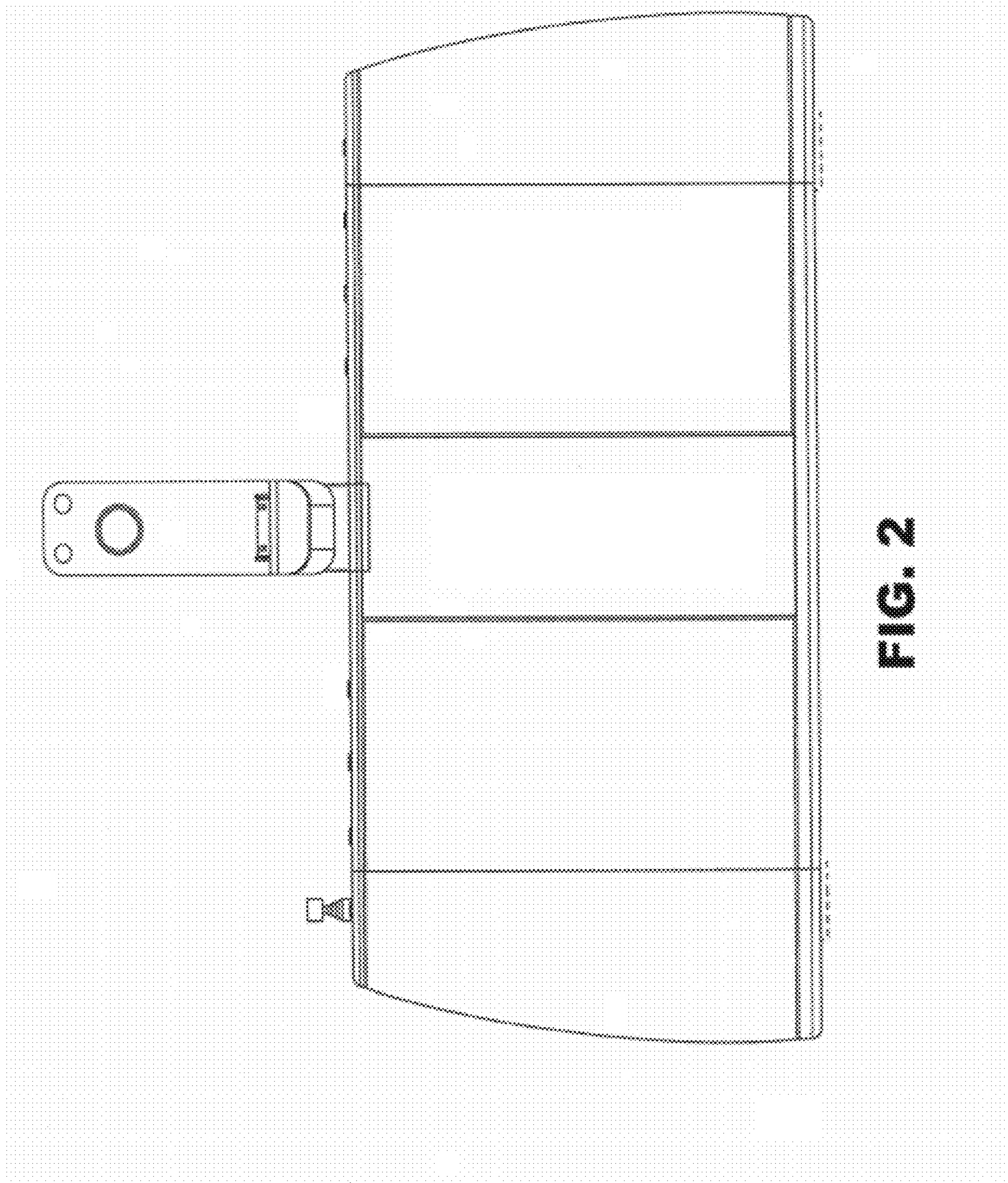


FIG. 2

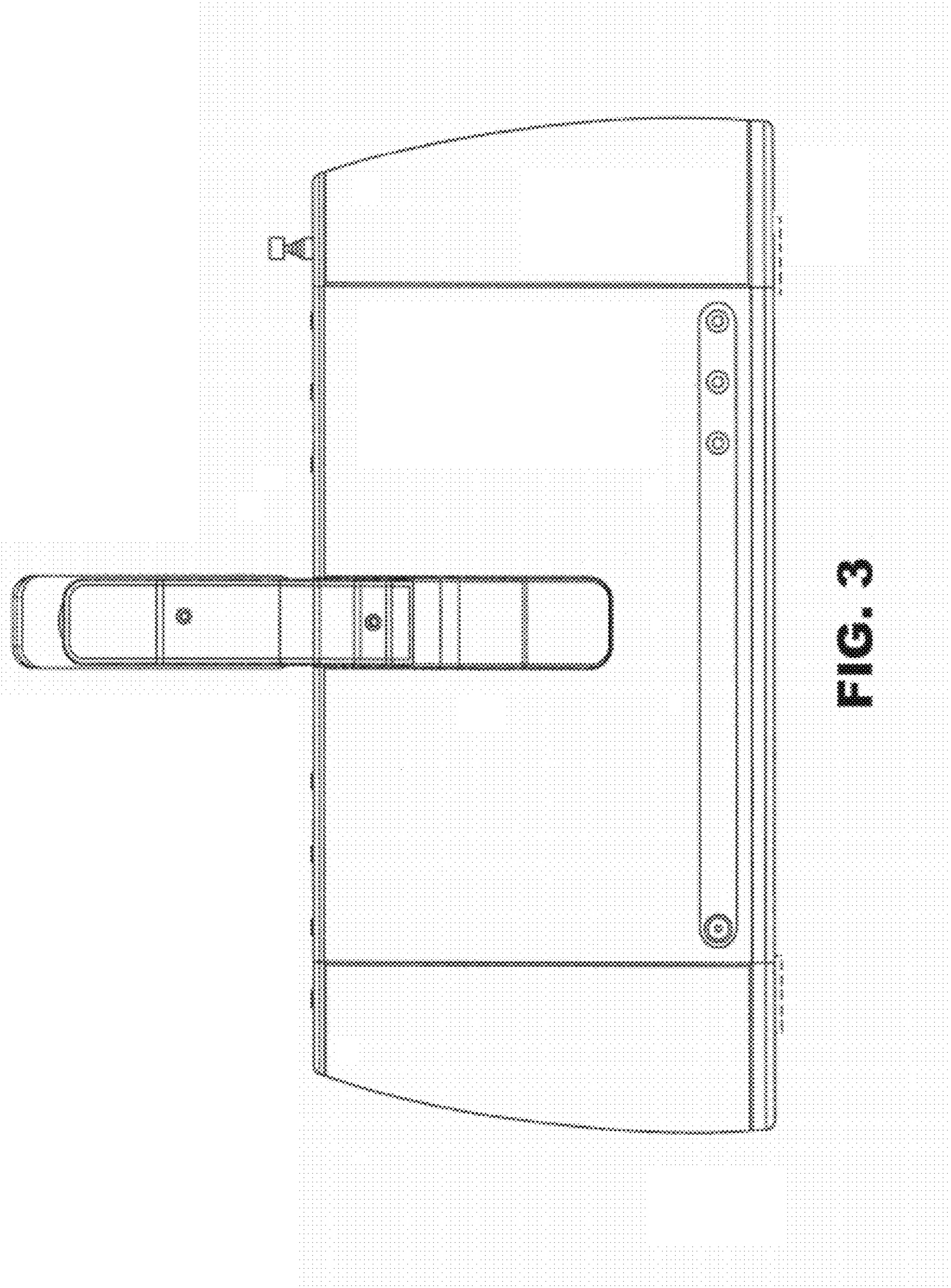


FIG. 3

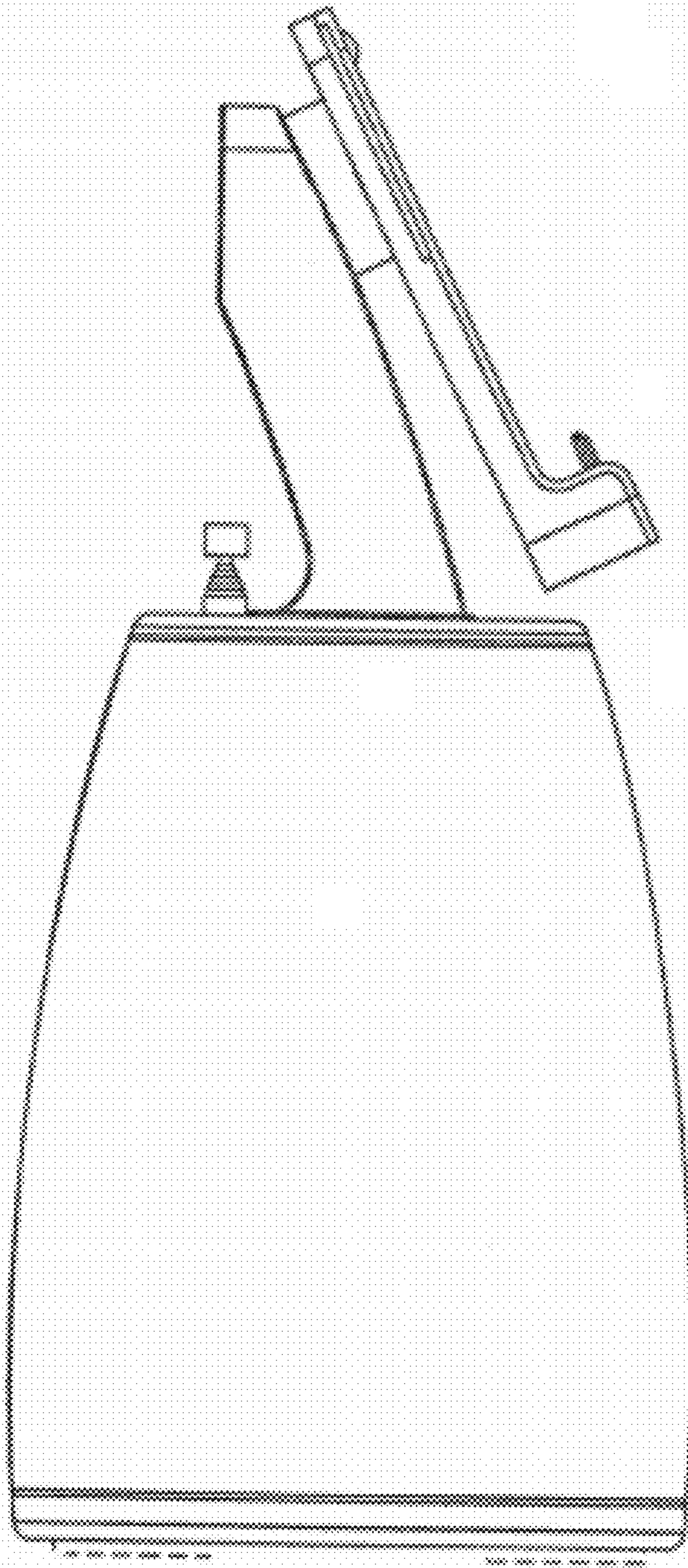


FIG. 4

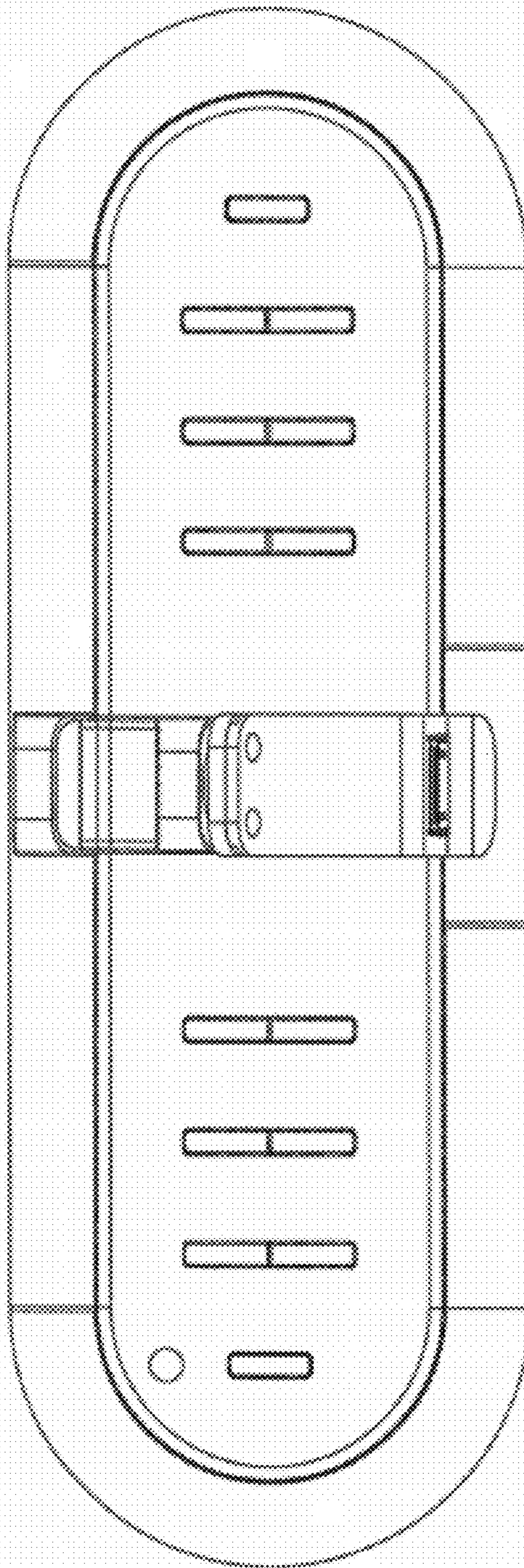


FIG. 5

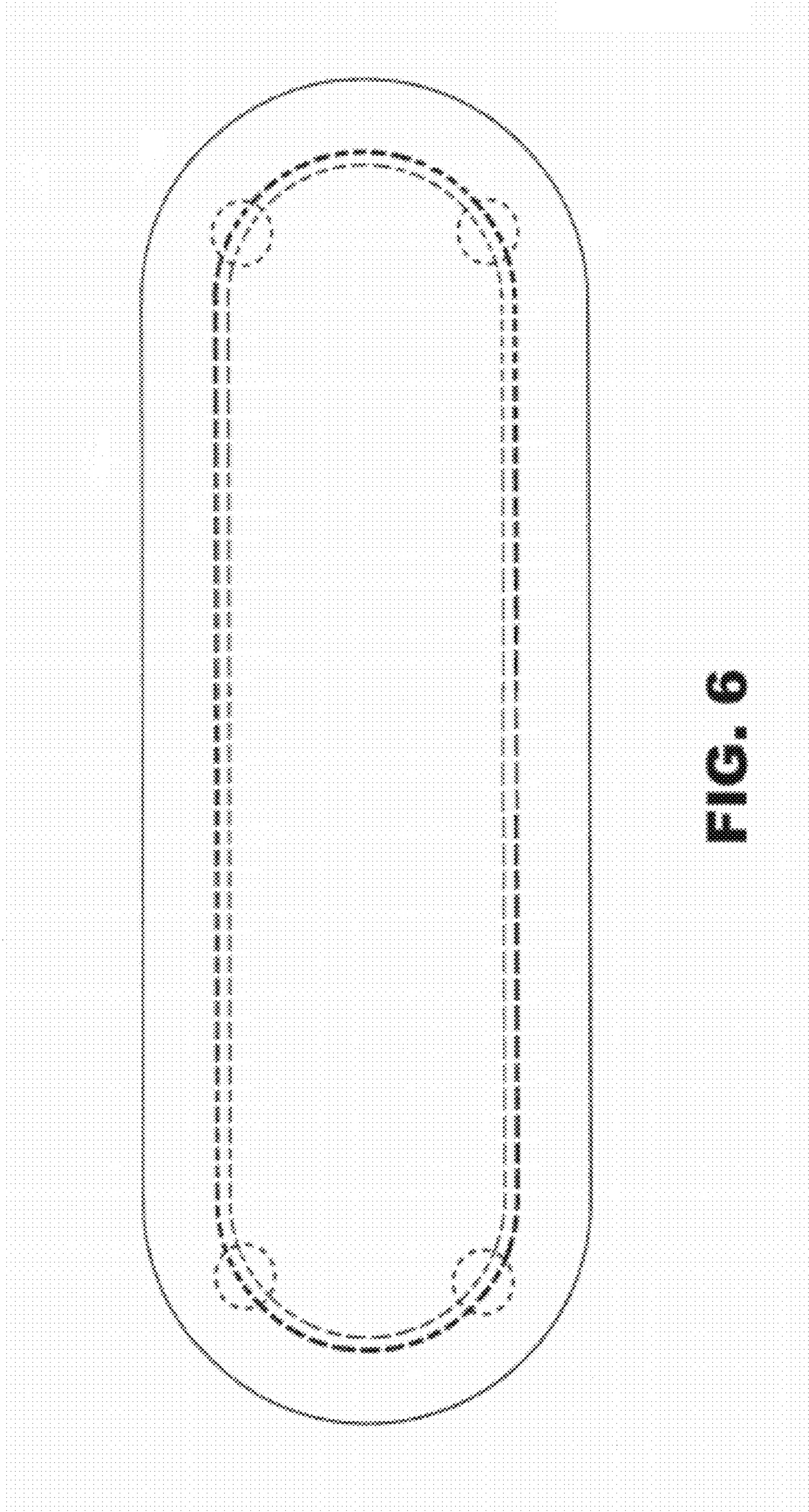


FIG. 6

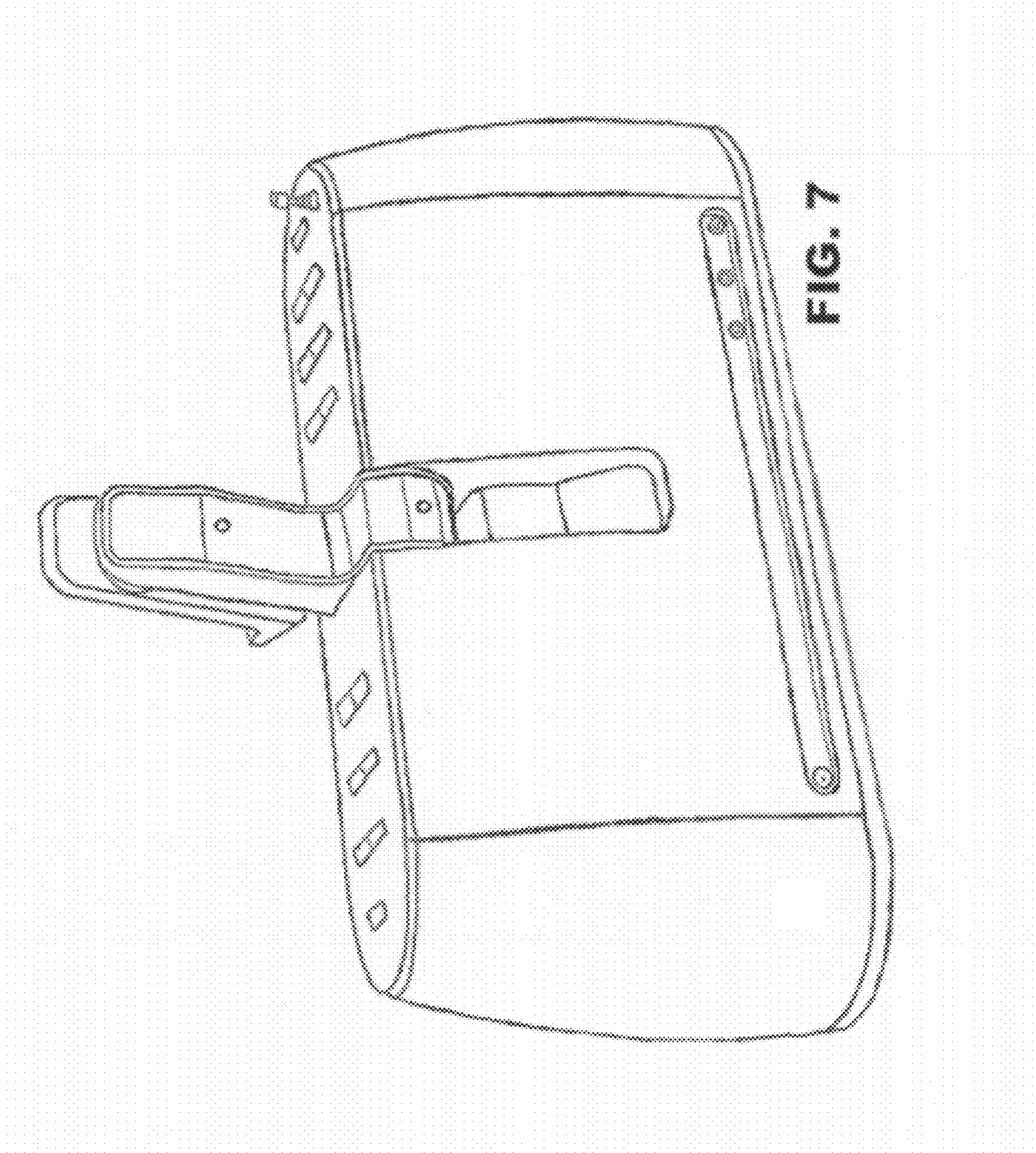


FIG. 7