



US00D656482S

(12) **United States Design Patent**  
**Colquhoun**

(10) **Patent No.:** **US D656,482 S**  
(45) **Date of Patent:** **\*\* Mar. 27, 2012**

(54) **AUDIO PLAYER WITH DOCKING STATION**

(56) **References Cited**

(75) Inventor: **Charles Colquhoun**, London (GB)

U.S. PATENT DOCUMENTS

(73) Assignee: **Roberts Radio Limited** (GB)

D538,787 S \* 3/2007 Tsai ..... D14/209.1  
D542,279 S \* 5/2007 Chan ..... D14/216  
D577,001 S \* 9/2008 Garrett ..... D14/168  
D625,289 S \* 10/2010 Hao et al. .... D14/209.1

(\*\*) Term: **14 Years**

\* cited by examiner

(21) Appl. No.: **29/379,869**

*Primary Examiner* — Nanda Bondade

(22) Filed: **Nov. 24, 2010**

(74) *Attorney, Agent, or Firm* — Holland & Hart LLP

(30) **Foreign Application Priority Data**

(57) **CLAIM**

The ornamental design for an audio player with docking station, as shown and described.

May 28, 2010 (EP) ..... 001713207-0002

(51) **LOC (9) Cl.** ..... **14-01**

(52) **U.S. Cl.** ..... **D14/209.1**

(58) **Field of Classification Search** ..... D14/204,

D14/209.1, 210–216, 167–168, 172, 188,

D14/496–499; 181/143–144, 147–148, 150–153,

181/157, 198–199; 381/300–303, 306, 332–333,

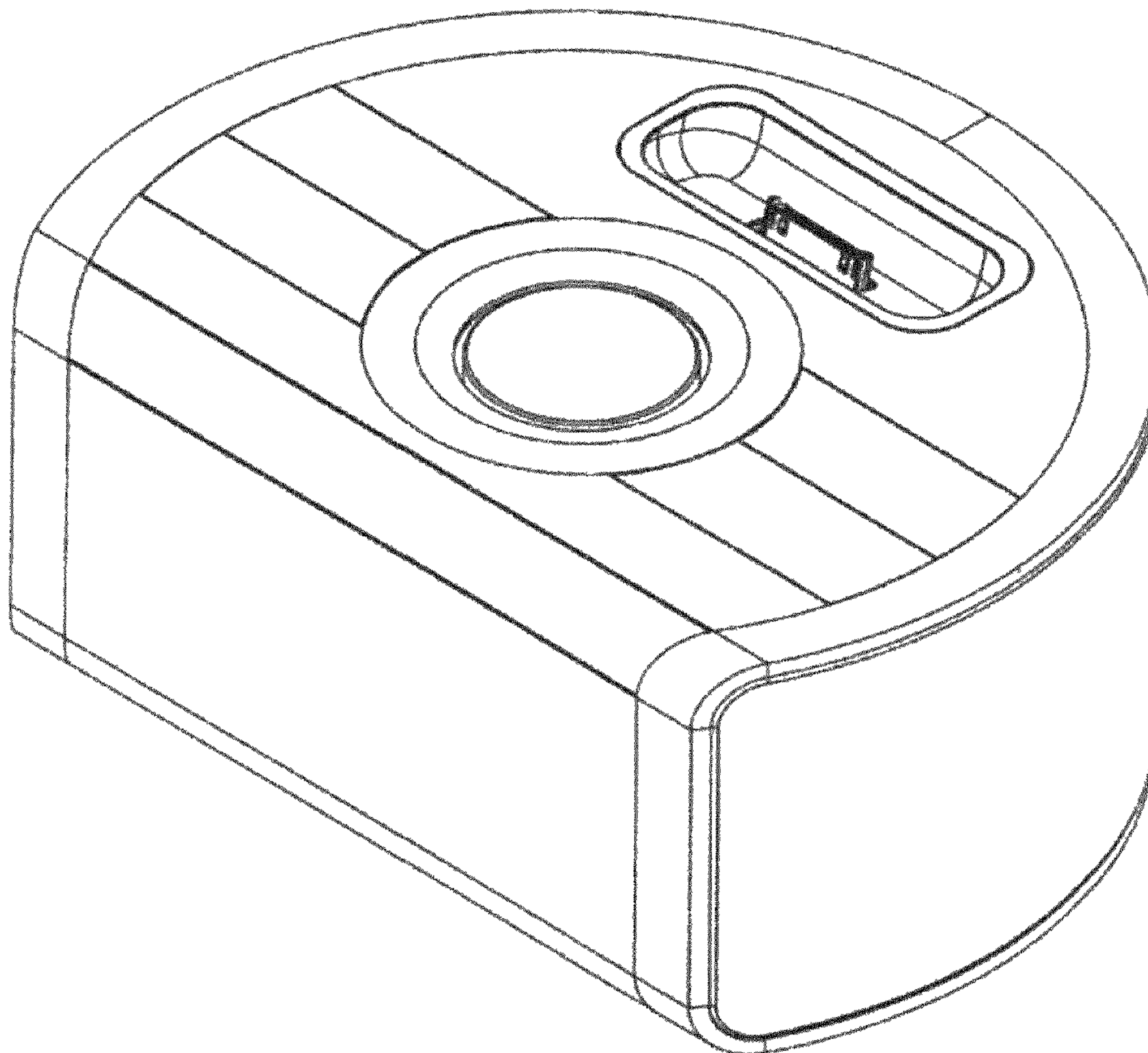
381/336, 345, 361–364, 386–388

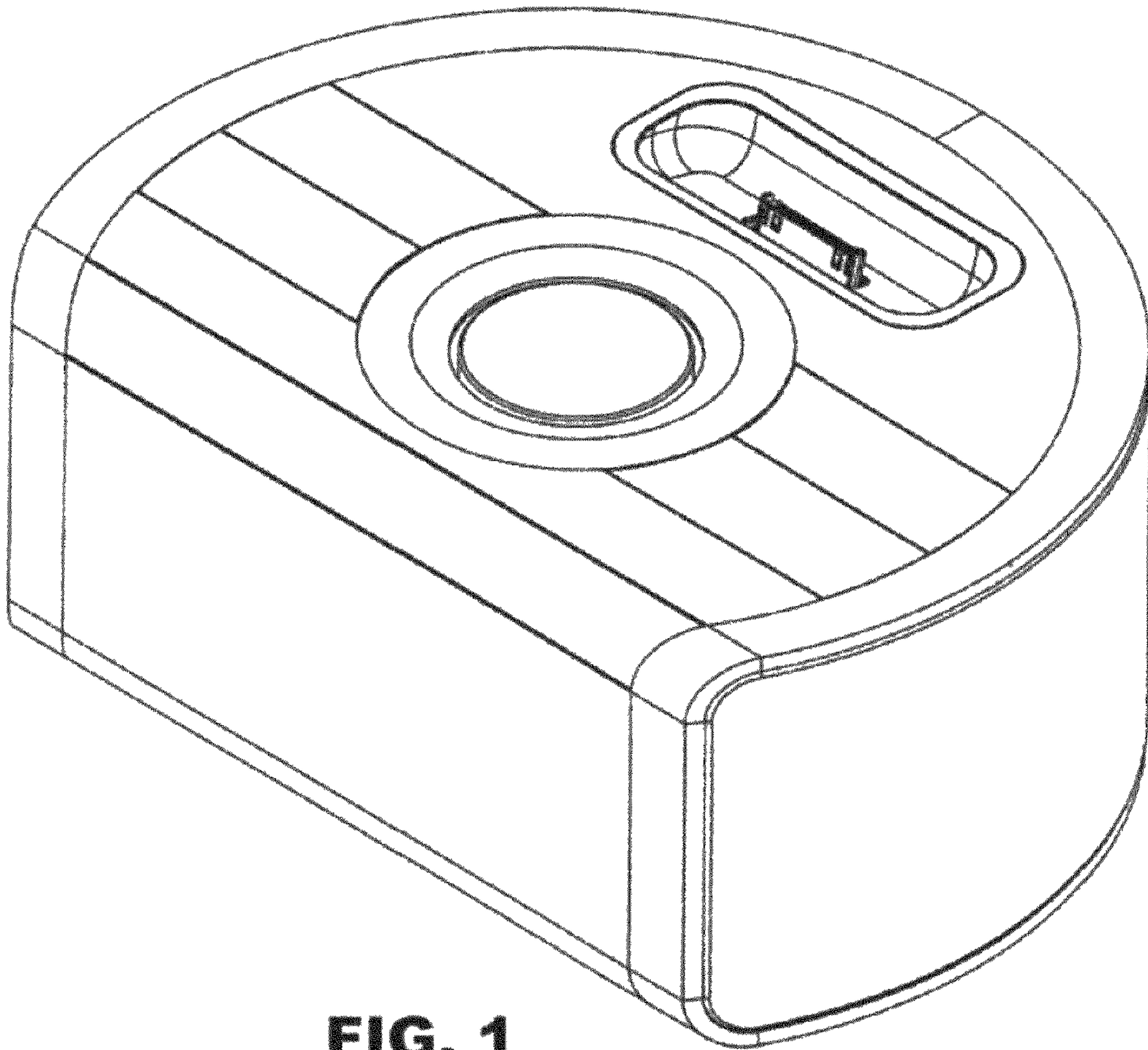
See application file for complete search history.

**DESCRIPTION**

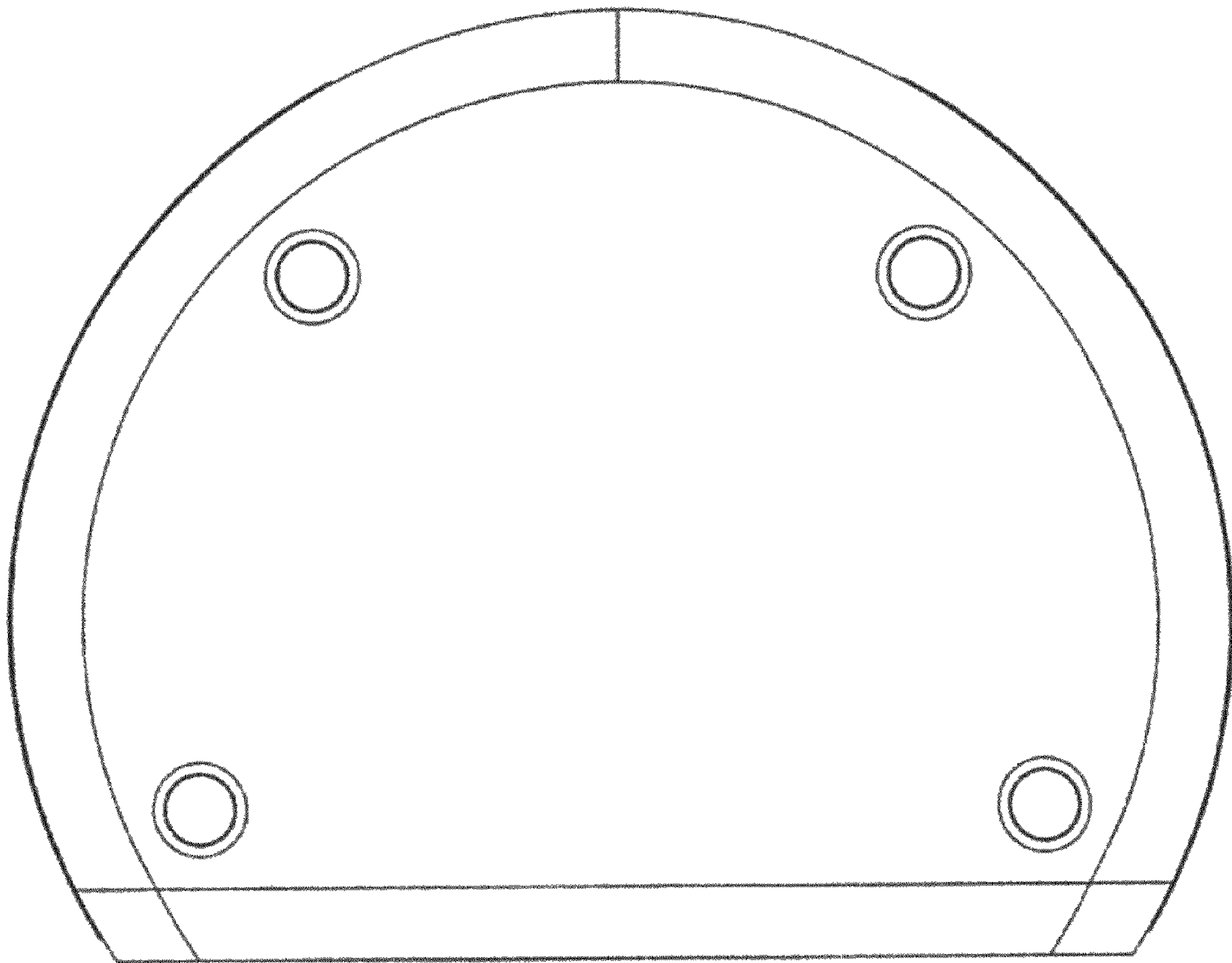
FIG. 1 is a front perspective view of the audio player with docking station, showing my new design; FIG. 2 is a bottom view of the design illustrated in FIG. 1; FIG. 3 is a front view of the design illustrated in FIG. 1; FIG. 4 is a rear view of the design illustrated in FIG. 1; FIG. 5 is a right side view of the design illustrated in FIG. 1, the left side view being a mirror image thereof; and, FIG. 6 is a top view of the design illustrated in FIG. 1. The broken line showing on the drawing disclosure is for illustrative purposes only and forms no part of the claimed design.

**1 Claim, 6 Drawing Sheets**



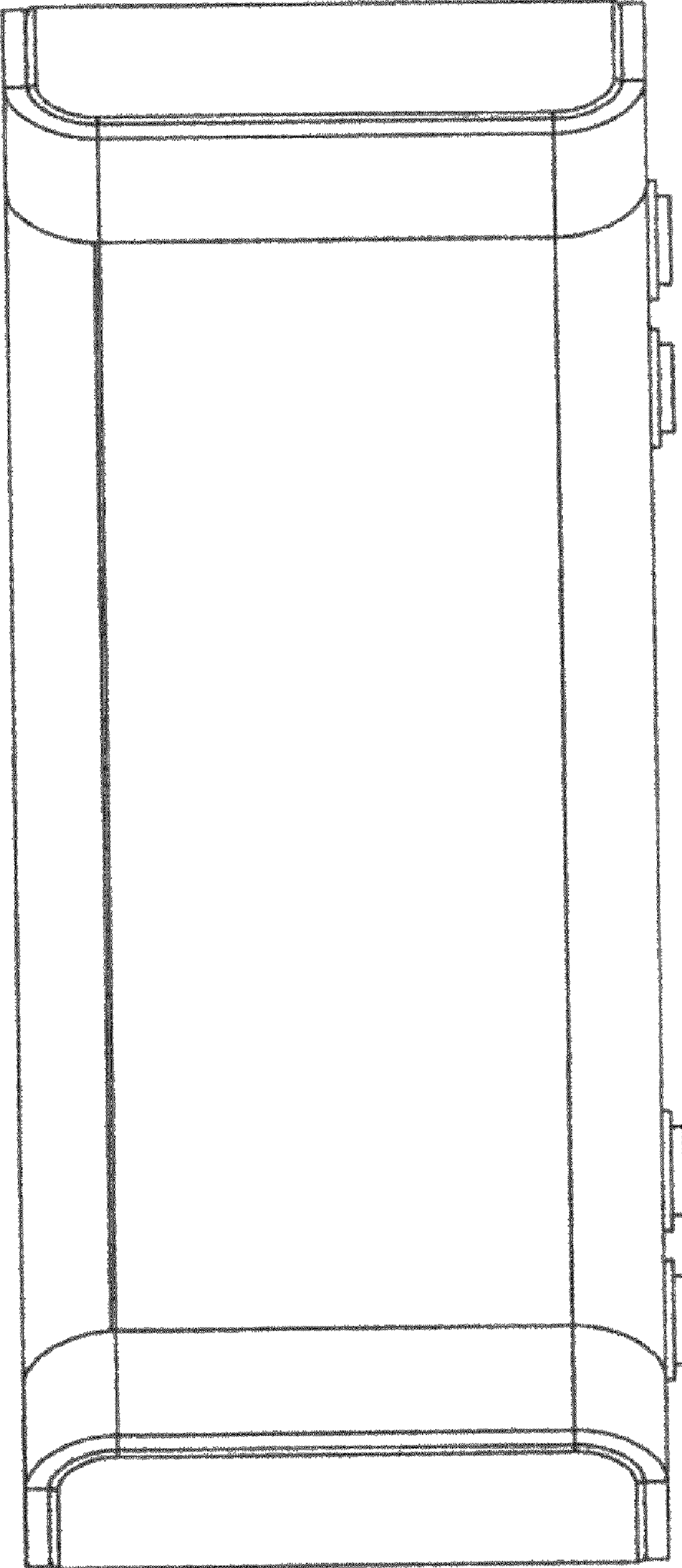


**FIG. 1**

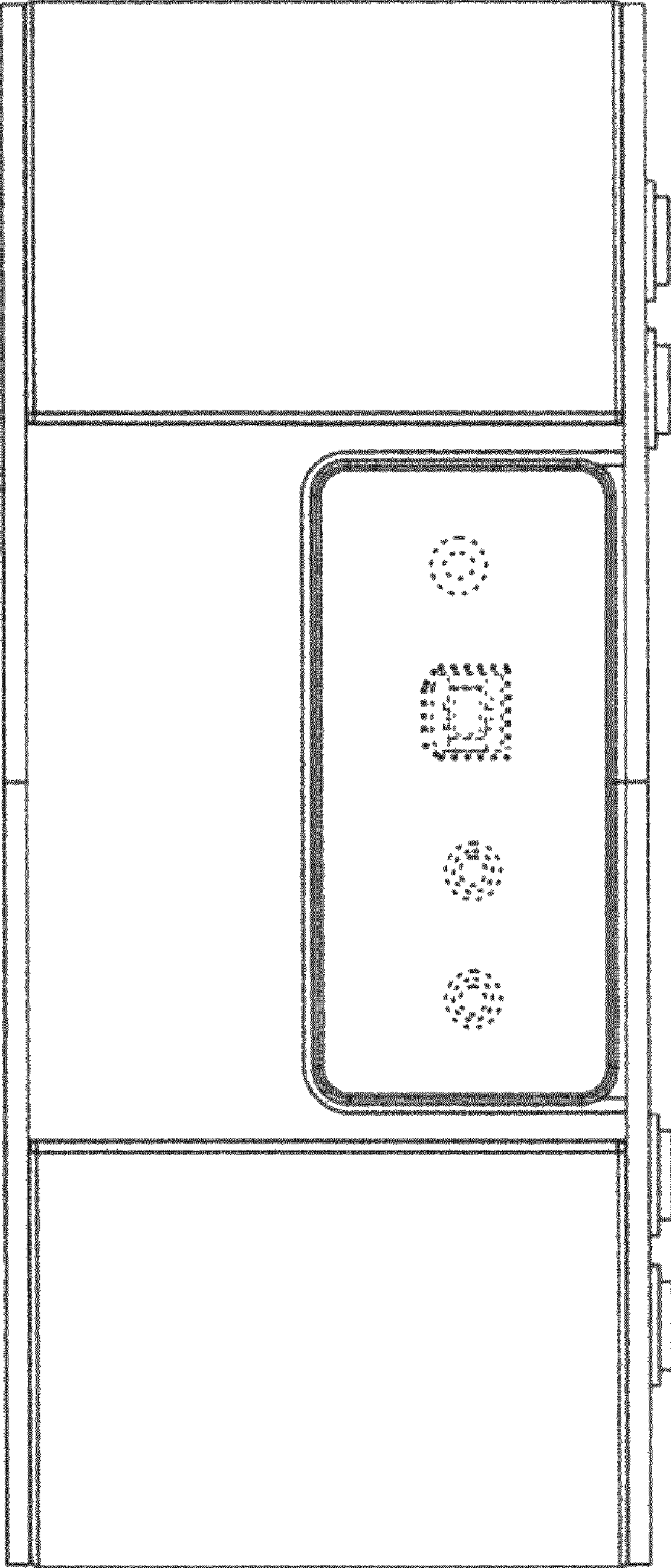


**FIG. 2**

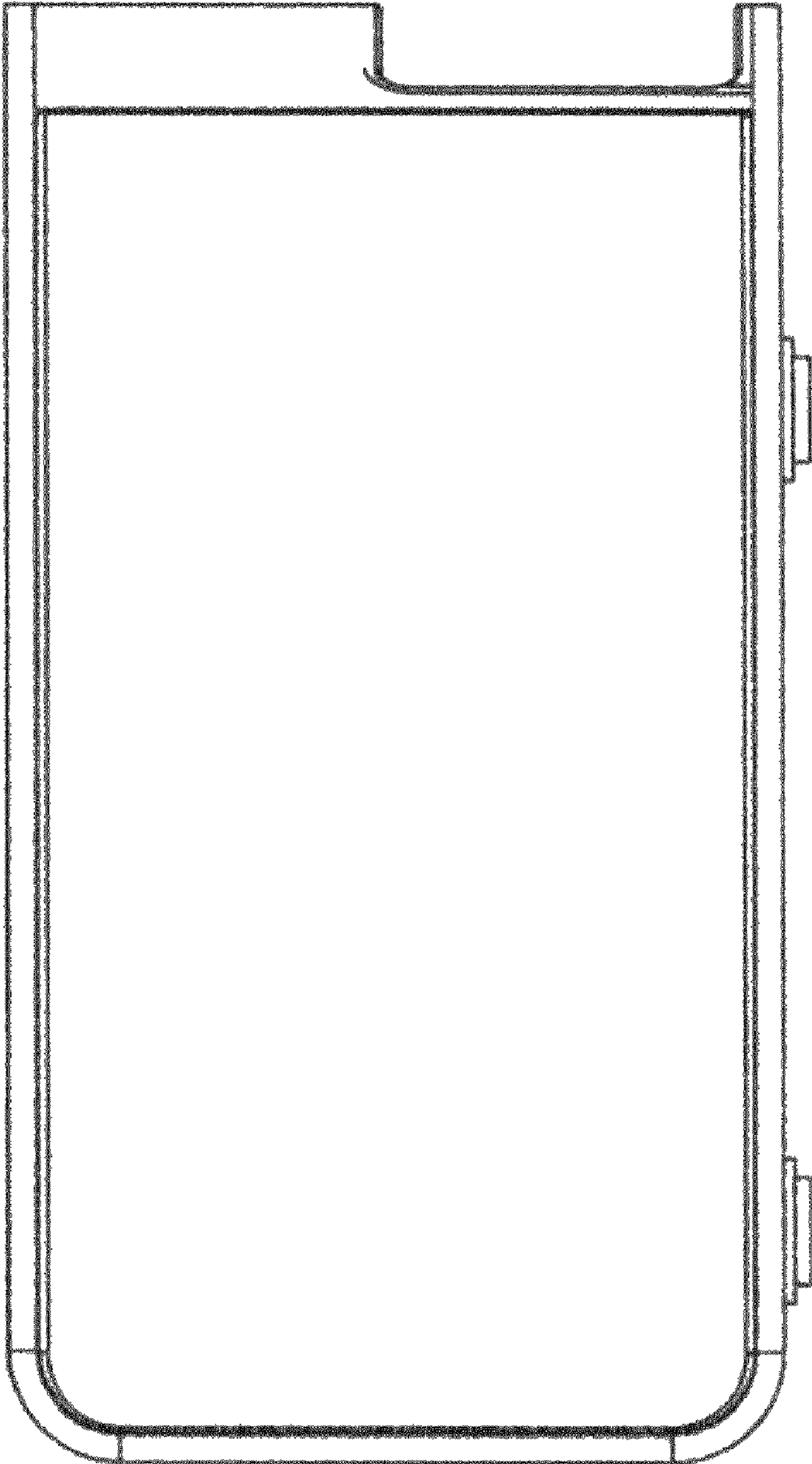




**FIG. 3**

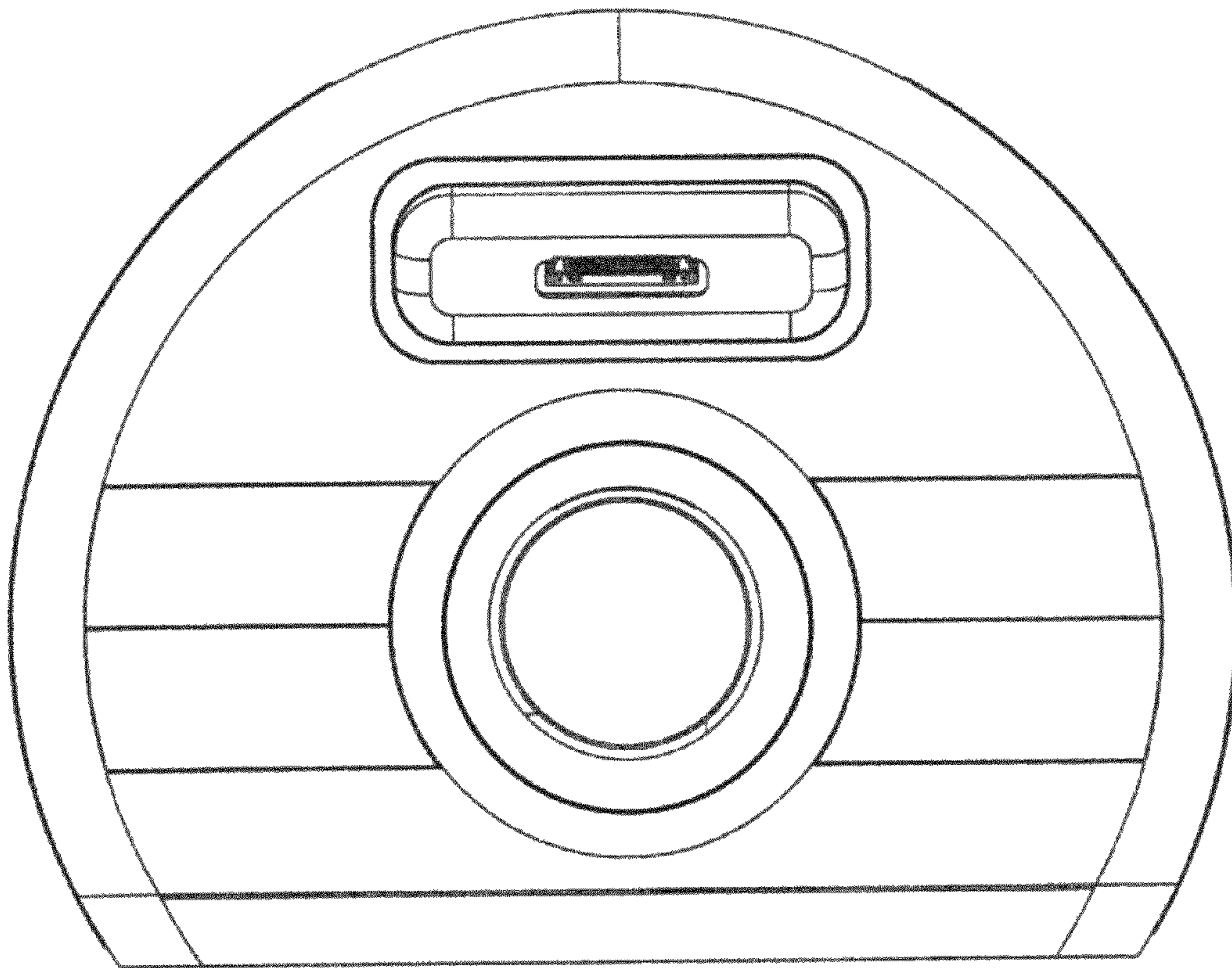


**FIG. 4**



**FIG. 5**





**FIG. 6**