



US00D656481S

(12) **United States Design Patent**
McManigal

(10) **Patent No.:** **US D656,481 S**

(45) **Date of Patent:** **** Mar. 27, 2012**

(54) **EARBUD WITH CURVED SURFACES**

(75) Inventor: **Scott McManigal**, Irvine, CA (US)

(73) Assignee: **Vizio Inc.**, Irvine, CA (US)

(**) Term: **14 Years**

(21) Appl. No.: **29/384,620**

(22) Filed: **Feb. 1, 2011**

(51) **LOC (9) Cl.** **14-01**

(52) **U.S. Cl.** **D14/205**

(58) **Field of Classification Search** D14/205,
D14/206, 223; 181/129, 130, 135; 379/430,
379/431, 420.04, 420.03; 381/380, 381,
381/370, 371; D24/174; 455/90.3, 575.1
See application file for complete search history.

(56) **References Cited**

U.S. PATENT DOCUMENTS

4,965,838	A *	10/1990	Kamon et al.	381/380
D318,865	S *	8/1991	Ichikawa	D14/205
D337,589	S *	7/1993	Wada	D14/223
5,809,159	A *	9/1998	Lee	381/380
6,122,369	A *	9/2000	Hwang et al.	379/420.04
6,411,722	B1 *	6/2002	Wolf	381/371
6,668,064	B1 *	12/2003	Lin	381/380
6,810,987	B1 *	11/2004	DeKalb	181/129
D523,846	S *	6/2006	Lee	D14/205
D554,109	S *	10/2007	Ledbetter et al.	D14/223

D556,741	S *	12/2007	Yeo	D14/223
D557,689	S *	12/2007	Huang	D14/223
D568,291	S *	5/2008	Andre et al.	D14/205
D573,977	S *	7/2008	Ledbetter et al.	D14/205
D587,677	S *	3/2009	Andre et al.	D14/205
D589,491	S *	3/2009	Andre et al.	D14/205
D590,371	S *	4/2009	Leinvuo	D14/205
D601,126	S *	9/2009	Christopher et al.	D14/206
D641,009	S *	7/2011	Olodort et al.	D14/223
D641,738	S *	7/2011	Perez	D14/223

* cited by examiner

Primary Examiner — Paula Greene

(74) *Attorney, Agent, or Firm* — Law Office of Scott C. Harris, Inc.

(57) **CLAIM**

The ornamental design for an earbud with curved surfaces, as shown and described.

DESCRIPTION

FIG. 1 is a side perspective view of an earbud with curved surfaces showing my new design;

FIG. 2 is an opposite perspective view thereof;

FIG. 3 is a front elevational view thereof;

FIG. 4 is a rear elevational view thereof;

FIG. 5 is a top view thereof;

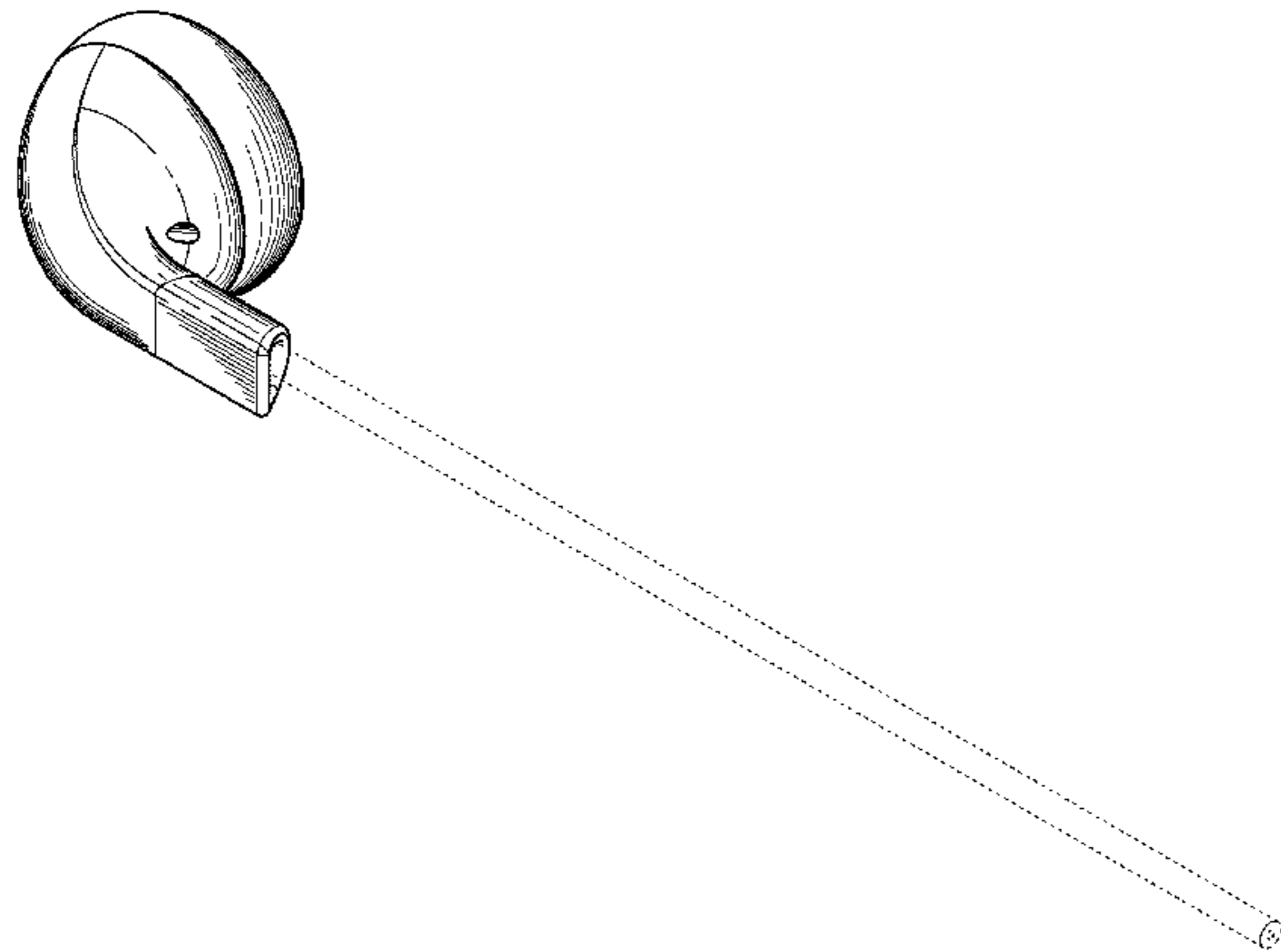
FIG. 6 is a bottom view thereof;

FIG. 7 is a side elevational view thereof; and,

FIG. 8 is an opposite side elevational view thereof.

The broken lines form no part of the claimed design.

1 Claim, 5 Drawing Sheets



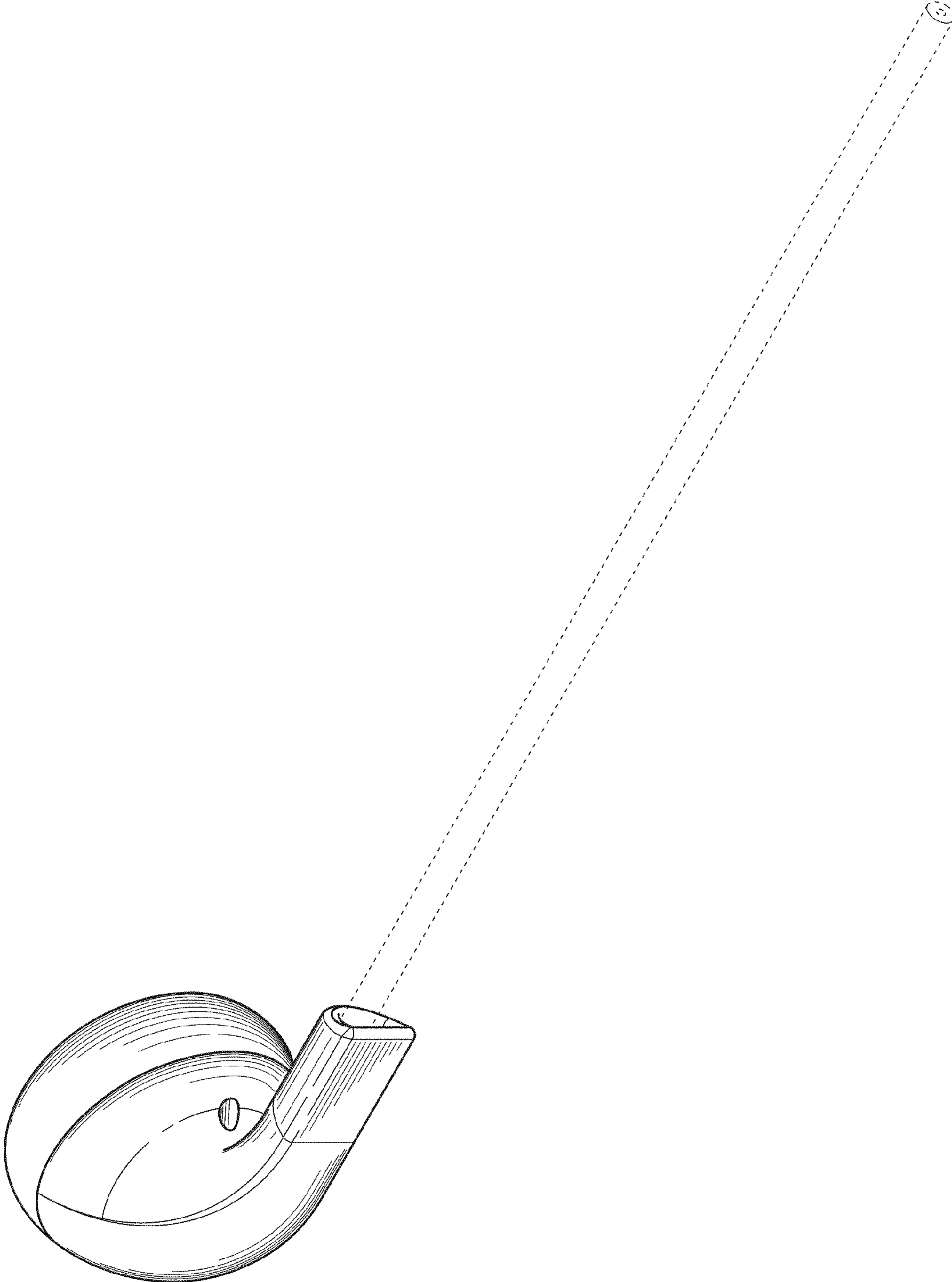


FIG. 1

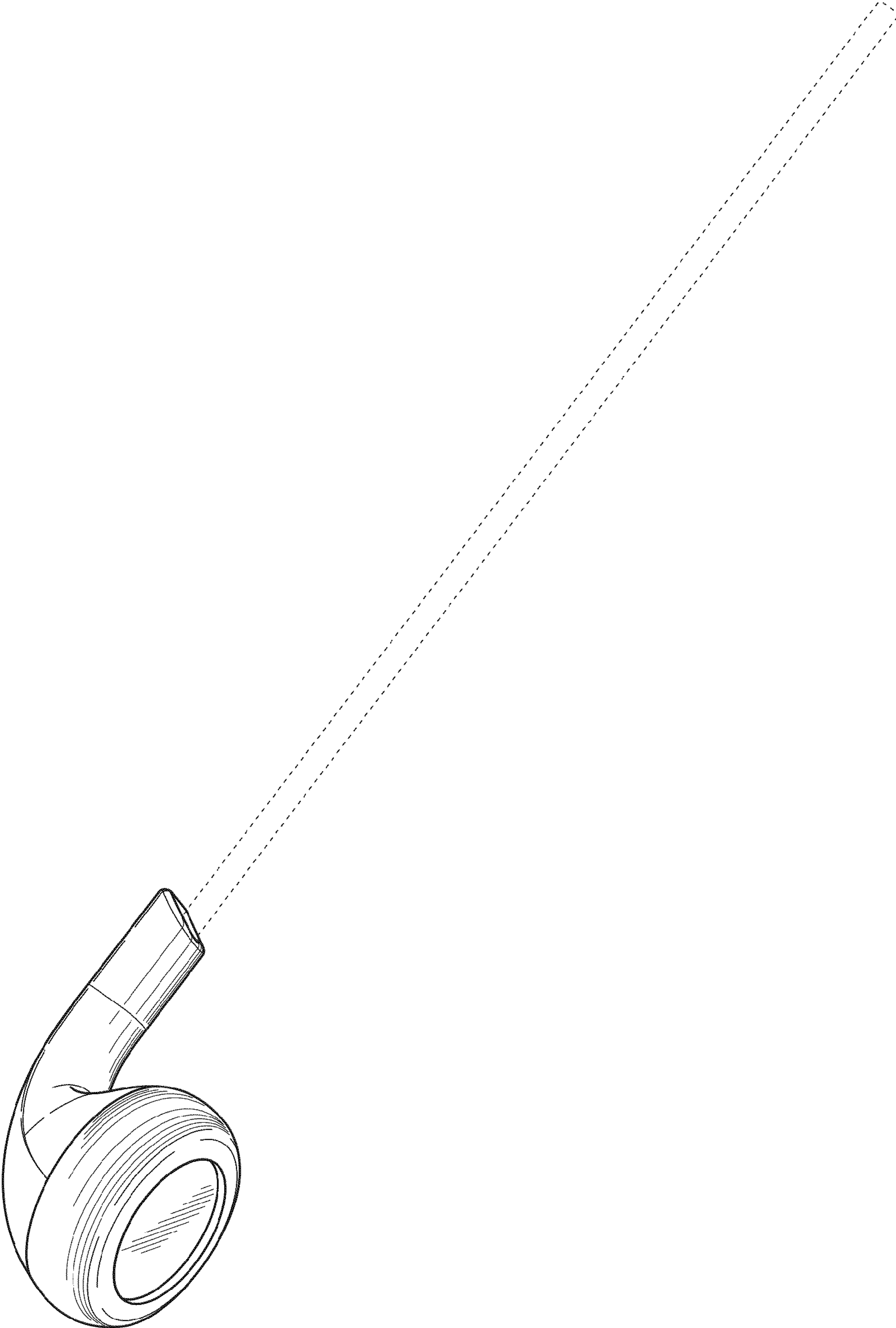


FIG. 2

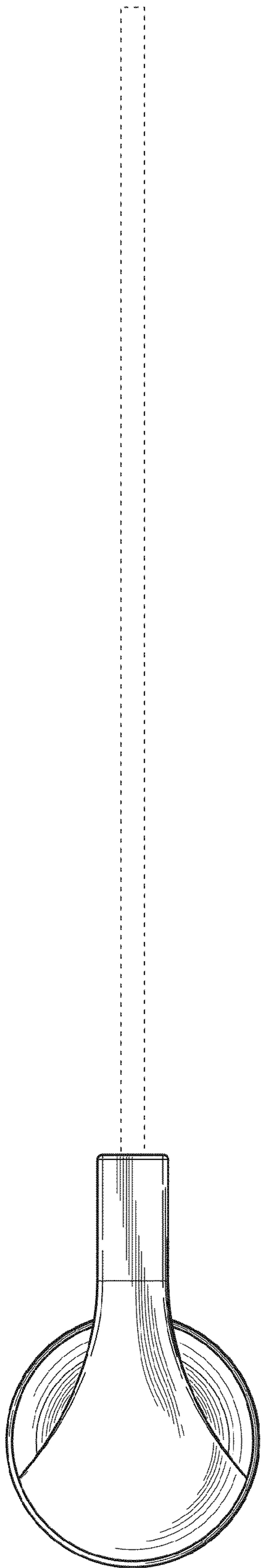


FIG. 3

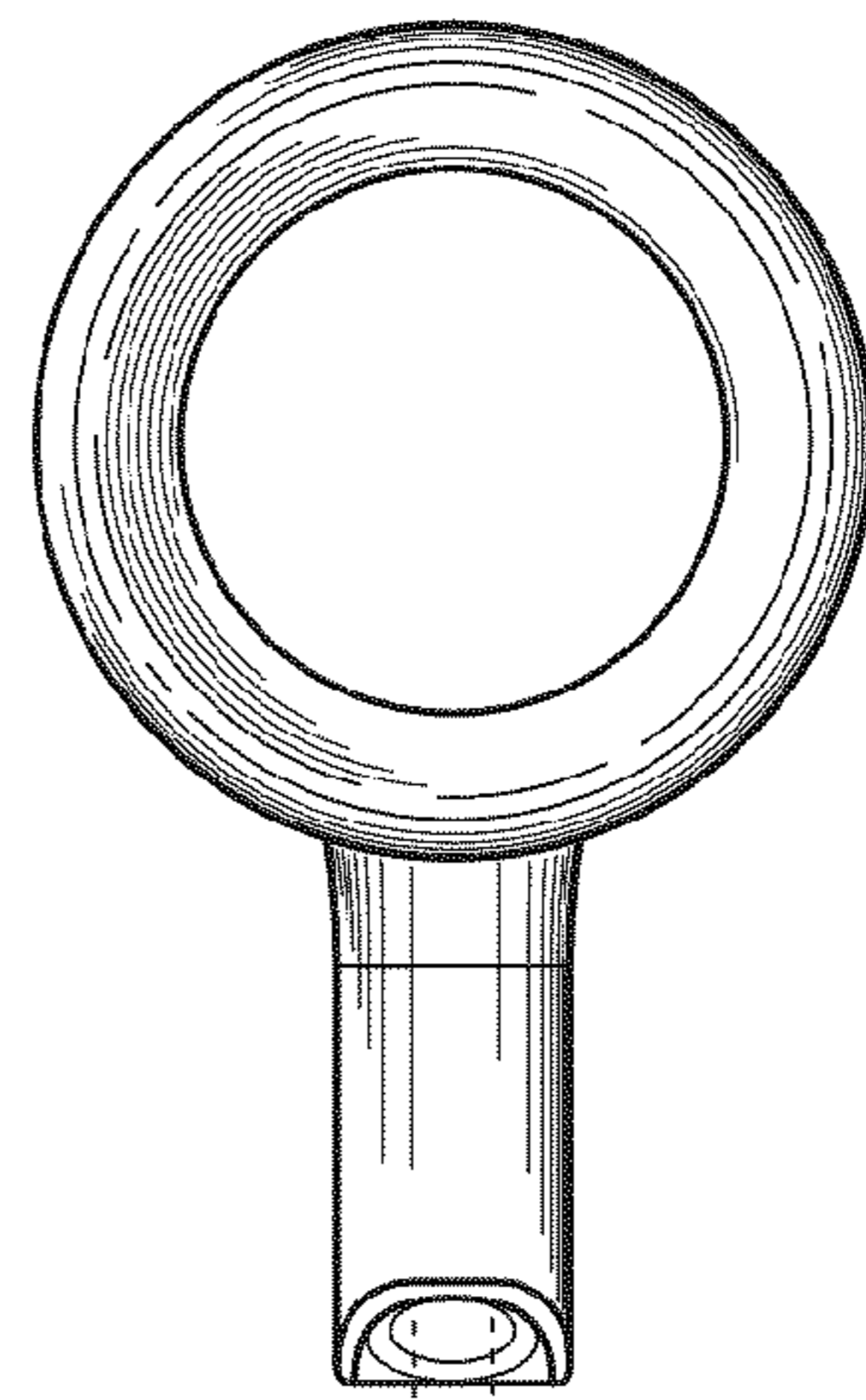


FIG. 4

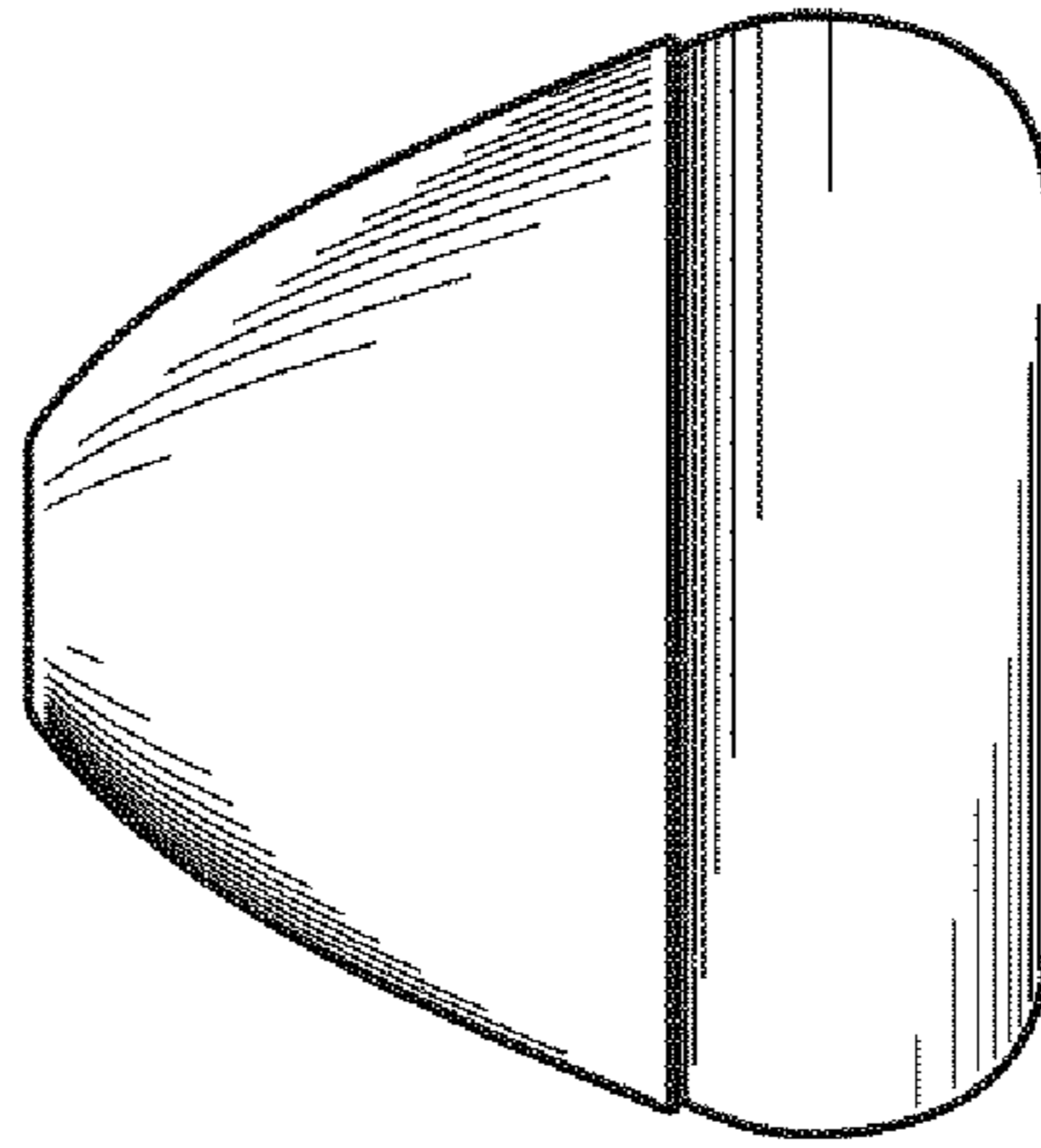


FIG. 5

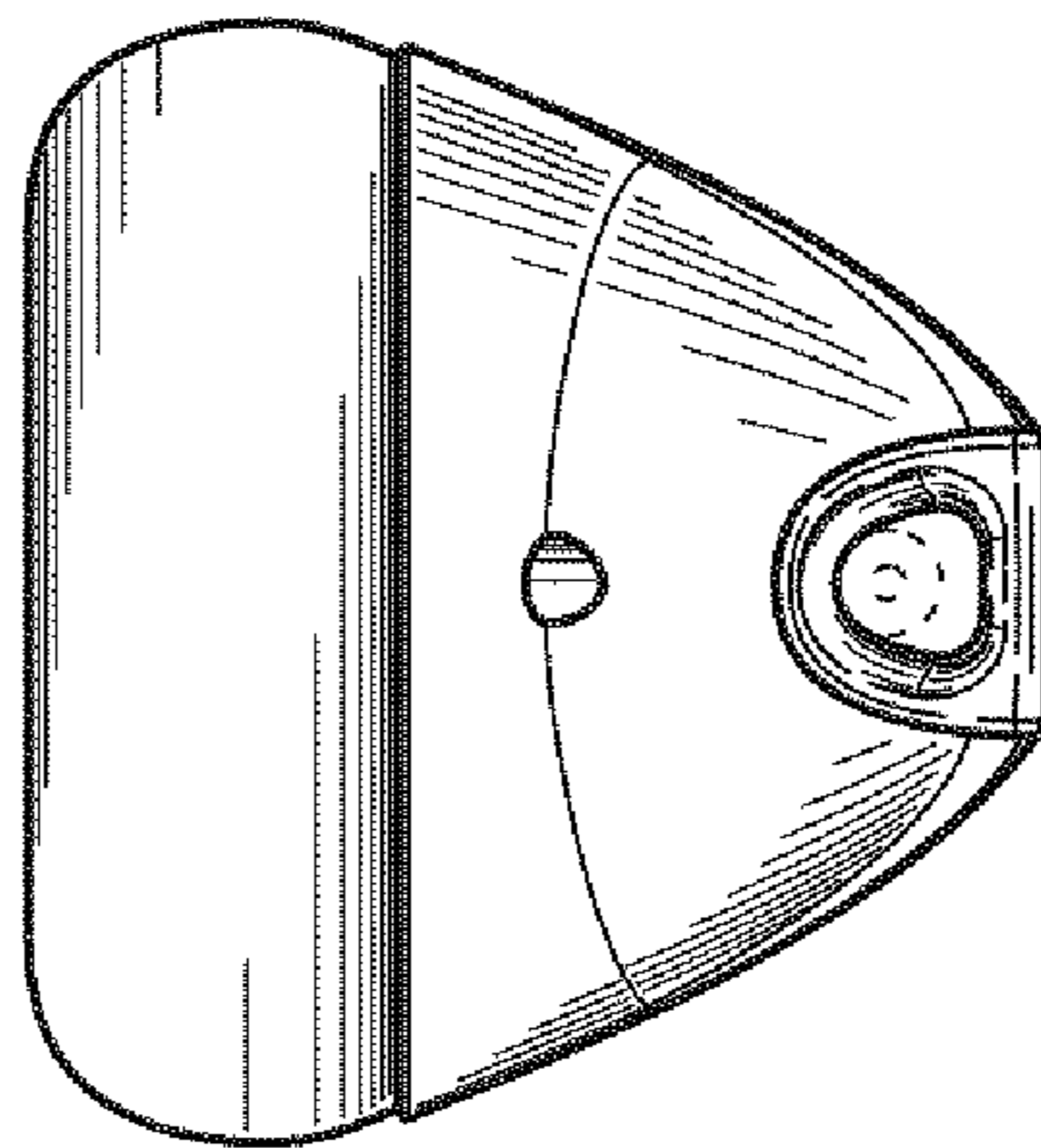


FIG. 6

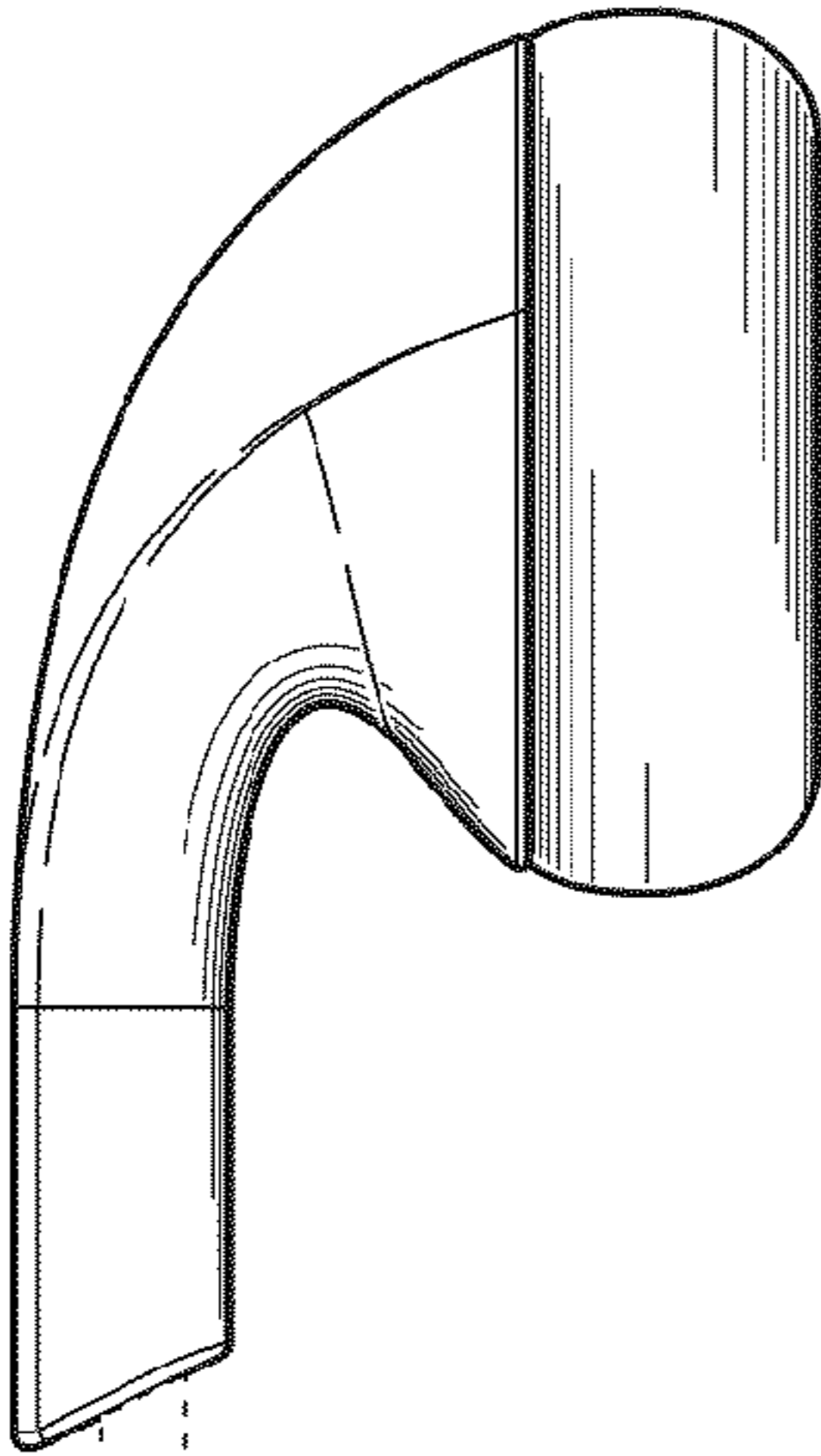


FIG. 7

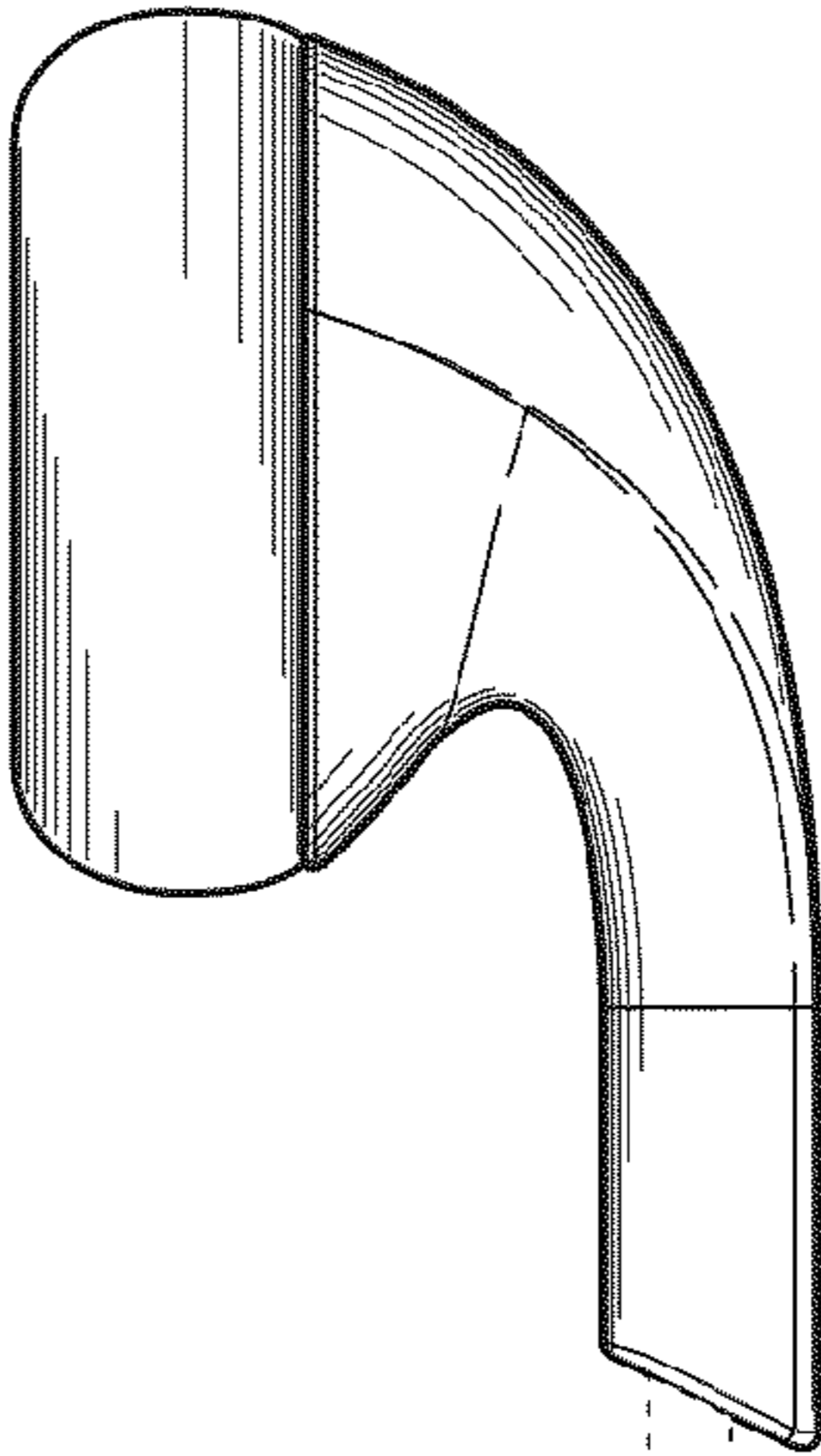


FIG. 8