



US00D656480S

(12) **United States Design Patent**  
**McManigal et al.**

(10) **Patent No.:** **US D656,480 S**

(45) **Date of Patent:** **\*\* Mar. 27, 2012**

(54) **HEADPHONE ASSEMBLY**

(75) Inventors: **Scott McManigal**, Irvine, CA (US);  
**William Wang**, Irvine, CA (US);  
**Matthew McRae**, Irvine, CA (US)

(73) Assignee: **Vizio Inc.**, Irvine, CA (US)

(\*\*) Term: **14 Years**

(21) Appl. No.: **29/382,622**

(22) Filed: **Jan. 5, 2011**

(51) **LOC (9) Cl.** ..... **14-01**

(52) **U.S. Cl.** ..... **D14/205**

(58) **Field of Classification Search** ..... D14/205,  
D14/206, 223; 181/129, 130, 135; 379/430,  
379/431; D29/112; 2/209; 455/90.3, 575.2  
See application file for complete search history.

(56) **References Cited**

U.S. PATENT DOCUMENTS

D263,043	S	*	2/1982	Petrie	.....	D14/205
4,821,318	A	*	4/1989	Wu	.....	379/430
5,113,428	A	*	5/1992	Fitzgerald	.....	455/575.2
D386,181	S	*	11/1997	Fisher	.....	D14/205
D449,290	S	*	10/2001	Taylor et al.	.....	D14/206
D456,379	S	*	4/2002	Fitzgerald	.....	D14/142

D541,257	S	*	4/2007	Thursfield	.....	D14/205
D552,077	S	*	10/2007	Brunner et al.	.....	D14/205
D603,371	S	*	11/2009	Boateng et al.	.....	D14/205
D617,769	S	*	6/2010	Birger	.....	D14/205
D633,471	S	*	3/2011	Sugiyama	.....	D14/205
D638,397	S	*	5/2011	McManigal	.....	D14/205
D641,725	S	*	7/2011	Chong et al.	.....	D14/205

\* cited by examiner

*Primary Examiner* — Paula Greene

(74) *Attorney, Agent, or Firm* — Law Office of Scott C. Harris, Inc.

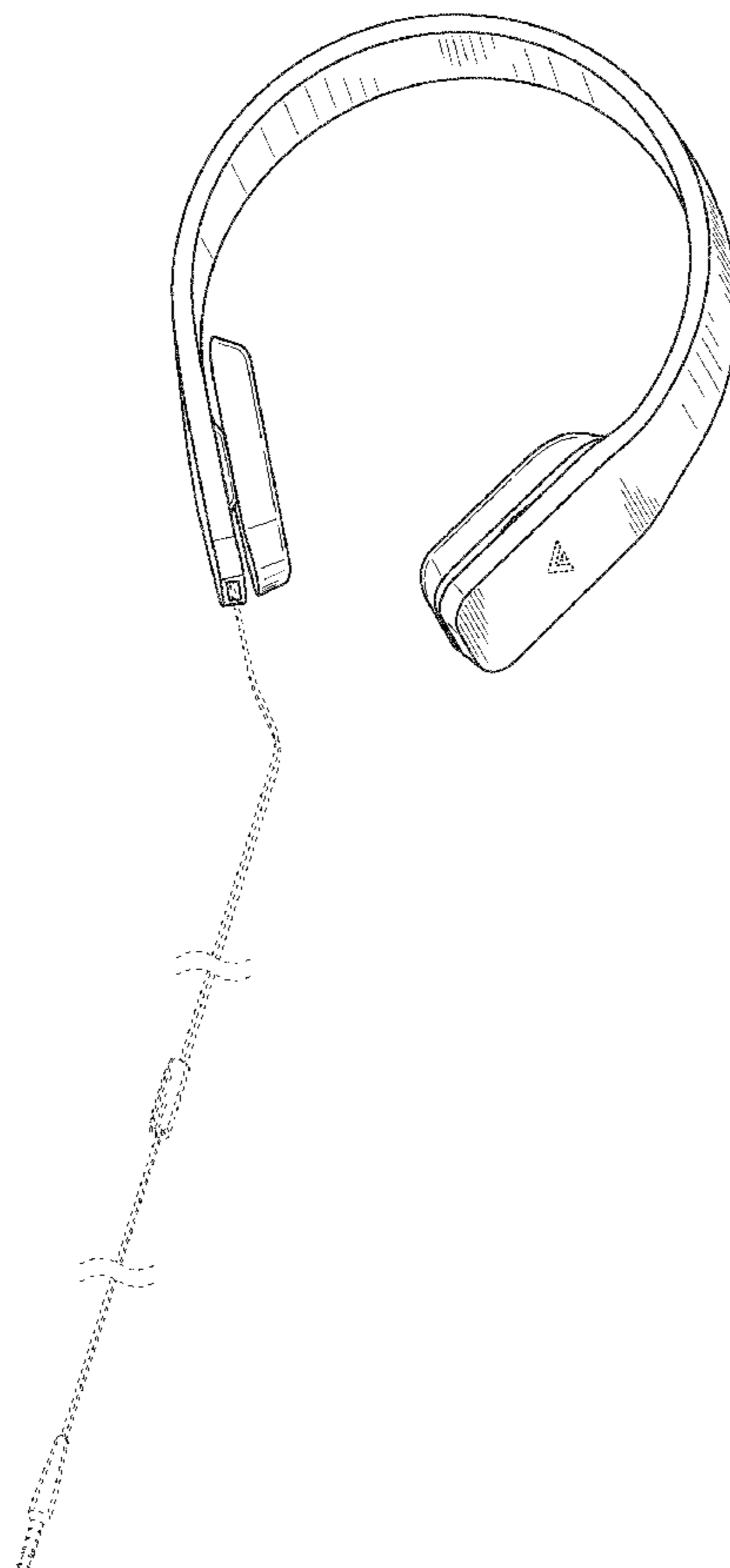
(57) **CLAIM**

The ornamental design for a headphone assembly, as shown and described.

**DESCRIPTION**

FIG. 1 is a perspective view of the headphone assembly from the side;  
FIG. 2 shows a bottom side view of the headphone assembly;  
FIG. 3 shows a top view of the headphone assembly;  
FIG. 4 is a side elevational view thereof;  
FIG. 5 is an opposite side elevational view thereof;  
FIG. 6 is an end elevational view thereof; and,  
FIG. 7 is an opposite end elevational view thereof.  
The broken lines form no part of the claimed design.

**1 Claim, 4 Drawing Sheets**



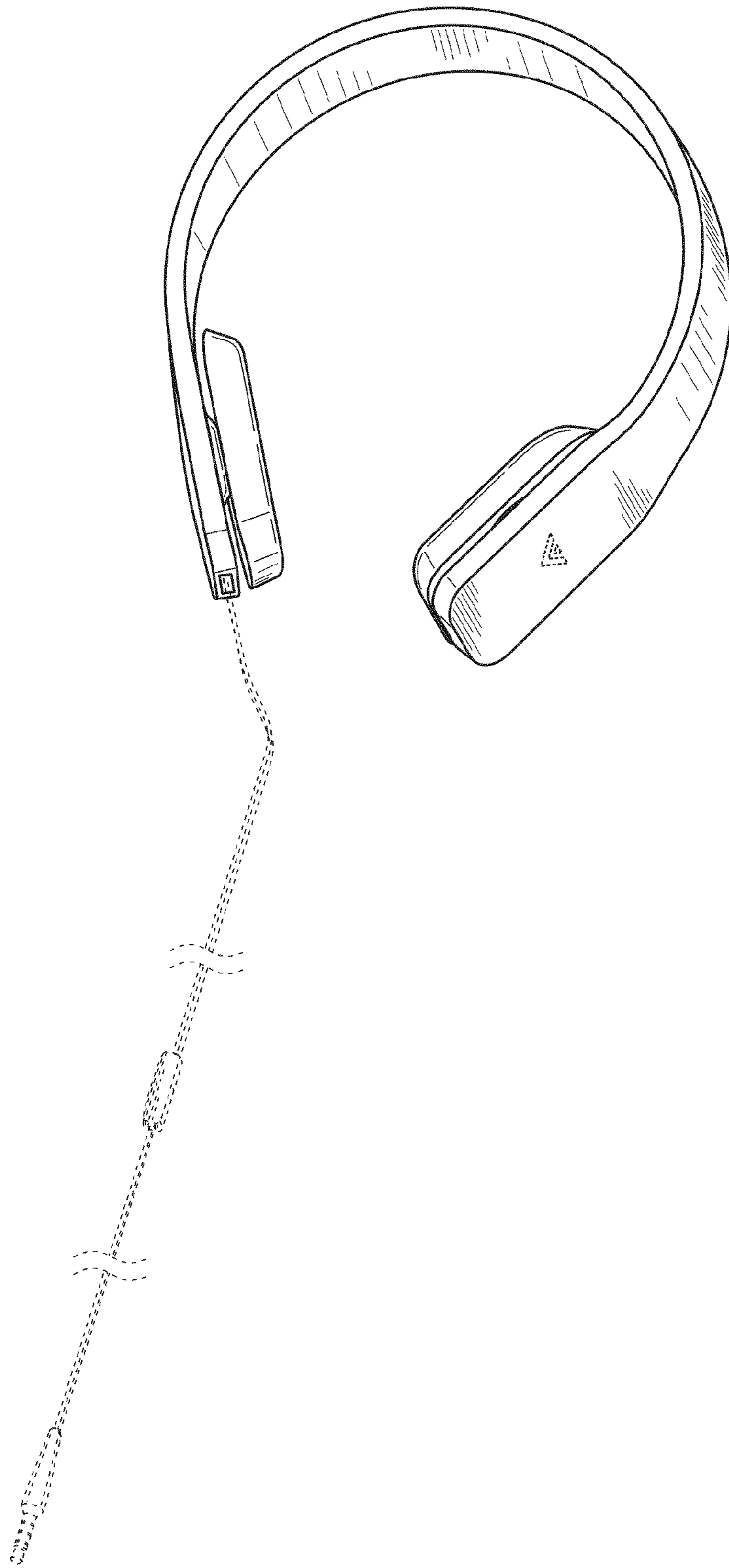
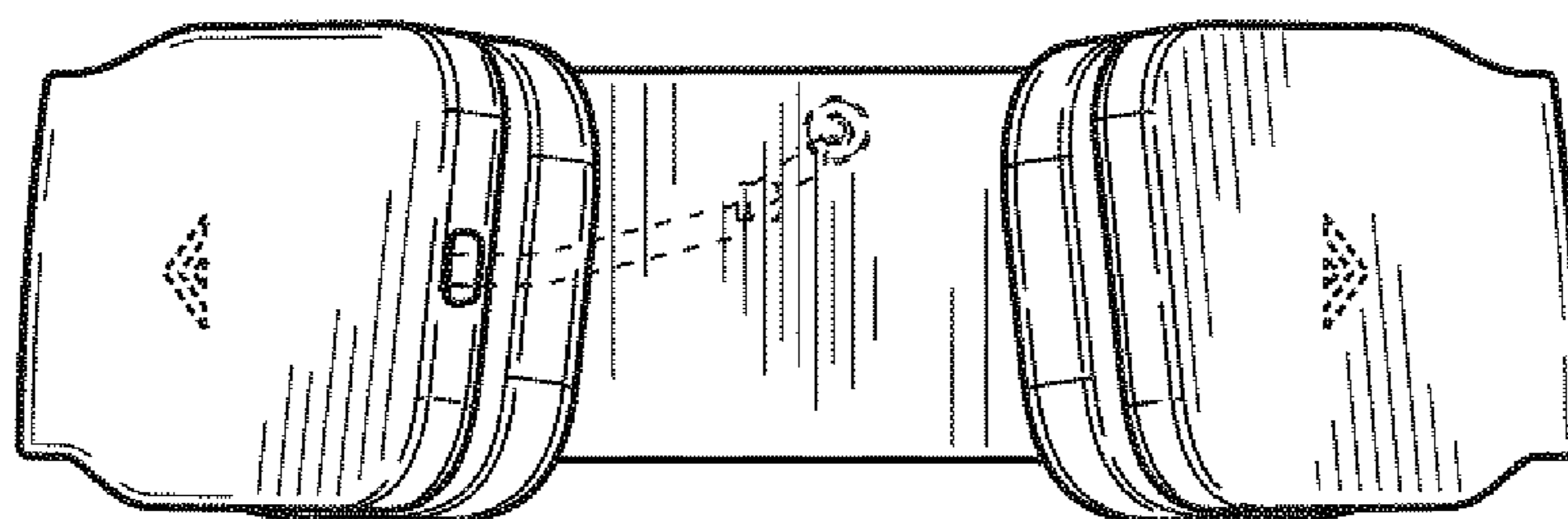
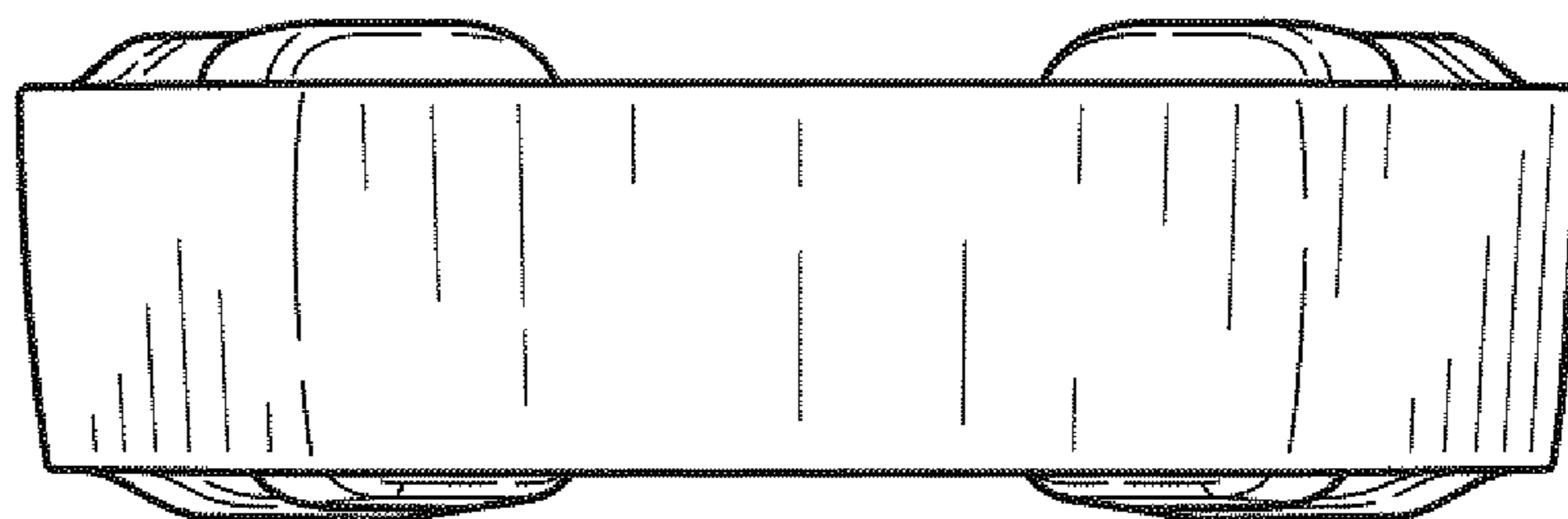


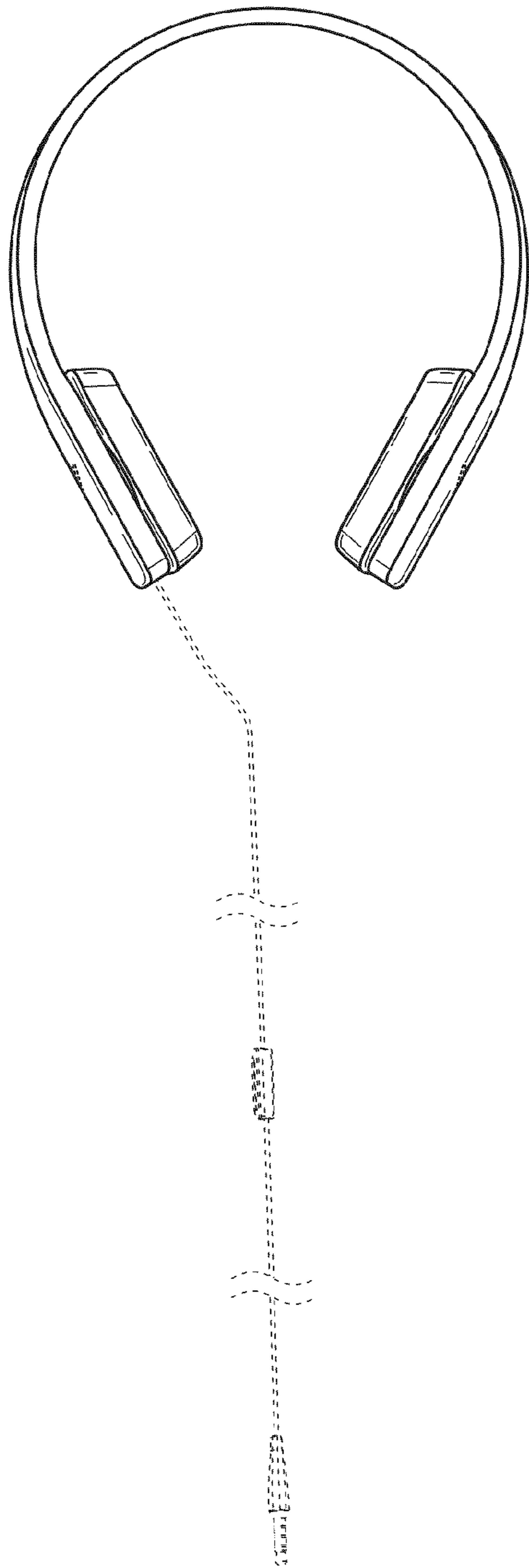
FIG. 1



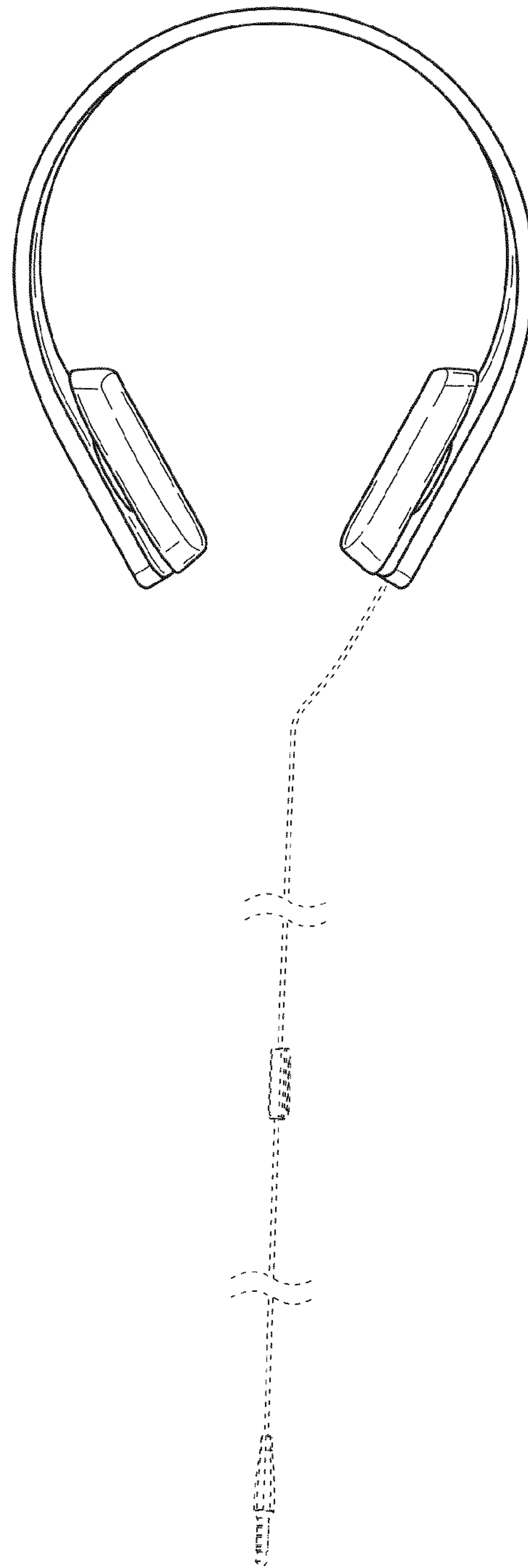
**FIG. 2**



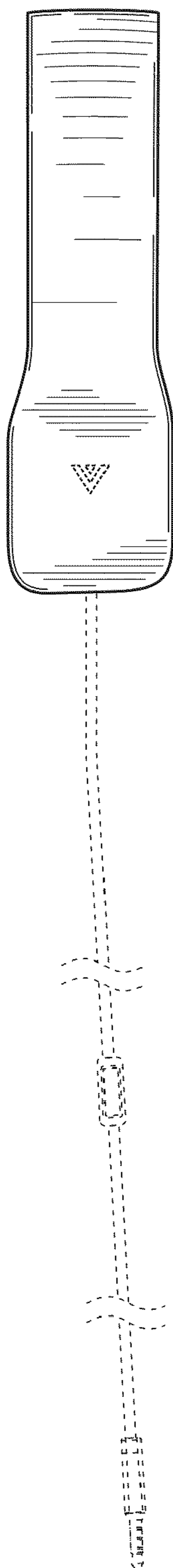
**FIG. 3**



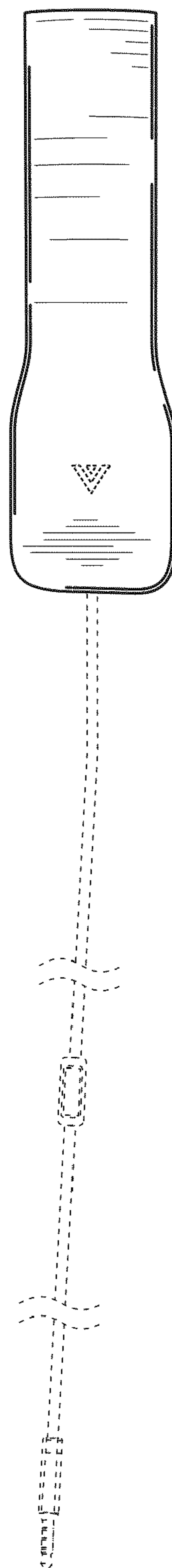
**FIG. 4**



**FIG. 5**



**FIG. 6**



**FIG. 7**