



US00D656479S

(12) **United States Design Patent**
Lin

(10) **Patent No.:** **US D656,479 S**

(45) **Date of Patent:** **** Mar. 27, 2012**

(54) **AMPLIFIER**

(76) Inventor: **Chin-Sheng Lin**, New Taipei (TW)

(**) Term: **14 Years**

(21) Appl. No.: **29/394,240**

(22) Filed: **Jun. 15, 2011**

(30) **Foreign Application Priority Data**

May 16, 2011 (TW) 100302385

(51) **LOC (9) Cl.** **14-03**

(52) **U.S. Cl.** **D14/188; D14/265**

(58) **Field of Classification Search** D14/188,
D14/265, 204, 192-198, 137, 155, 217, 221,
D14/224, 257, 258; 455/344-351, 575.1;
369/6-12; 330/1 R, 3, 4, 250, 185, 207 R,
330/207 A

See application file for complete search history.

(56) **References Cited**

U.S. PATENT DOCUMENTS

4,984,278	A *	1/1991	Frye et al.	381/387
5,119,430	A *	6/1992	Peavey et al.	381/121
5,781,853	A *	7/1998	Johnson	455/351
6,028,945	A *	2/2000	Gayle	381/120
6,625,289	B1 *	9/2003	Oliemuller	381/182

D498,225	S *	11/2004	Takeuchi et al.	D14/188
D526,640	S *	8/2006	Chin et al.	D14/188
D538,260	S *	3/2007	Wada	D14/188
D575,267	S *	8/2008	Potter	D14/204
D608,760	S *	1/2010	Xie	D14/188
D610,127	S *	2/2010	Daniele	D14/209.1
D616,862	S *	6/2010	Kung	D14/188

* cited by examiner

Primary Examiner — Prabhakar Deshmukh

(74) *Attorney, Agent, or Firm* — Chun-Ming Shih; HDLS
IPR Services

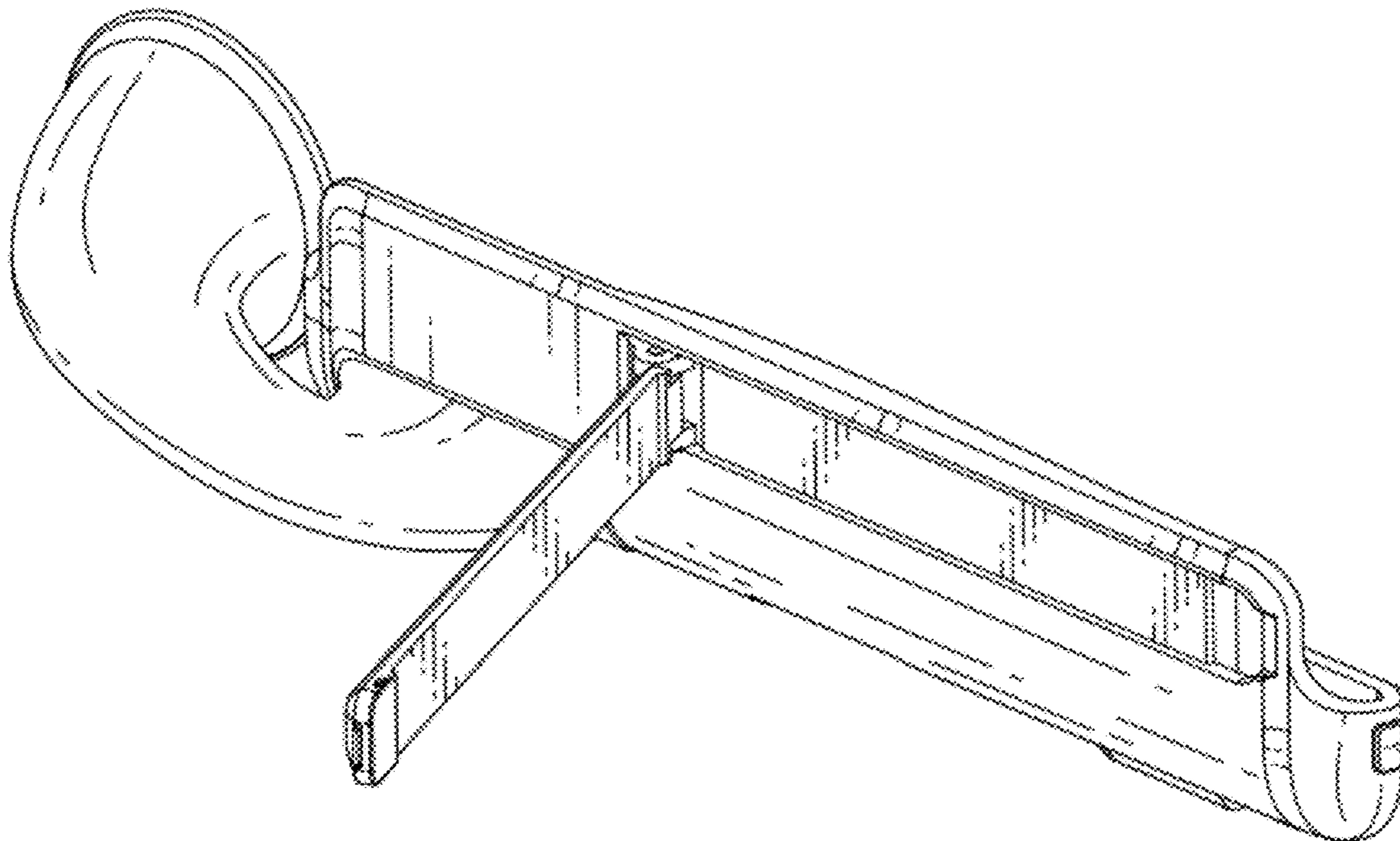
(57) **CLAIM**

The ornamental design for an amplifier, as shown and described.

DESCRIPTION

FIG. 1 is a perspective view of an amplifier showing my new design;
FIG. 2 is a front view thereof;
FIG. 3 is a rear view thereof;
FIG. 4 is a left side view thereof;
FIG. 5 is a right side view thereof;
FIG. 6 is a top view thereof;
FIG. 7 is a bottom view thereof.
FIG. 8 is another perspective view showing the amplifier; and,
FIG. 9 is a perspective view showing the amplifier in use.

1 Claim, 8 Drawing Sheets



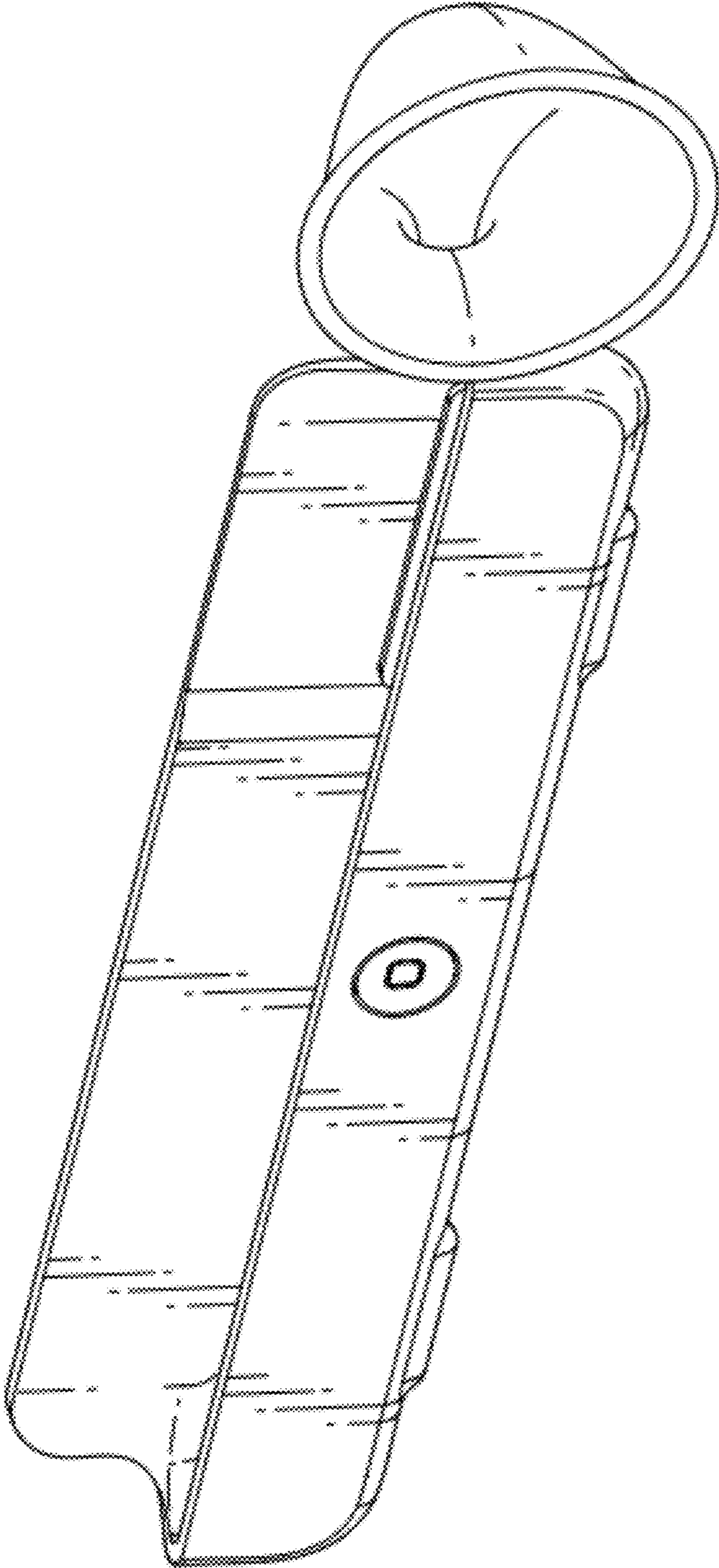


FIG. 1

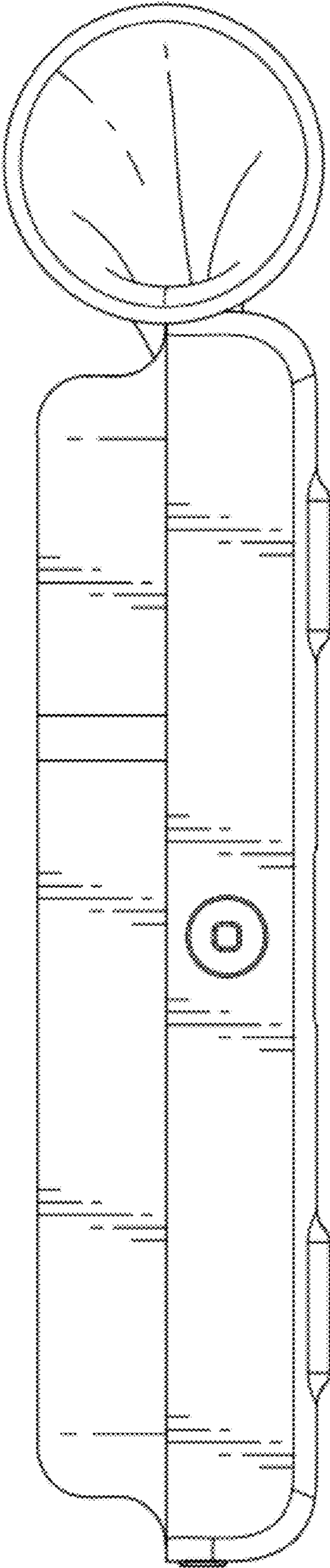


FIG.2

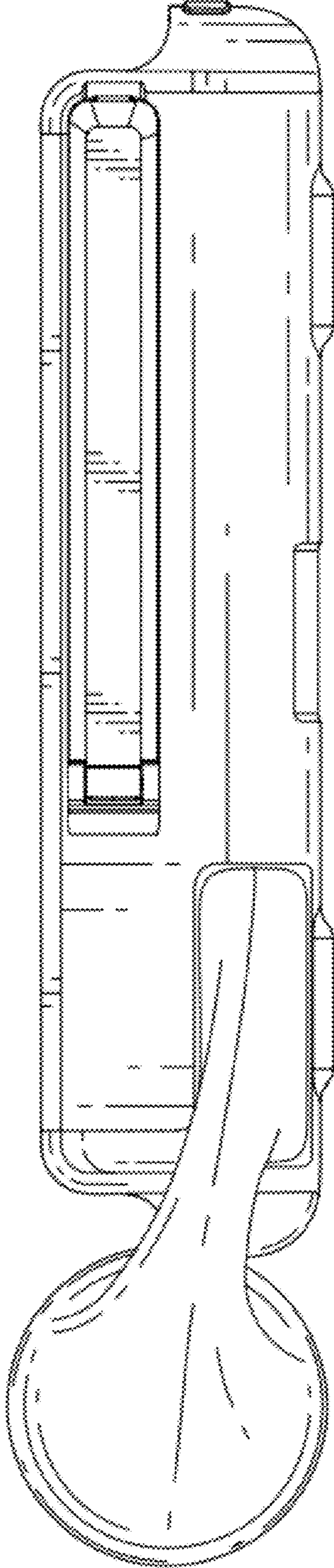


FIG.3

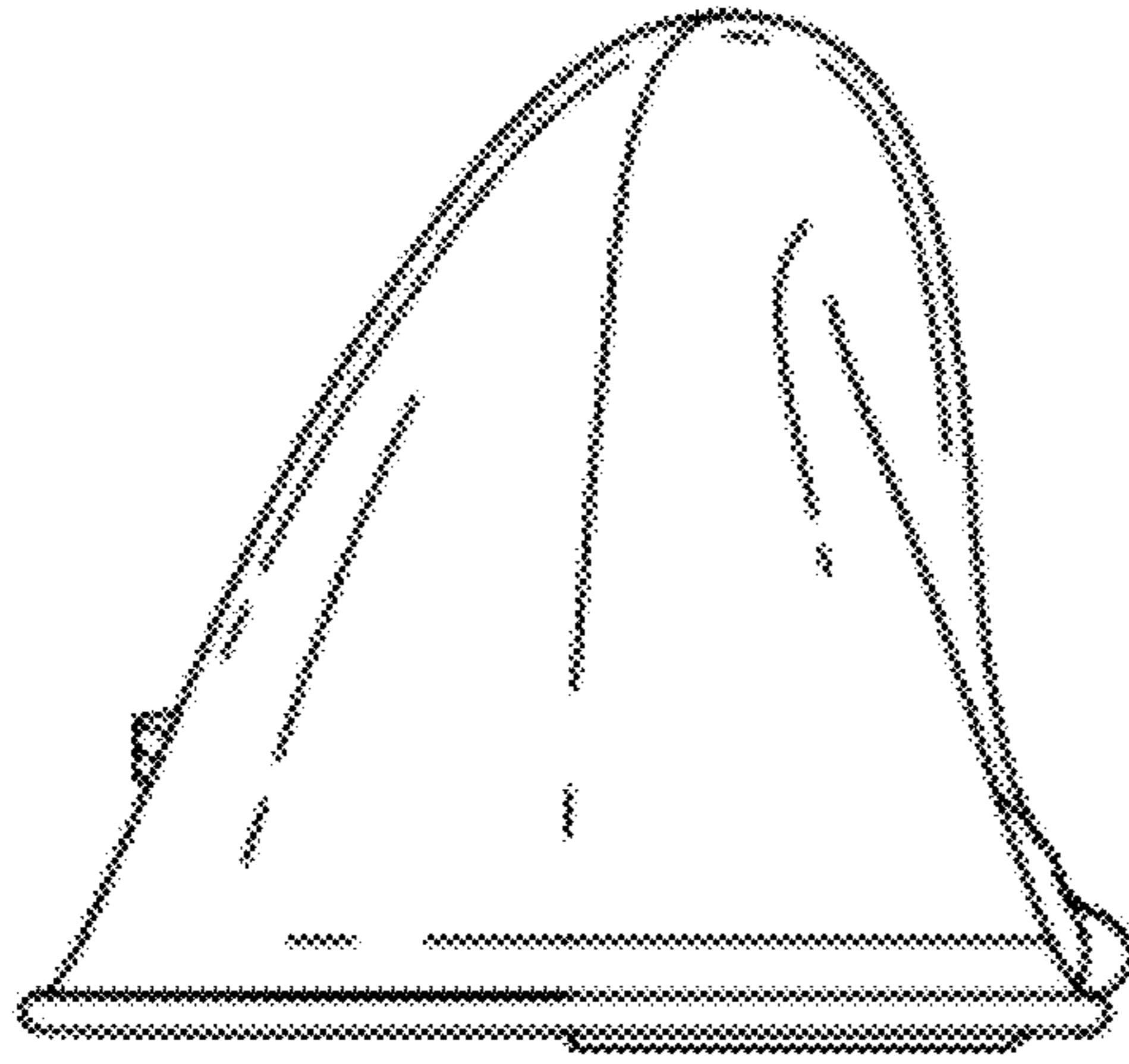


FIG. 5

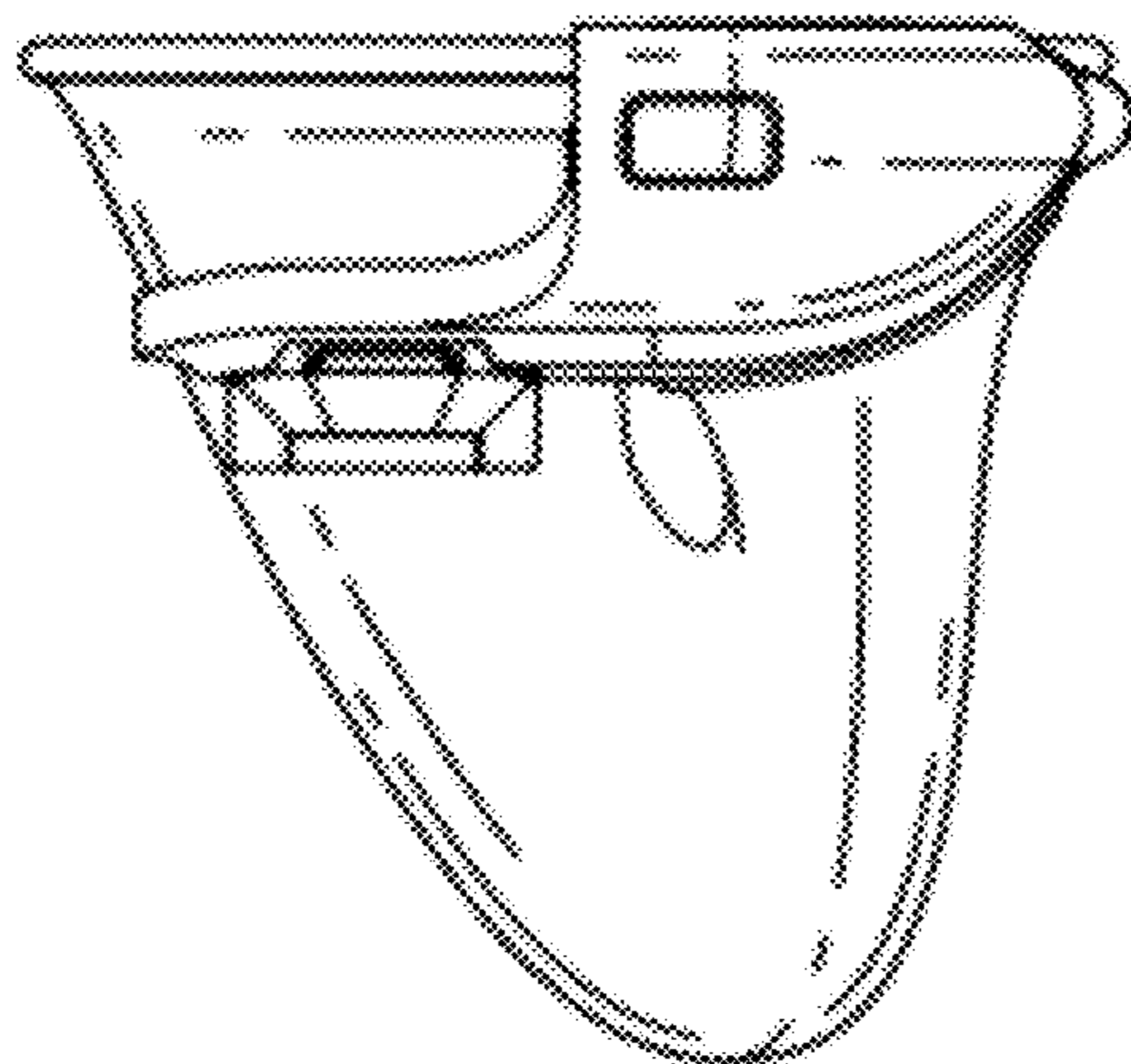


FIG. 4

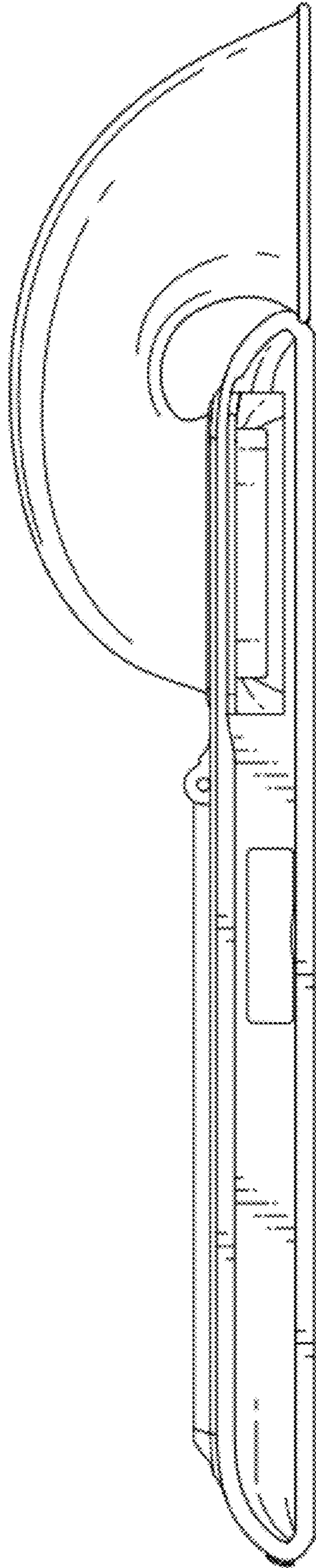


FIG.6

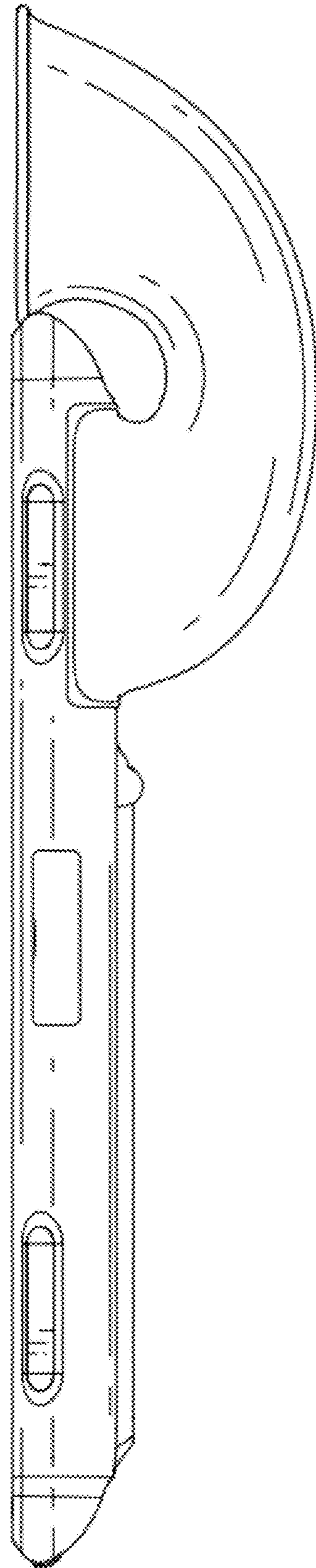


FIG.7

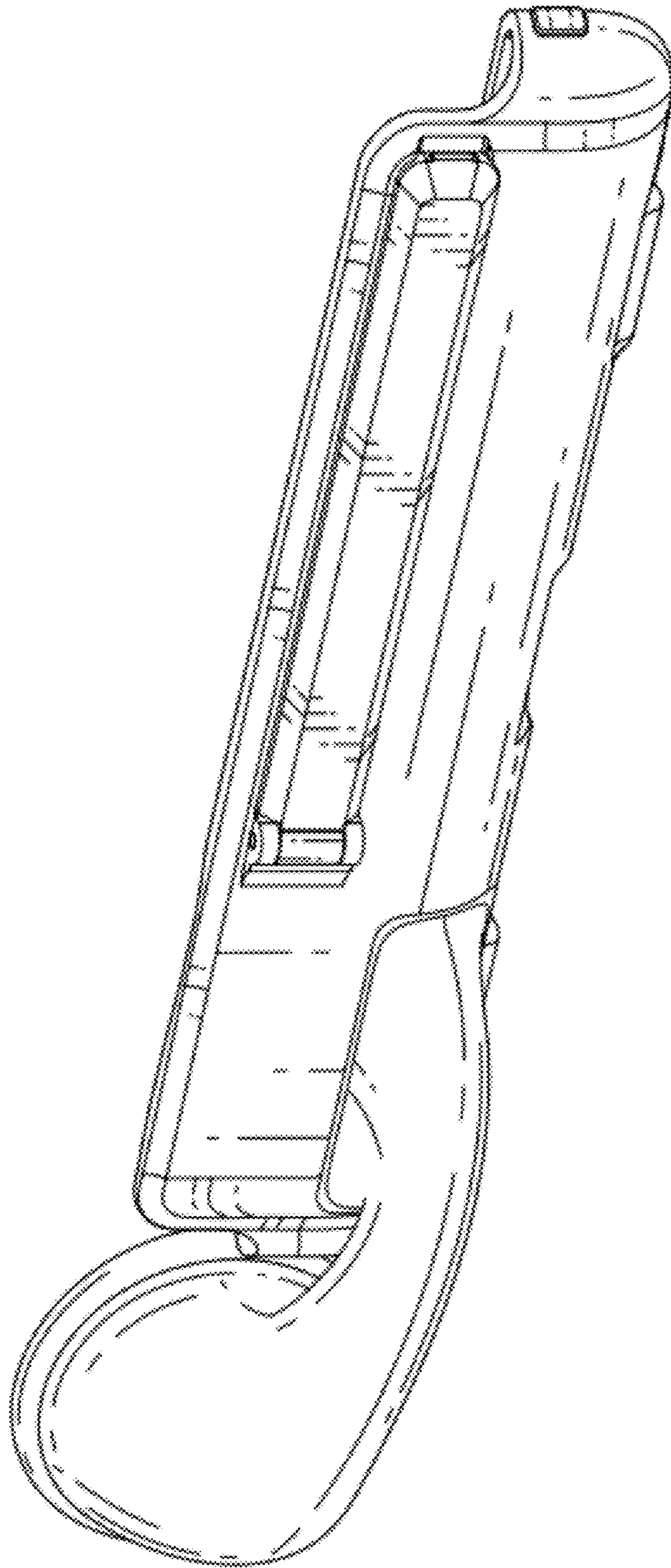


FIG.8

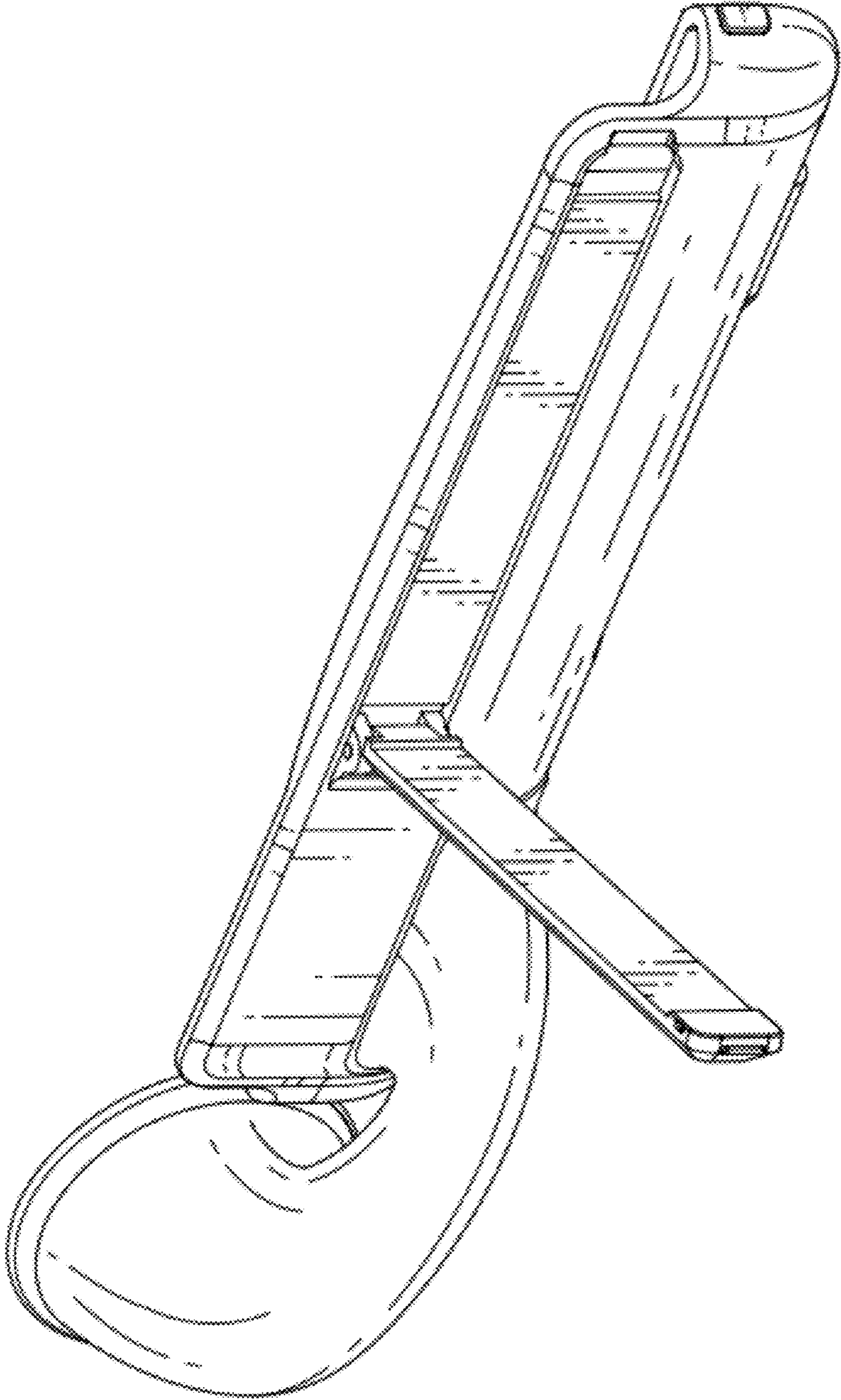


FIG.9