



US00D656473S

(12) **United States Design Patent**
Laube et al.

(10) **Patent No.:** **US D656,473 S**
(45) **Date of Patent:** **** Mar. 27, 2012**

(54) **WALL DISPLAY**

(56) **References Cited**

(75) Inventors: **Douglas N. Laube**, Farmersville, TX (US); **Kevin Scott Hodge**, Lucas, TX (US); **Nathan Shawn Wainwright**, Fort Worth, TX (US); **Mark Gilson**, Austin, TX (US); **Rashid Skaf**, Plano, TX (US)

(73) Assignee: **AMX LLC**, Richardson, TX (US)

(**) Term: **14 Years**

(21) Appl. No.: **29/394,001**

(22) Filed: **Jun. 11, 2011**

(51) **LOC (9) Cl.** **14-03**

(52) **U.S. Cl.** **D14/126**

(58) **Field of Classification Search** D14/125-134, D14/239, 371, 136, 374-377, 440, 450, 448, D14/336, 342; 312/7.2; 348/836, 838, 180, 348/184, 325, 739; 341/12; 248/917-924, 248/465; 345/104, 133, 156, 168, 87, 173; 720/605, 669, 600, 655; 369/99, 197; 455/344, 455/347; D21/329, 515, 577, 622, 333, 433, D21/448, 452, 450, 331; D6/477, 479, 300; 273/148 B; 446/484, 175, 356; D10/15, D10/26

See application file for complete search history.

U.S. PATENT DOCUMENTS

D422,575 S *	4/2000	Tikhonski et al.	D14/374
D424,068 S *	5/2000	Takemasa	D14/374
D424,538 S *	5/2000	Hayashi et al.	D14/374
D484,471 S *	12/2003	Lin et al.	D14/126
D598,406 S *	8/2009	Wang	D14/126
D623,616 S *	9/2010	Cho et al.	D14/126
D624,513 S *	9/2010	Mitsubishi	D14/126
D627,749 S *	11/2010	Mitsubishi	D14/126
D640,215 S *	6/2011	Hanson-Abbott	D14/126
2003/0137584 A1 *	7/2003	Norvell et al.	348/61

* cited by examiner

Primary Examiner — Raphael Barkai

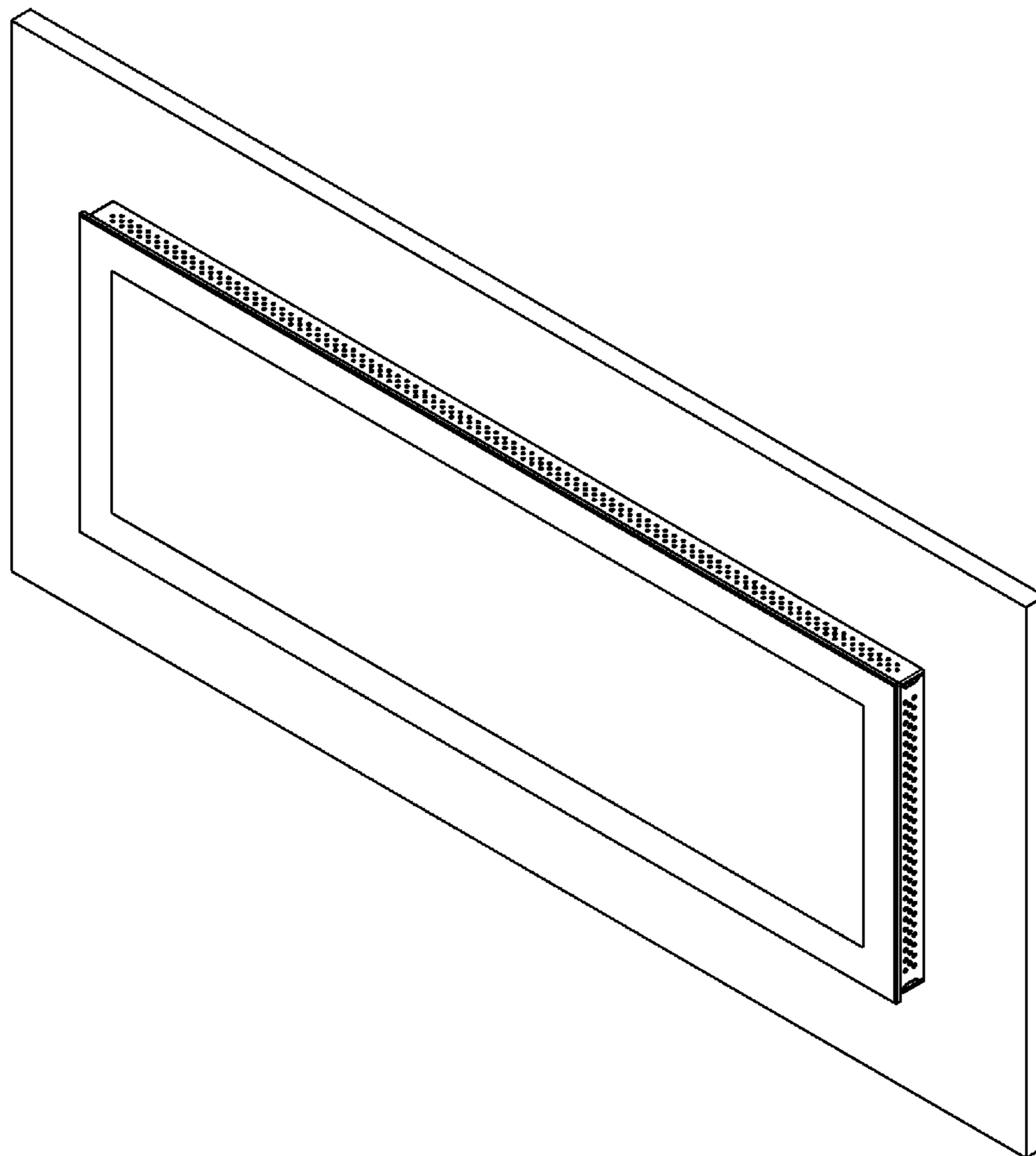
(57) **CLAIM**

The ornamental design for a wall display, as shown and described.

DESCRIPTION

FIG. 1 is an isometric view of a wall display; FIG. 2 is an underside isometric view thereof; FIG. 3 is a front elevation view thereof; FIG. 4 is a right elevation view thereof; FIG. 5 is a left elevation view thereof; FIG. 6 is a top elevation view thereof; and, FIG. 7 is a bottom elevation view thereof.

1 Claim, 7 Drawing Sheets



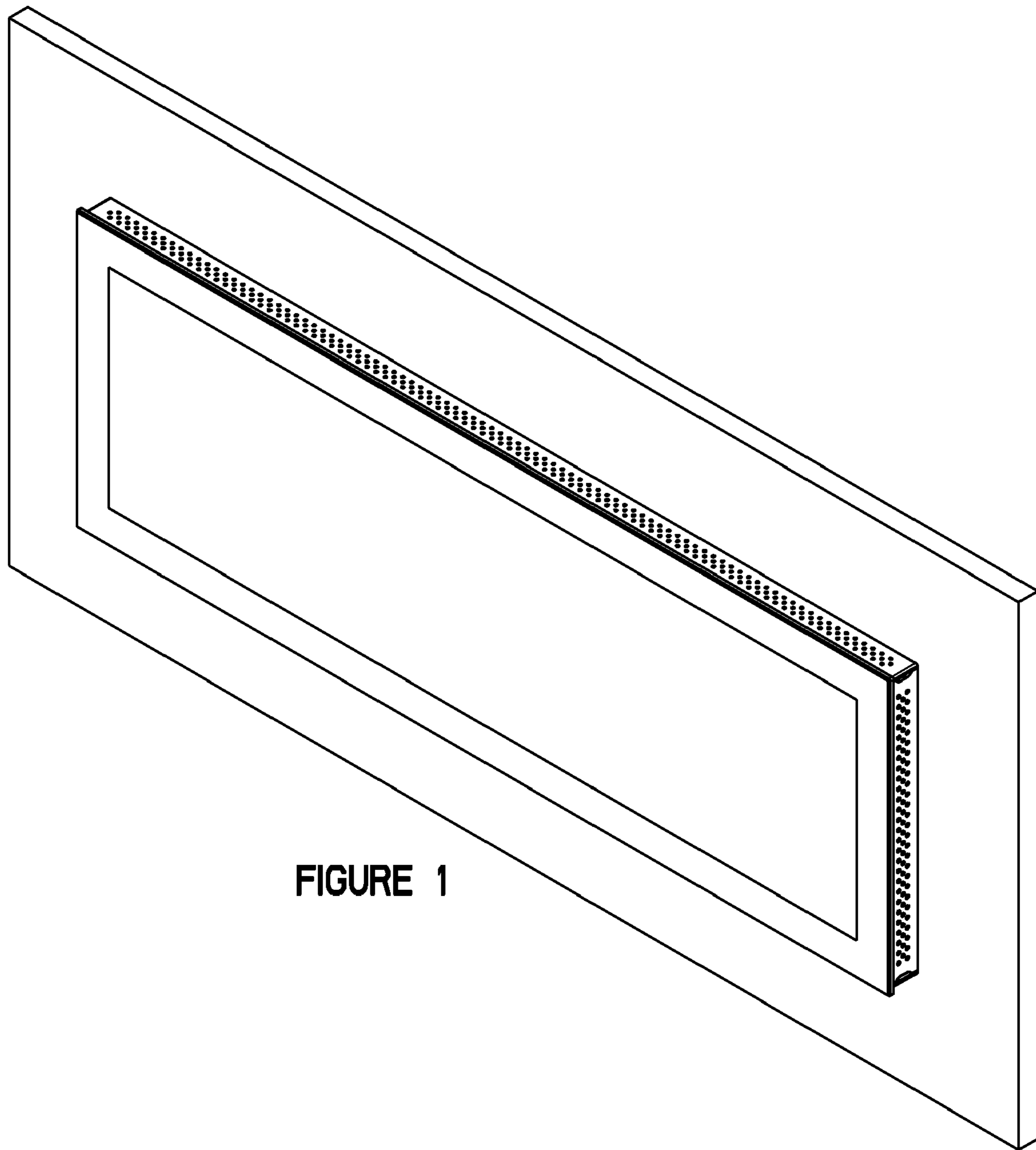


FIGURE 1

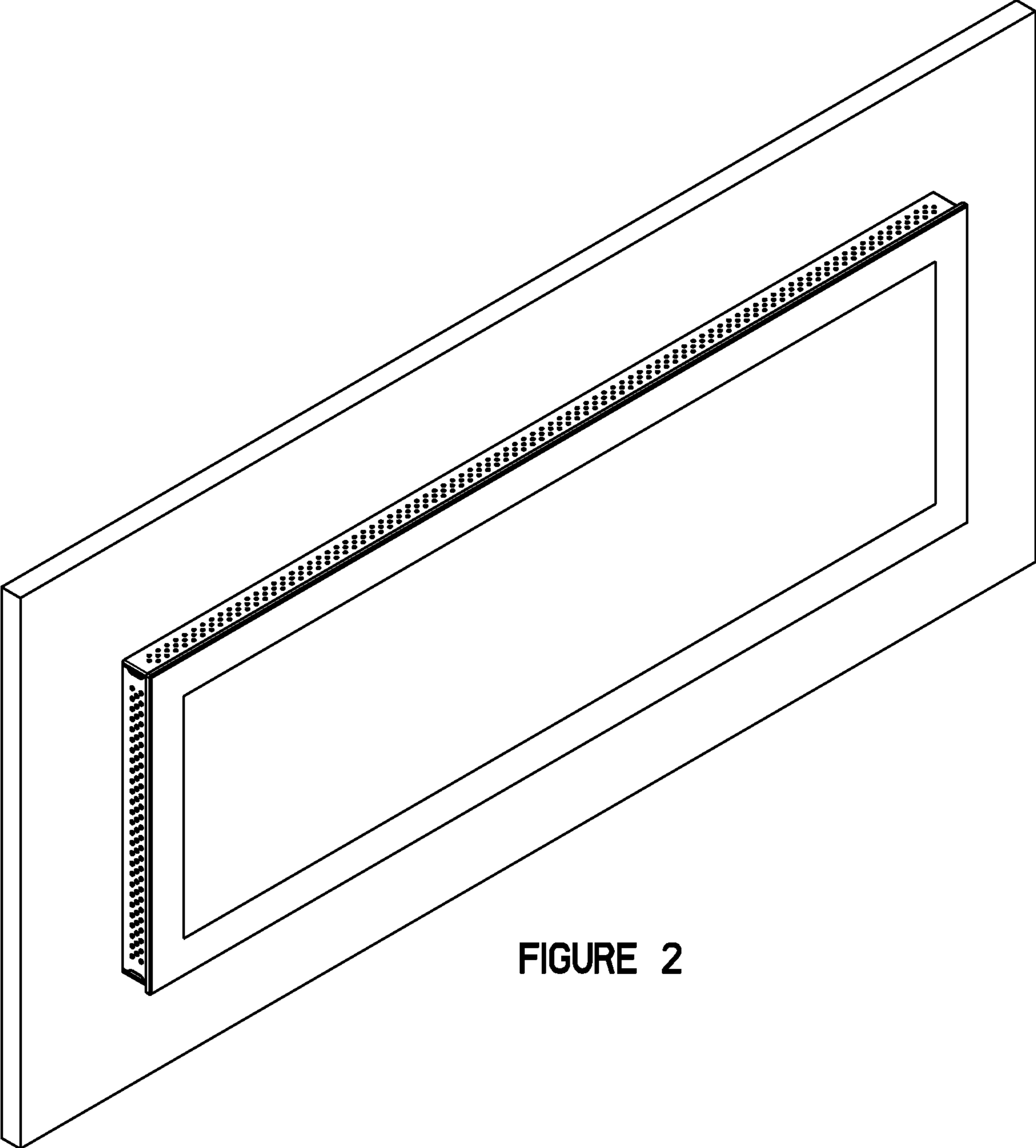


FIGURE 2

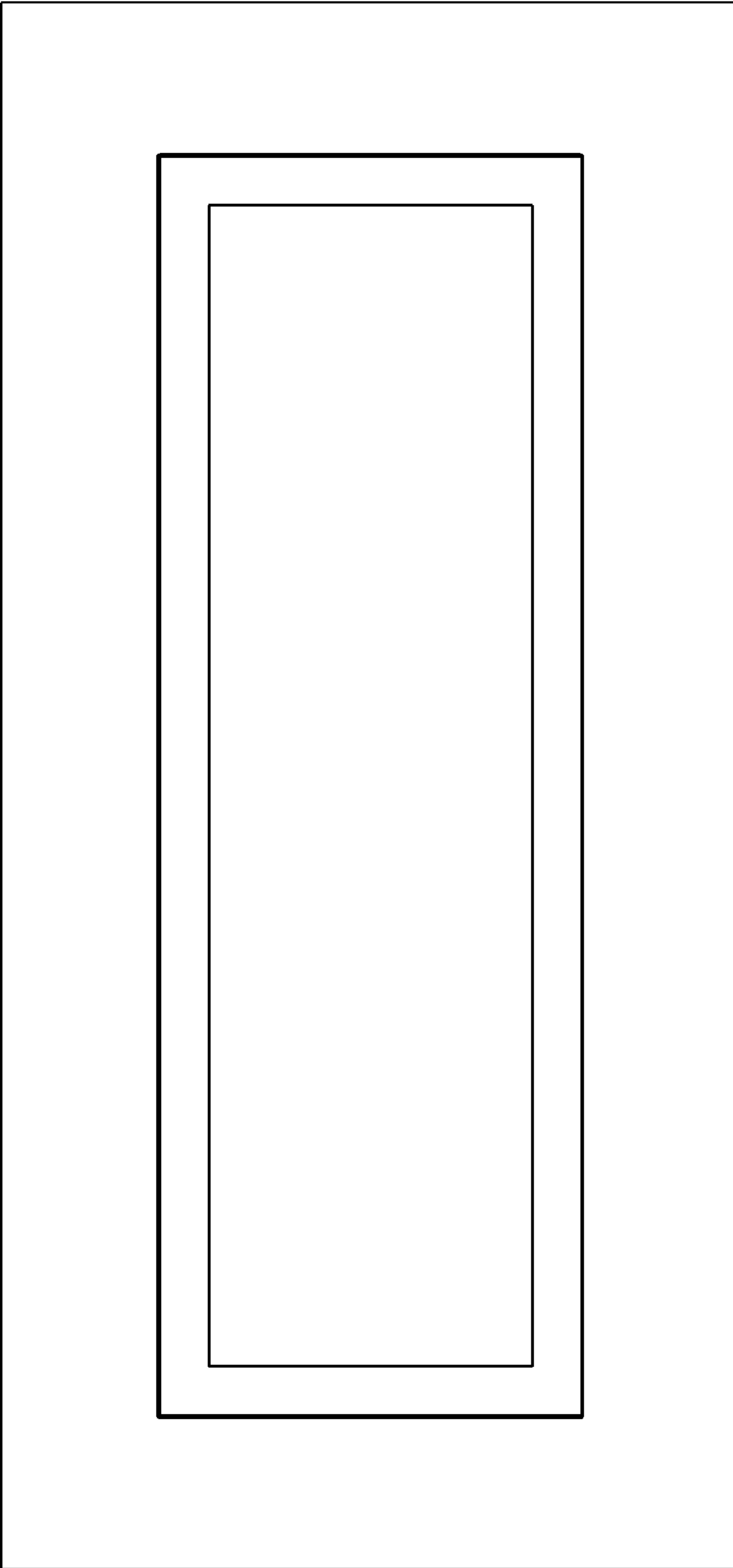


FIGURE 3

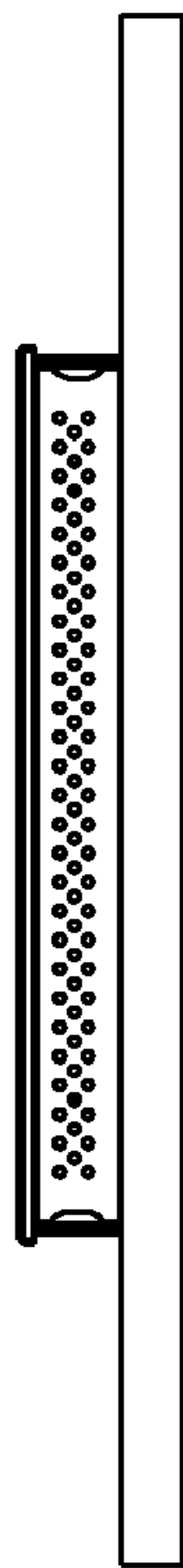


FIGURE 4

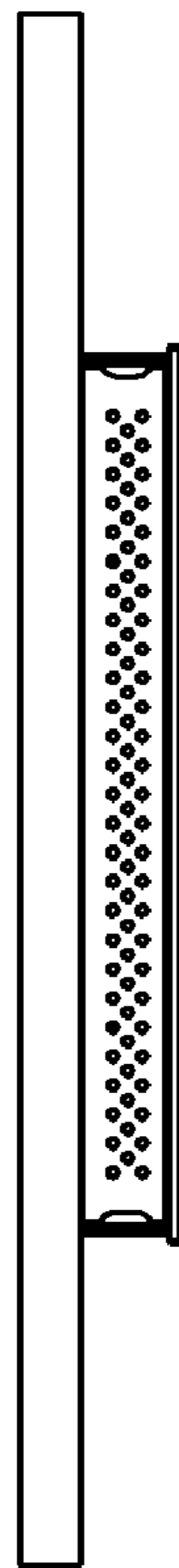


FIGURE 5

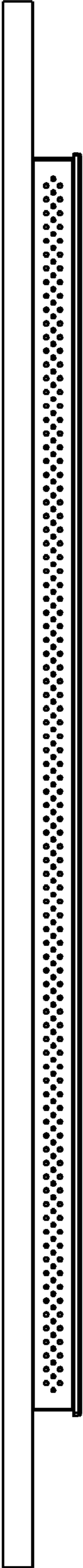


FIGURE 6

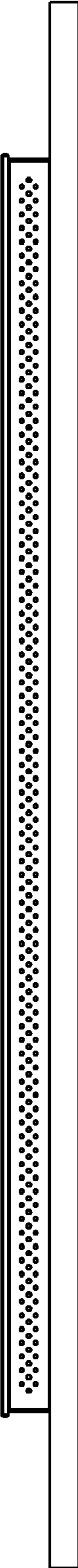


FIGURE 7