



US00D656472S

(12) **United States Design Patent**
Iida et al.

(10) **Patent No.:** **US D656,472 S**
(45) **Date of Patent:** **** Mar. 27, 2012**

(54) **TELEVISION SET**

(75) Inventors: **Katsuhiro Iida**, Osaka (JP); **Tohru Ohtani**, Osaka (JP); **Yoshito Fujii**, Osaka (JP); **Takeshi Kodera**, Osaka (JP); **Hiroshi Yamamizu**, Osaka (JP); **Kohichi Iida**, Osaka (JP)

(73) Assignee: **Sharp Kabushiki Kaisha**, Osaka (JP)

(**) Term: **14 Years**

(21) Appl. No.: **29/389,901**

(22) Filed: **Apr. 18, 2011**

(30) **Foreign Application Priority Data**

Oct. 19, 2010 (JP) 2010-024961

(51) **LOC (9) Cl.** **14-03**

(52) **U.S. Cl.** **D14/126**

(58) **Field of Classification Search** D14/125-134, D14/239, 371, 136, 374-377, 440, 450, 448, D14/336, 342; 312/7.2; 348/836, 838, 180, 348/184, 325, 739; 341/12; 248/917-924, 248/465; 345/104, 133, 156, 168, 87, 173; 720/605, 669, 600, 655; 369/99, 197; D21/329, D21/515, 577, 622, 333, 433, 448, 452, 450, D21/331; D6/477, 479, 300; 273/148 B; 446/484, 175, 356; D10/15, 26

See application file for complete search history.

(56) **References Cited**

U.S. PATENT DOCUMENTS

D427,169 S 6/2000 Saeki et al.
D429,227 S 8/2000 Shimizu
D431,537 S 10/2000 Saeki et al.
D438,848 S 3/2001 Kita
D439,224 S 3/2001 Kita
D439,225 S 3/2001 Kita
D453,747 S 2/2002 Kita
D453,748 S 2/2002 Kita
D456,370 S 4/2002 Kita

D458,910 S 6/2002 Kita
D492,269 S 6/2004 Kita
D496,915 S 10/2004 Kita
D497,351 S 10/2004 Kita
D497,599 S 10/2004 Kita
D499,076 S 11/2004 Kita
D501,186 S 1/2005 Kita
D501,654 S 2/2005 Kita
D502,451 S 3/2005 Kita
D505,123 S 5/2005 Kita
D510,731 S 10/2005 Kita
D512,385 S 12/2005 Kita
D512,386 S 12/2005 Kita
D512,387 S 12/2005 Kita
D534,139 S * 12/2006 Yokota D14/126
D538,242 S 3/2007 Kita
D538,762 S 3/2007 Fujii et al.
D538,763 S 3/2007 Fujii et al.

(Continued)

OTHER PUBLICATIONS

U.S. Appl. No. 29/376,413, filed Oct. 6, 2011(pending).

(Continued)

Primary Examiner — Raphael Barkai

(74) *Attorney, Agent, or Firm* — Nixon & Vanderhye, P.C.

(57)

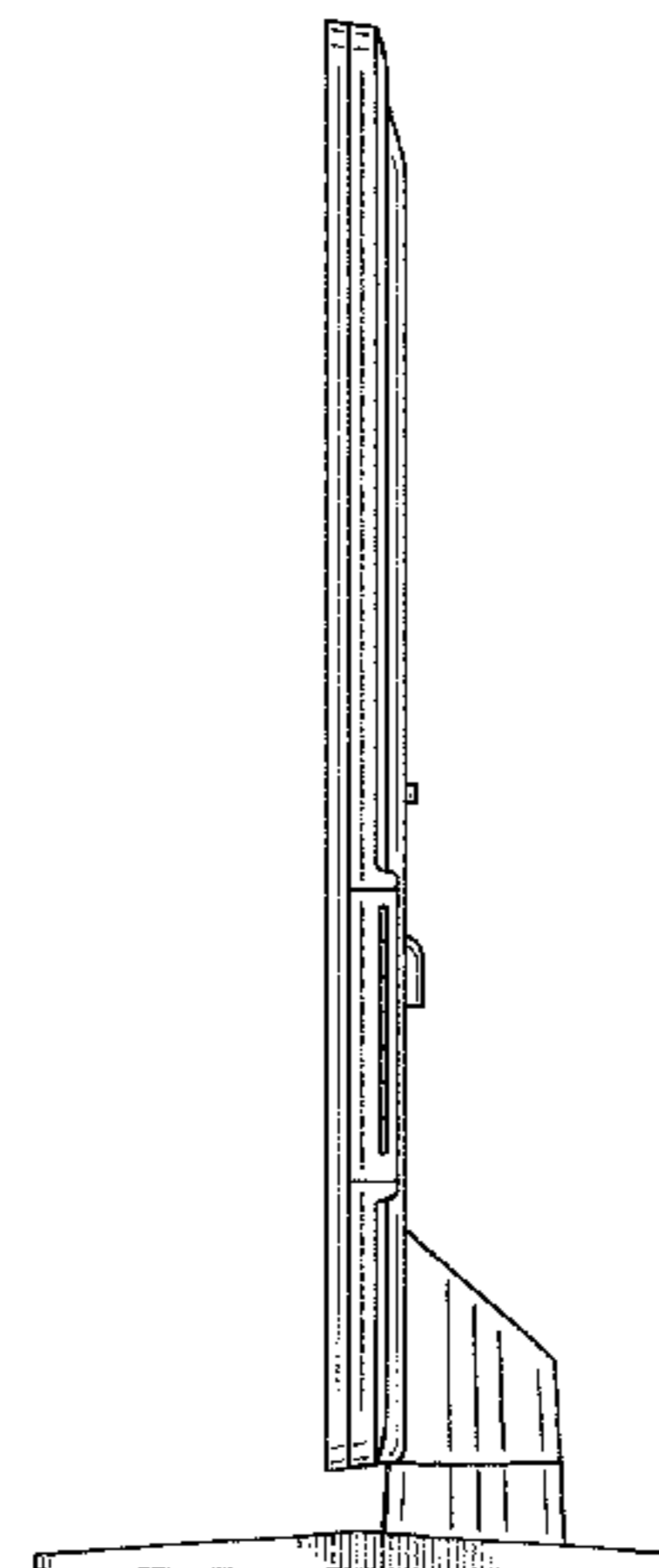
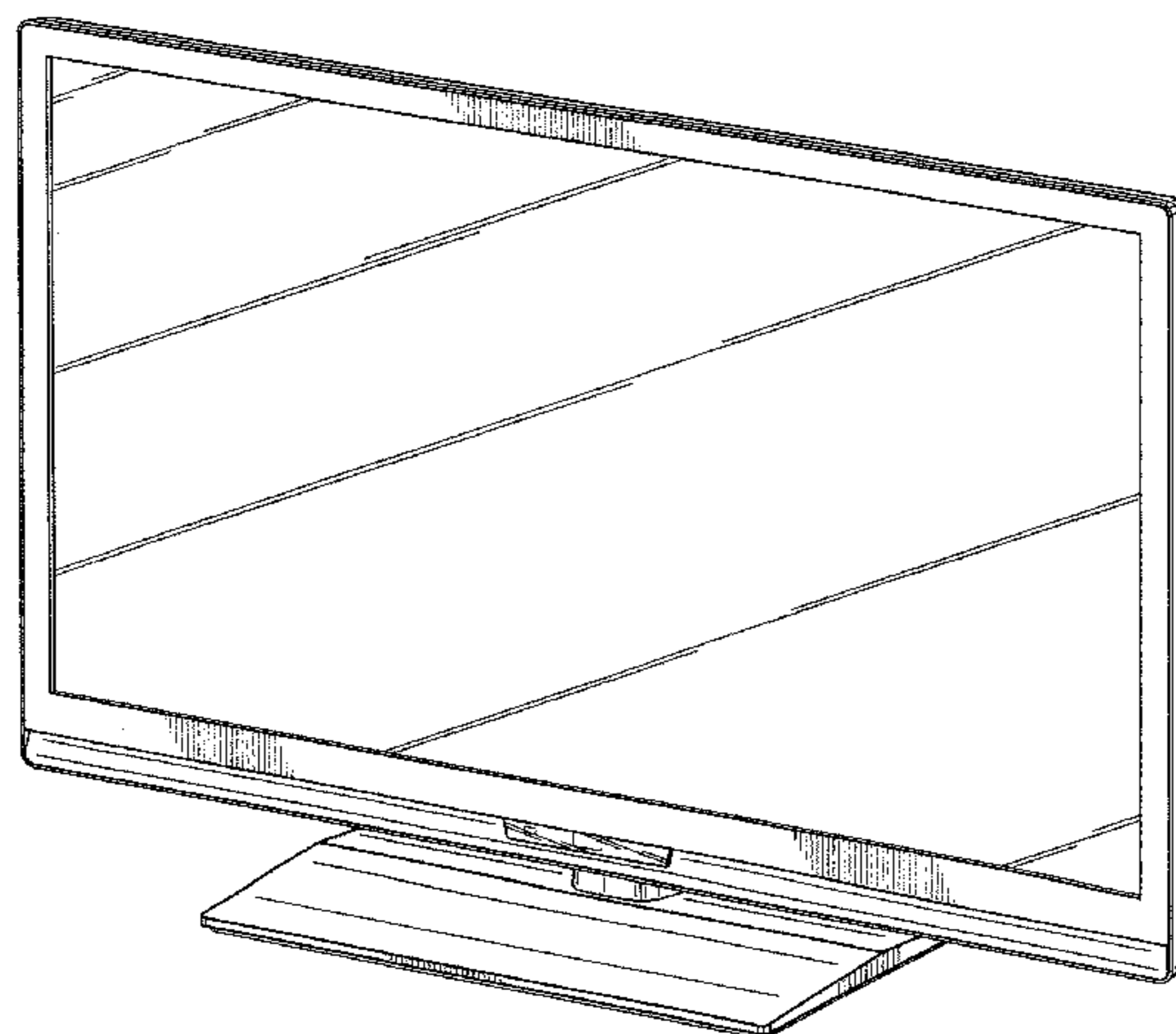
CLAIM

The ornamental design for “television set,” as shown and described.

DESCRIPTION

FIG. 1 is a right, top, front perspective view of a television set in accordance with our new design;
FIG. 2 is a front elevation view thereof;
FIG. 3 is a rear elevation view thereof;
FIG. 4 is a top plan view thereof;
FIG. 5 is a bottom plan view thereof;
FIG. 6 is a right side elevation view thereof; and,
FIG. 7 is a left side elevation view thereof.
Subject matter shown in dotted lines forms no part of the claimed invention.

1 Claim, 6 Drawing Sheets



US D656,472 S

Page 2

U.S. PATENT DOCUMENTS

D539,766 S 4/2007 Kita
D540,281 S 4/2007 Kita
D540,282 S 4/2007 Kita
D540,284 S 4/2007 Kita
D540,285 S 4/2007 Kita
D541,237 S 4/2007 Kita
D541,240 S 4/2007 Kita
D541,766 S 5/2007 Kita
D541,772 S 5/2007 Kita
D541,774 S 5/2007 Kita
D541,775 S 5/2007 Kita
D543,164 S * 5/2007 Yang et al. D14/126
D543,519 S 5/2007 Kita
D544,850 S 6/2007 Kita
D545,282 S 6/2007 Kita
D545,775 S 7/2007 Kita
D545,779 S 7/2007 Kita
D545,780 S 7/2007 Kita
D546,301 S 7/2007 Kita
D546,302 S 7/2007 Kita
D546,303 S 7/2007 Fujii et al.
D551,187 S 9/2007 Kita
D552,050 S 10/2007 Fujii et al.
D552,569 S 10/2007 Kita
D552,571 S 10/2007 Fujii et al.
D554,085 S 10/2007 Kita
D562,275 S 2/2008 Iinuma et al.
D562,276 S * 2/2008 Kim et al. D14/126
D564,989 S 3/2008 Kita
D566,067 S 4/2008 Kita
D567,197 S 4/2008 Kita

D568,264 S 5/2008 Fujii et al.
D568,265 S 5/2008 Fujii et al.
D568,266 S 5/2008 Shimamoto
D568,844 S 5/2008 Fujii et al.
D569,816 S * 5/2008 Fujiki D14/126
D570,311 S 6/2008 Kita
D570,312 S 6/2008 Kita
D571,320 S 6/2008 Kita
D575,248 S 8/2008 Fujii et al.
D584,255 S 1/2009 Kita
D584,256 S 1/2009 Kita
D584,257 S 1/2009 Kita
D584,702 S 1/2009 Iinuma et al.
D584,705 S 1/2009 Shimamoto
D585,396 S 1/2009 Kita
D586,769 S 2/2009 Kita
D592,931 S 5/2009 Nenadic
D606,954 S * 12/2009 Yamaguchi D14/128
D618,187 S * 6/2010 Suzuki D14/126
D637,167 S * 5/2011 Tsai et al. D14/126
D638,390 S * 5/2011 Honda D14/126
D646,244 S * 10/2011 Araki D14/126

OTHER PUBLICATIONS

U.S. Appl. No. 29/389,896, filed Apr. 18, 2011(pending).
U.S. Appl. No. 29/392,661, filed May 25, 2011(pending).
U.S. Appl. No. 29/392,662, filed May 25, 2011(pending).
U.S. Appl. No. 29/392,663, filed May 25, 2011(pending).
U.S. Appl. No. 29/389,892, filed Apr. 18, 2011(pending).
U.S. Appl. No. 29/389,893, filed Apr. 18, 2011(pending).

* cited by examiner

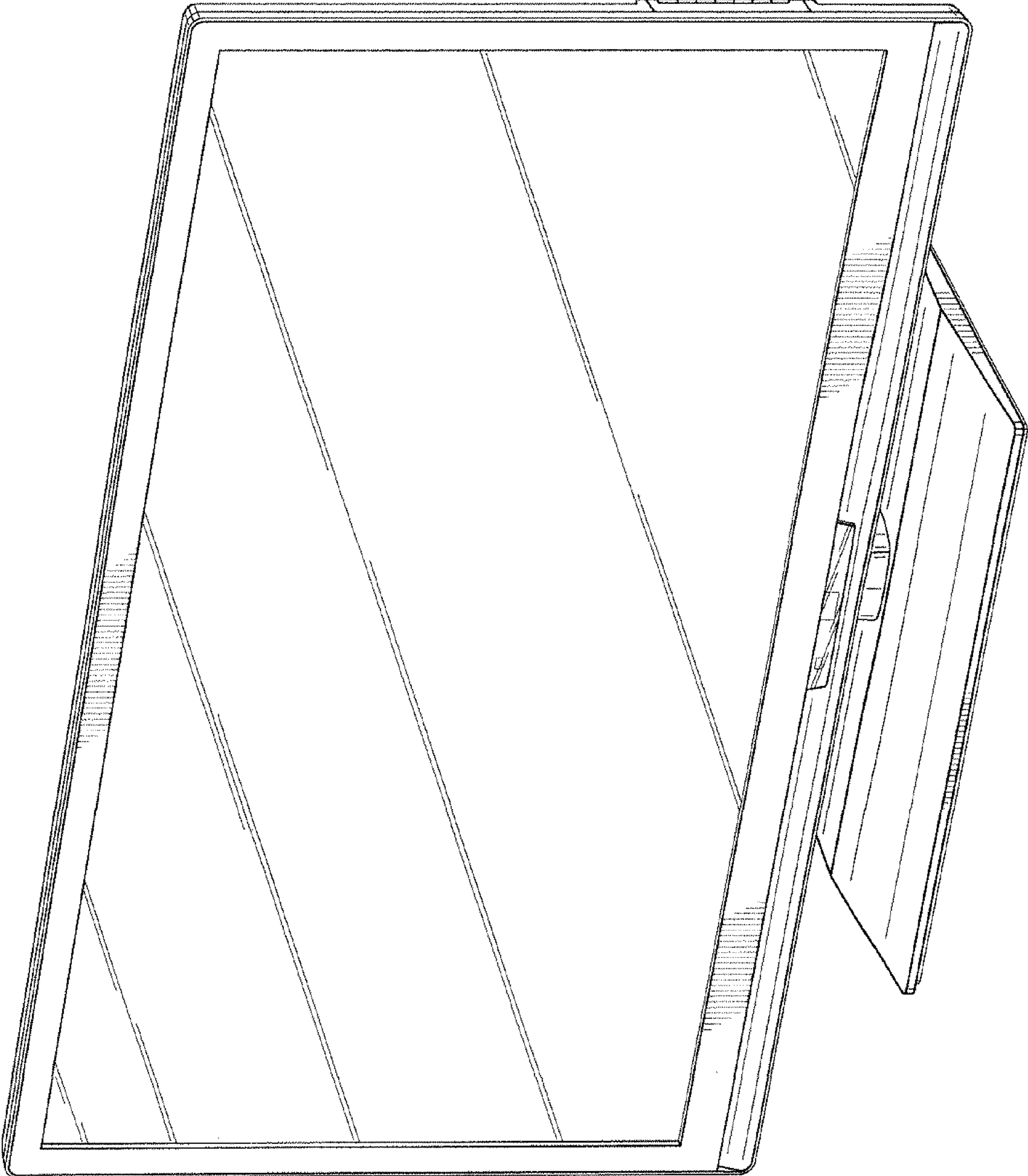


FIG. 1

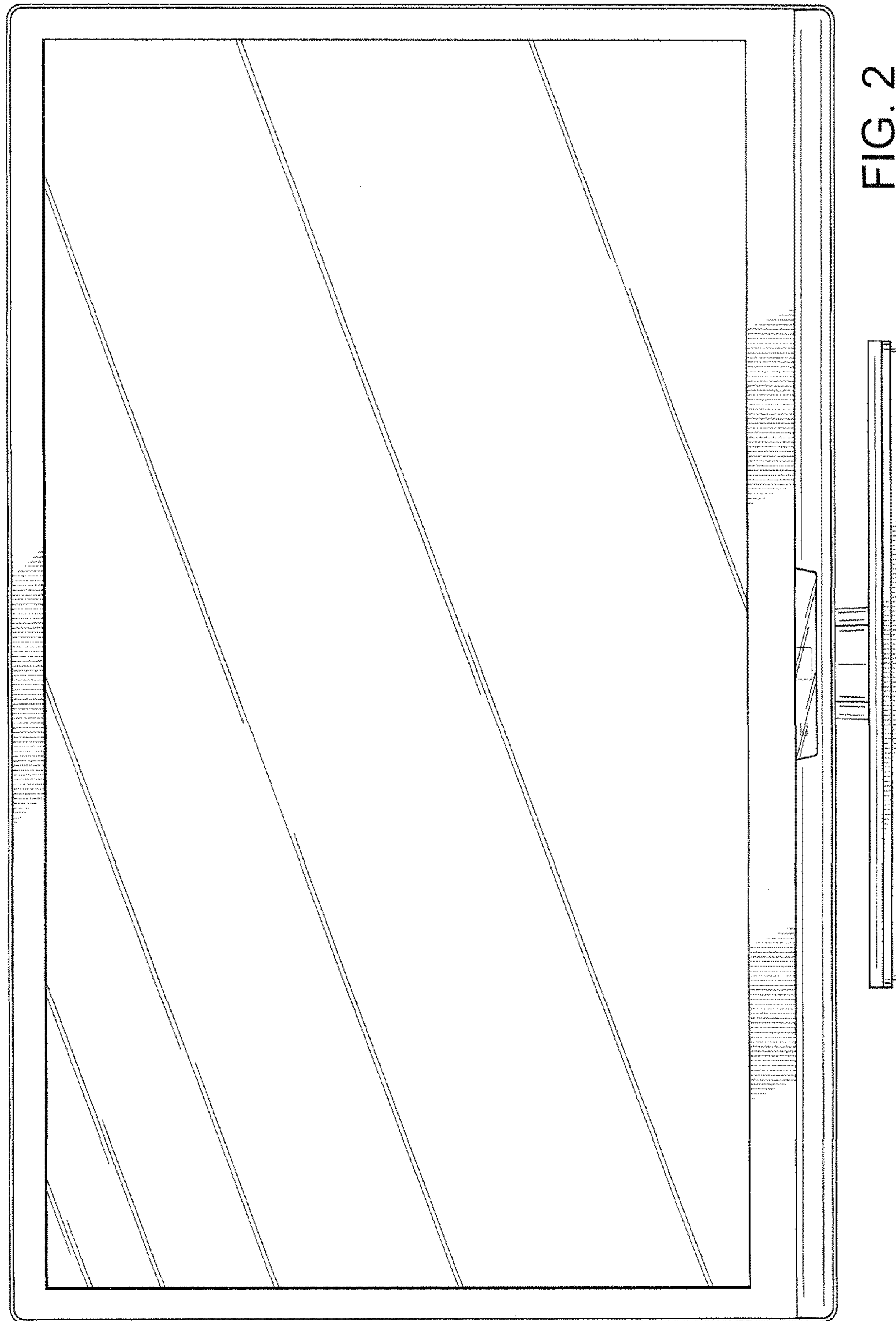


FIG. 2

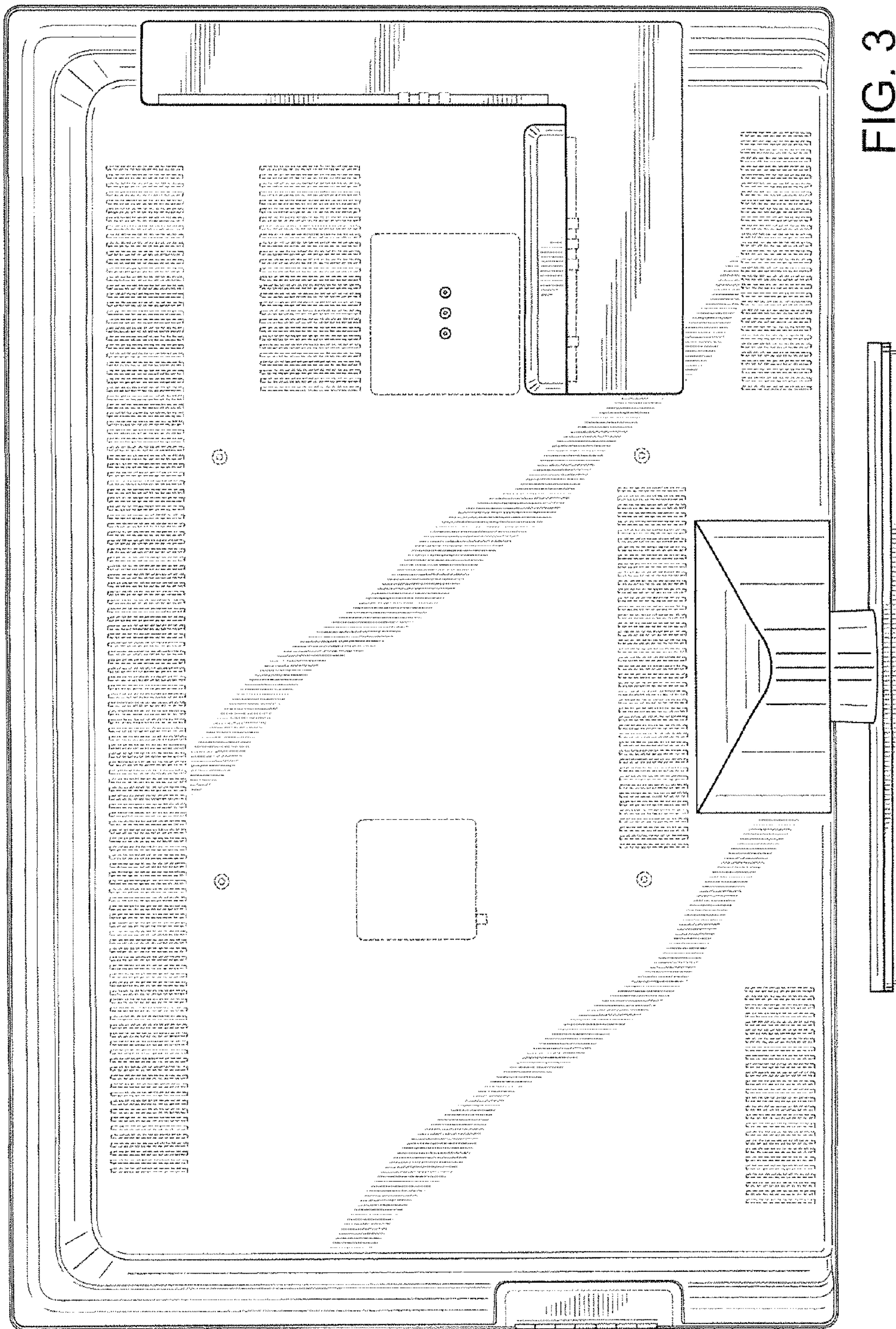


FIG. 3

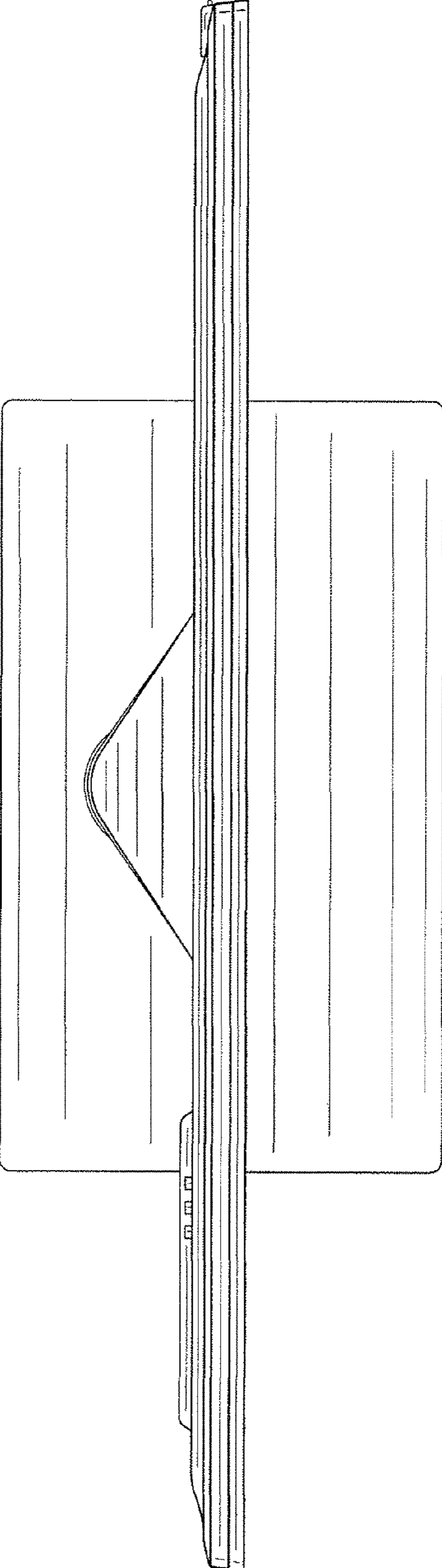


FIG. 4

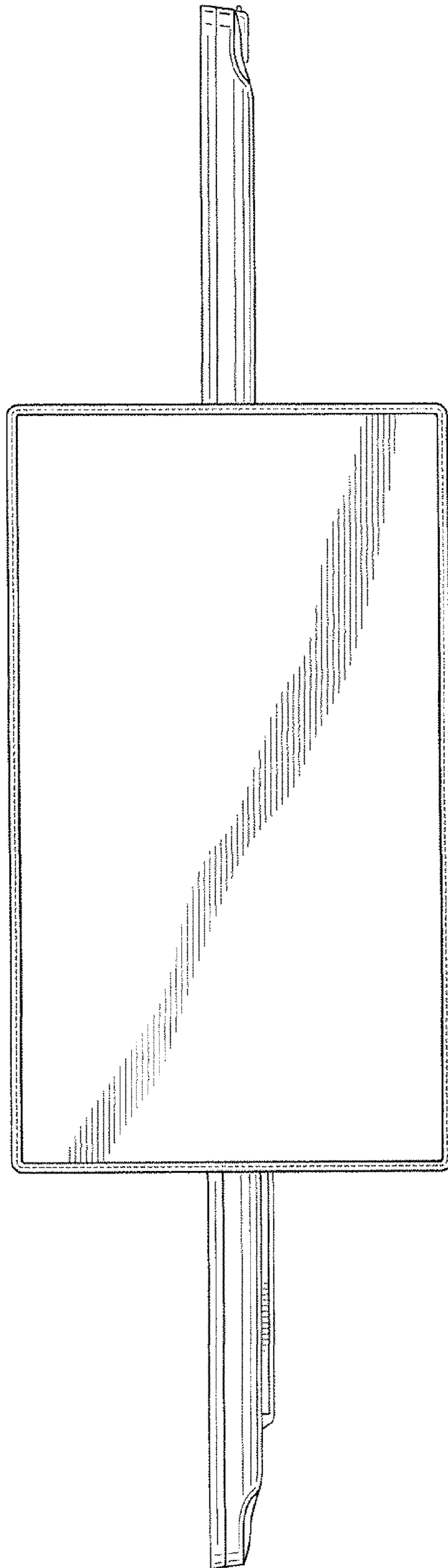


FIG. 5

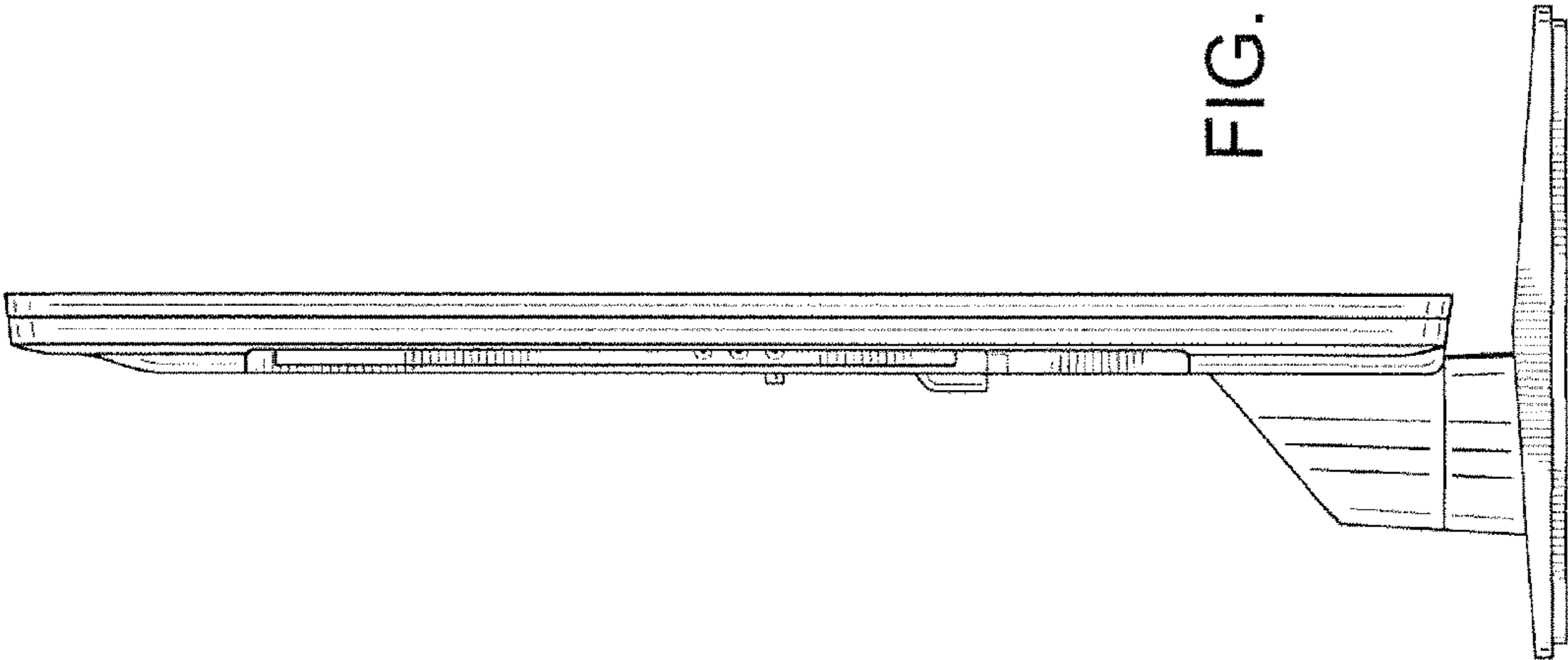


FIG. 7

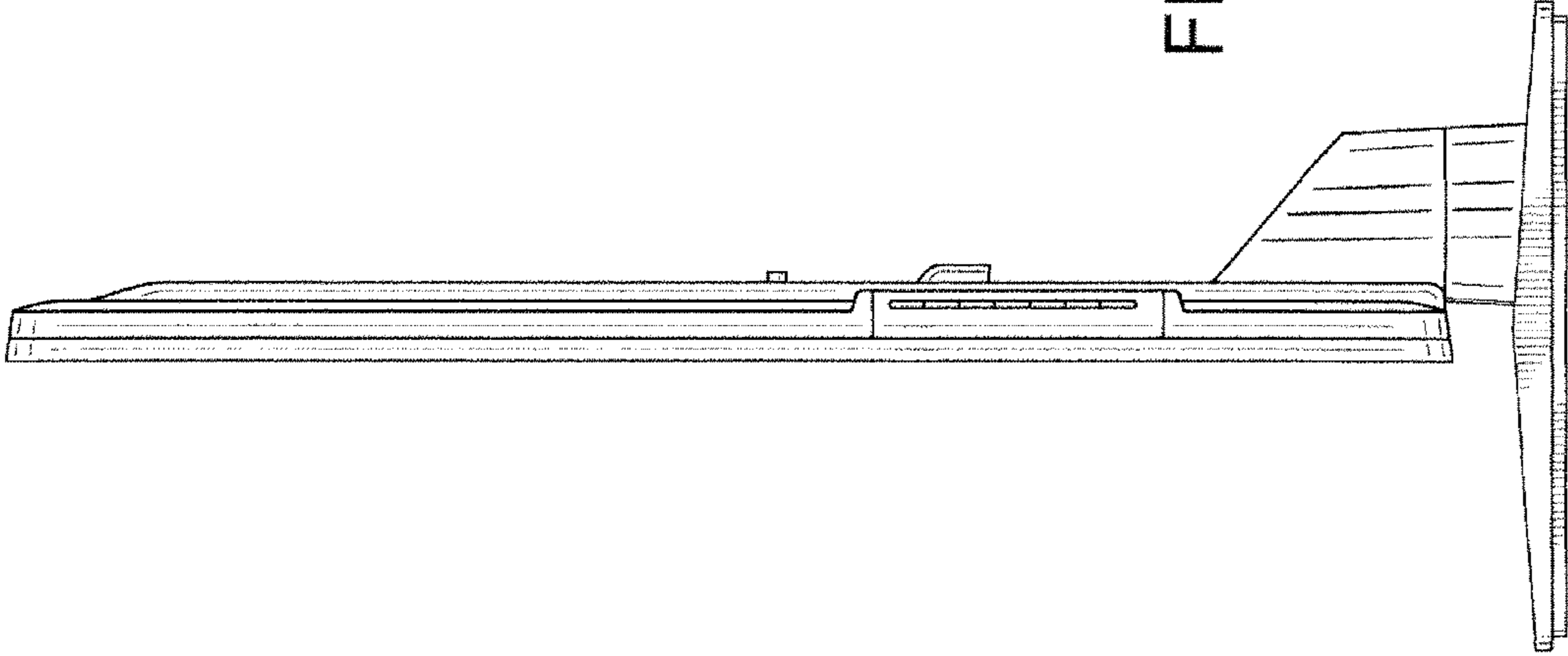


FIG. 6