



US00D656469S

(12) **United States Design Patent**
Shimizu et al.

(10) **Patent No.:** **US D656,469 S**
(45) **Date of Patent:** **** Mar. 27, 2012**

(54) **PORTION OF A LIGHT-EMITTING DIODE**

(75) Inventors: **Satoshi Shimizu**, Kitakyushu (JP);
Mami Yamamoto, Kitakyushu (JP);
Kazuhisa Iwashita, Kitakyushu (JP);
Kazuhiro Inoue, Kitakyushu (JP);
Teruo Takeuchi, Kitakyushu (JP)

(73) Assignee: **Kabushiki Kaisha Toshiba**, Tokyo (JP)

(**) Term: **14 Years**

(21) Appl. No.: **29/396,497**

(22) Filed: **Jun. 30, 2011**

(30) **Foreign Application Priority Data**

Apr. 28, 2011 (JP) 2011-010051

(51) **LOC (9) Cl.** **13-03**

(52) **U.S. Cl.** **D13/180**

(58) **Field of Classification Search** D13/180;
D26/1, 2; 257/79, 80, 81, 88, 89, 95, 98,
257/99, 100, E33.058; 313/483, 498, 500;
362/555, 800

See application file for complete search history.

(56) **References Cited**

U.S. PATENT DOCUMENTS

D576,571 S	9/2008	Itai	
D599,303 S *	9/2009	Seo et al.	D13/180
D624,032 S *	9/2010	Takeuchi et al.	D13/180
D624,033 S *	9/2010	Takeuchi et al.	D13/180
D624,034 S *	9/2010	Takeuchi et al.	D13/180
D624,886 S	10/2010	Ni et al.	
D626,097 S *	10/2010	Takeuchi et al.	D13/180
D629,767 S *	12/2010	Shimizu et al.	D13/180
D644,190 S *	8/2011	Shimizu et al.	D13/180
D644,191 S *	8/2011	Shimizu et al.	D13/180
2010/0123156 A1 *	5/2010	Seo et al.	257/99
2011/0062482 A1 *	3/2011	Solomensky et al.	257/99

2011/0186901 A1 *	8/2011	Ushiyama et al.	257/99
2011/0186902 A1 *	8/2011	Egoshi et al.	257/99
2011/0210366 A1 *	9/2011	Seo et al.	257/98

FOREIGN PATENT DOCUMENTS

JP	1350595	2/2009
JP	1408848	3/2011
KR	30-0419506	7/2006
KR	30-0506437	9/2008
KR	1350595	2/2009

* cited by examiner

Primary Examiner — Selina Sikder

(74) *Attorney, Agent, or Firm* — Banner & Witcoff, Ltd.

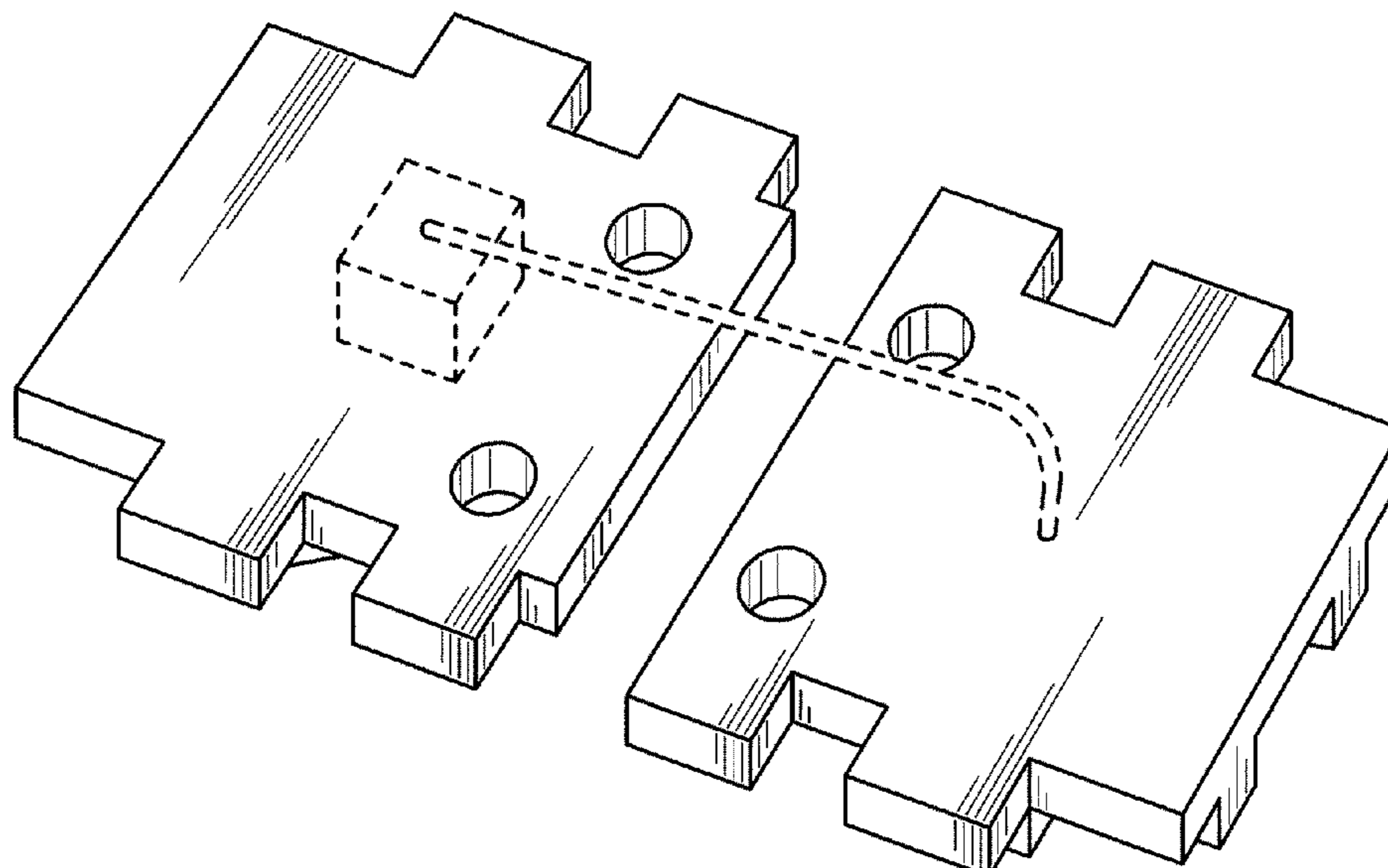
(57) **CLAIM**

The ornamental design for a portion of a light-emitting diode, as shown and described.

DESCRIPTION

FIG. 1 is a front perspective view of a portion of a light-emitting diode, showing our new design; FIG. 2 is a rear perspective view thereof; FIG. 3 is a front elevational view thereof; FIG. 4 is a rear elevational view thereof; FIG. 5 is a top plan view thereof; FIG. 6 is a bottom plan view thereof; FIG. 7 is a left side elevational view thereof; FIG. 8 is a right side elevational view thereof; FIG. 9 is a front perspective view thereof, wherein the broken lines are shown for illustrative purpose only and form no part of the claimed design; and, FIG. 10 is a rear perspective view thereof, wherein the broken lines are shown for illustrative purpose only and form no part of the claimed design. The broken lines are shown for illustrative purpose only and form no part of the claimed design.

1 Claim, 8 Drawing Sheets



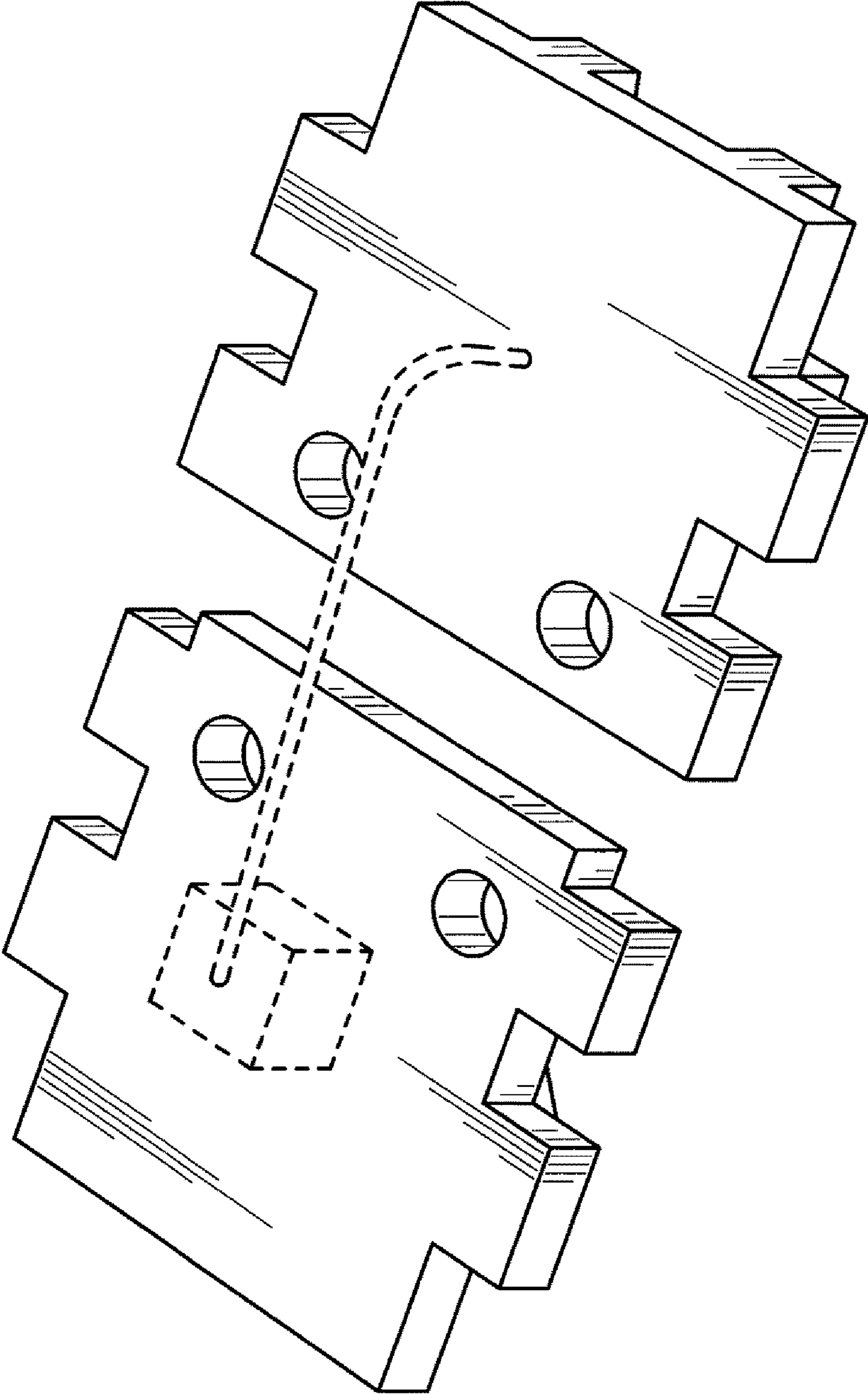


FIG.1

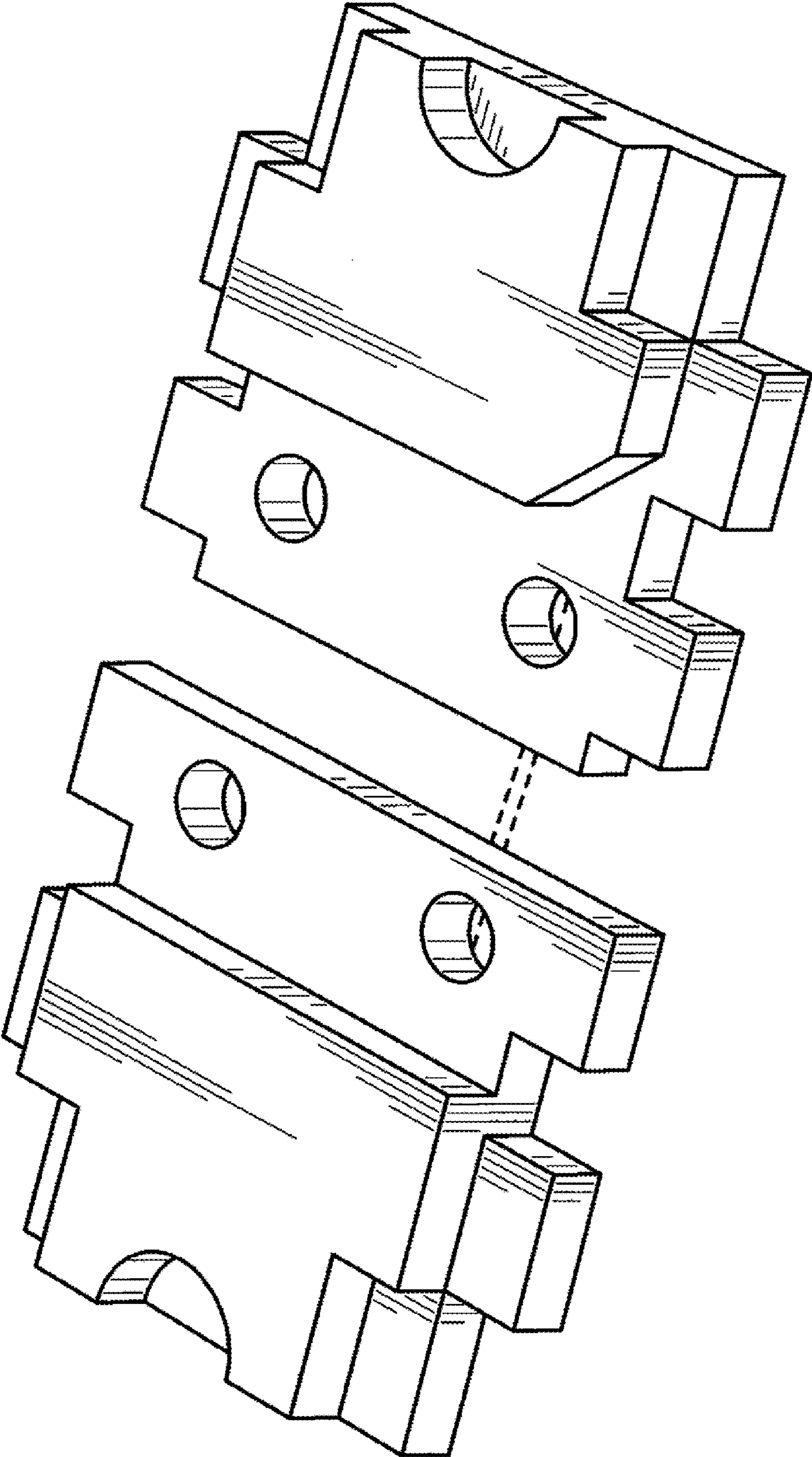


FIG.2

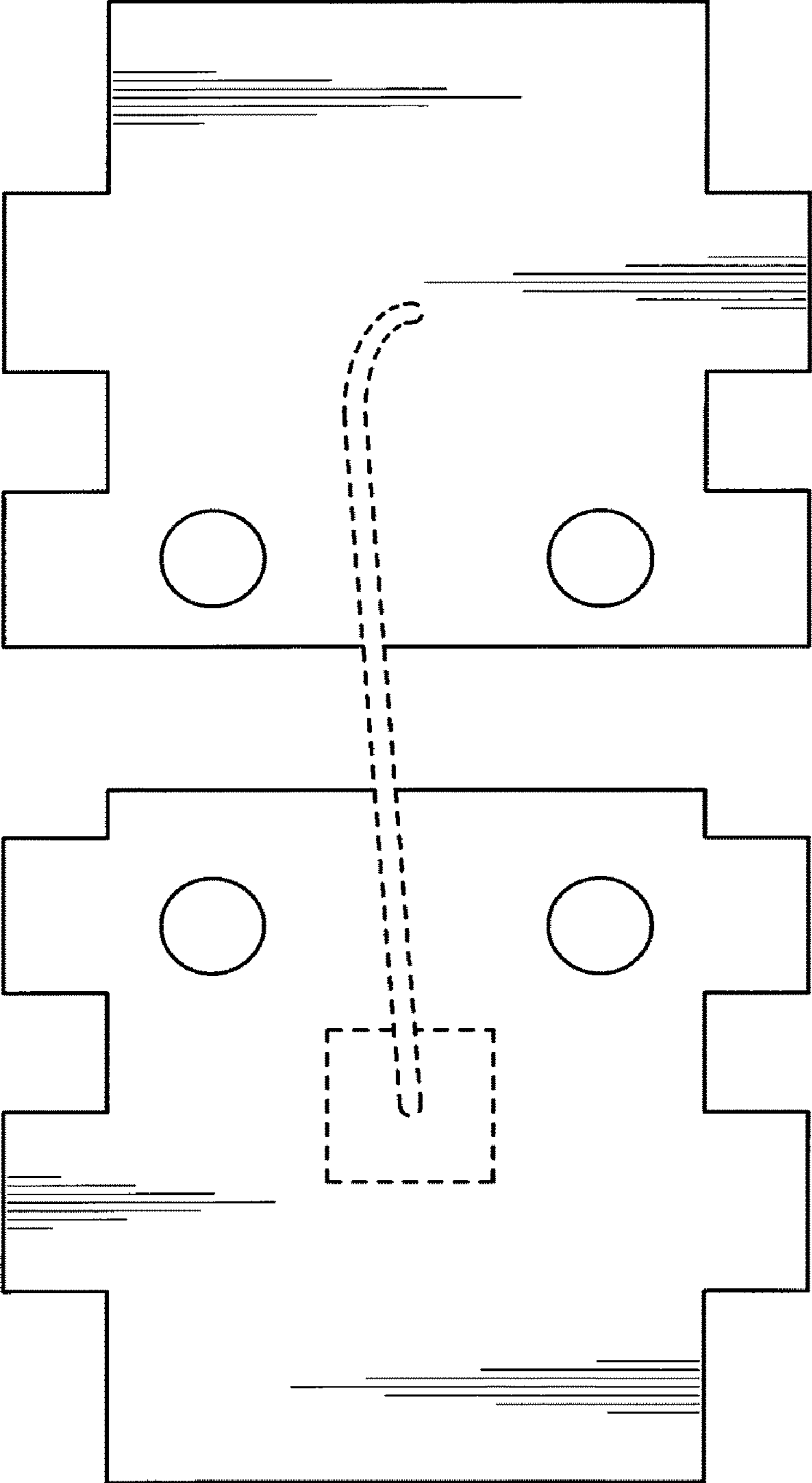


FIG.3

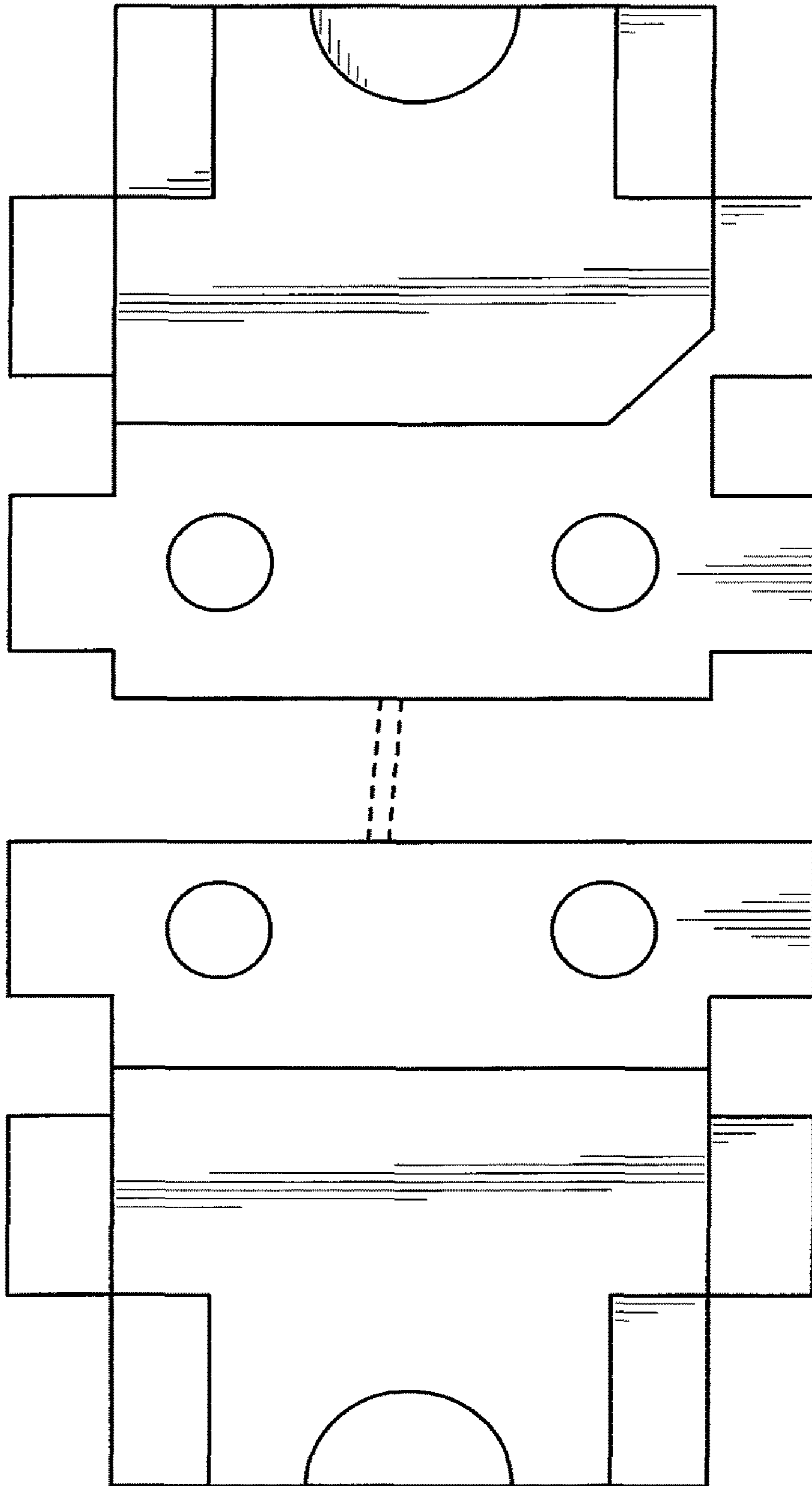


FIG. 4

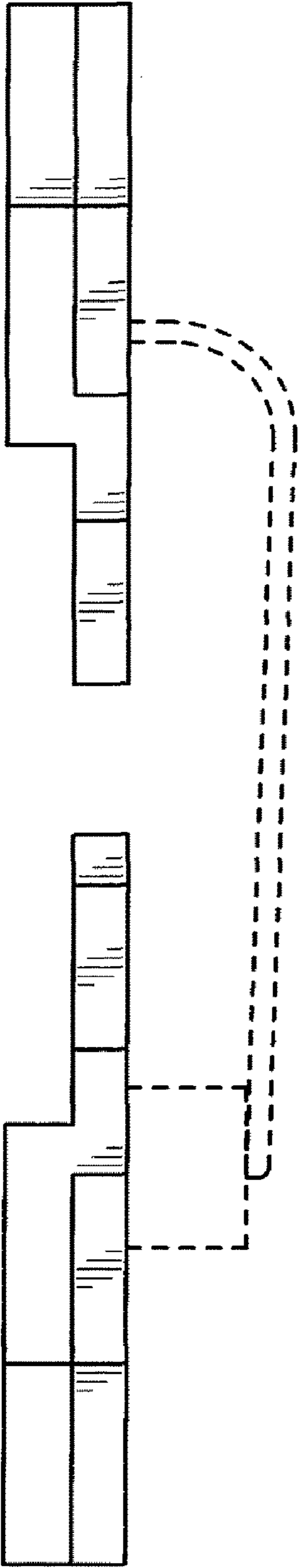


FIG. 5

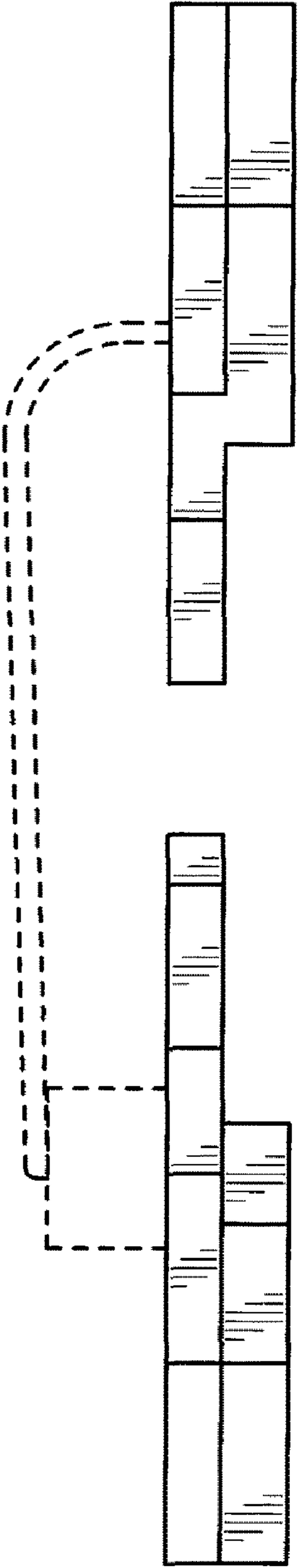


FIG. 6

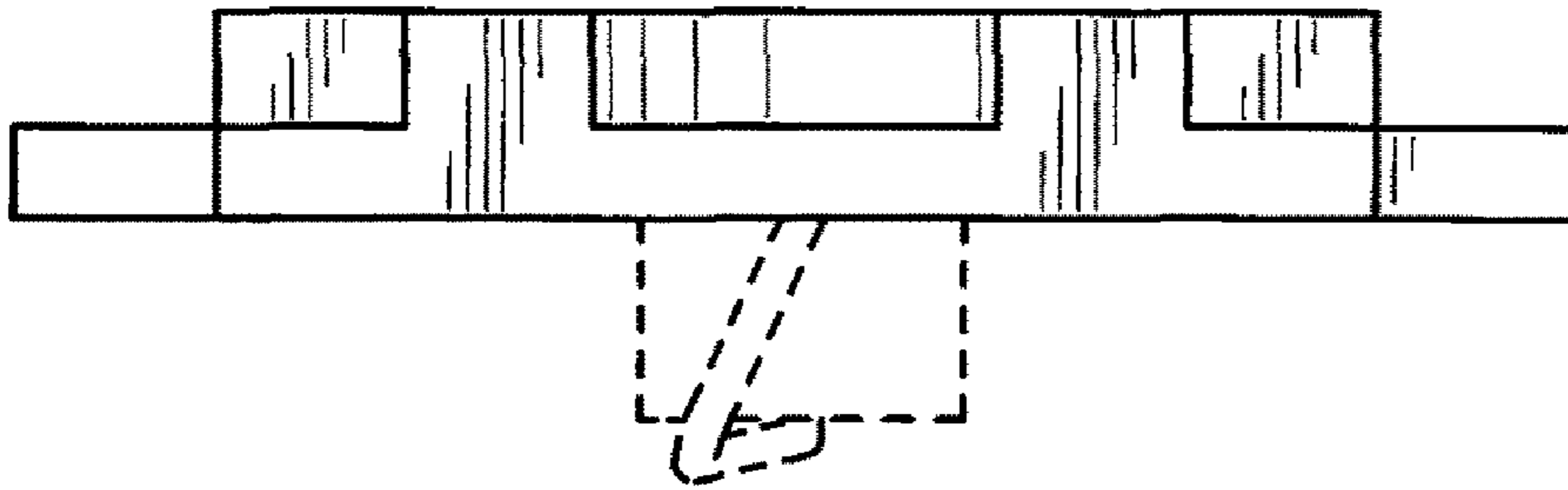


FIG. 8

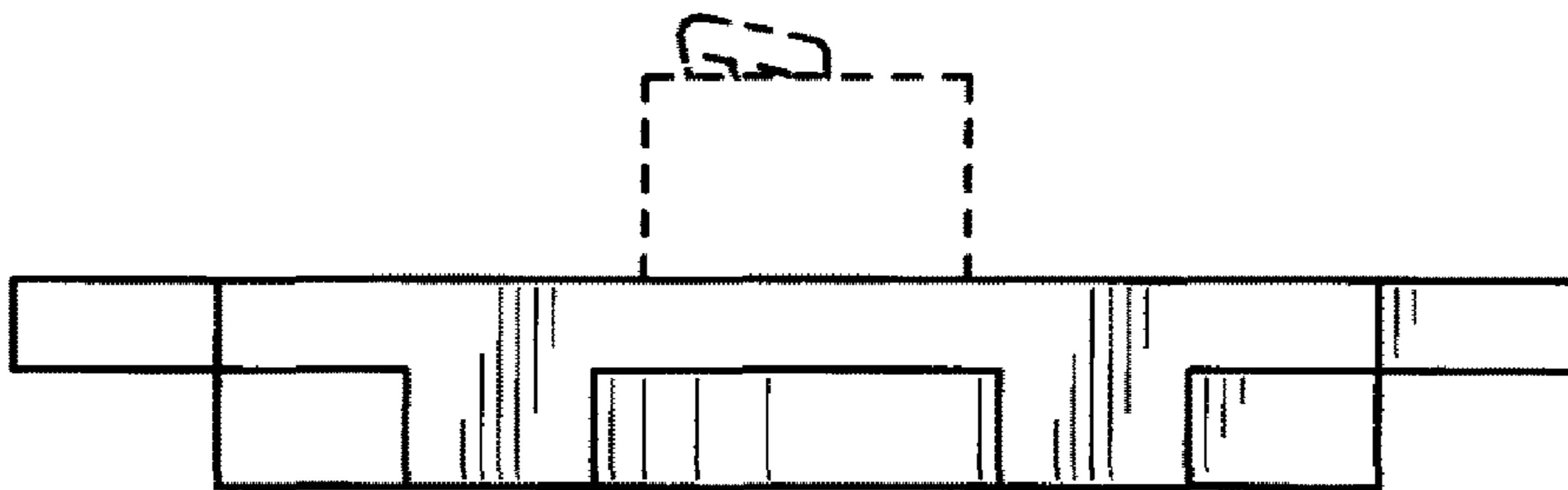


FIG. 7

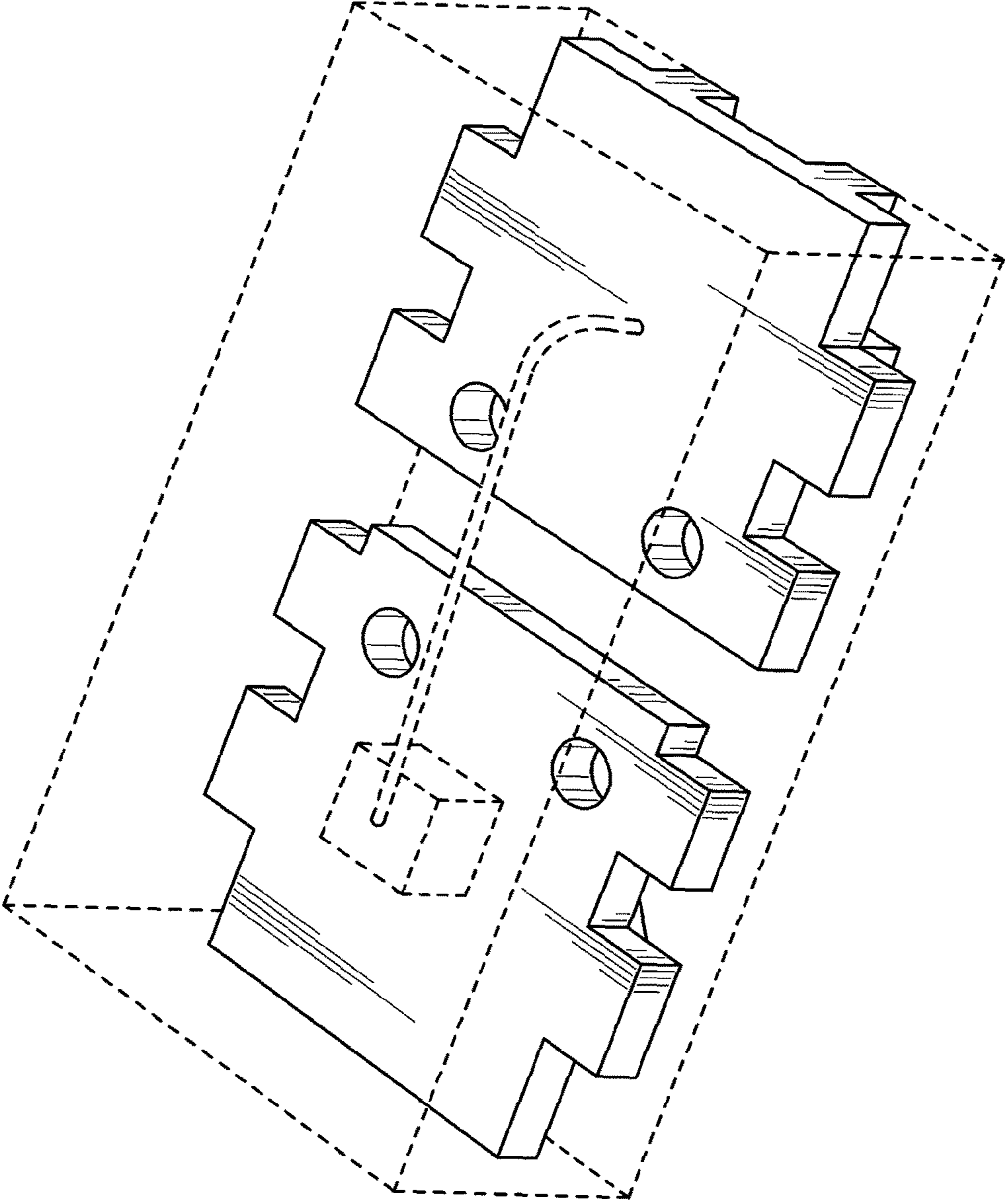


FIG.9

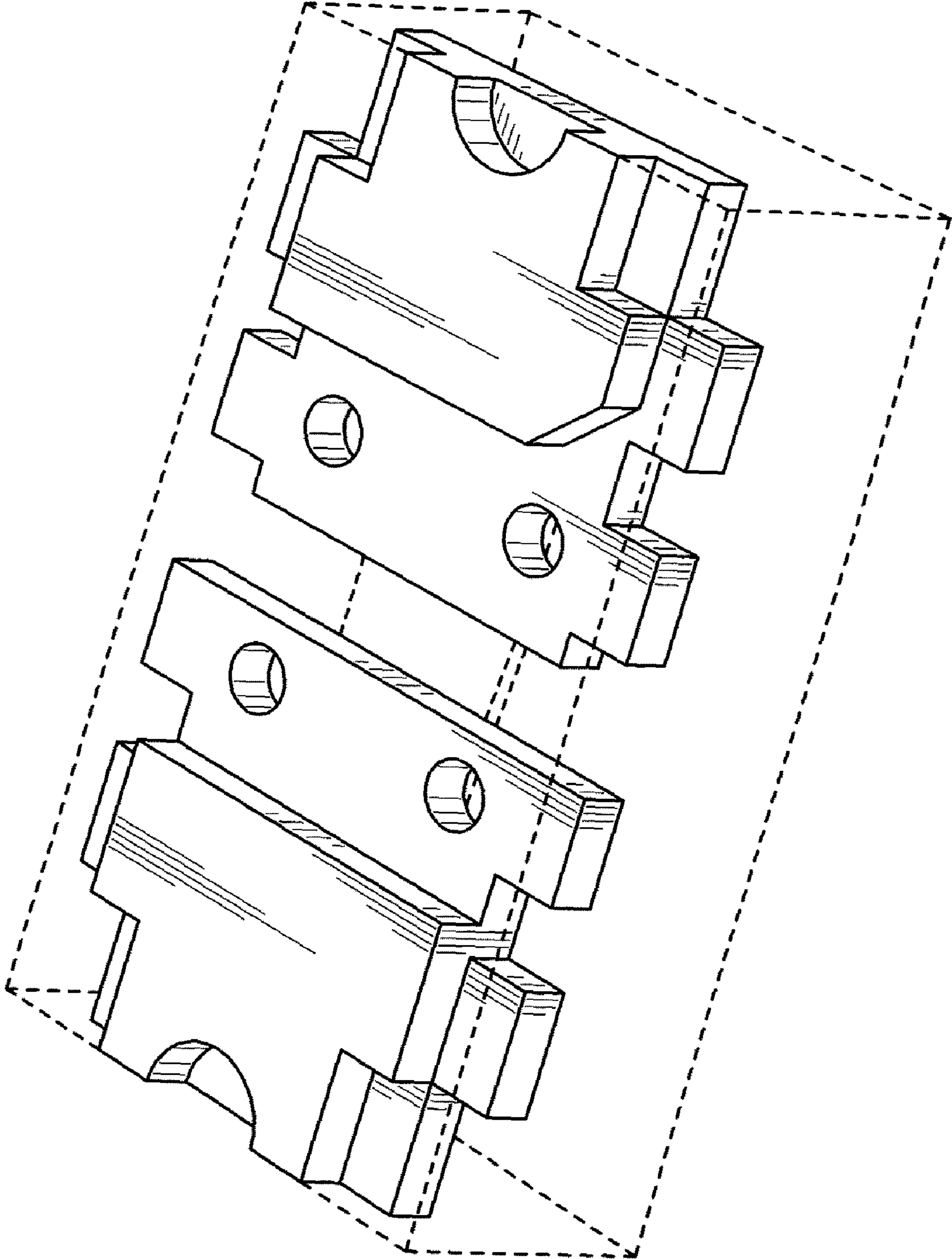


FIG.10