



US00D656468S

(12) **United States Design Patent**
Park et al.

(10) **Patent No.:** **US D656,468 S**

(45) **Date of Patent:** **** Mar. 27, 2012**

(54) **LIGHT EMITTING DIODE**

(75) Inventors: **Gwui Youn Park**, Gyeonggi-do (KR);
Duk Jin Jun, Gyeonggi-do (KR); **Hong**
Hyouon Kim, Seoul (KR); **Jae Jin Choi**,
Gyeonggi-do (KR); **Jong Bum Choi**,
Gyeonggi-do (KR); **Dong Hyun Yu**,
Gyeonggi-do (KR); **Je Kwon Yoon**,
Seoul (KR)

(73) Assignee: **LG Display Co., Ltd.**, Seoul (KR)

(**) Term: **14 Years**

(21) Appl. No.: **29/393,112**

(22) Filed: **May 31, 2011**

(51) **LOC (9) Cl.** **13-03**

(52) **U.S. Cl.** **D13/180**

(58) **Field of Classification Search** D13/180;
D26/1, 2; 257/79, 80, 81, 88, 89, 95, 98,
257/99, 100, E33.058; 313/483, 498, 500;
362/555, 800

See application file for complete search history.

(56) **References Cited**

U.S. PATENT DOCUMENTS

D622,680	S	*	8/2010	Lin et al.	D13/180
D627,310	S	*	11/2010	Lin et al.	D13/180
D644,617	S	*	9/2011	Nishino et al.	D13/180
D645,424	S	*	9/2011	Lee et al.	D13/180
D645,425	S	*	9/2011	Lin et al.	D13/180
D647,070	S	*	10/2011	Huang et al.	D13/180

* cited by examiner

Primary Examiner — Selina Sikder

(74) *Attorney, Agent, or Firm* — Morgan, Lewis & Bockius LLP

(57) **CLAIM**

The ornamental design for a light emitting diode, as shown and described.

DESCRIPTION

FIG. 1 is a perspective view of a light emitting diode showing our new design;
FIG. 2 is a front view thereof;
FIG. 3 is a rear view thereof;
FIG. 4 is a left side view thereof;
FIG. 5 is a right side view thereof;
FIG. 6 is a top plan view thereof;
FIG. 7 is a bottom plan view thereof; and,
FIG. 8 is a cross-sectional view taken along line A-A' seen in FIG. 2.

1 Claim, 8 Drawing Sheets

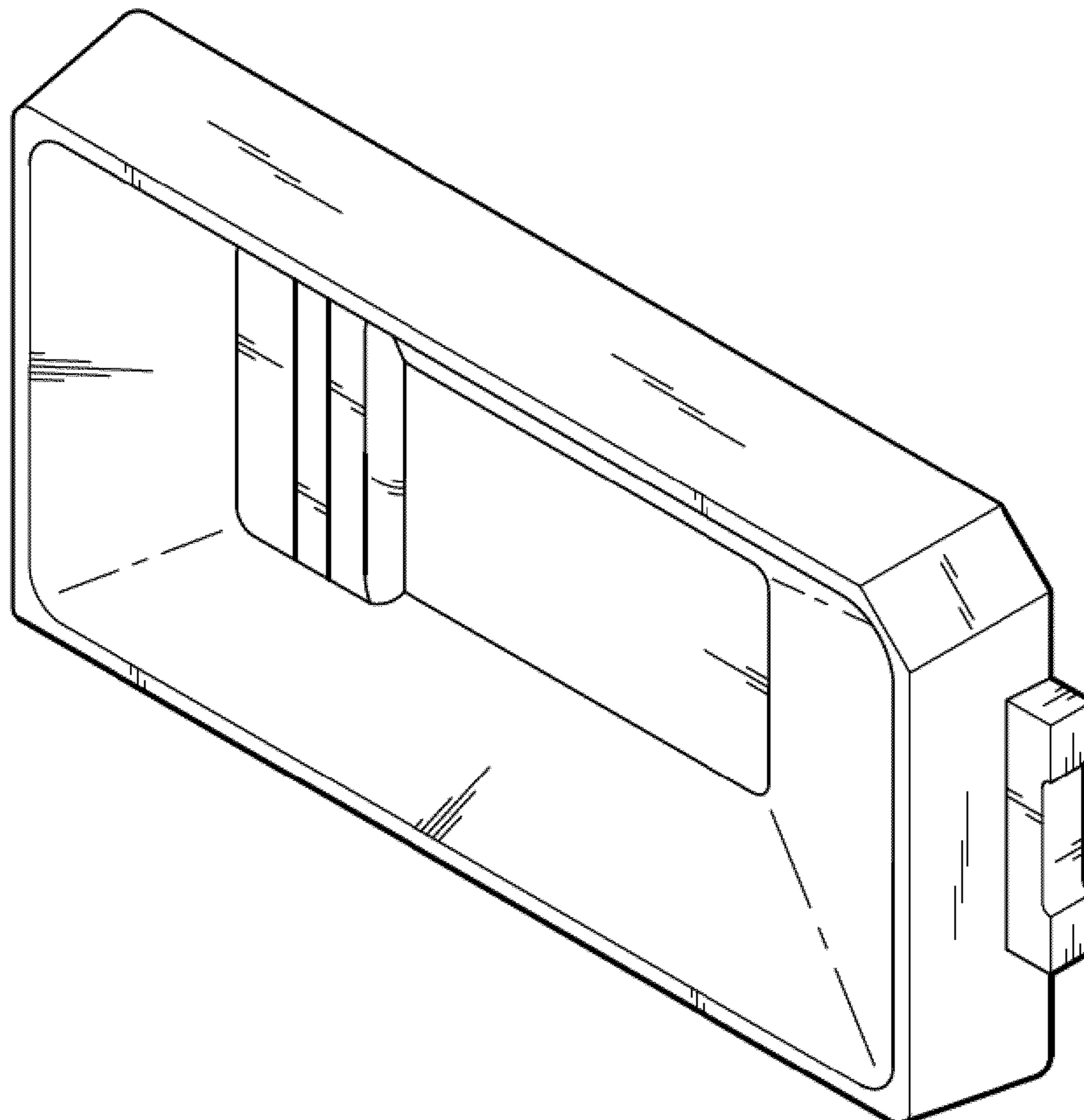


FIG. 1

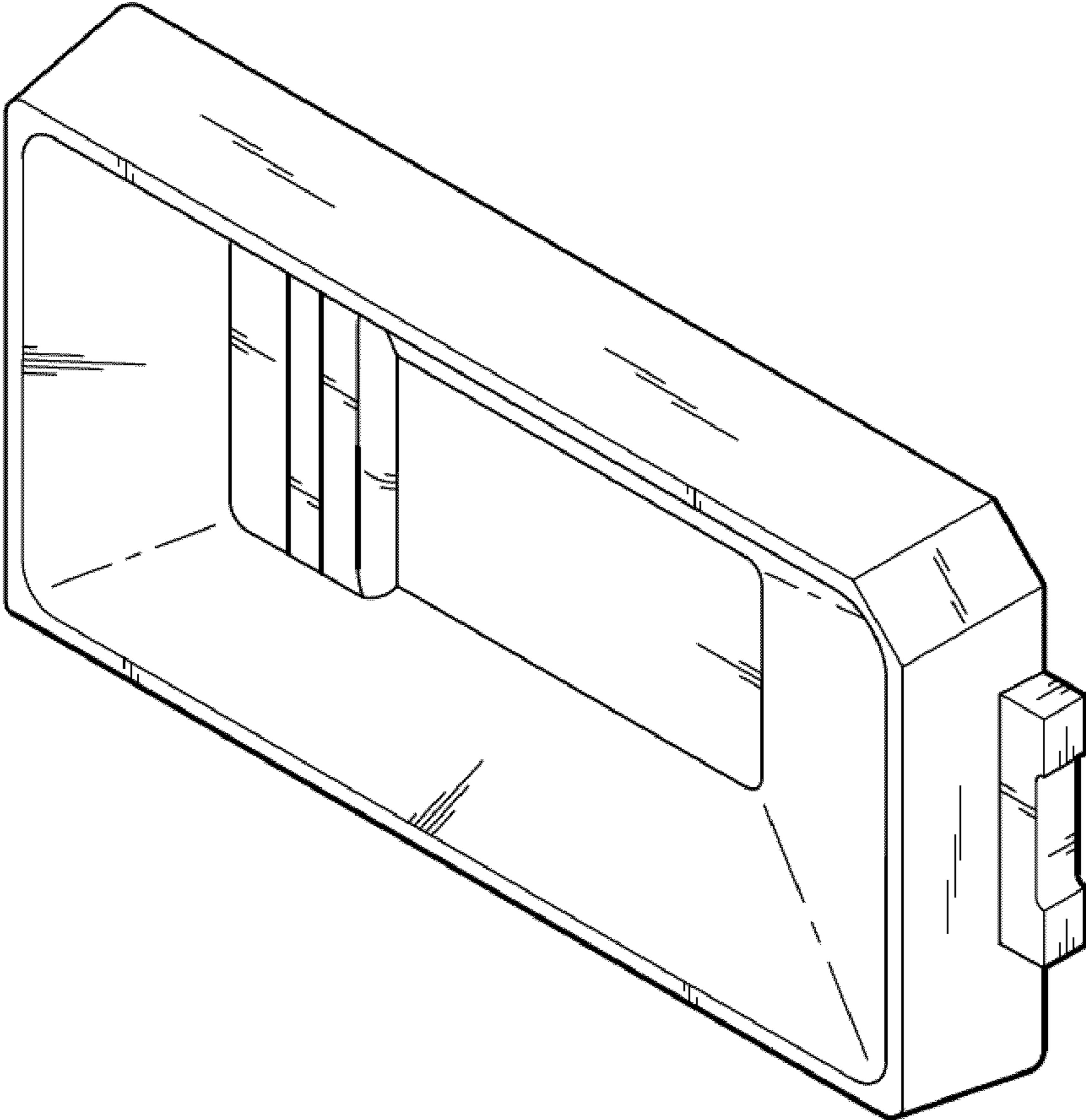


FIG. 2

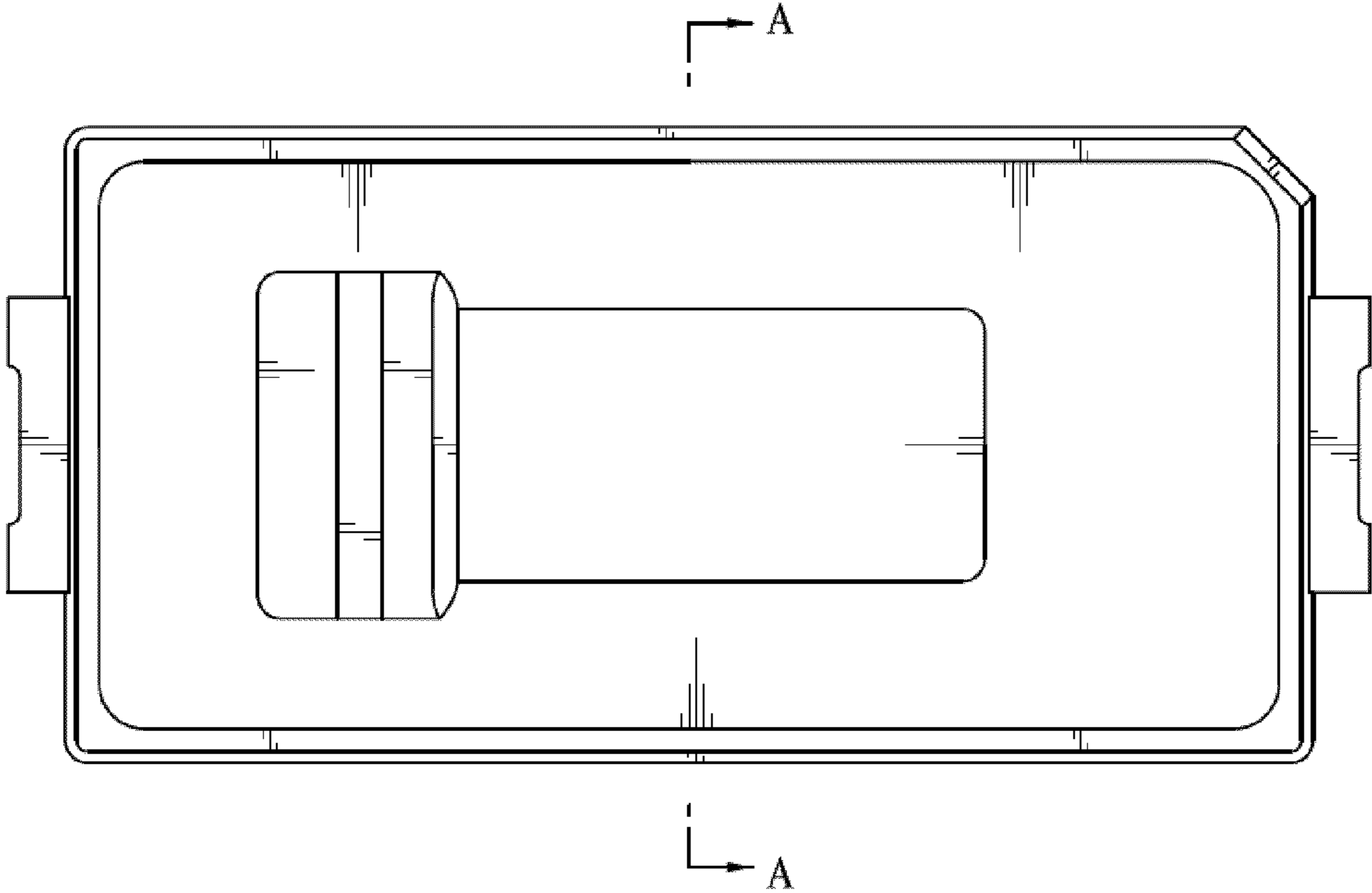


FIG. 3

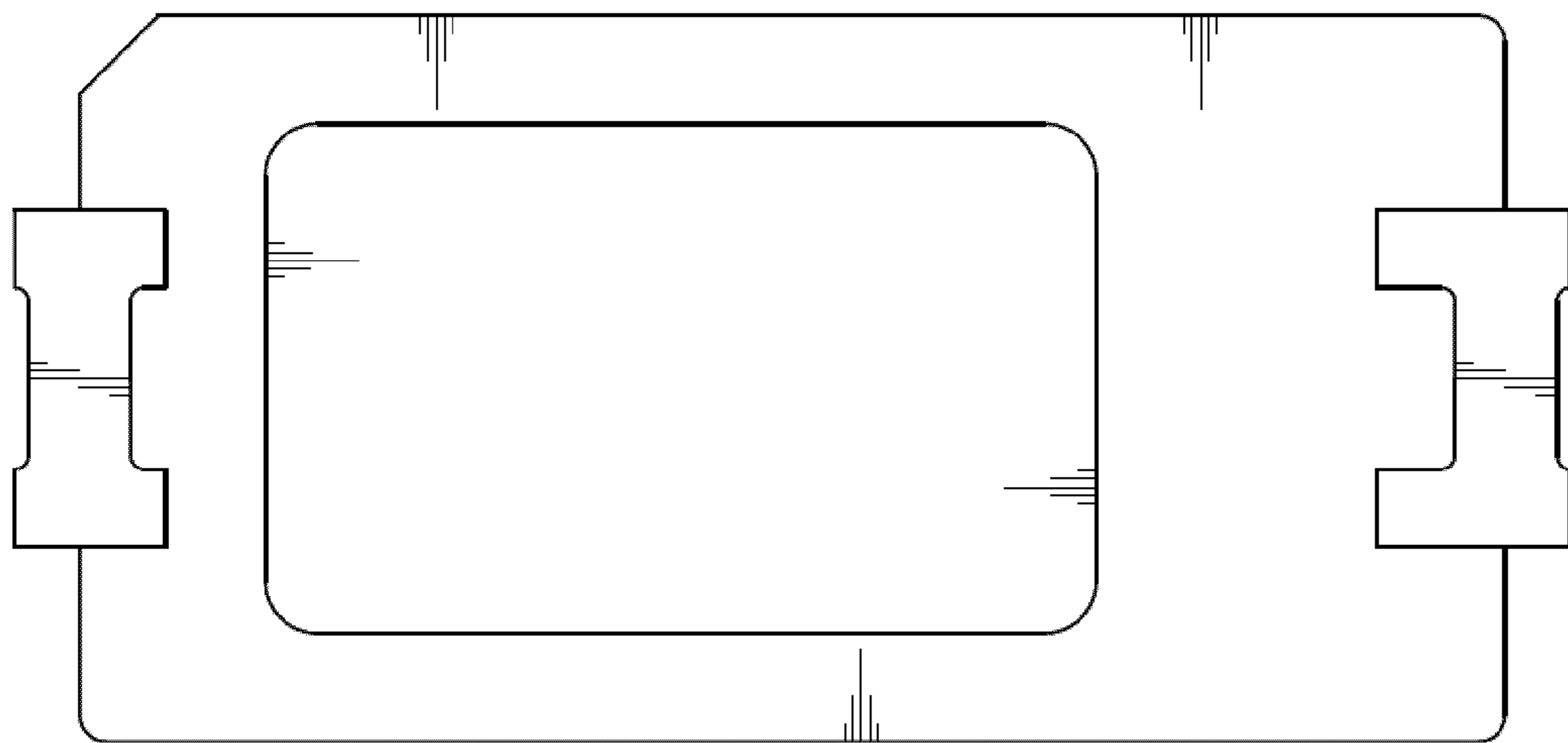


FIG. 4

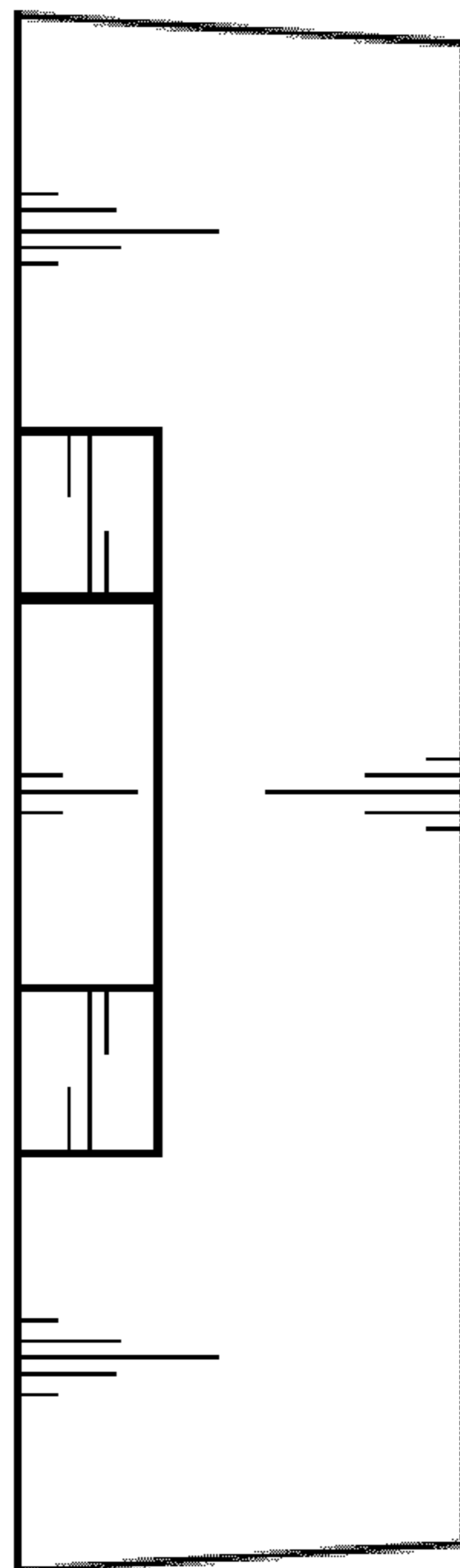


FIG. 5

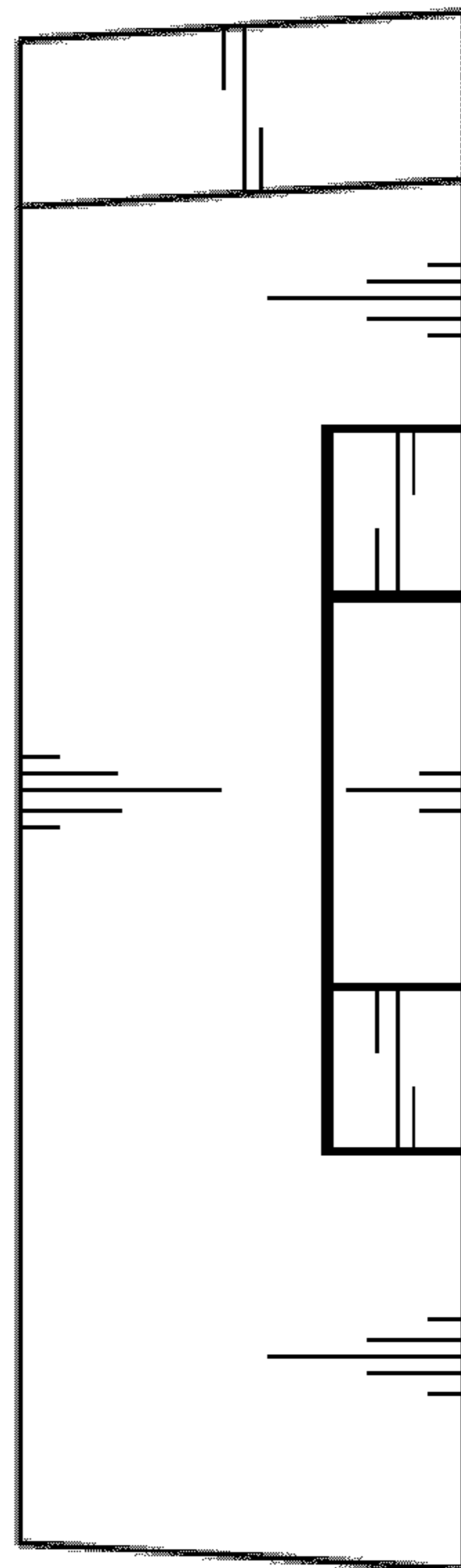


FIG. 6

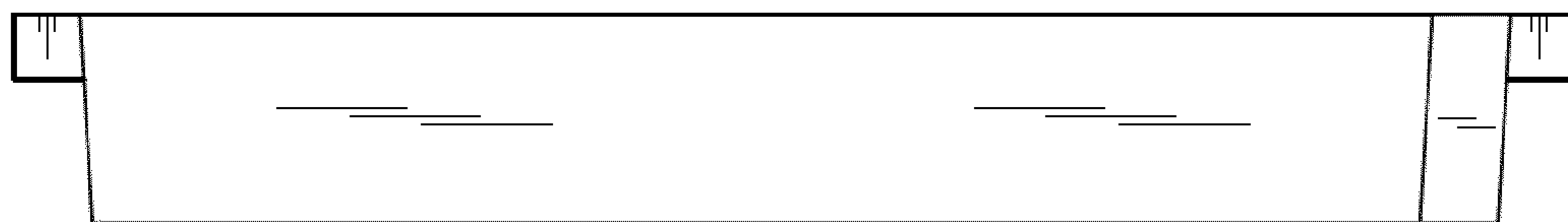


FIG. 7



FIG. 8

