



US00D656467S

(12) **United States Design Patent**
Okubo et al.

(10) **Patent No.:** **US D656,467 S**
(45) **Date of Patent:** **** Mar. 27, 2012**

(54) **AUXILIARY CONTACT BLOCK FOR
MAGNETIC CONTACTOR**

(75) Inventors: **Koji Okubo**, Tokyo (JP); **Kouetsu Takaya**, Tokyo (JP); **Yasuhiro Naka**, Tokyo (JP); **Yutaka Nakamura**, Tokyo (JP); **Takashi Tsutsumi**, Tokyo (JP); **Hironobu Ariyoshi**, Tokyo (JP)

(73) Assignee: **Fuji Electric FA Components & Systems Co., Ltd.**, Tokyo (JP)

(**) Term: **14 Years**

(21) Appl. No.: **29/390,634**

(22) Filed: **Apr. 27, 2011**

(30) **Foreign Application Priority Data**

Oct. 29, 2010 (JP) D2010-026010

(51) **LOC (9) Cl.** **13-03**

(52) **U.S. Cl.** **D13/159**

(58) **Field of Classification Search** D13/158,
D13/159, 160, 162, 184, 199; 200/43.14,
200/50.01, 50.21-50.23; 361/42, 44, 50,
361/71, 115, 608, 634

See application file for complete search history.

(56) **References Cited**

U.S. PATENT DOCUMENTS

D406,564 S * 3/1999 Gonser D13/159
D479,204 S * 9/2003 Nurdogan D13/159
D481,362 S * 10/2003 Nurdogan D13/159
D621,369 S * 8/2010 Lin D13/159
D640,989 S * 7/2011 Detemple et al. D13/159

* cited by examiner

Primary Examiner — Thomas Johannes

(74) *Attorney, Agent, or Firm* — Young & Thompson

(57) **CLAIM**

The ornamental design for an auxiliary contact block for magnetic contactor, as shown and described.

DESCRIPTION

FIG. 1 is a perspective view of front, top and right side of an auxiliary contact block for magnetic contactor showing our new design;

FIG. 2 is a perspective view of rear, bottom and left side thereof;

FIG. 3 is a front view thereof;

FIG. 4 is a rear view thereof;

FIG. 5 is a left side view thereof;

FIG. 6 is a right side view thereof;

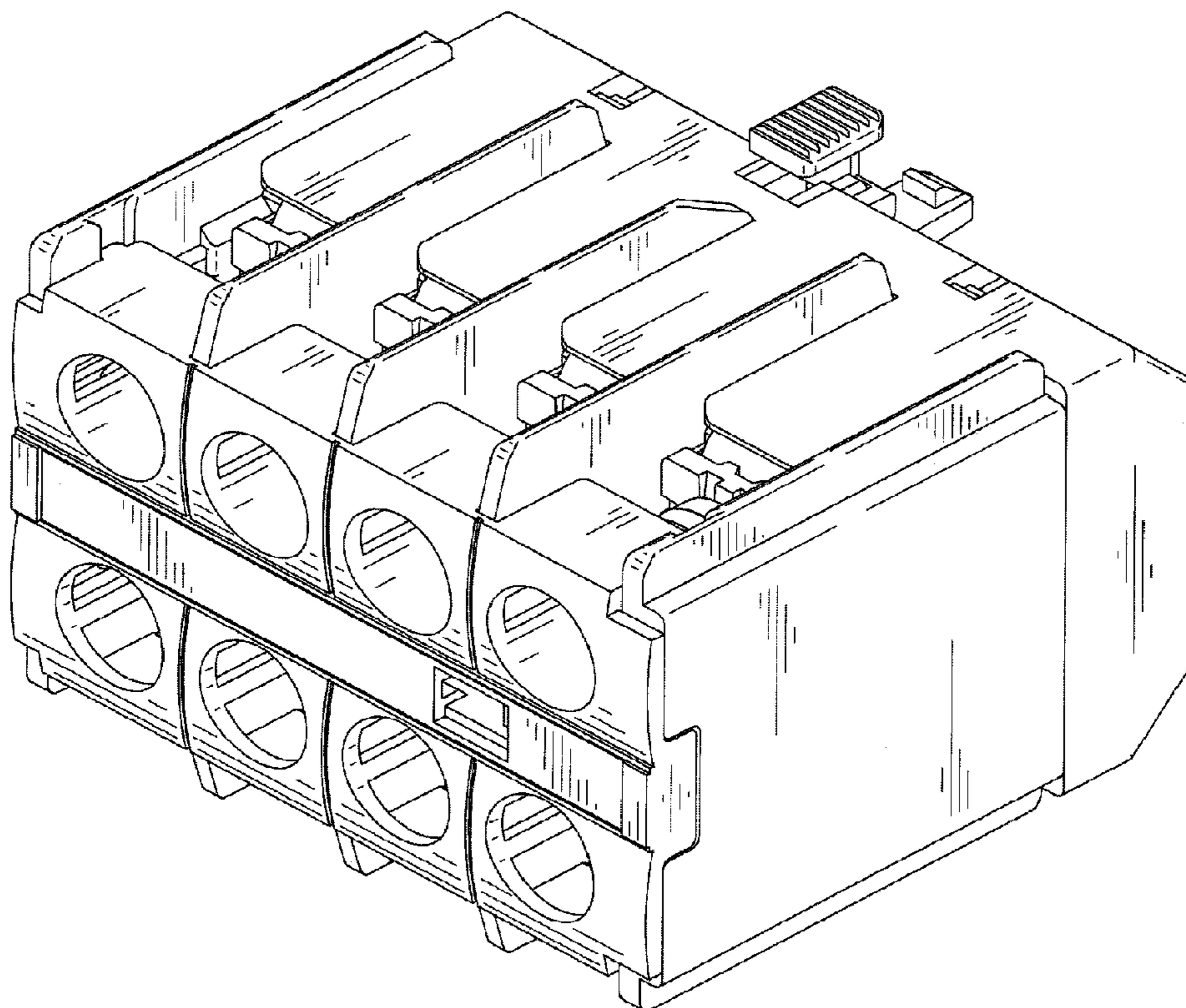
FIG. 7 is a top plan view thereof;

FIG. 8 is a bottom view thereof; and,

FIG. 9 is a reference view of usage thereof.

The portions of the article in broken lines are shown for illustrative purposes only and form no part of the claimed design.

1 Claim, 6 Drawing Sheets



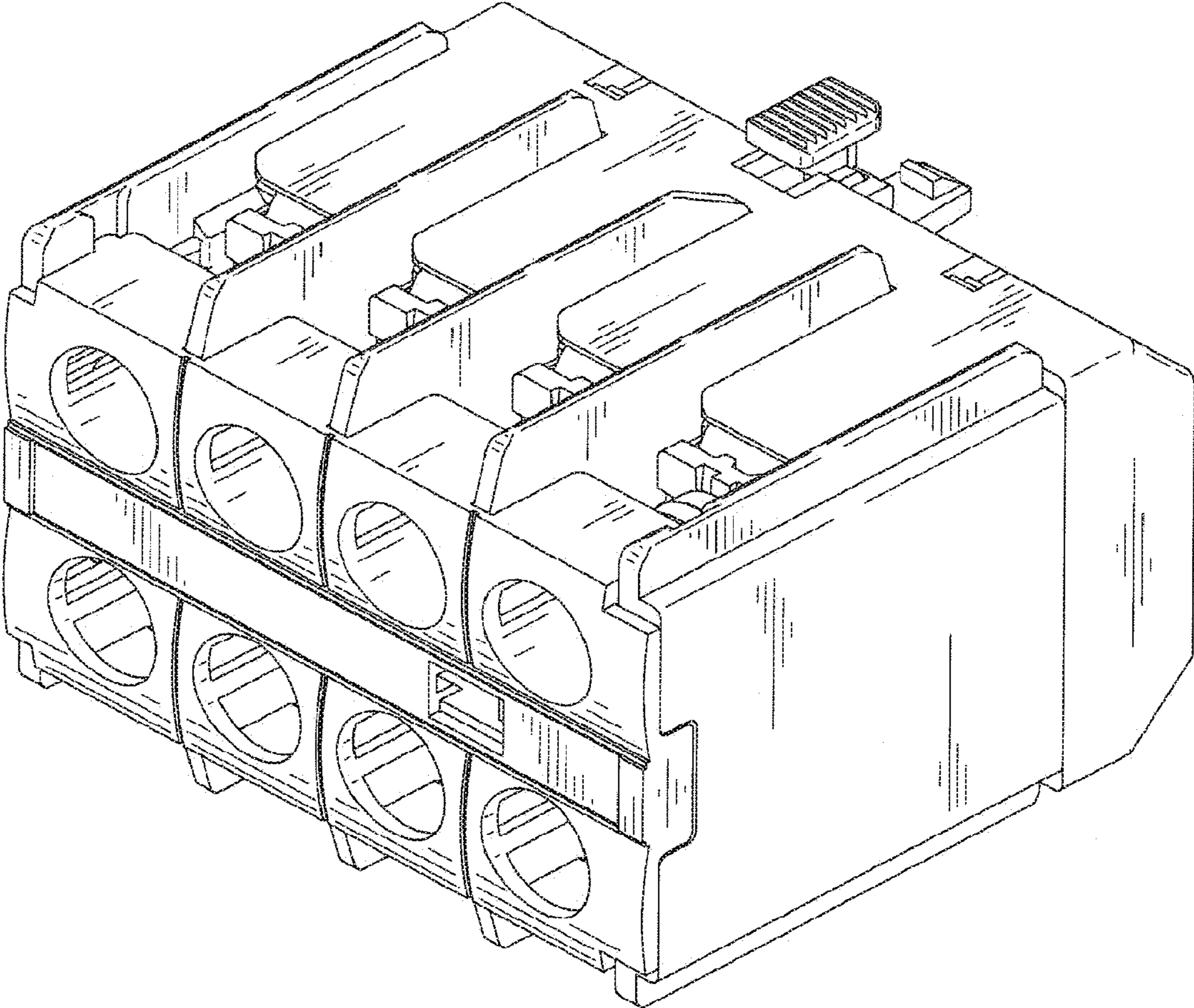


FIG. 1

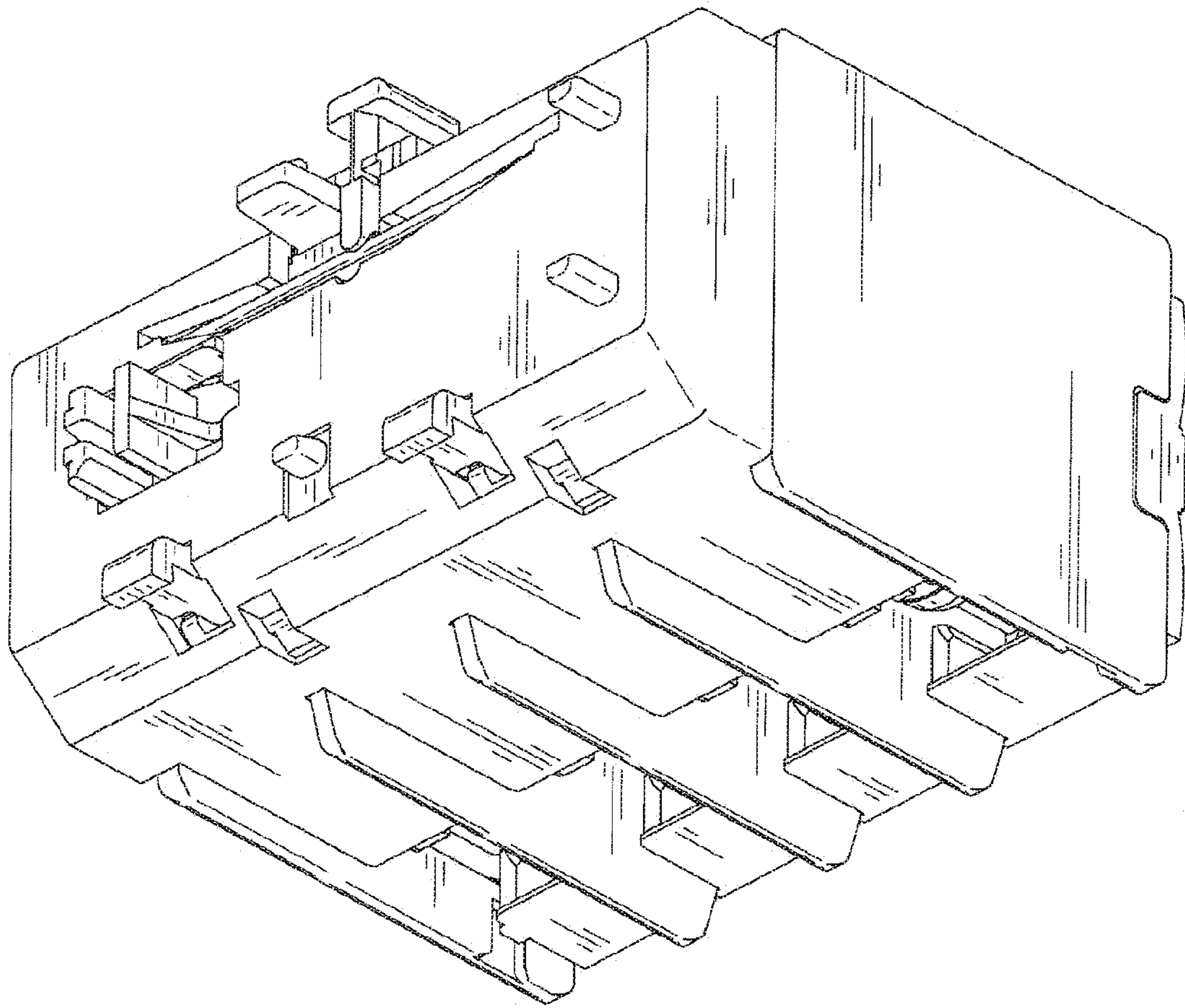


FIG. 2

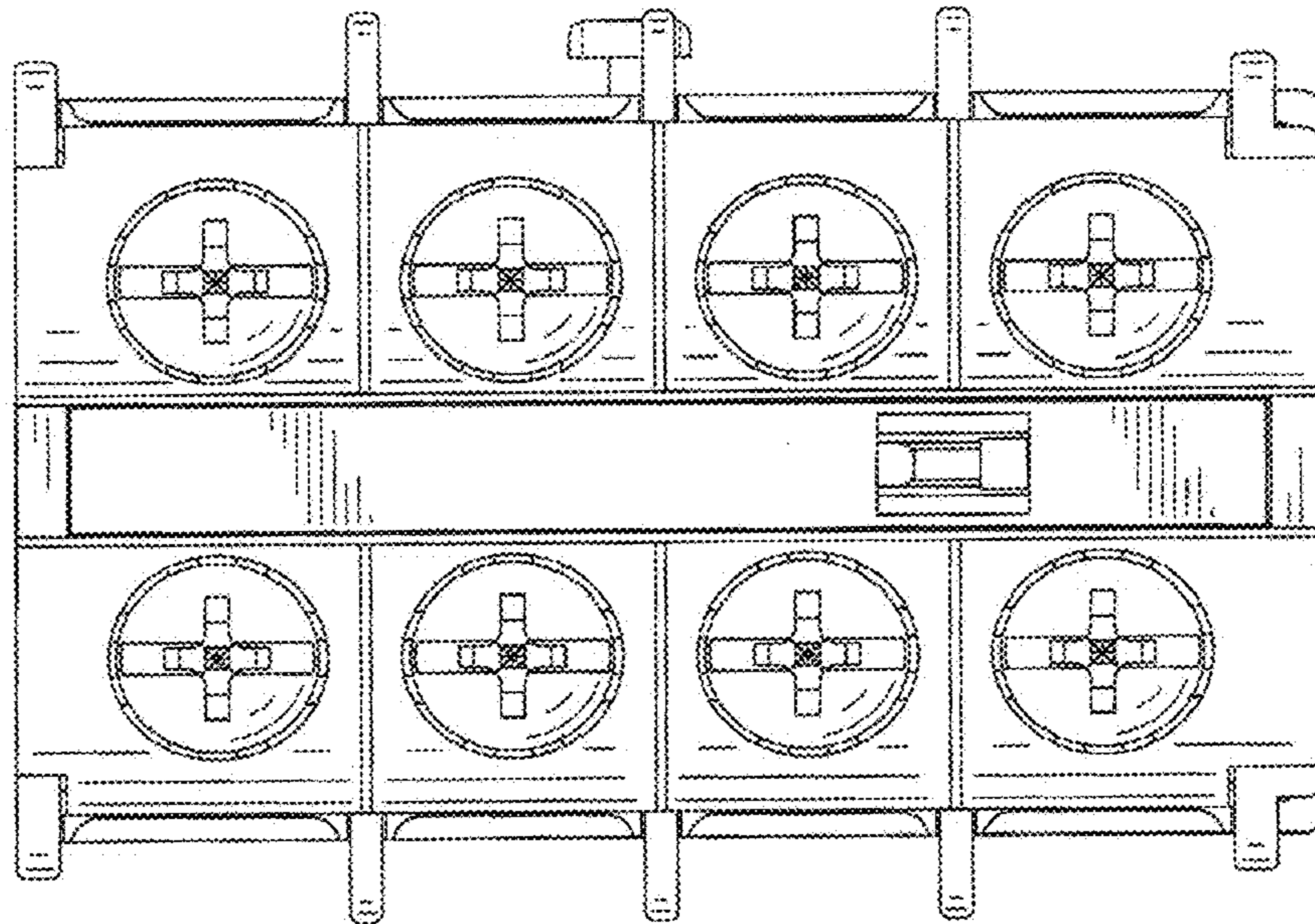


FIG. 3

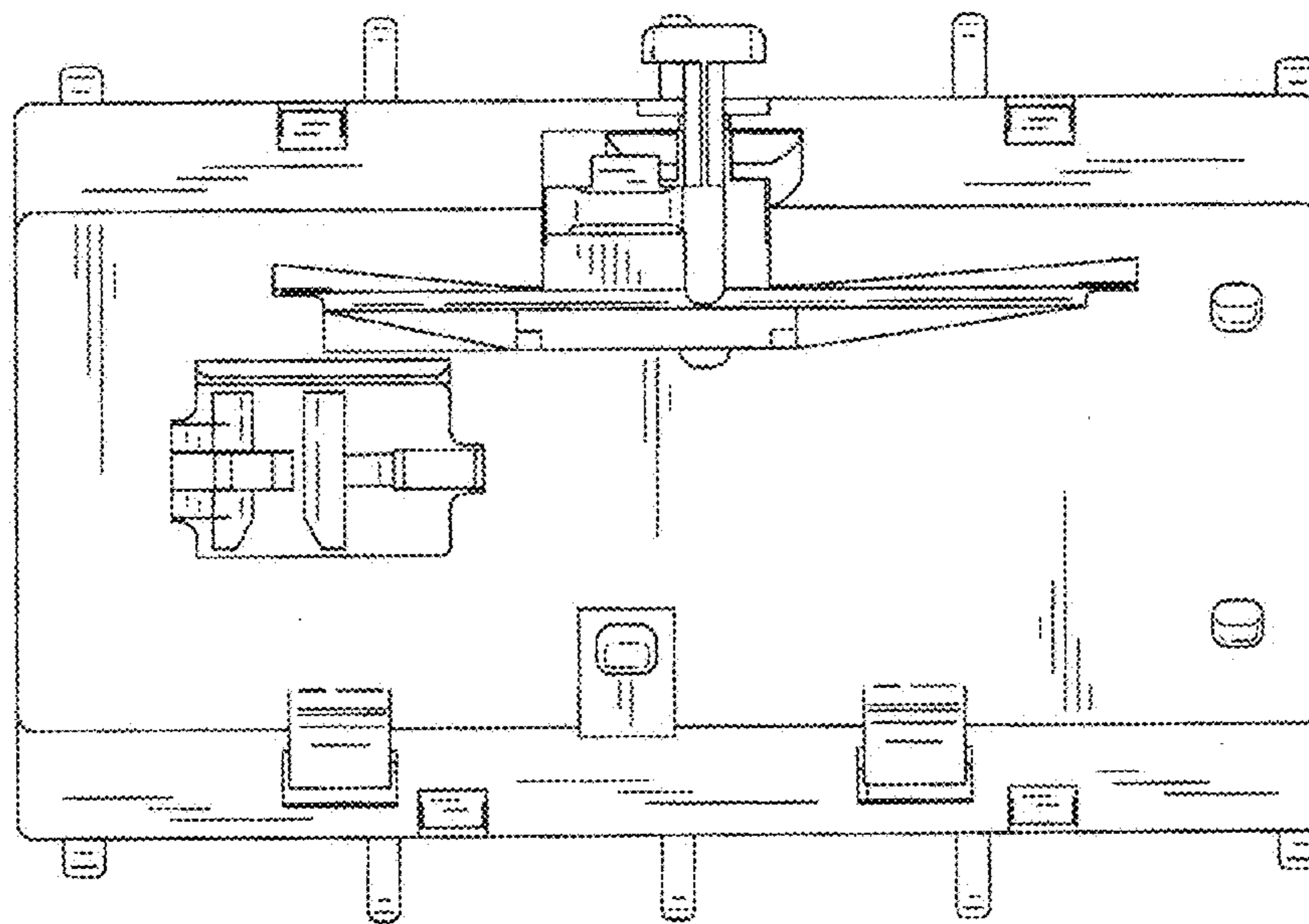


FIG. 4

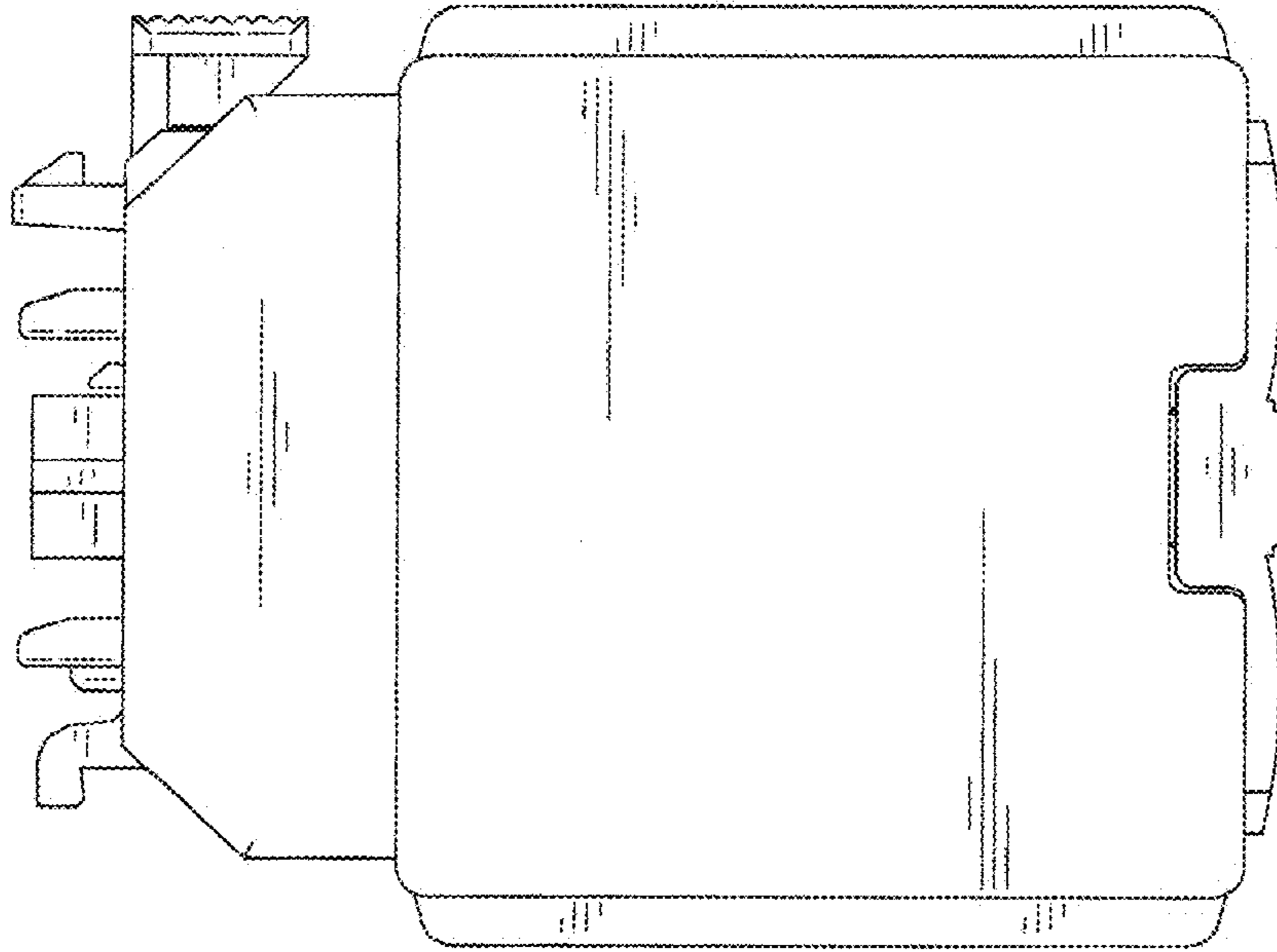


FIG. 5

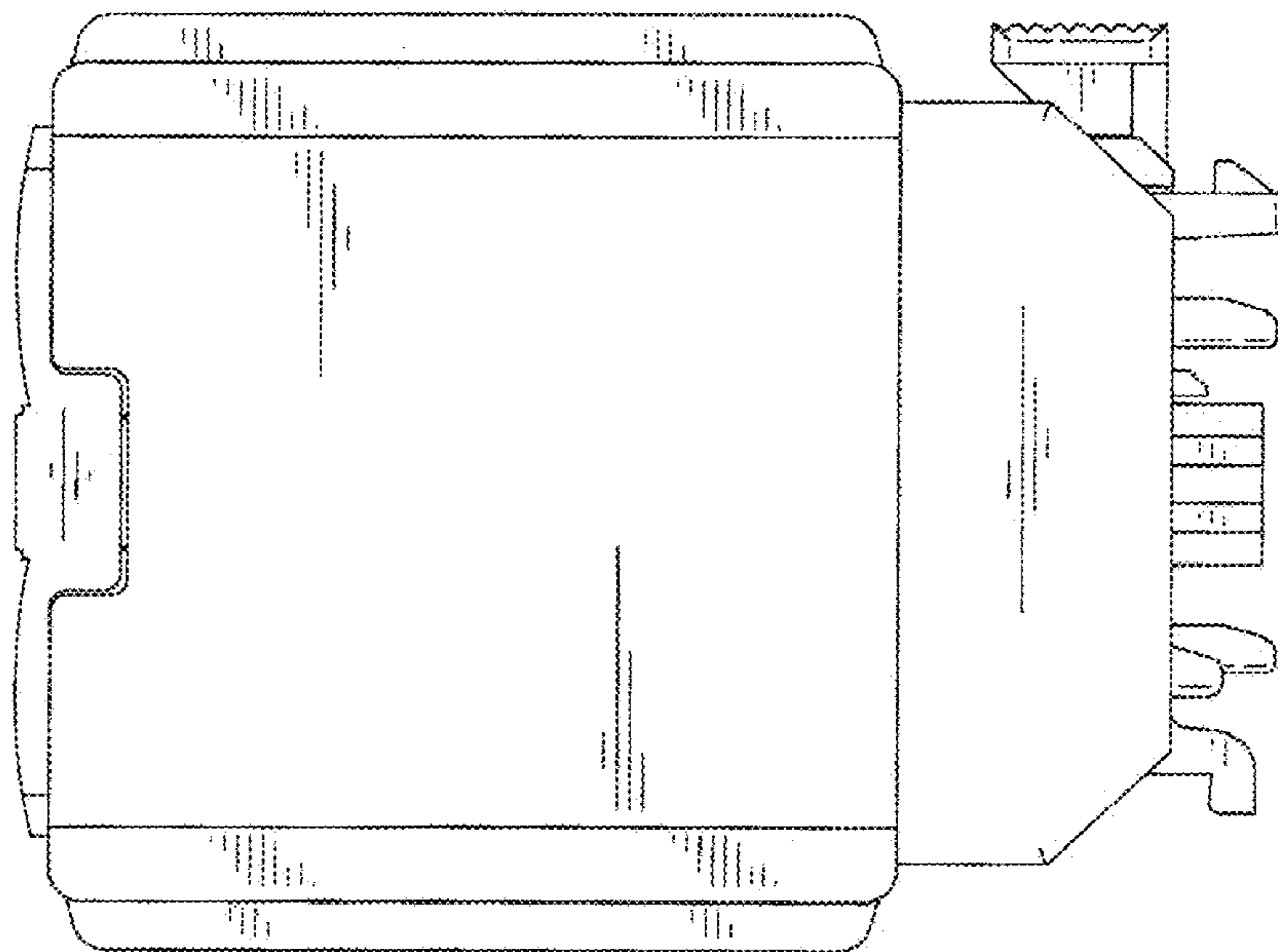


FIG. 6

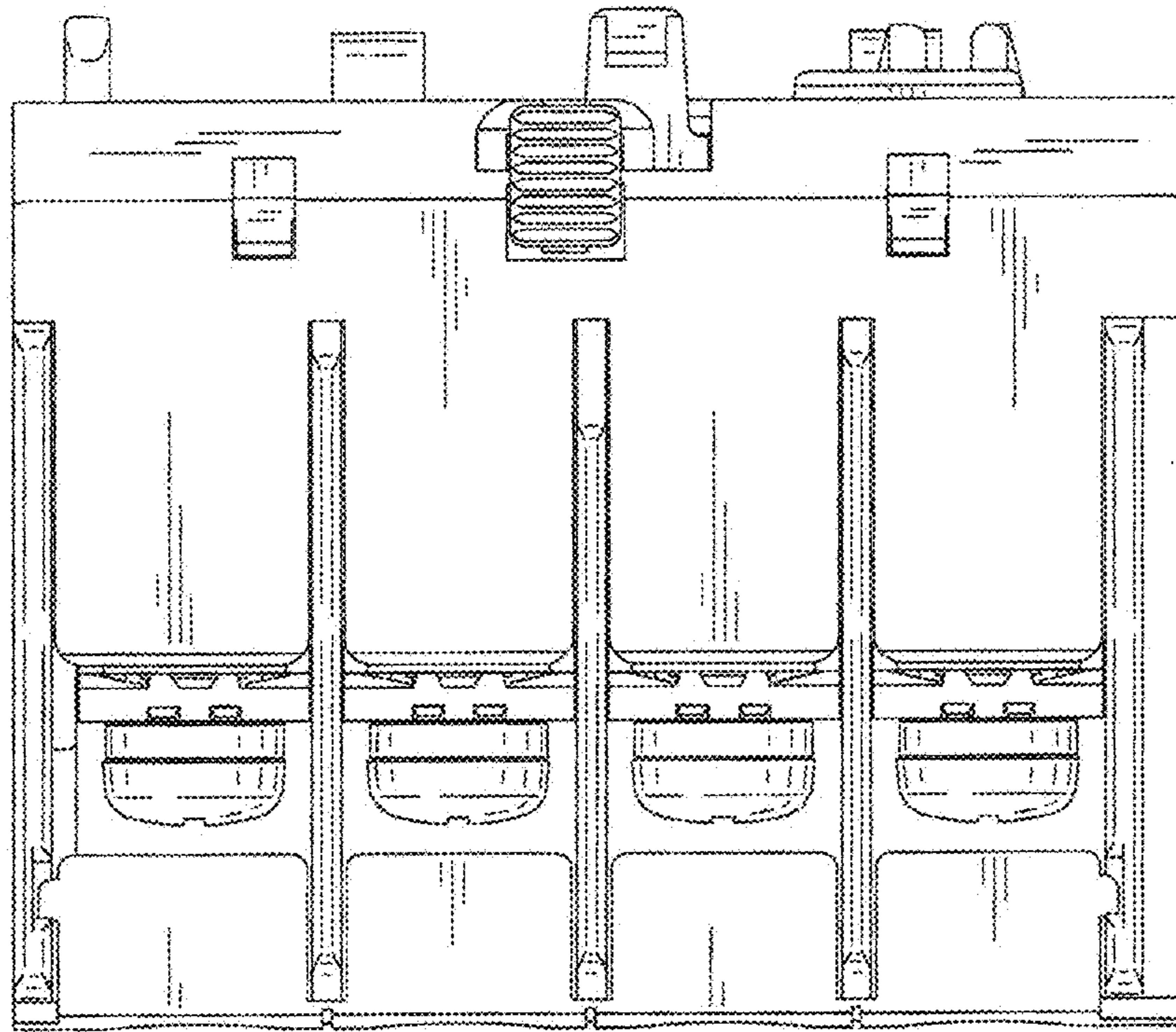


FIG. 7

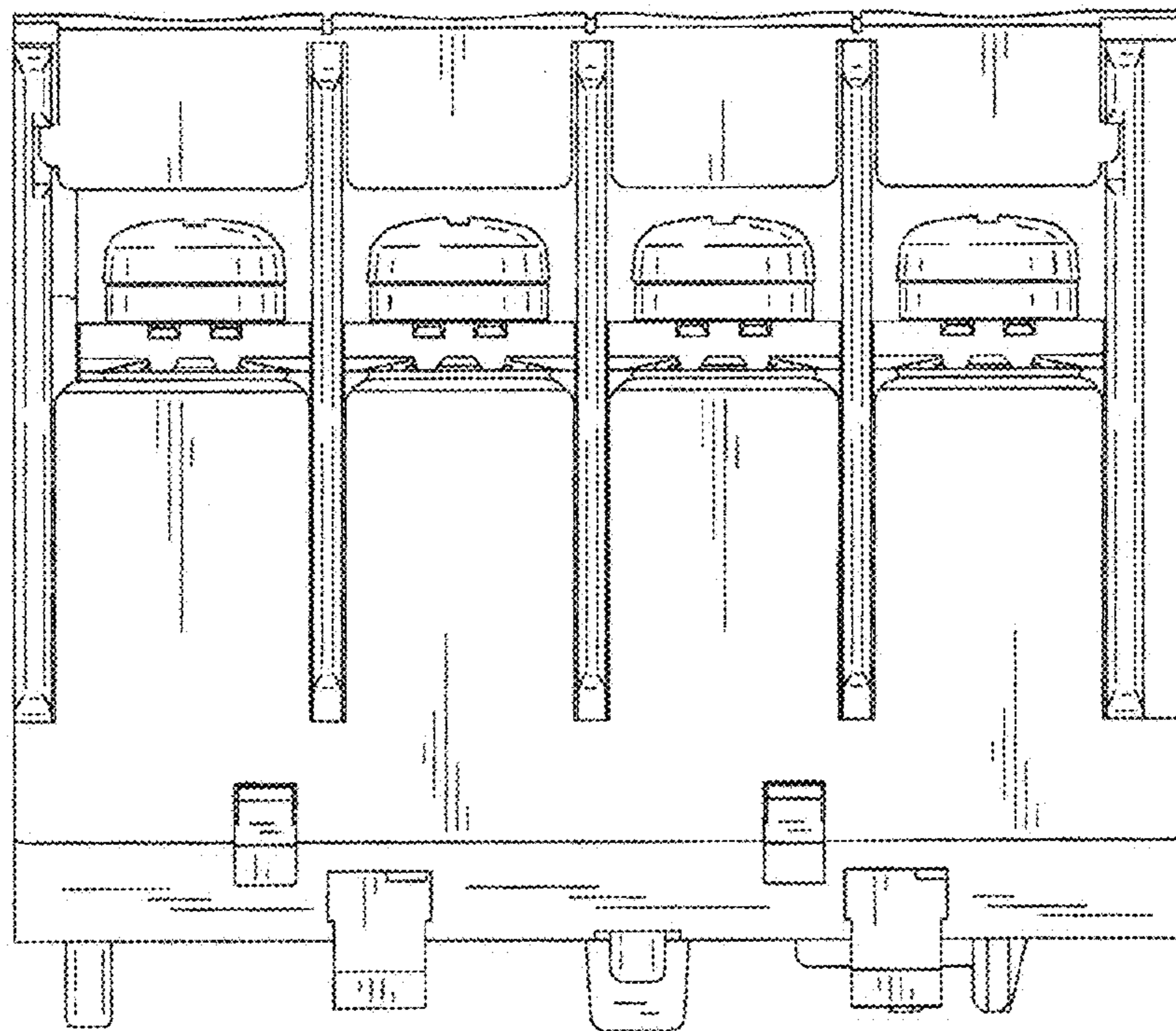


FIG. 8

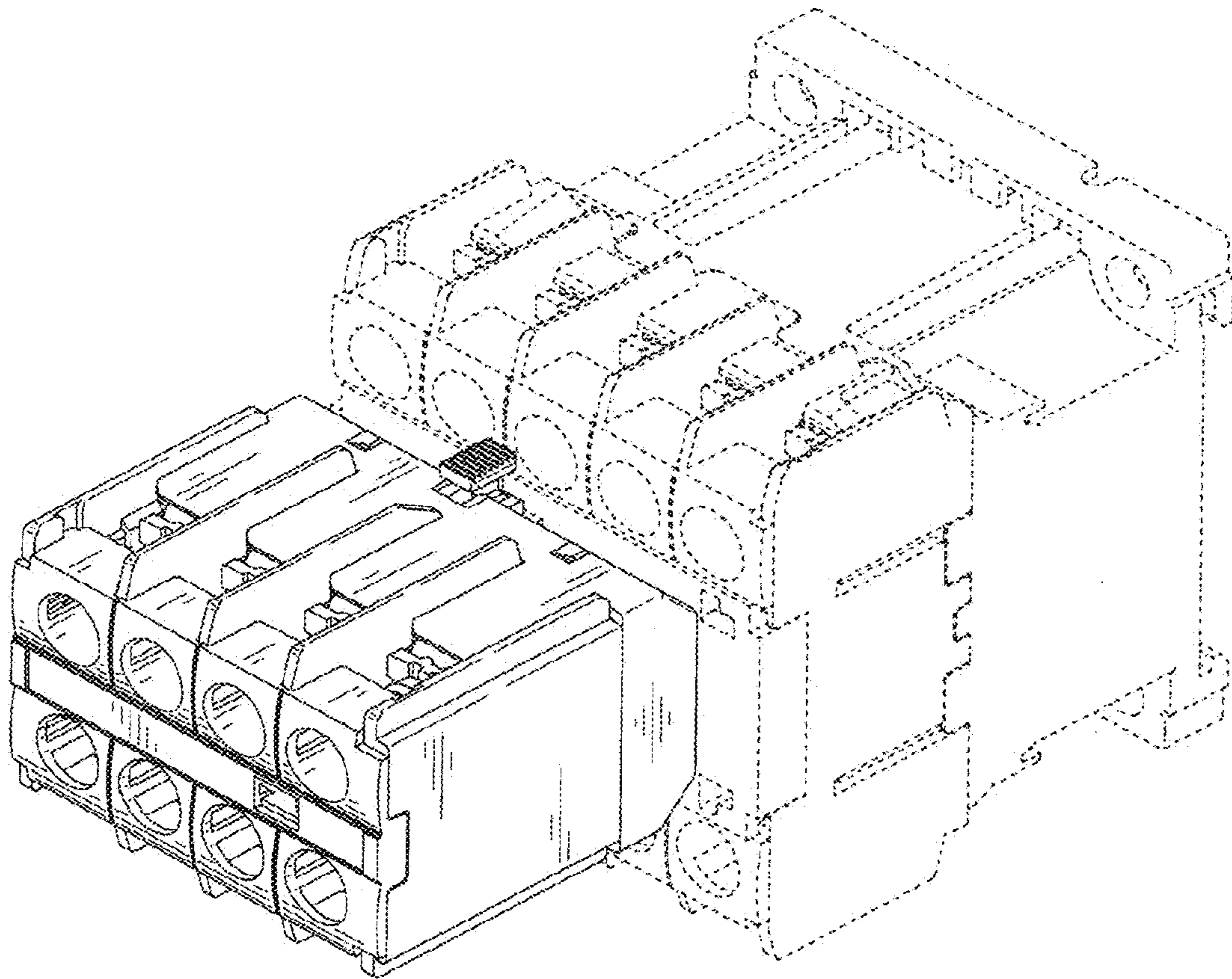


FIG. 9