



US00D656466S

(12) **United States Design Patent**
Chu

(10) **Patent No.:** **US D656,466 S**
(45) **Date of Patent:** **** Mar. 27, 2012**

(54) **PRESS SWITCH**

(76) Inventor: **Ching-Hsiung Chu**, Taipei (TW)

(**) Term: **14 Years**

(21) Appl. No.: **29/379,076**

(22) Filed: **Nov. 15, 2010**

(30) **Foreign Application Priority Data**

Sep. 9, 2010 (TW) 99304538

(51) **LOC (9) Cl.** **13-03**

(52) **U.S. Cl.** **D13/158; D13/171**

(58) **Field of Classification Search** D13/125,
D13/158, 169, 171, 174, 184, 199; 200/1 B,
200/4, 5 A, 6 A, 6 R, 81 R, 293-297, 310,
200/314, 315, 329, 341, 344, 406, 513, 520,
200/523, 524, 530, 532, 535, 536; D14/247
See application file for complete search history.

(56) **References Cited**

U.S. PATENT DOCUMENTS

4,273,980 A * 6/1981 Rogero 200/524
D282,067 S * 1/1986 Inaba D14/247
D316,540 S * 4/1991 Hirose D13/171

D340,224 S * 10/1993 Gierut D13/171
D511,504 S * 11/2005 Sang D13/171
D533,842 S * 12/2006 Tohyama et al. D13/158
D559,794 S * 1/2008 Kato et al. D13/171
D613,254 S * 4/2010 Tsuduki D13/158
D627,742 S * 11/2010 Yamanaka D13/158
2004/0118669 A1 * 6/2004 Mou 200/310

* cited by examiner

Primary Examiner — Thomas Johannes

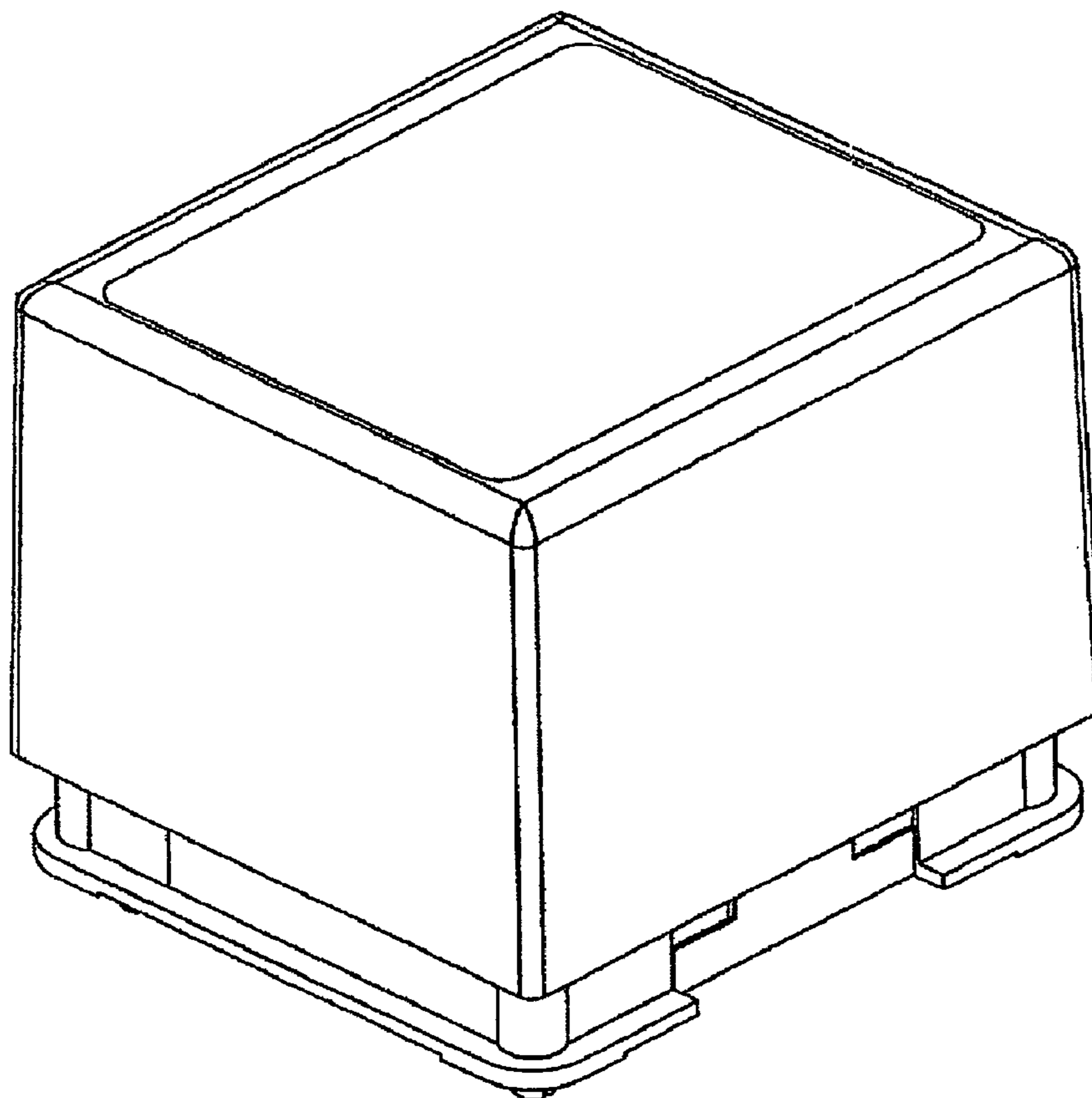
(57) **CLAIM**

The ornamental design for a press switch, as shown and described.

DESCRIPTION

FIG. 1 is a perspective view of a press switch showing my new design;
FIG. 2 is a front view thereof;
FIG. 3 is a back view thereof;
FIG. 4 is a right side view thereof;
FIG. 5 is a left side view thereof;
FIG. 6 is a top plan view thereof; and,
FIG. 7 is a bottom plan view thereof.
The broken line portion of the figure drawings is included to show unclaimed subject matter only and forms no part of the claimed design.

1 Claim, 7 Drawing Sheets



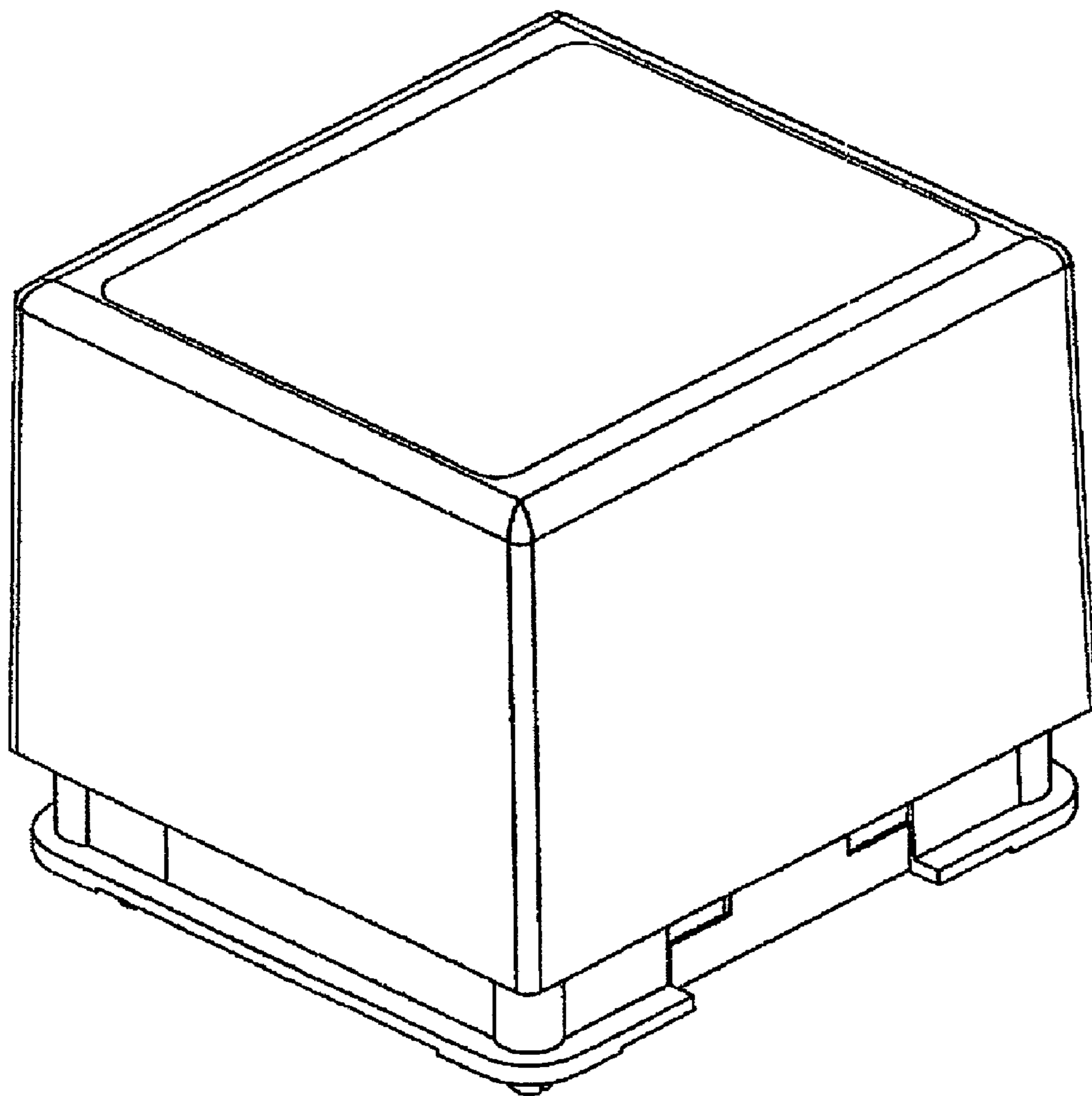


FIG. 1

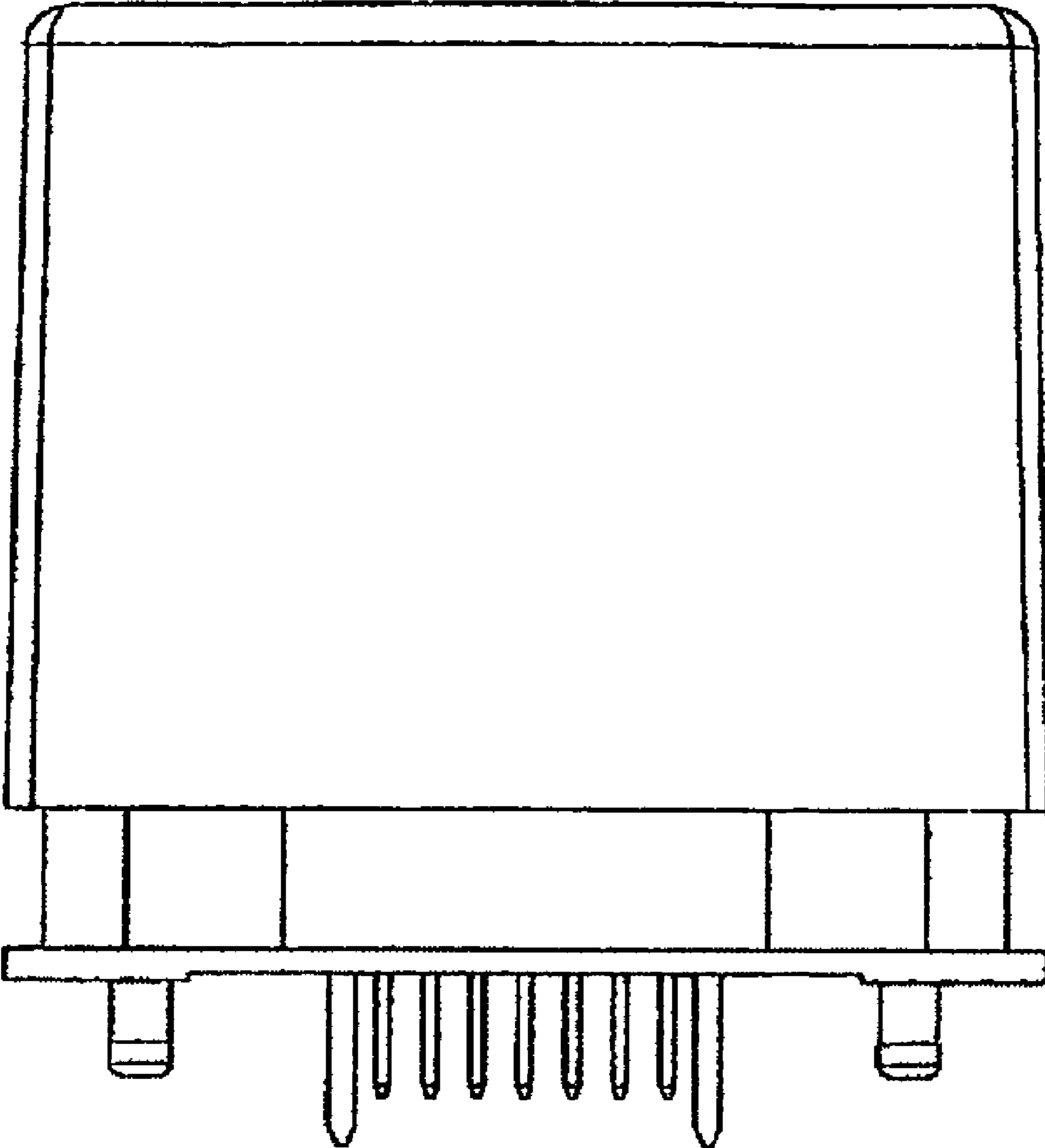


FIG. 2

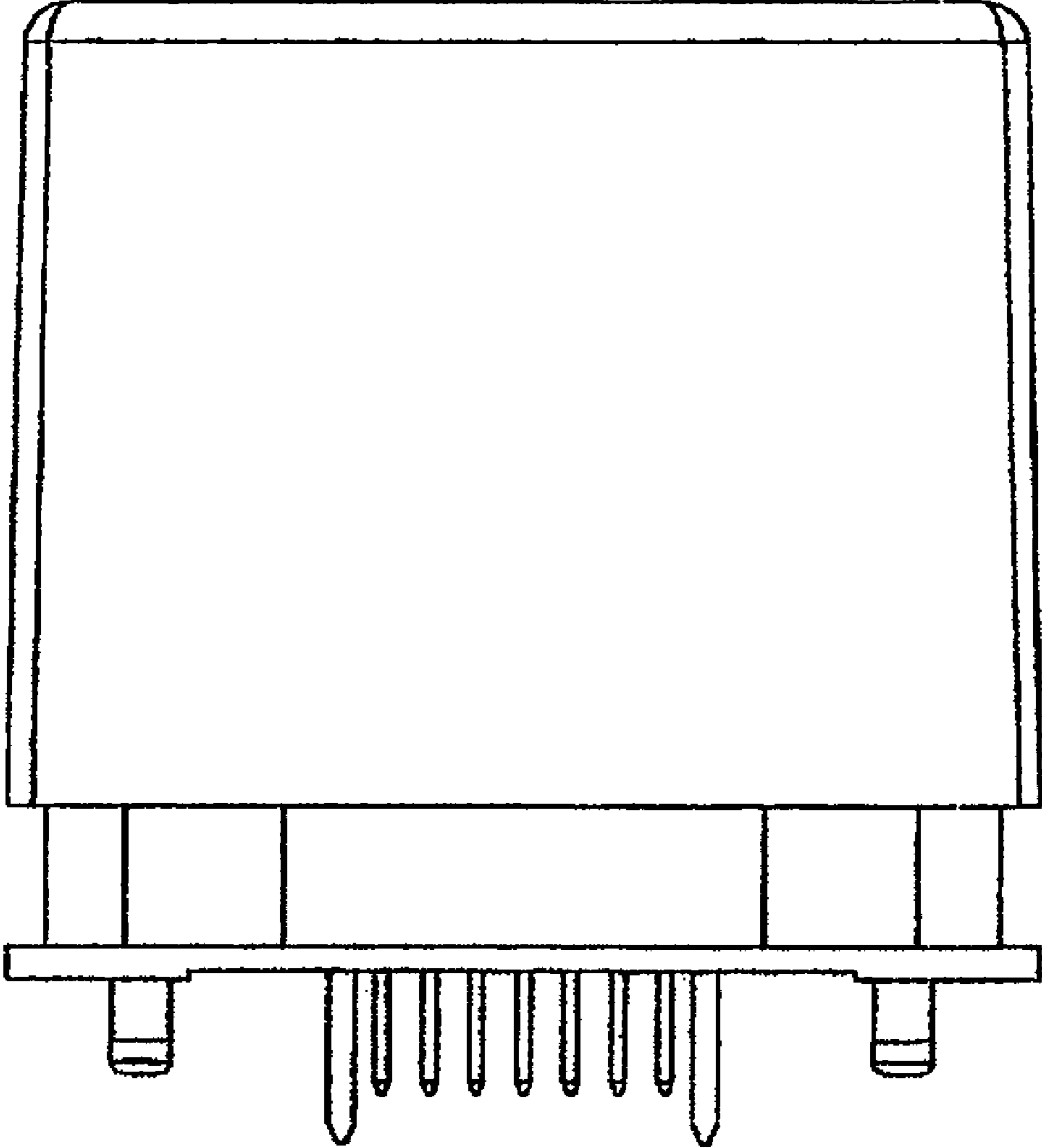


FIG. 3

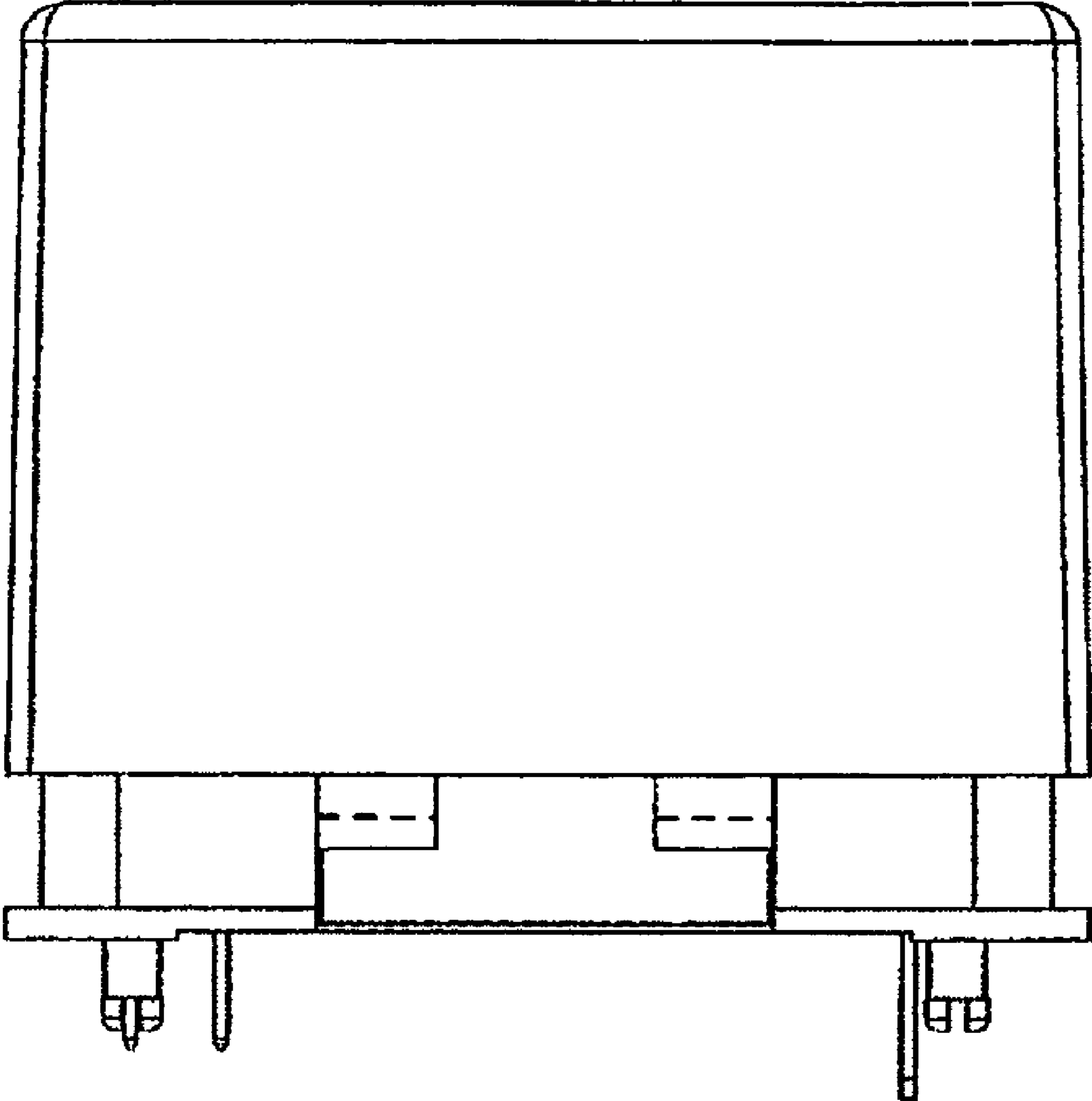


FIG. 4

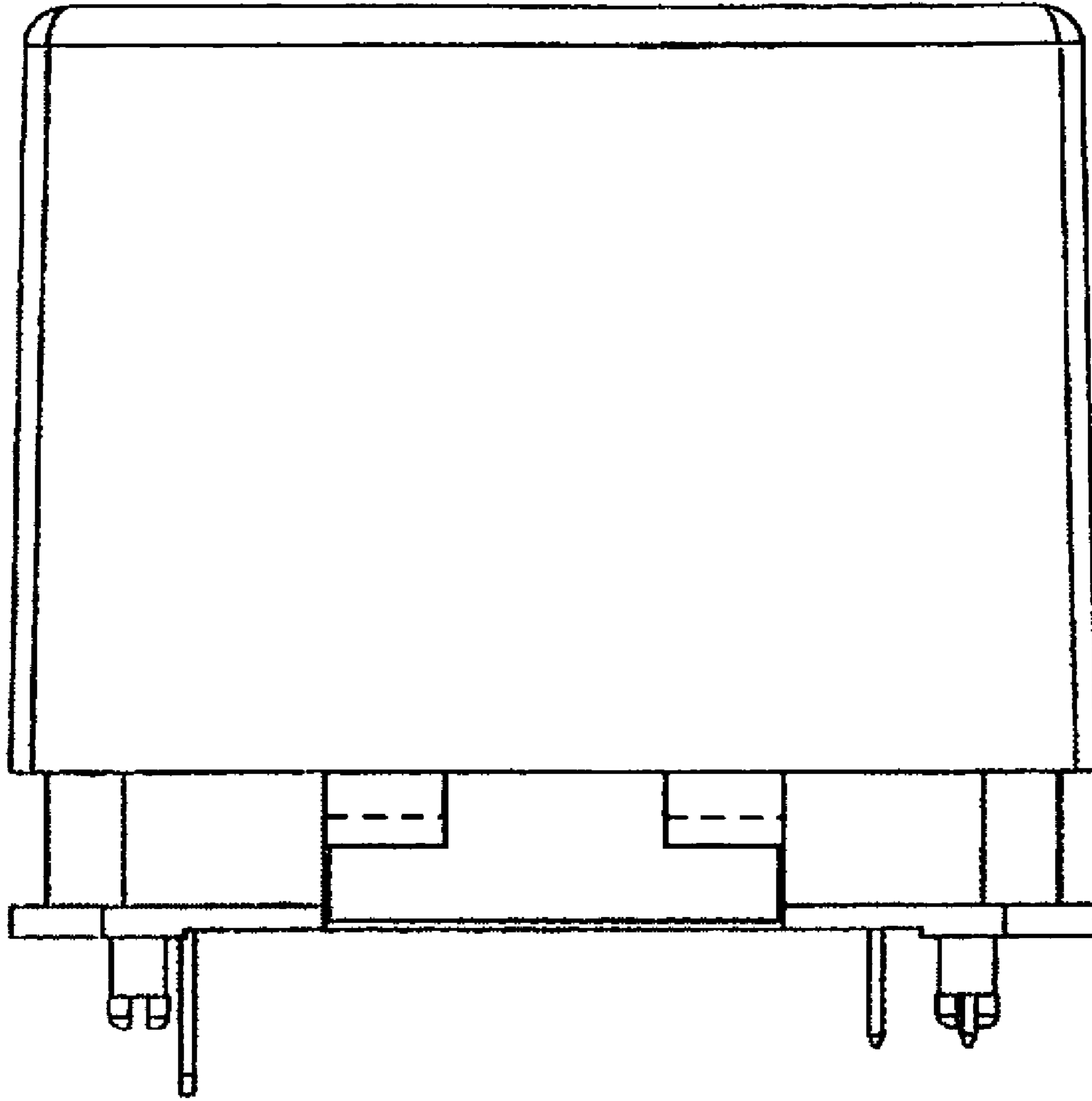


FIG. 5

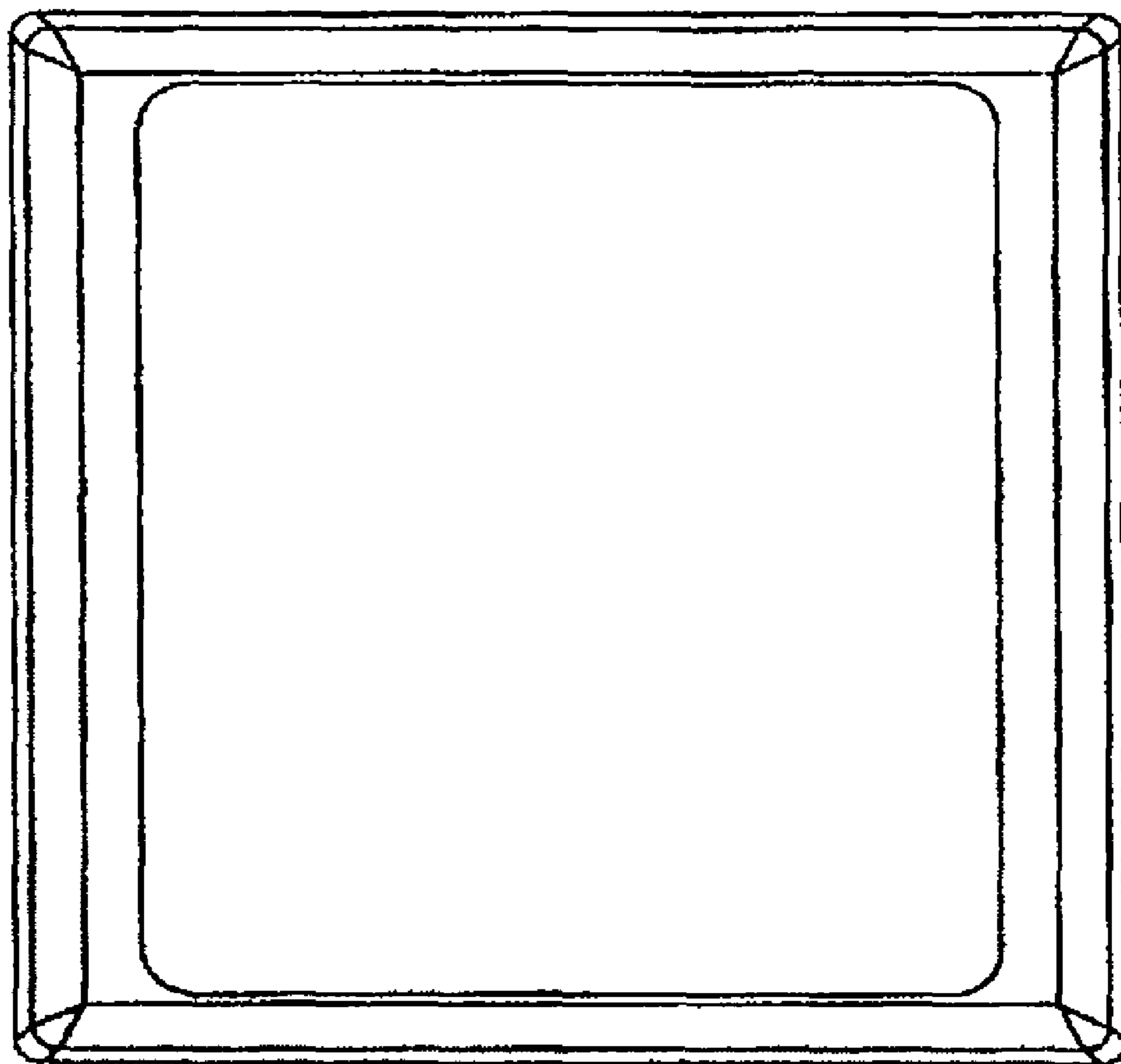


FIG. 6

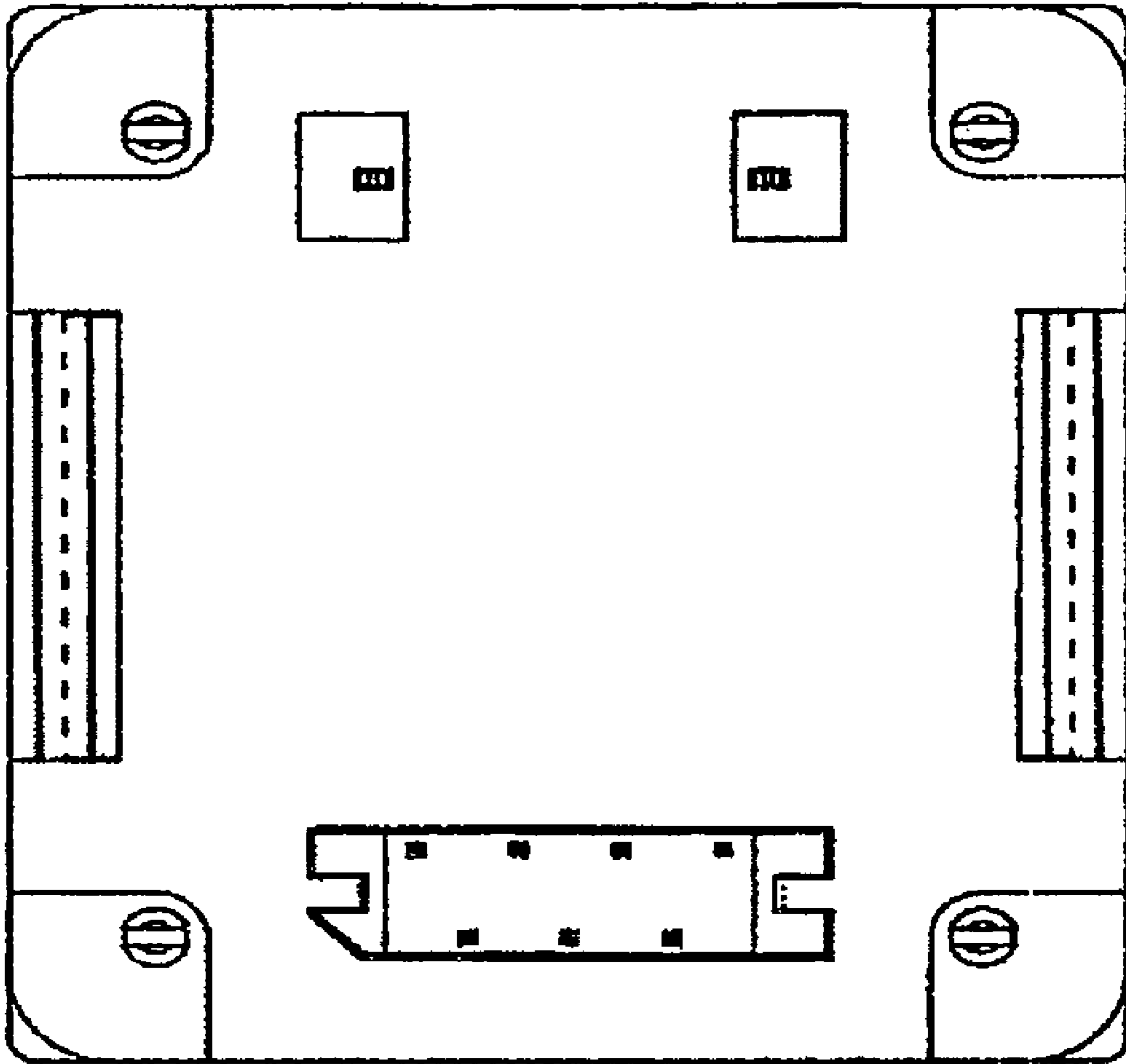


FIG. 7