



US00D656463S

(12) **United States Design Patent**
Chen

(10) **Patent No.:** **US D656,463 S**

(45) **Date of Patent:** **** Mar. 27, 2012**

(54) **VEHICLE CHARGER**

(75) Inventor: **Chih-Chung Chen**, New Taipei (TW)

(73) Assignee: **Cheng Uei Precision Industry Co., Ltd.**, New Taipei (TW)

(**) Term: **14 Years**

(21) Appl. No.: **29/393,656**

(22) Filed: **Jun. 7, 2011**

(51) **LOC (9) Cl.** **13-03**

(52) **U.S. Cl.** **D13/144**

(58) **Field of Classification Search** D13/107,
D13/108, 110, 118, 119, 120, 133, 144, 154,
D13/184, 199; 320/107-109; 363/13, 146;
439/300, 620.01, 638, 668-670, 675, 825
See application file for complete search history.

(56) **References Cited**

U.S. PATENT DOCUMENTS

D398,287 S * 9/1998 Luminosu D13/144
D506,455 S * 6/2005 Bey et al. D14/155

D585,824 S * 2/2009 Ebodi D13/108
D615,043 S * 5/2010 Tang et al. D13/144
D617,278 S * 6/2010 Tang et al. D13/144
D631,836 S * 2/2011 Kao D13/108

* cited by examiner

Primary Examiner — Daniel Bui

(74) *Attorney, Agent, or Firm* — Cheng-Ju Chiang

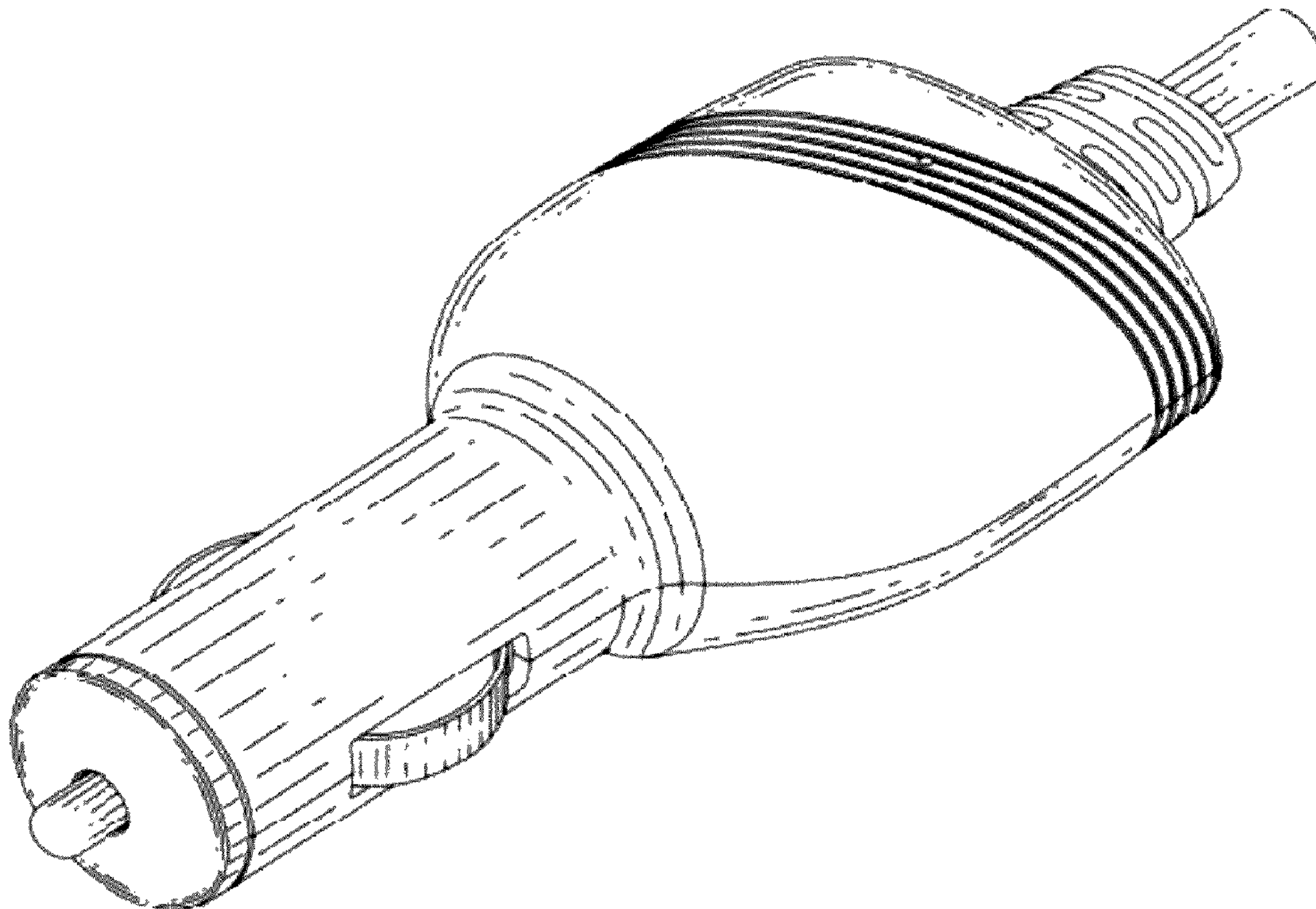
(57) **CLAIM**

The ornamental design for a vehicle charger, as shown and described.

DESCRIPTION

FIG. 1 is a perspective view of a vehicle charger showing my new design;
FIG. 2 is a front elevational view thereof;
FIG. 3 is a rear elevational view thereof;
FIG. 4 is a left side elevational view thereof;
FIG. 5 is a right side elevational view thereof;
FIG. 6 is a top plan view thereof; and,
FIG. 7 is a bottom plan view thereof.

1 Claim, 7 Drawing Sheets



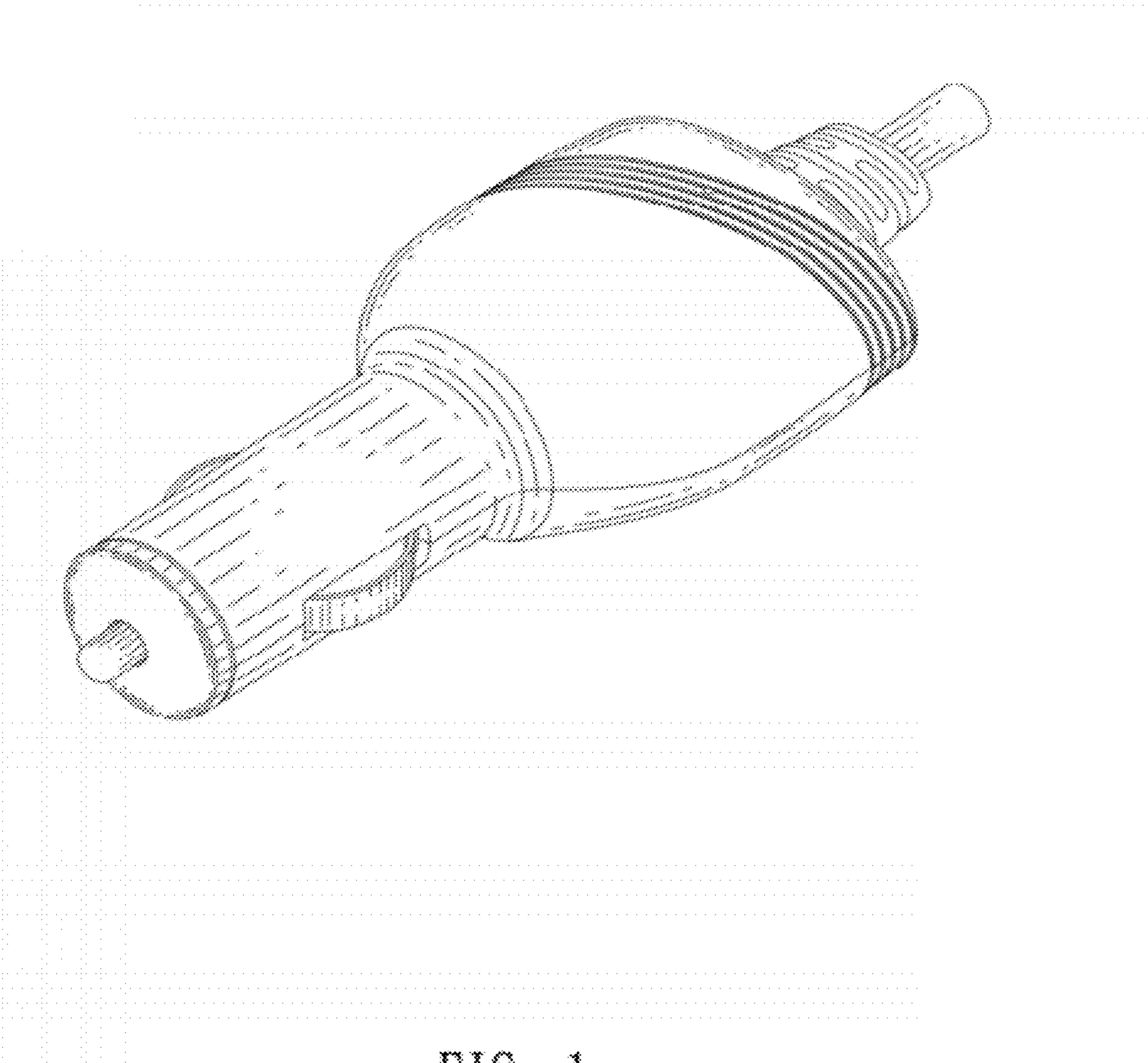


FIG. 1

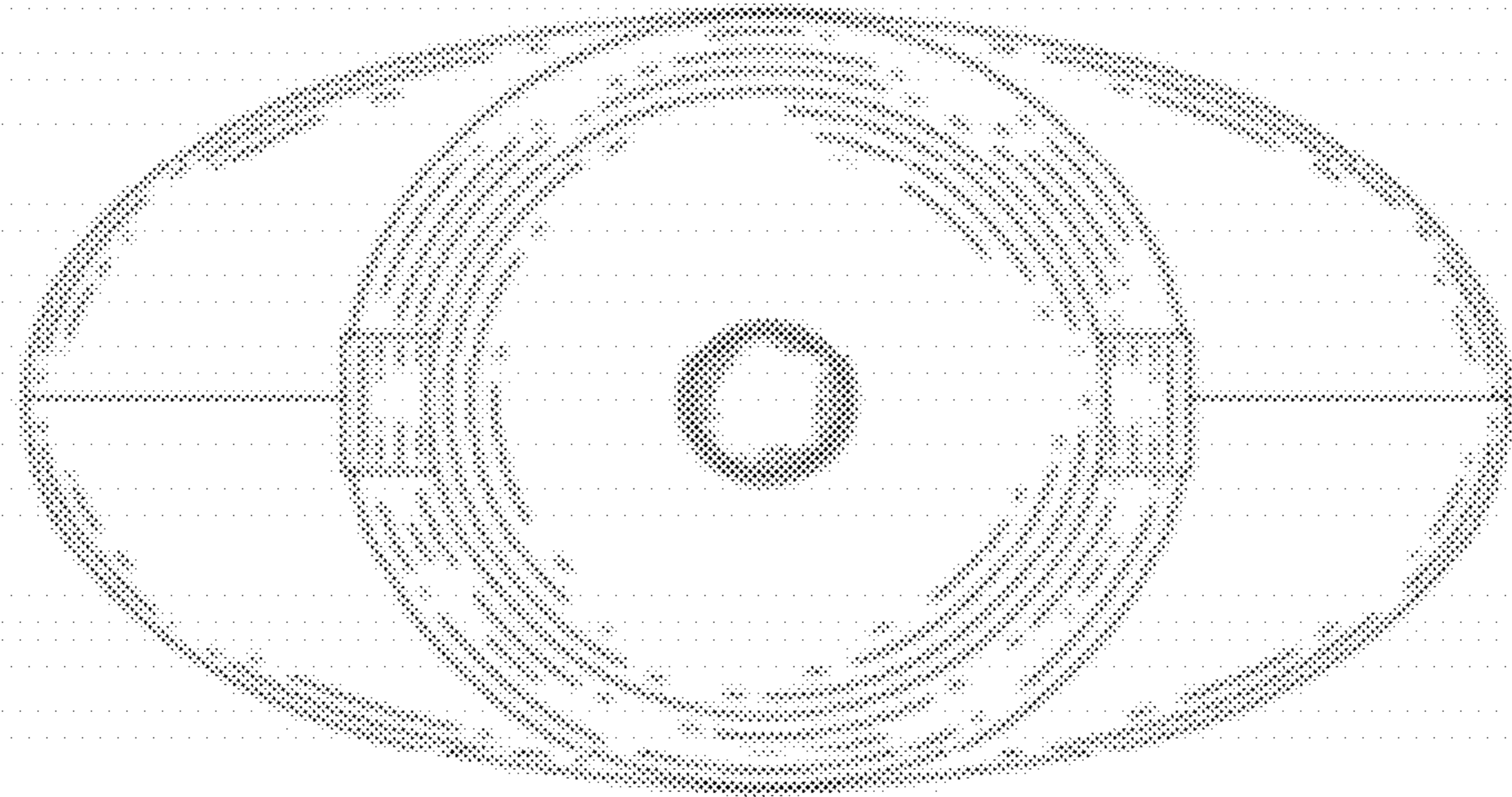


FIG. 2

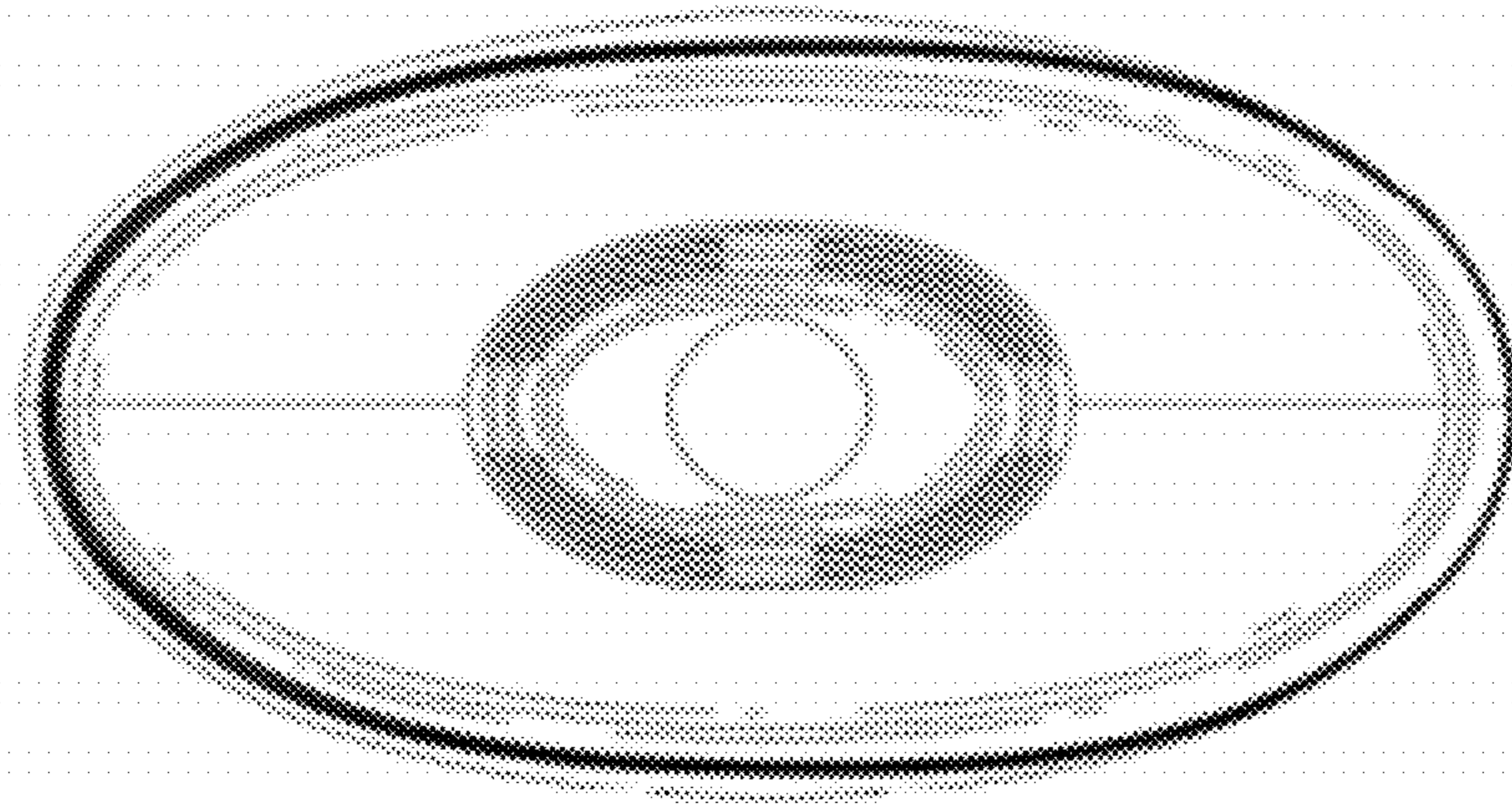


FIG. 3

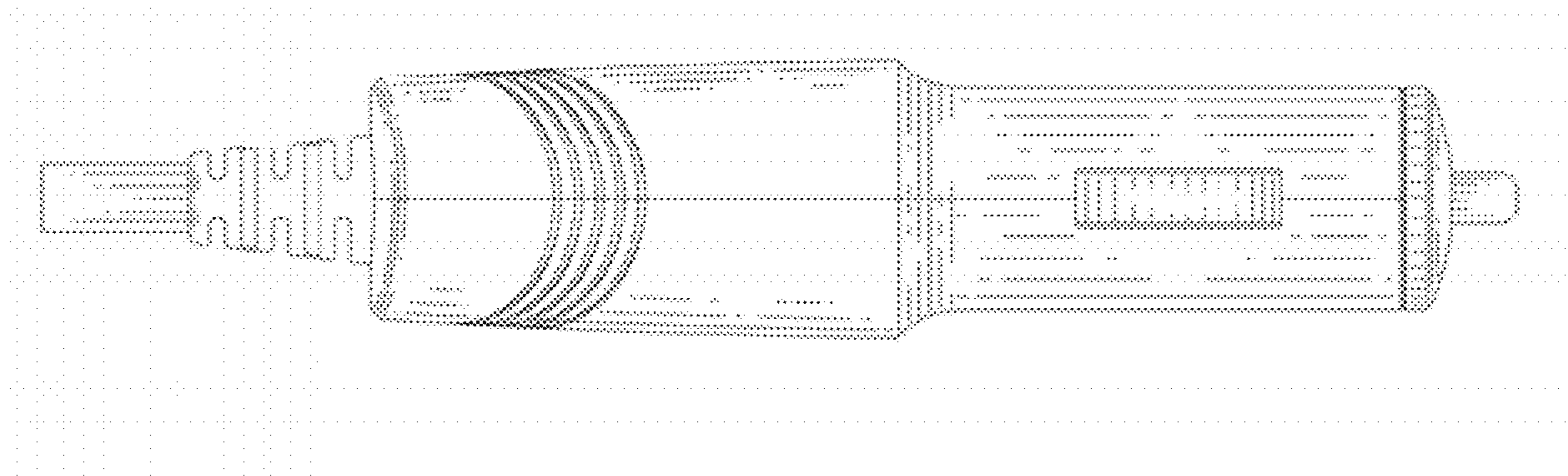


FIG. 4

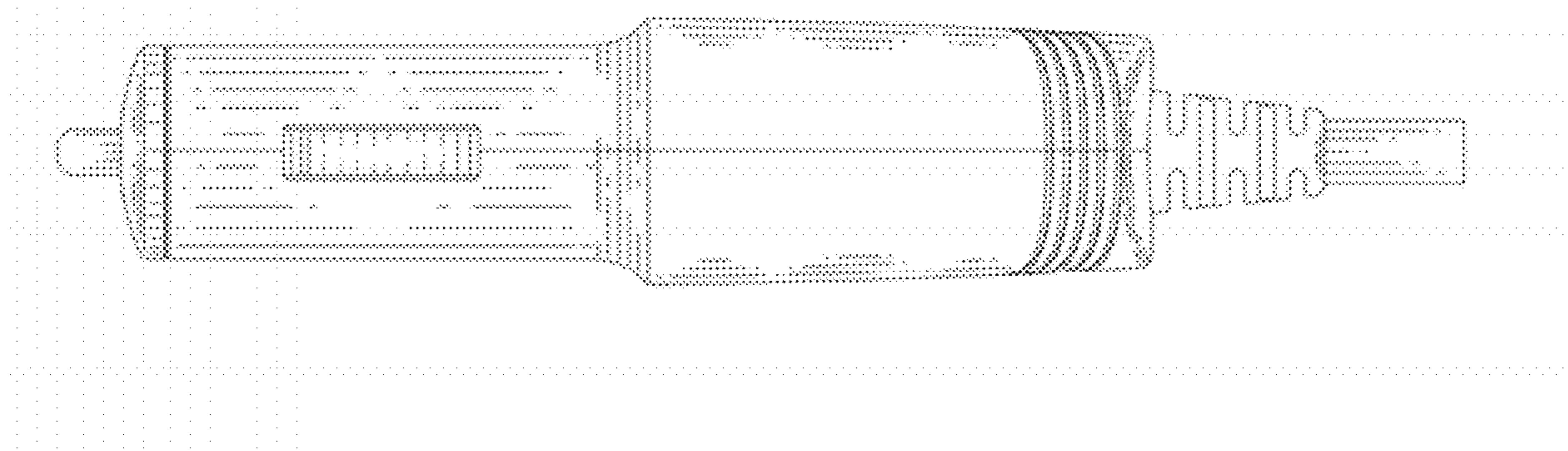


FIG. 5

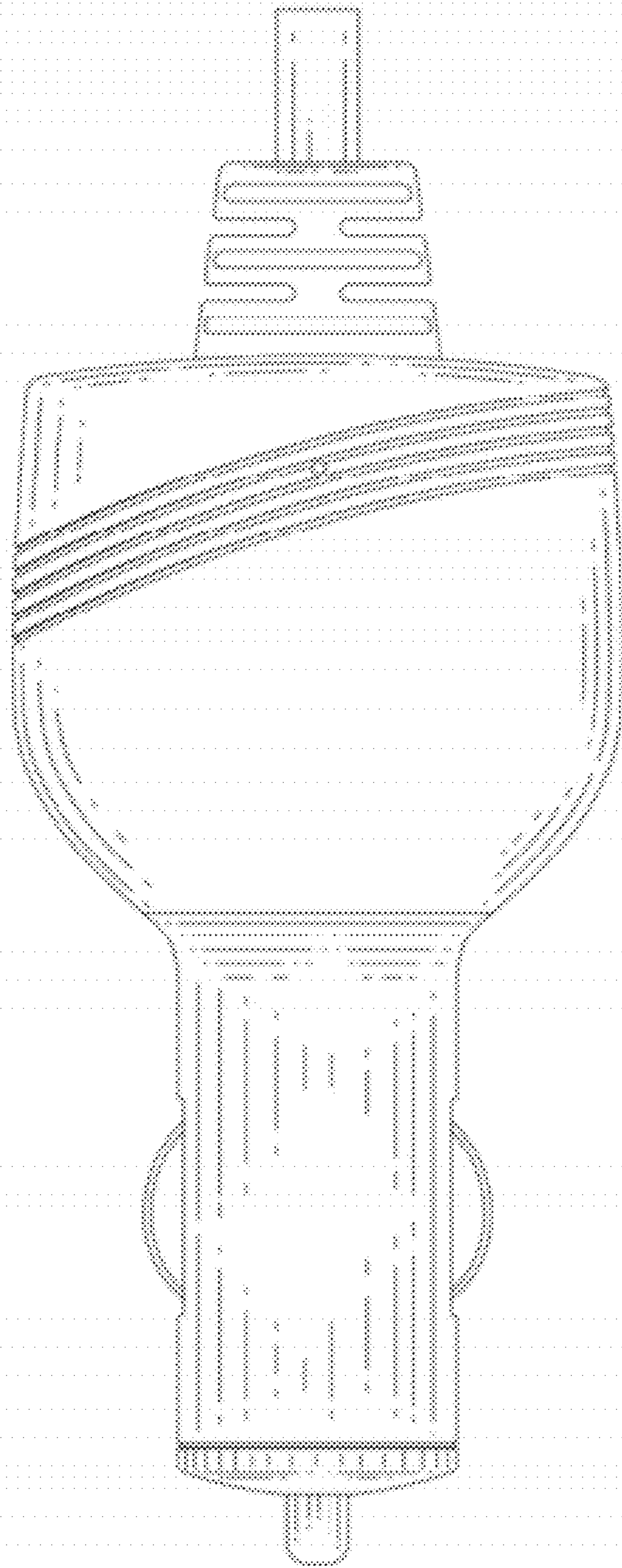


FIG. 6

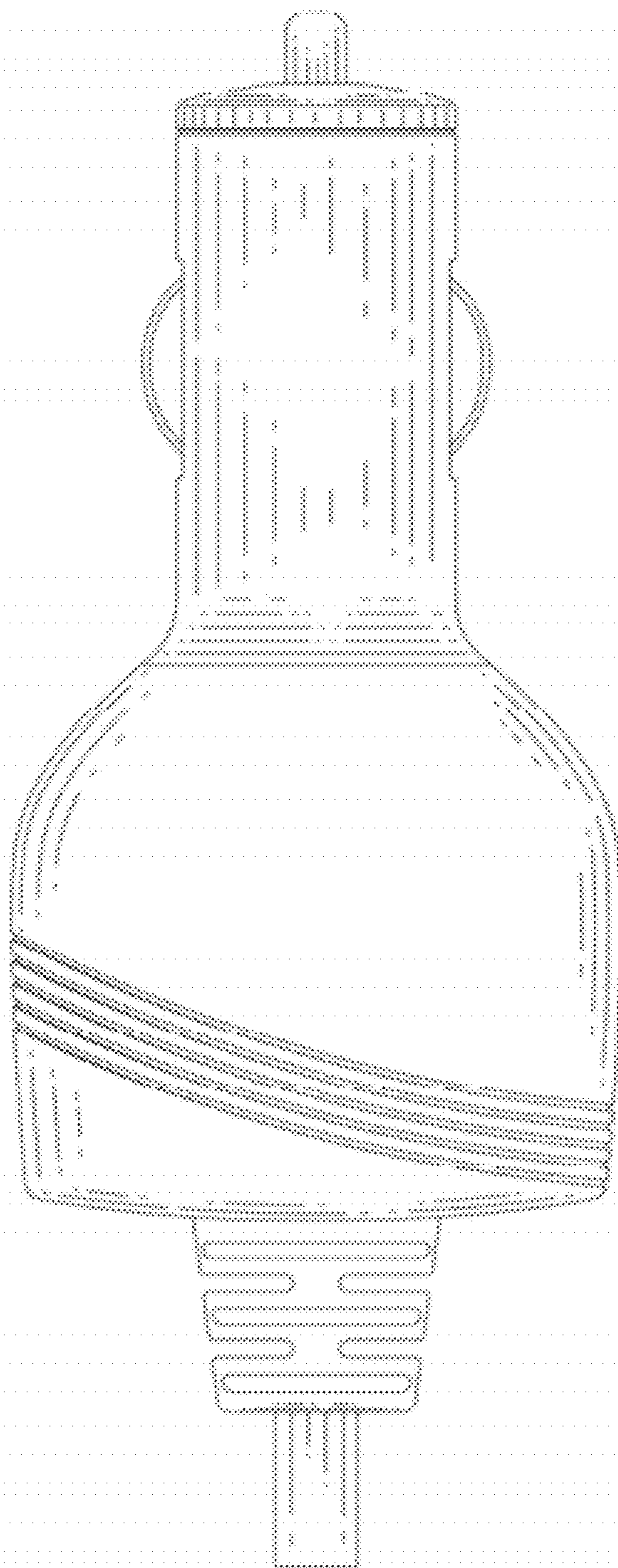


FIG. 7