



US00D656462S

(12) **United States Design Patent**
Urano

(10) **Patent No.:** **US D656,462 S**

(45) **Date of Patent:** **** Mar. 27, 2012**

(54) **ELECTRICAL CONNECTOR**

(75) **Inventor:** **Tetsu Urano**, Tokyo (JP)

(73) **Assignee:** **Japan Aviation Electronics Industry, Limited**, Tokyo (JP)

(**) **Term:** **14 Years**

(21) **Appl. No.:** **29/358,114**

(22) **Filed:** **Mar. 23, 2010**

(30) **Foreign Application Priority Data**

Sep. 25, 2009 (JP) 2009-021998

(51) **LOC (9) Cl.** **13-03**

(52) **U.S. Cl.** **D13/133**

(58) **Field of Classification Search** D13/133,
D13/134, 135, 154, 184; D26/142; 362/260,
362/457; 439/180, 220-222, 226, 239, 246,
439/375, 381, 892, 894

See application file for complete search history.

(56) **References Cited**

U.S. PATENT DOCUMENTS

3,933,405	A *	1/1976	Patterson et al.	439/862
5,013,253	A	5/1991	Aiello et al.	
6,048,220	A	4/2000	Altman et al.	
7,059,888	B2	6/2006	Frappier et al.	
7,347,705	B1 *	3/2008	Huang et al.	439/231
7,473,117	B2	1/2009	Miyazono et al.	
D591,237	S	4/2009	Ohmori	
D594,416	S *	6/2009	Ohmori	D13/134
D603,804	S *	11/2009	Urano	D13/154

D636,344	S *	4/2011	Naito	D13/154
2004/0090778	A1	5/2004	Noh	
2006/0046558	A1	3/2006	Frappier et al.	
2008/0057763	A1 *	3/2008	Ohmori	439/226
2009/0239407	A1	9/2009	Noh	
2010/0002419	A1 *	1/2010	Naito	362/97.1
2010/0203752	A1 *	8/2010	Urano	439/265
2010/0267289	A1 *	10/2010	Urano	439/733.1

OTHER PUBLICATIONS

U.S. Appl. No. 29/358,116; First Named Inventor: Tetsu Urano; Title: "Connector for Cold-Cathode Fluorescent Lamp"; Filed: , 2010.

* cited by examiner

Primary Examiner — Daniel Bui

(74) *Attorney, Agent, or Firm* — Holtz, Holtz, Goodman & Chick, PC

(57) **CLAIM**

The ornamental design for an electrical connector, as shown and described.

DESCRIPTION

FIG. 1 is a front, top and right side perspective view of an electrical connector showing my new design; FIG. 2 is a front view thereof; FIG. 3 is a rear view thereof; FIG. 4 is a top view thereof; FIG. 5 is a bottom view thereof; FIG. 6 is a right side view thereof, the left side view being a mirror image; FIG. 7 is a sectional view thereof along line 7-7 in FIG. 2; and, FIG. 8 is a sectional view thereof along line 8-8 in FIG. 6. The broken lines shown in the drawing figures illustrate environment only and form no part of the claimed design.

1 Claim, 8 Drawing Sheets

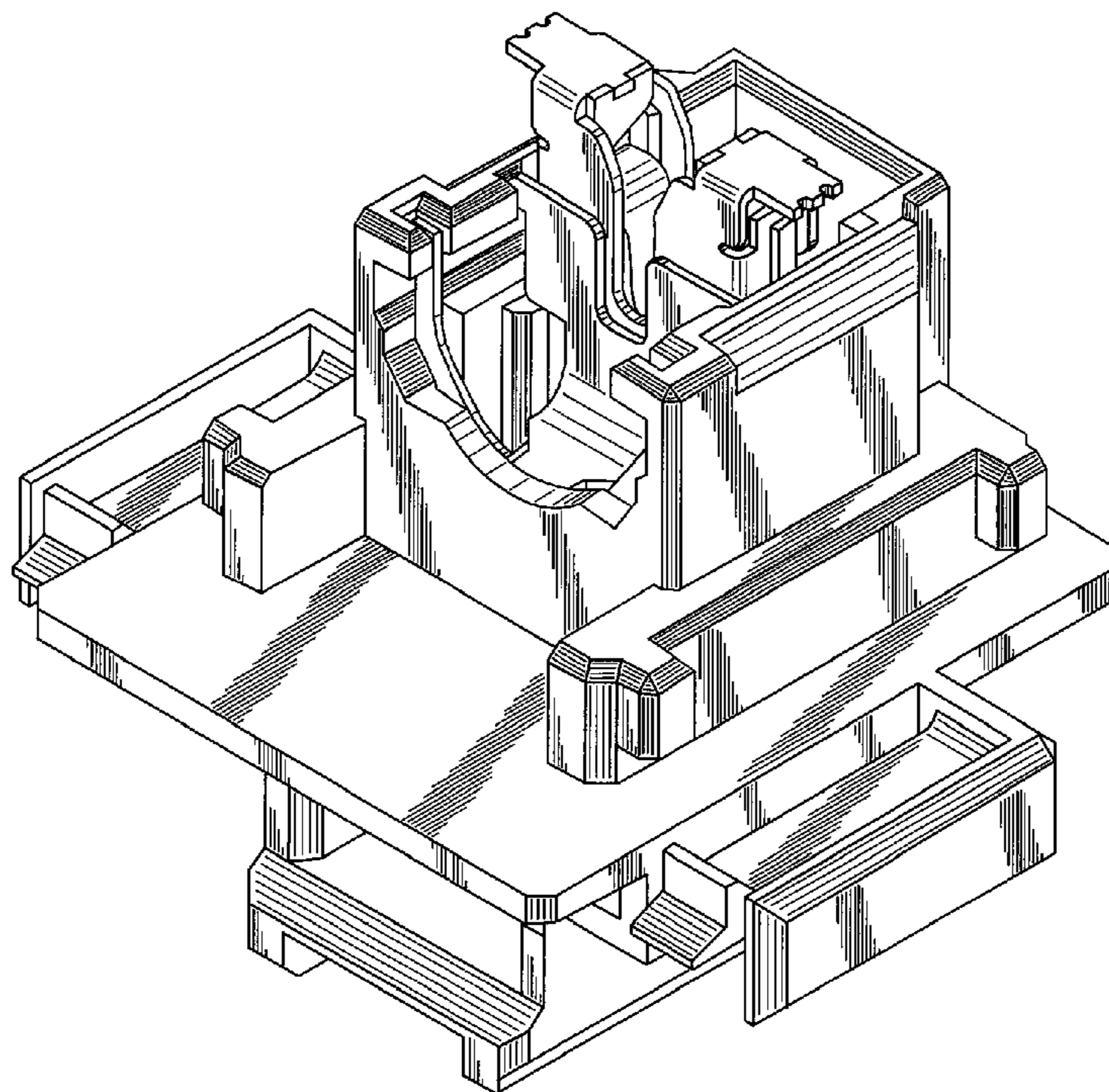


FIG. 1

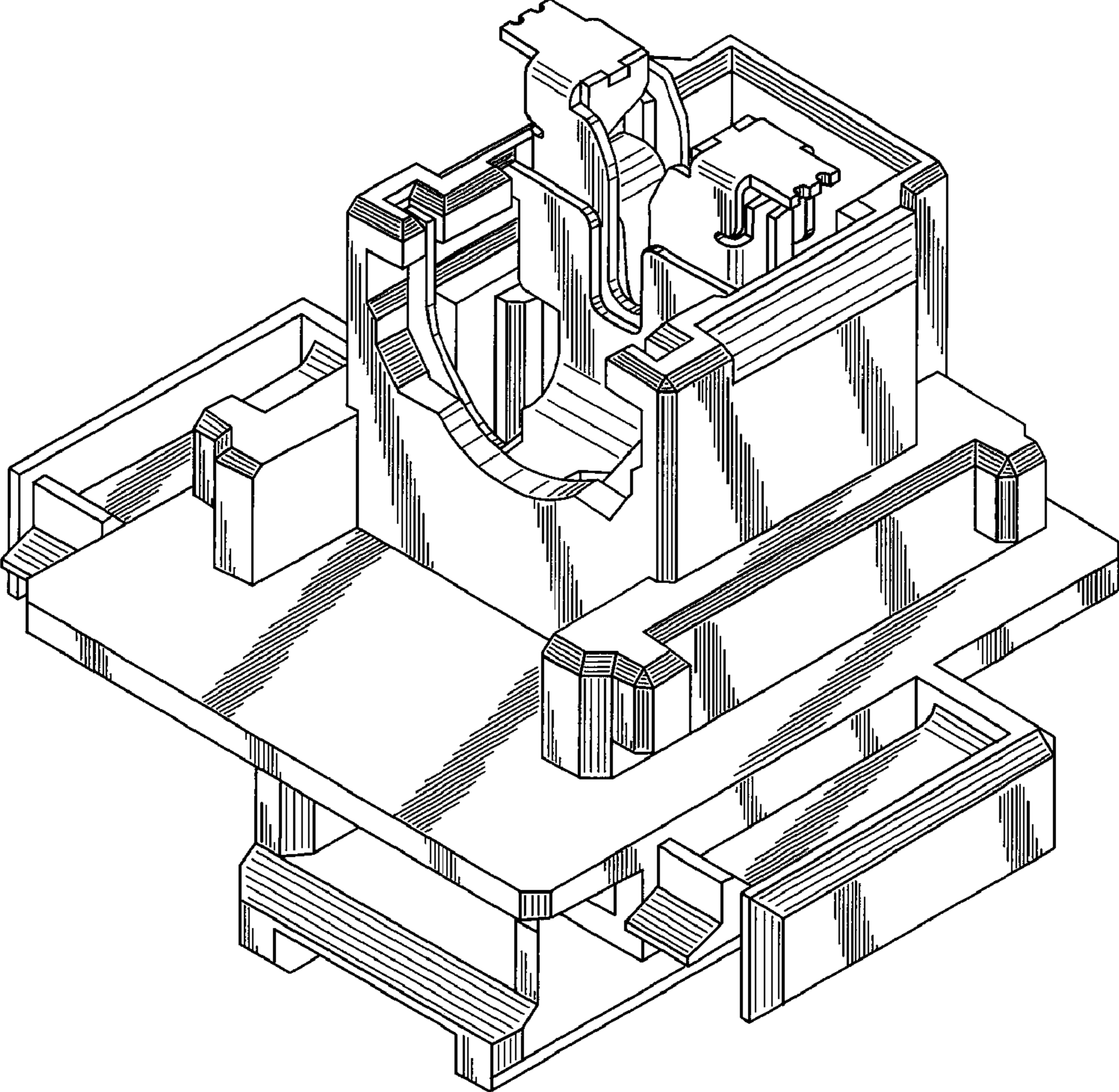


FIG. 2

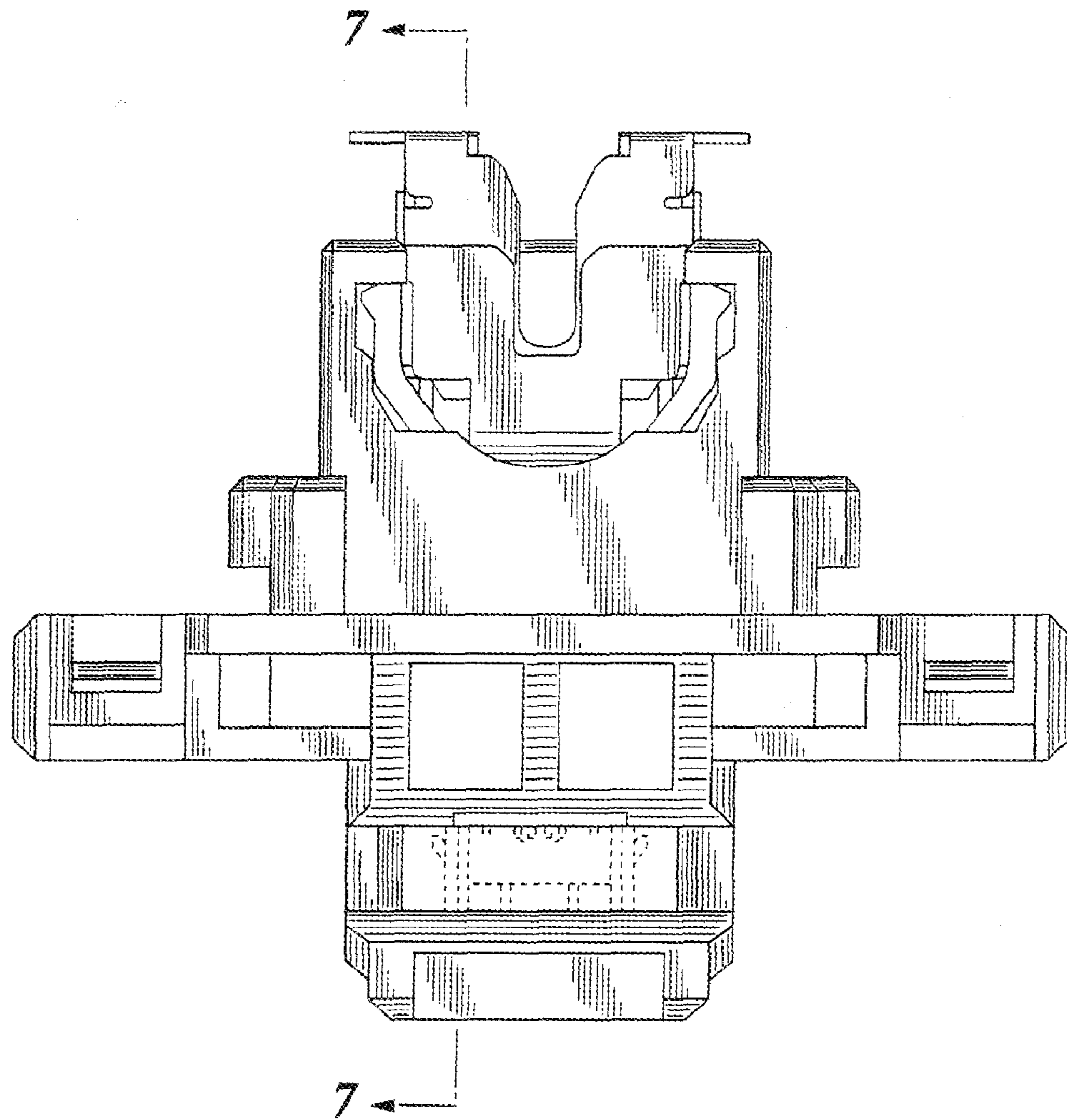


FIG. 3

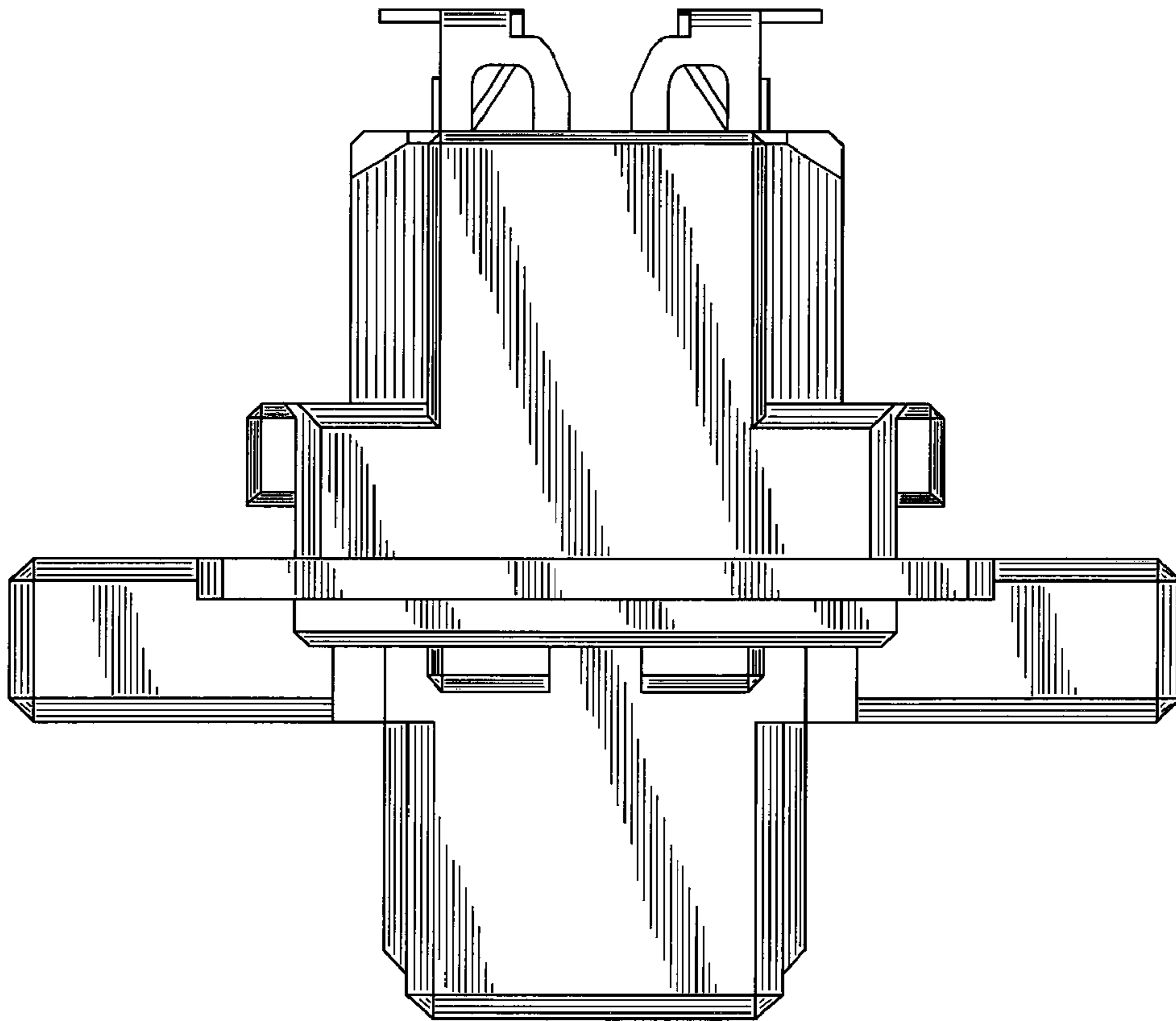


FIG. 4

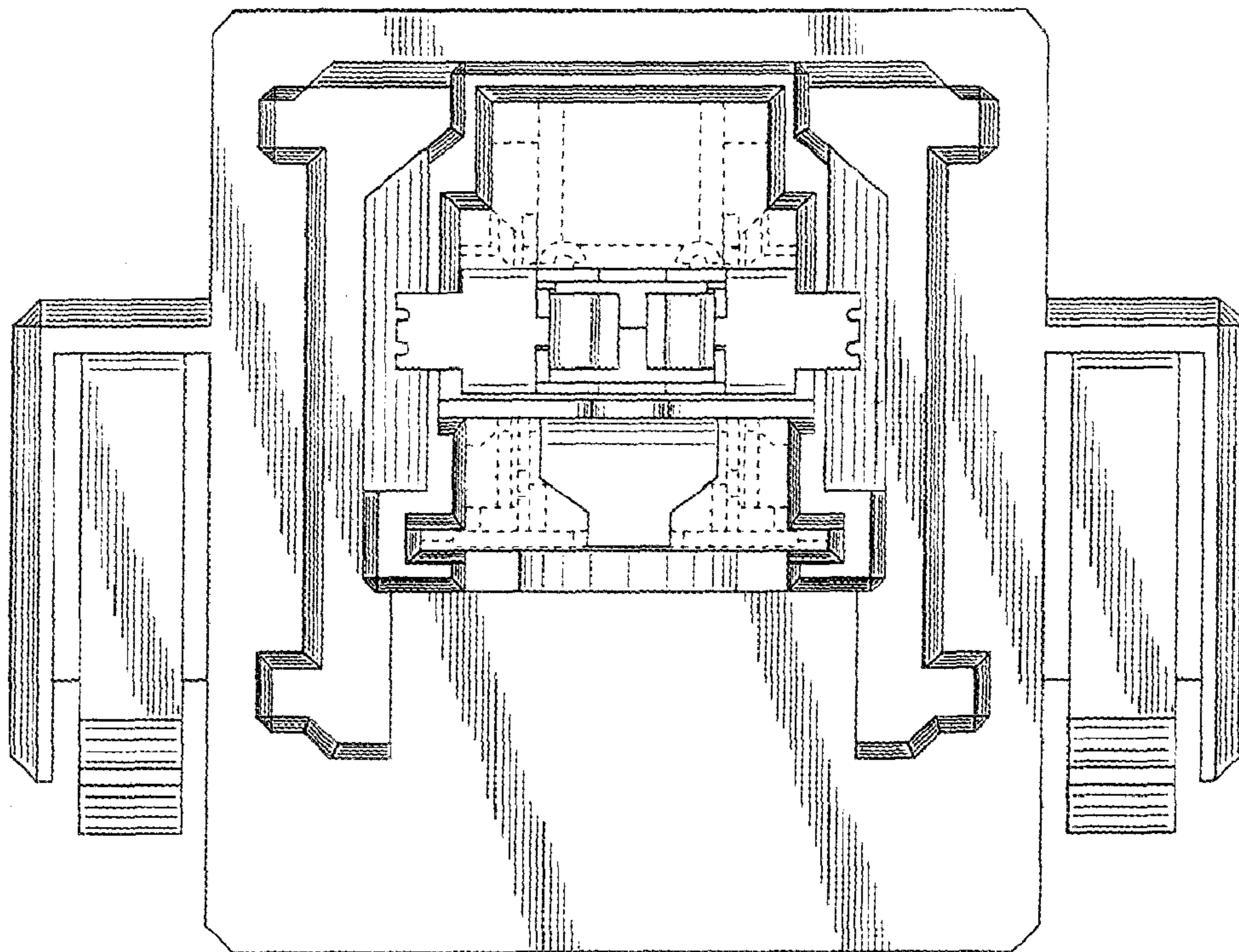


FIG. 5

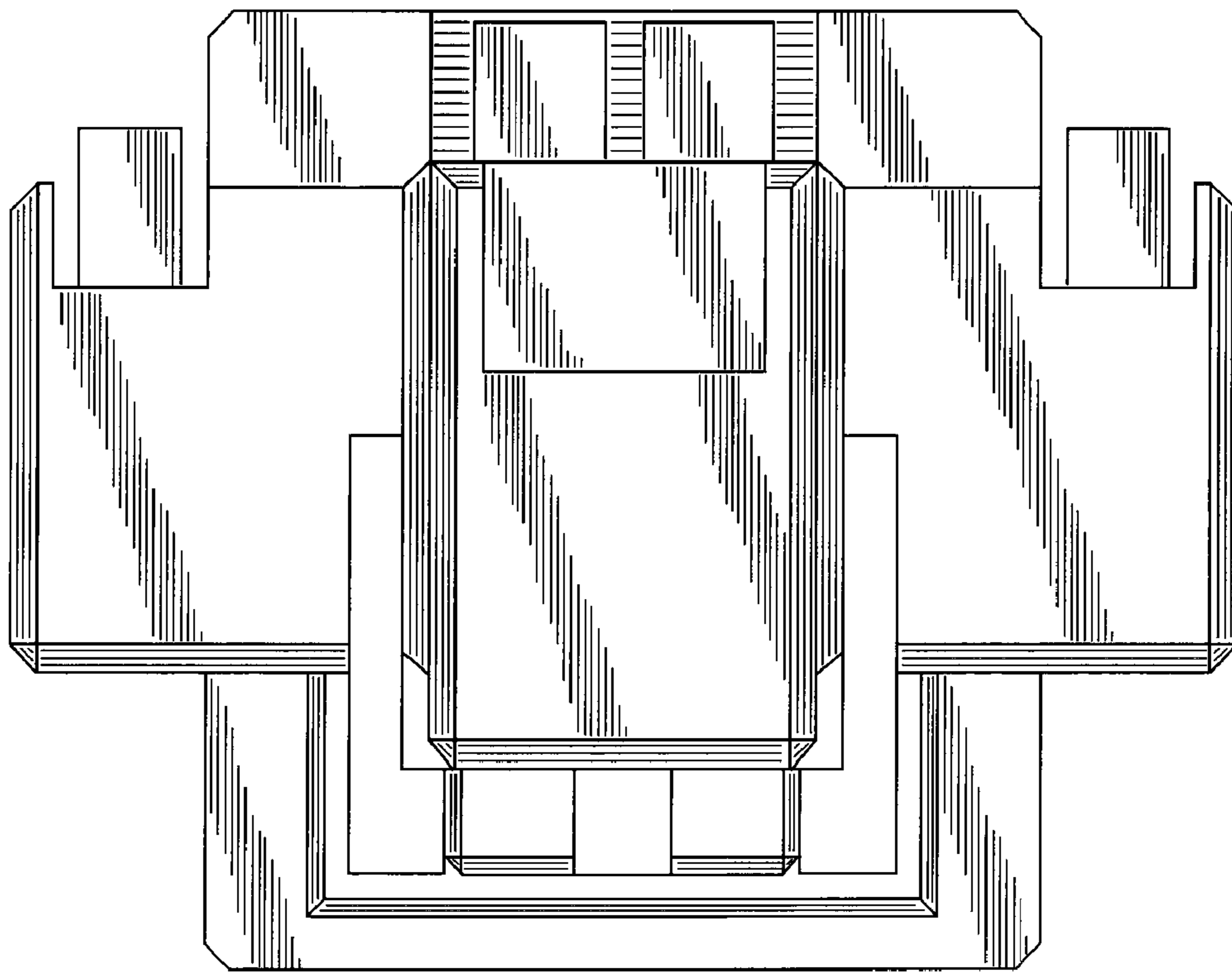


FIG. 6

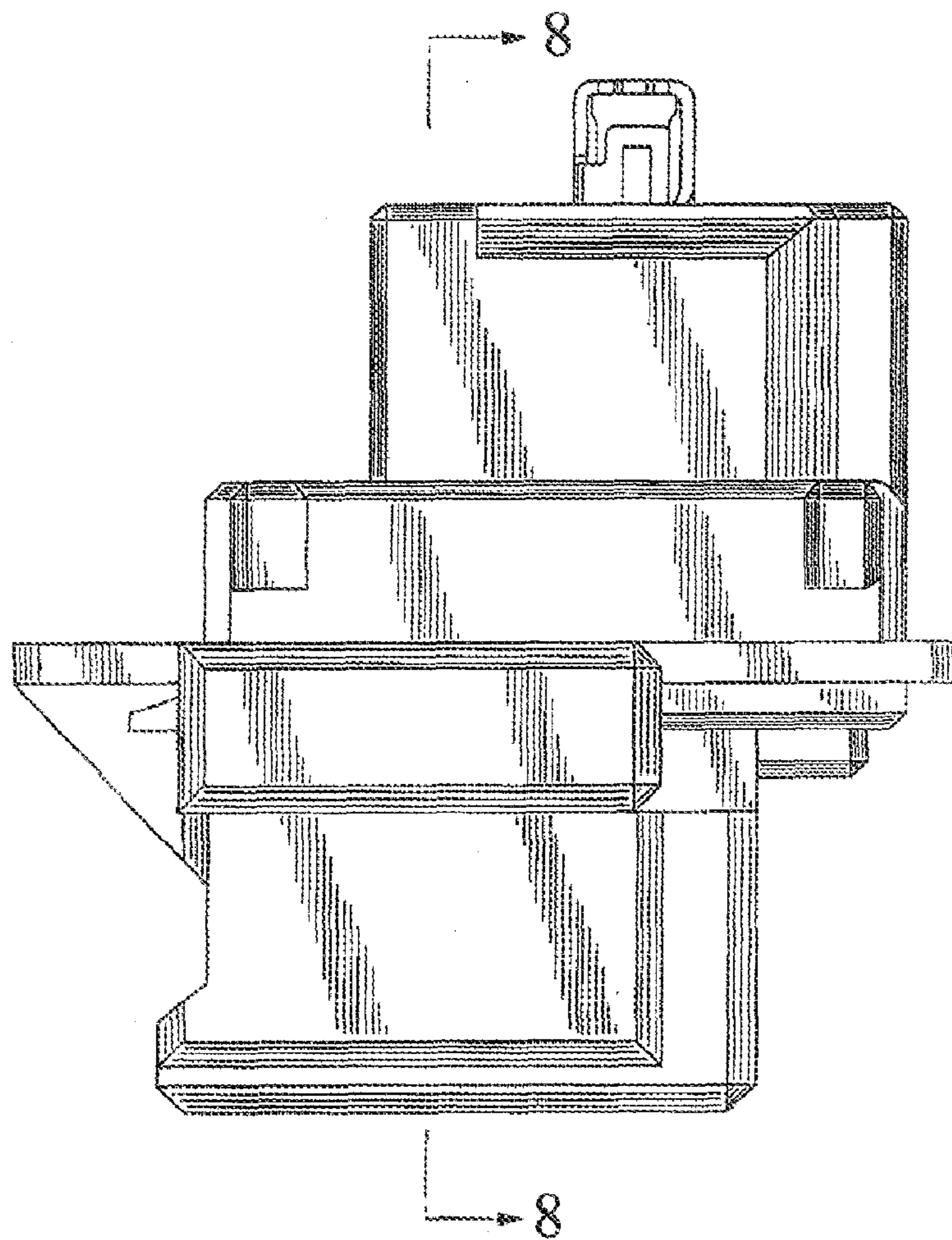


FIG. 7

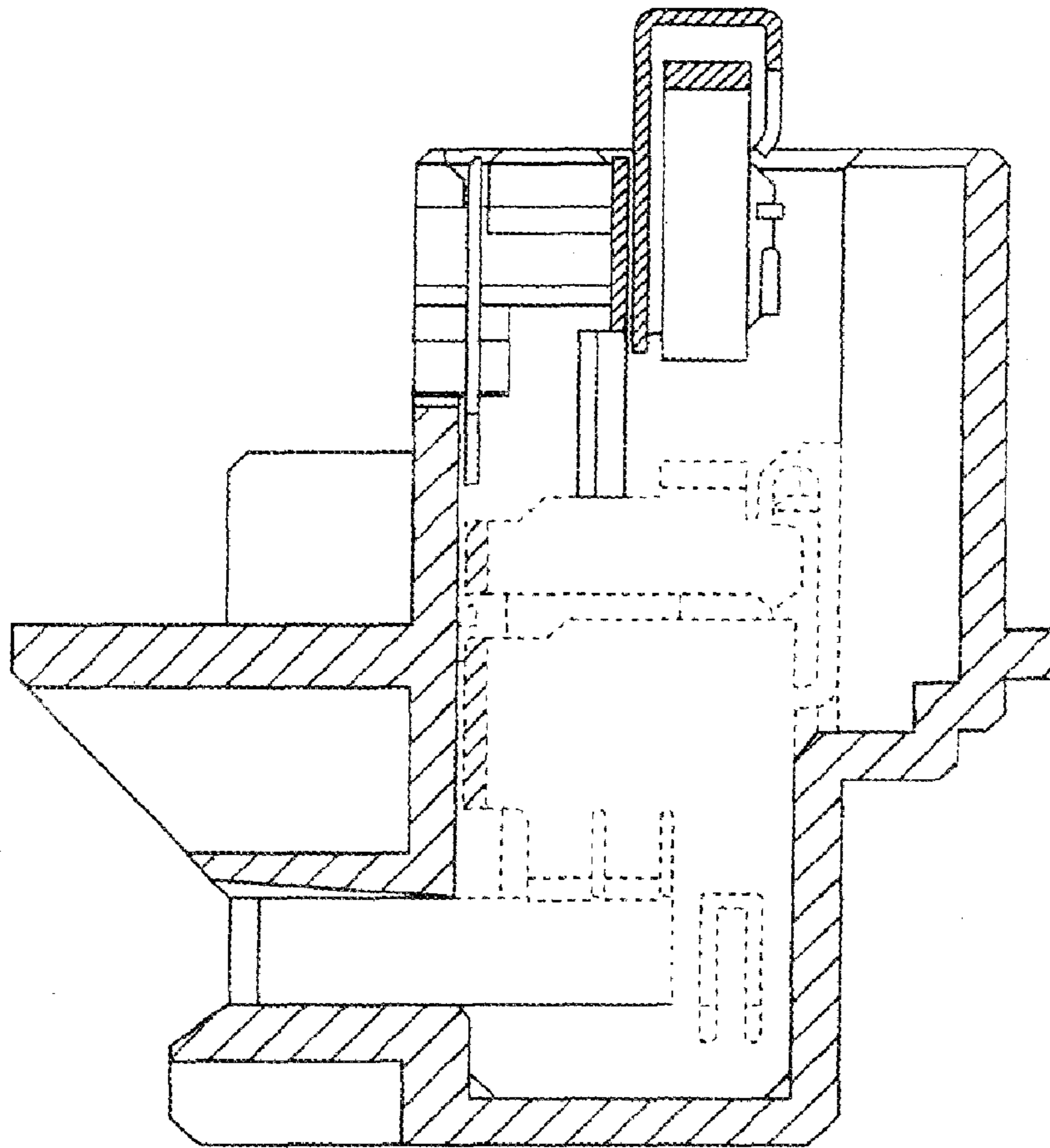


FIG. 8

