



US00D656451S

(12) **United States Design Patent**
Zhao

(10) **Patent No.:** **US D656,451 S**

(45) **Date of Patent:** **** Mar. 27, 2012**

(54) **AUTOMOBILE WHEEL**

(75) Inventor: **John Zhao**, Monterey Park, CA (US)

(73) Assignee: **Wah Hung International Machinery Inc.**, Monterey Park, CA (US)

(**) Term: **14 Years**

(21) Appl. No.: **29/406,243**

(22) Filed: **Nov. 10, 2011**

(51) **LOC (9) Cl.** **12-16**

(52) **U.S. Cl.** **D12/211**

(58) **Field of Classification Search** D12/204-213;
301/37.101, 64.101, 65, 64.201

See application file for complete search history.

(56) **References Cited**

U.S. PATENT DOCUMENTS

D446,493 S *	8/2001	Sulahian et al.	D12/211
D470,449 S *	2/2003	Bernoni	D12/211
D498,725 S *	11/2004	Suciu	D12/211
D517,972 S *	3/2006	Tirado	D12/211
D518,766 S *	4/2006	Burns	D12/211
D524,215 S *	7/2006	Guevara	D12/211
D542,210 S *	5/2007	Plumer	D12/211
D573,083 S *	7/2008	Hetrick	D12/211

D578,459 S *	10/2008	Hetrick	D12/211
D582,831 S *	12/2008	Musser	D12/211
D585,808 S *	2/2009	Hetrick	D12/211
D586,715 S *	2/2009	Cortes	D12/211
D617,721 S *	6/2010	Zhao	D12/211
D619,074 S *	7/2010	Zhao	D12/211
D623,108 S *	9/2010	Spoerle	D12/209
D624,863 S *	10/2010	Zhao	D12/211
D629,734 S *	12/2010	Batchelor	D12/211

* cited by examiner

Primary Examiner — Stacia Cadmus

(74) *Attorney, Agent, or Firm* — Dariush G. Adli; Adli Law Group P.C.

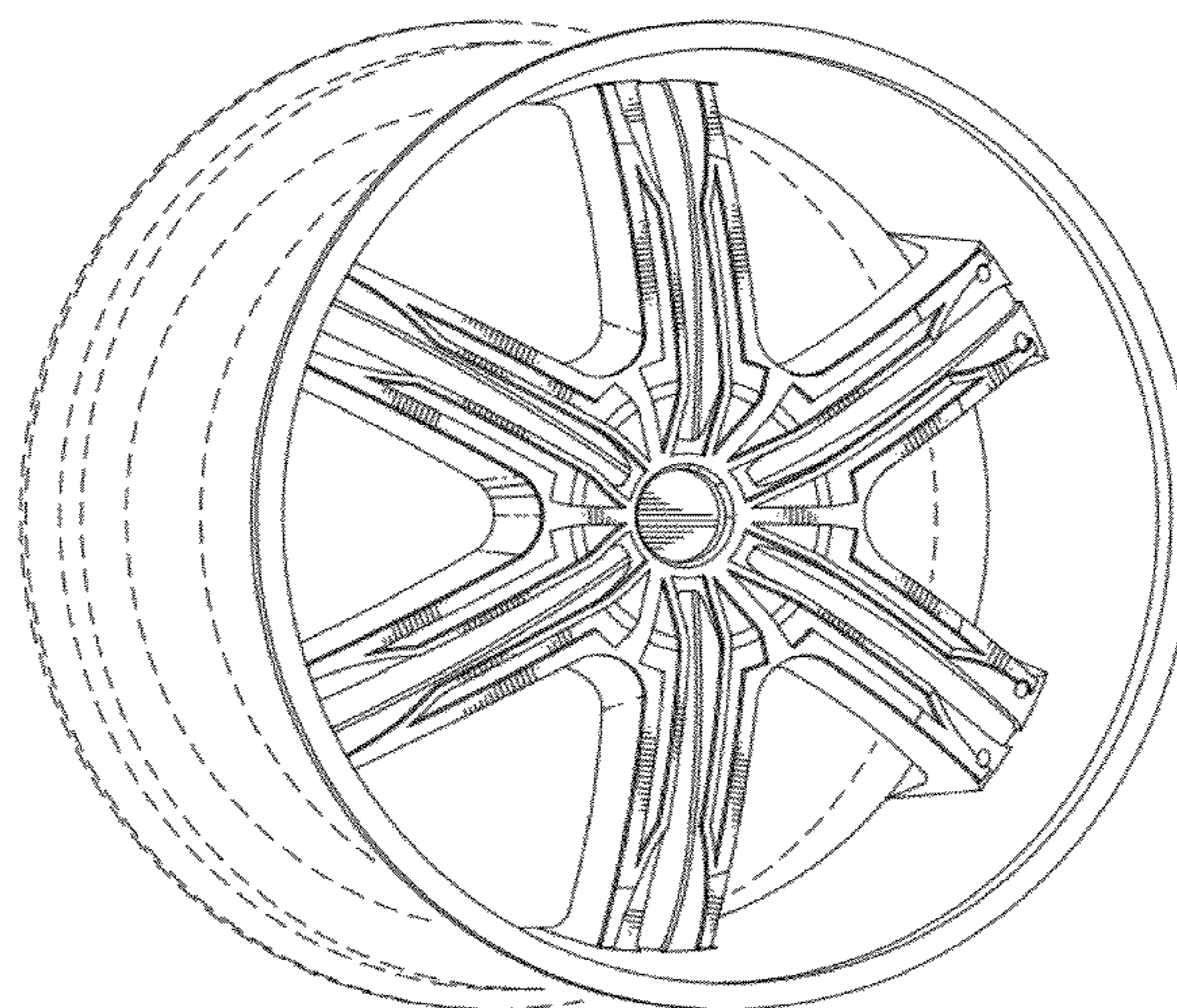
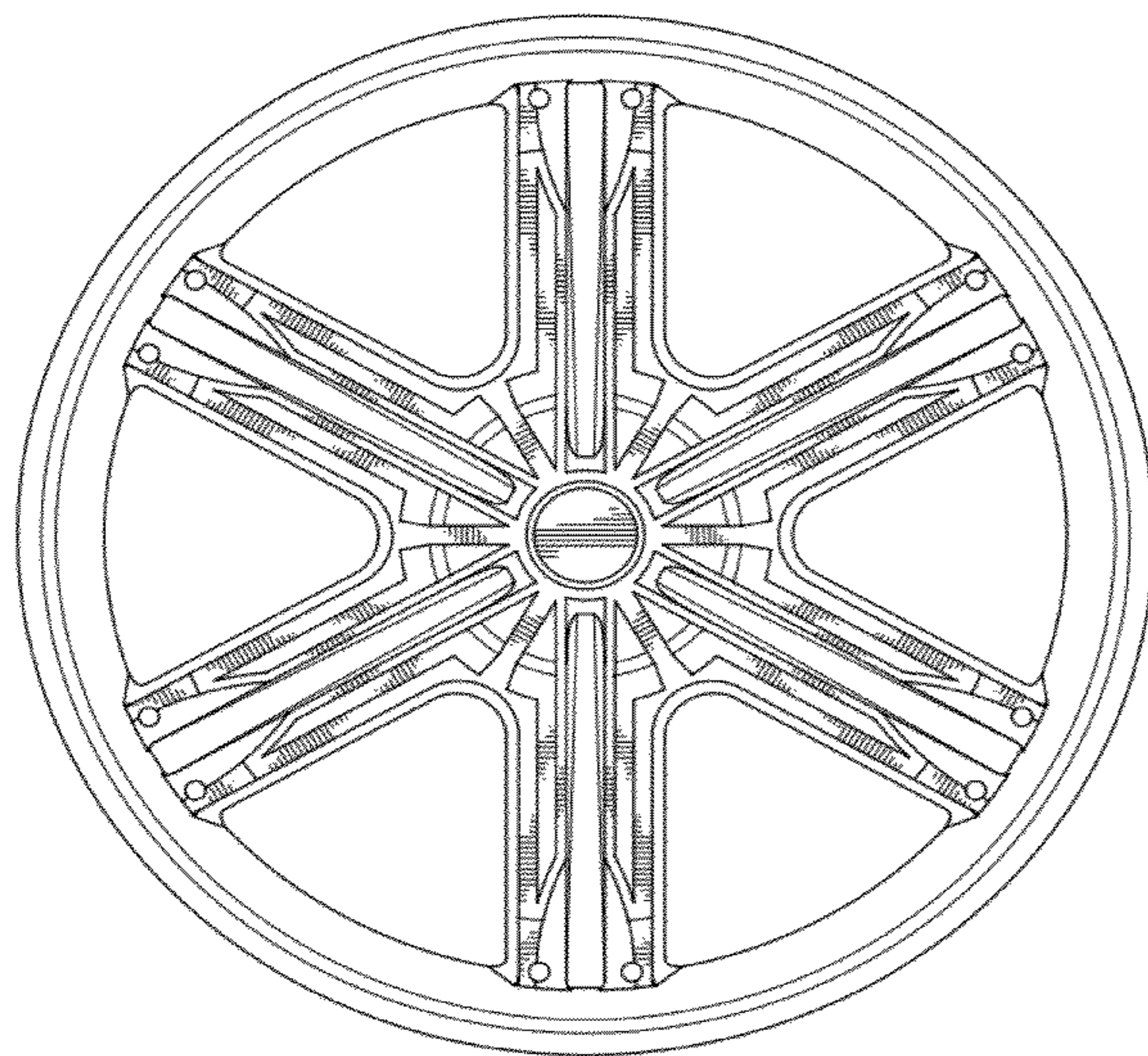
(57) **CLAIM**

The ornamental design for an automobile wheel, as shown and described.

DESCRIPTION

FIG. 1 is a front elevational view of an automobile wheel, showing my new design; and, FIG. 2 is perspective view thereof. The broken line showing of the rear of the rim is included for the purpose of illustrating environment and forms no part of the claimed design.

1 Claim, 2 Drawing Sheets



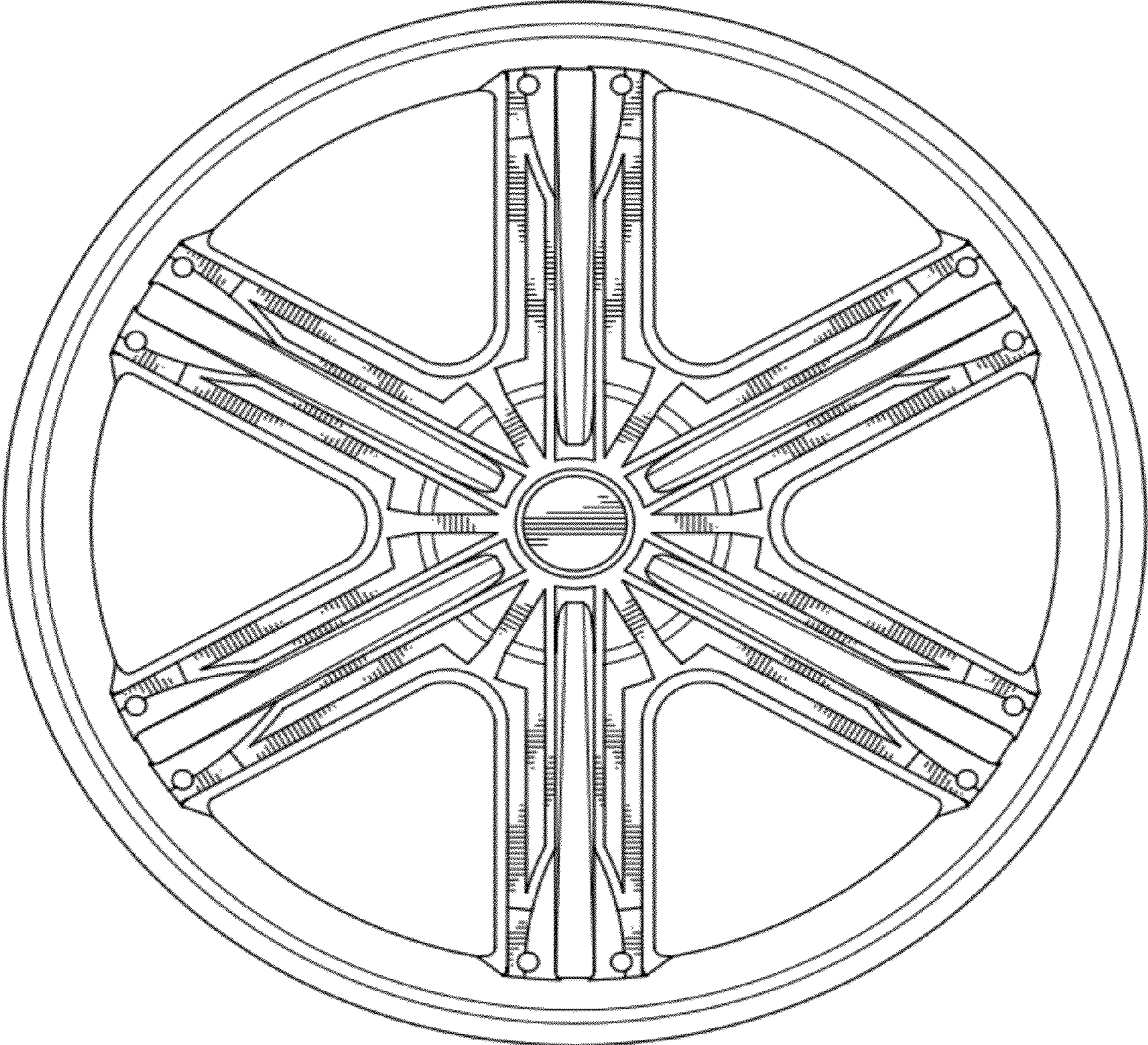


FIG. 1

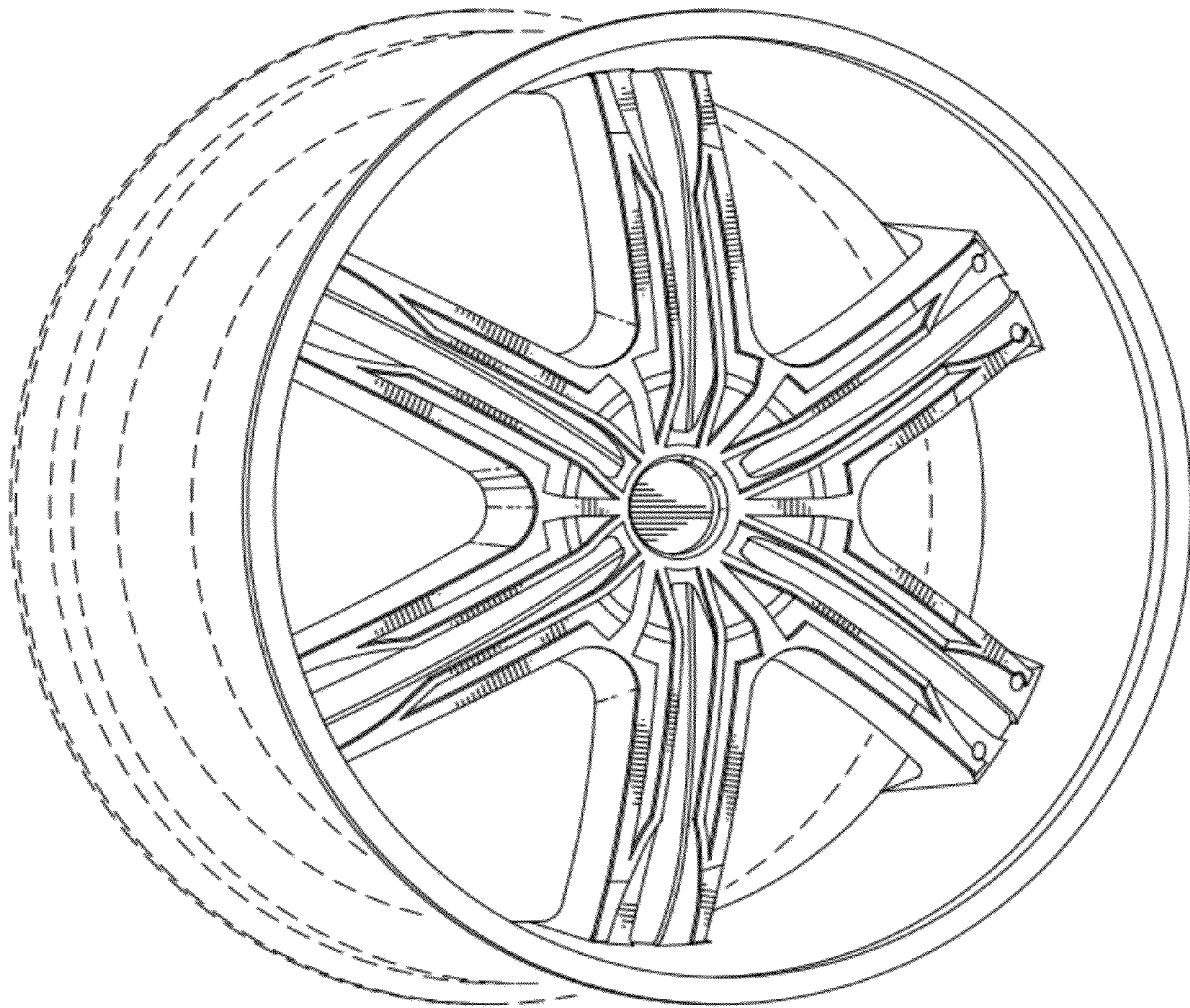


FIG. 2