



US00D656450S

(12) **United States Design Patent**  
**Zhao**

(10) **Patent No.:** **US D656,450 S**  
(45) **Date of Patent:** **\*\* Mar. 27, 2012**

(54) **AUTOMOBILE WHEEL**

(75) Inventor: **John Zhao**, Monterey Park, CA (US)

(73) Assignee: **Wah Hung International Machinery Inc.**, Monterey Park, CA (US)

(\*\*) Term: **14 Years**

(21) Appl. No.: **29/406,242**

(22) Filed: **Nov. 10, 2011**

(51) **LOC (9) Cl.** ..... **12-16**

(52) **U.S. Cl.** ..... **D12/211**

(58) **Field of Classification Search** ..... D12/204-213;  
301/37.101, 64.101, 65, 64.201  
See application file for complete search history.

(56) **References Cited**

U.S. PATENT DOCUMENTS

D208,542 S *	9/1967	Halibrand	.....	D12/211
D438,165 S *	2/2001	Echazabal	.....	D12/211
D446,493 S *	8/2001	Sulahian et al.	.....	D12/211
D449,267 S *	10/2001	Fitzgerald	.....	D12/211
D455,703 S *	4/2002	Foose	.....	D12/211
D459,691 S *	7/2002	Takechi	.....	D12/211
D470,449 S *	2/2003	Bernoni	.....	D12/211
D475,961 S *	6/2003	Pfeiffer et al.	.....	D12/211
D480,347 S *	10/2003	Nemoto	.....	D12/211
D488,763 S *	4/2004	Takechi	.....	D12/211
D498,195 S *	11/2004	Guevara	.....	D12/211

D498,725 S *	11/2004	Suciu	.....	D12/211
D512,361 S *	12/2005	Cornell	.....	D12/211
D518,766 S *	4/2006	Burns	.....	D12/211
D524,215 S *	7/2006	Guevara	.....	D12/211
D542,210 S *	5/2007	Plumer	.....	D12/211
D555,066 S *	11/2007	Hernandez	.....	D12/211
D577,323 S *	9/2008	Chung	.....	D12/211
D579,848 S *	11/2008	Kim	.....	D12/211
D585,808 S *	2/2009	Hetrick	.....	D12/211
D597,012 S *	7/2009	Chung	.....	D12/211
D617,721 S *	6/2010	Zhao	.....	D12/211
D623,114 S *	9/2010	Geisler	.....	D12/211
D629,734 S *	12/2010	Batchelor	.....	D12/211
D638,769 S *	5/2011	Groom	.....	D12/211

\* cited by examiner

*Primary Examiner* — Stacia Cadmus

(74) *Attorney, Agent, or Firm* — Dariush G. Adli; Adli Law Group P.C.

(57) **CLAIM**

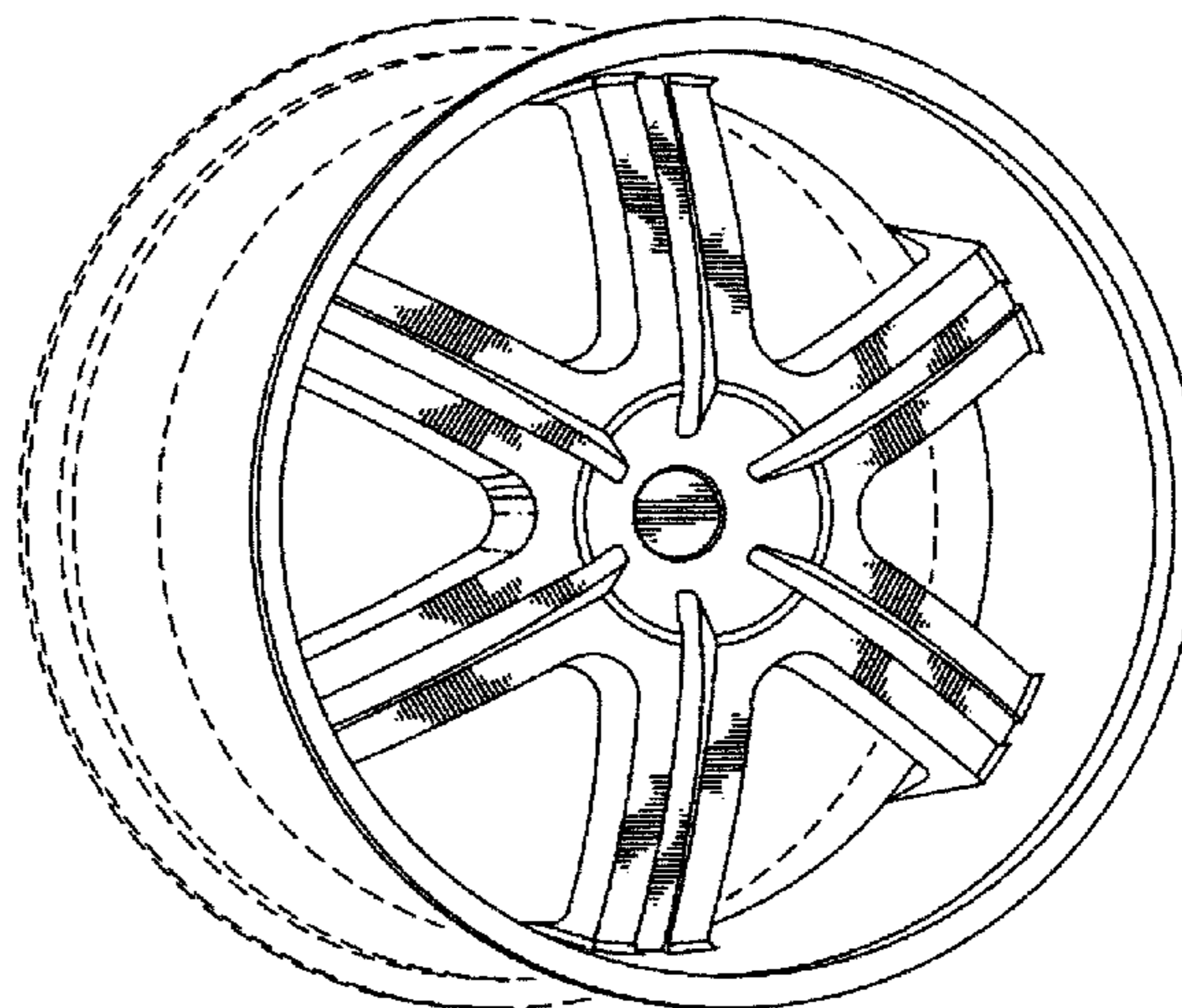
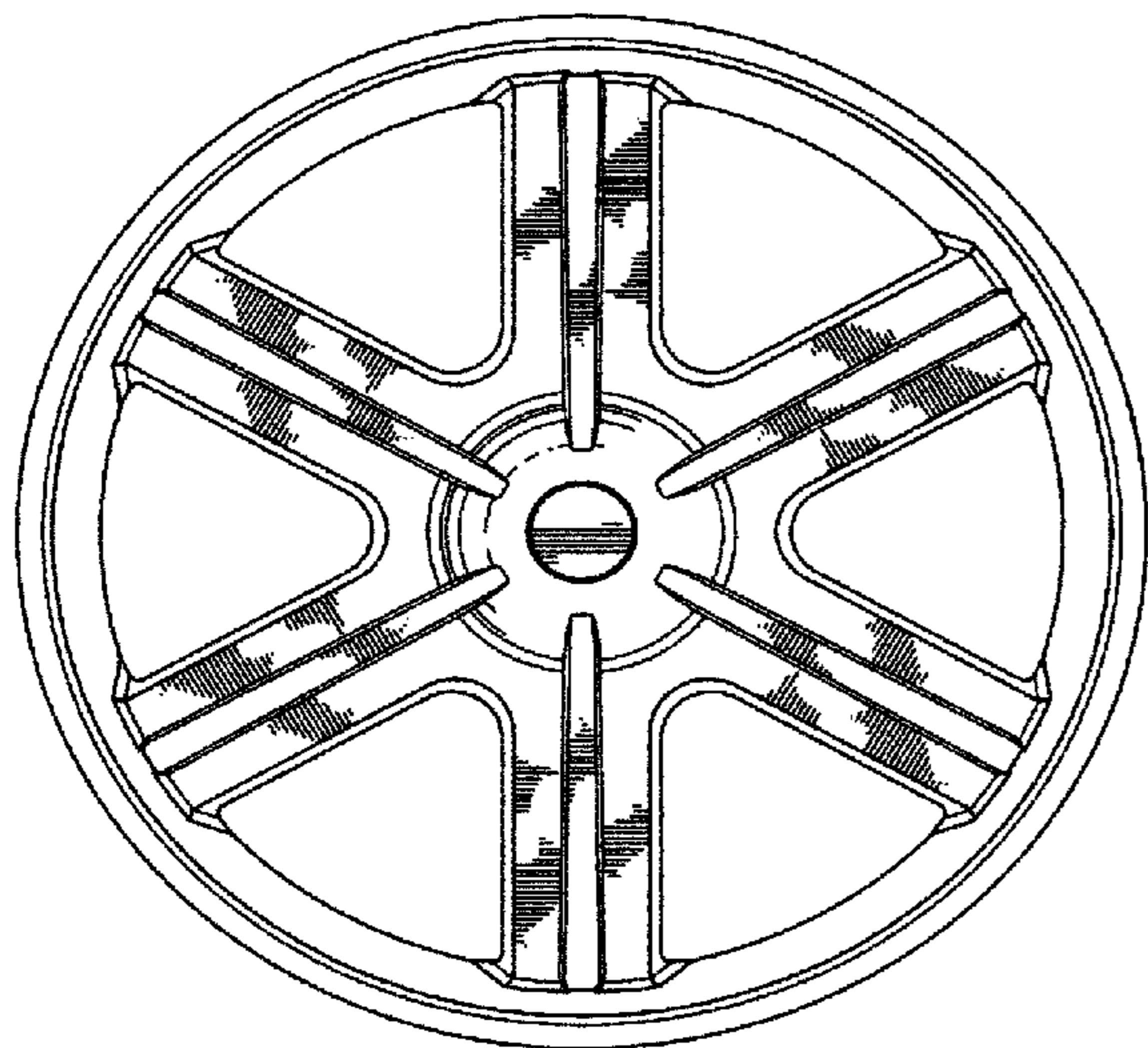
The ornamental design for an automobile wheel, as shown and described.

**DESCRIPTION**

FIG. 1 is a front elevational view of an automobile wheel, showing my new design; and, FIG. 2 is perspective view thereof.

The broken line showing of the rear of the rim is included for the purpose of illustrating environment and forms no part of the claimed design.

**1 Claim, 2 Drawing Sheets**





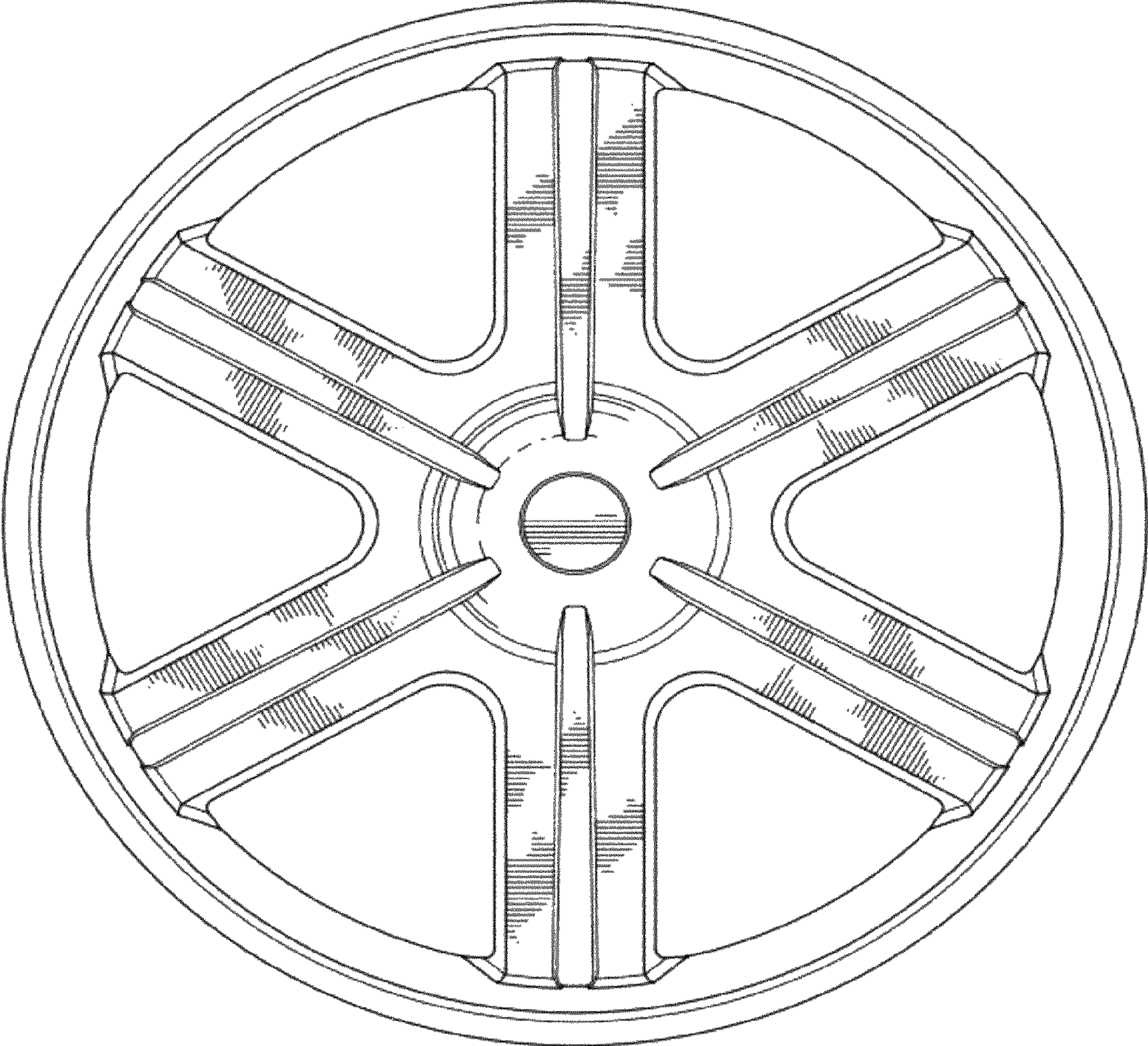


FIG. 1

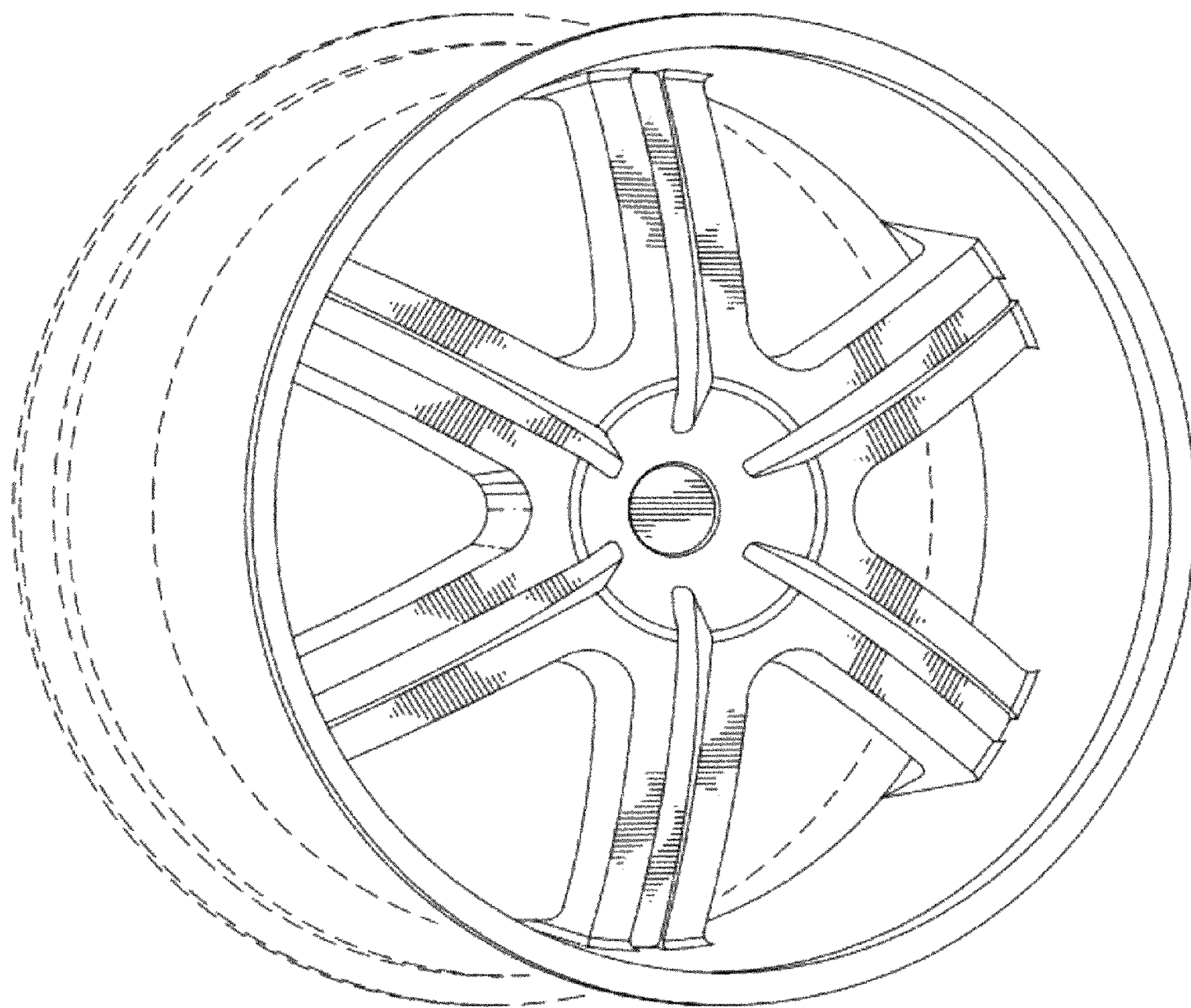


FIG. 2