



US00D656449S

(12) **United States Design Patent**
Zhao

(10) **Patent No.:** **US D656,449 S**
(45) **Date of Patent:** **** Mar. 27, 2012**

(54) **AUTOMOBILE WHEEL**

(75) Inventor: **John Zhao**, Monterey Park, CA (US)

(73) Assignee: **Wah Hung International Machinery Inc.**, Monterey Park, CA (US)

(**) Term: **14 Years**

(21) Appl. No.: **29/406,235**

(22) Filed: **Nov. 10, 2011**

(51) **LOC (9) Cl.** **12-16**

(52) **U.S. Cl.** **D12/211**

(58) **Field of Classification Search** D12/204-213;
301/37.101, 64.101, 65, 64.201

See application file for complete search history.

(56) **References Cited**

U.S. PATENT DOCUMENTS

D351,371 S	*	10/1994	Abele	D12/209
D365,318 S	*	12/1995	Neeper	D12/209
D419,127 S	*	1/2000	Megugorac	D12/209
D442,136 S	*	5/2001	Provost	D12/209
D454,326 S	*	3/2002	Brown et al.	D12/209
D501,171 S	*	1/2005	Muro	D12/209
D578,457 S	*	10/2008	Guidry	D12/211

D582,334 S	*	12/2008	Fournier	D12/211
D617,722 S	*	6/2010	Zhao	D12/211
D618,150 S	*	6/2010	Hilpert	D12/209
D622,203 S	*	8/2010	Tirado	D12/211
D628,135 S	*	11/2010	Zhao	D12/211
D629,732 S	*	12/2010	Tirado	D12/209
D630,567 S	*	1/2011	Ettensberger	D12/211
D631,815 S	*	2/2011	Foose	D12/211
D635,908 S	*	4/2011	Batchelor	D12/211

* cited by examiner

Primary Examiner — Stacia Cadmus

(74) *Attorney, Agent, or Firm* — Dariush G. Adli; Adli Law Group P.C.

(57) **CLAIM**

The ornamental design for an automobile wheel, as shown and described.

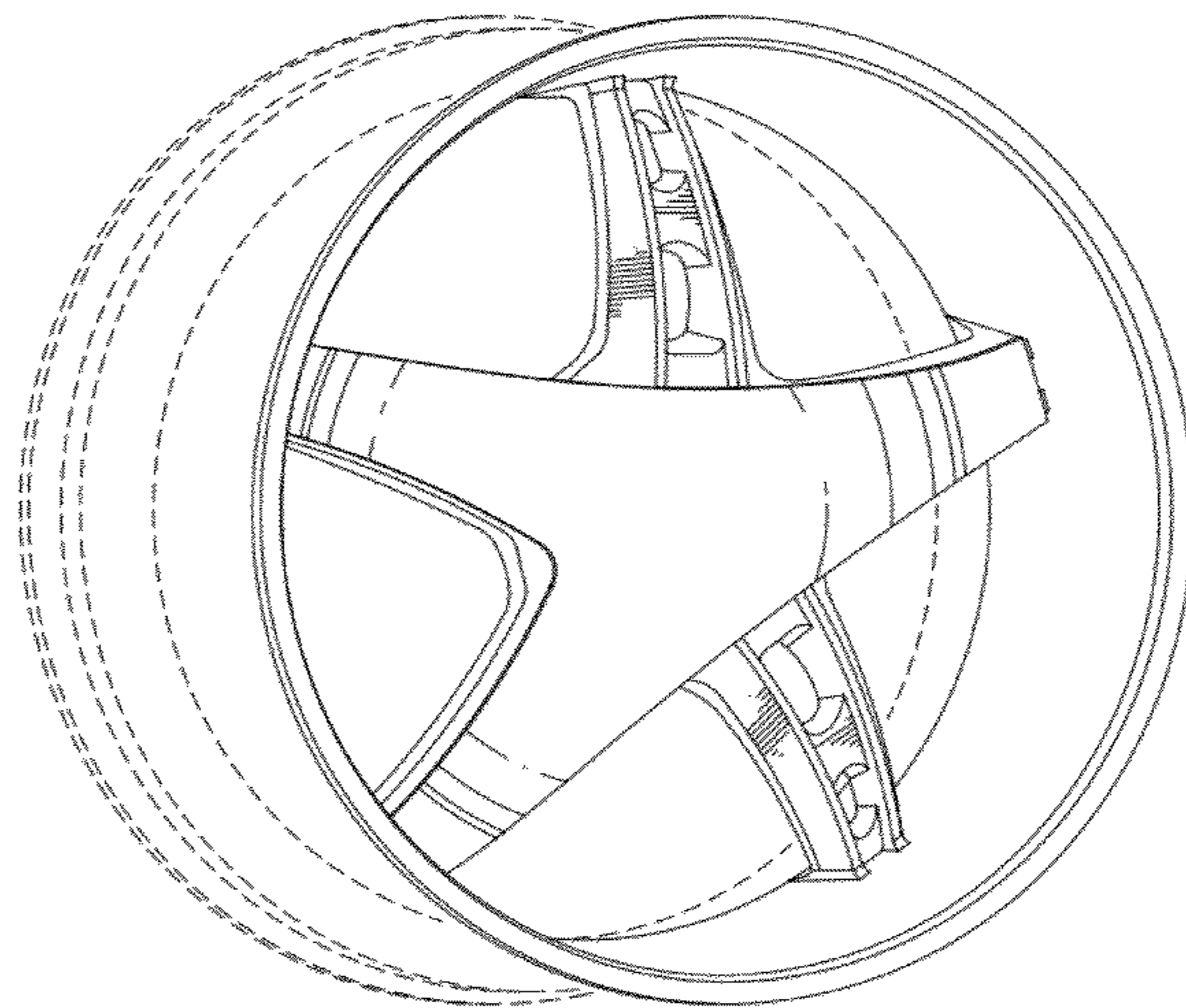
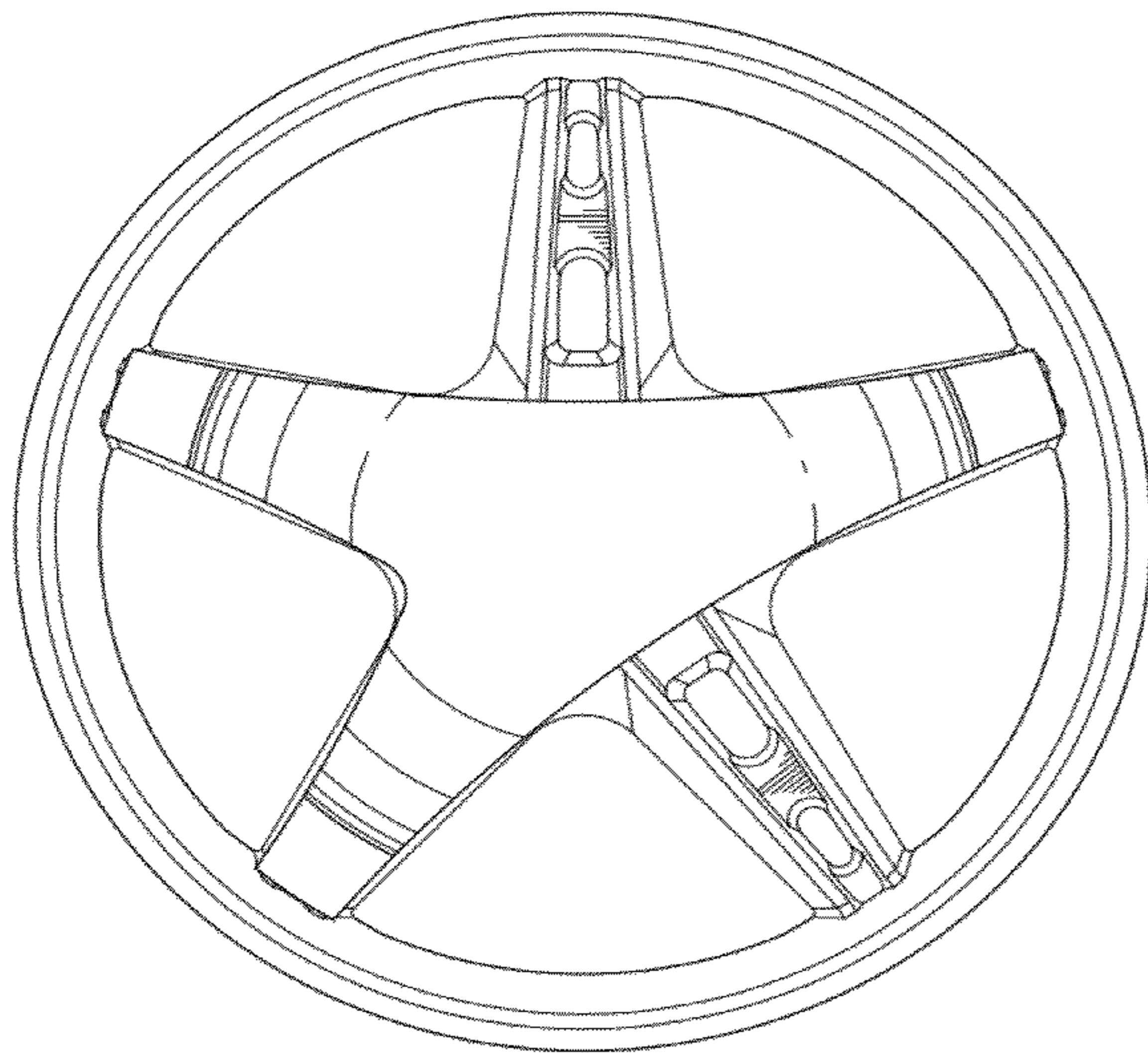
DESCRIPTION

FIG. 1 is a front elevational view of an automobile wheel, showing my new design; and,

FIG. 2 is perspective view thereof.

The broken line showing of the rear of the rim is included for the purpose of illustrating environment and forms no part of the claimed design.

1 Claim, 2 Drawing Sheets



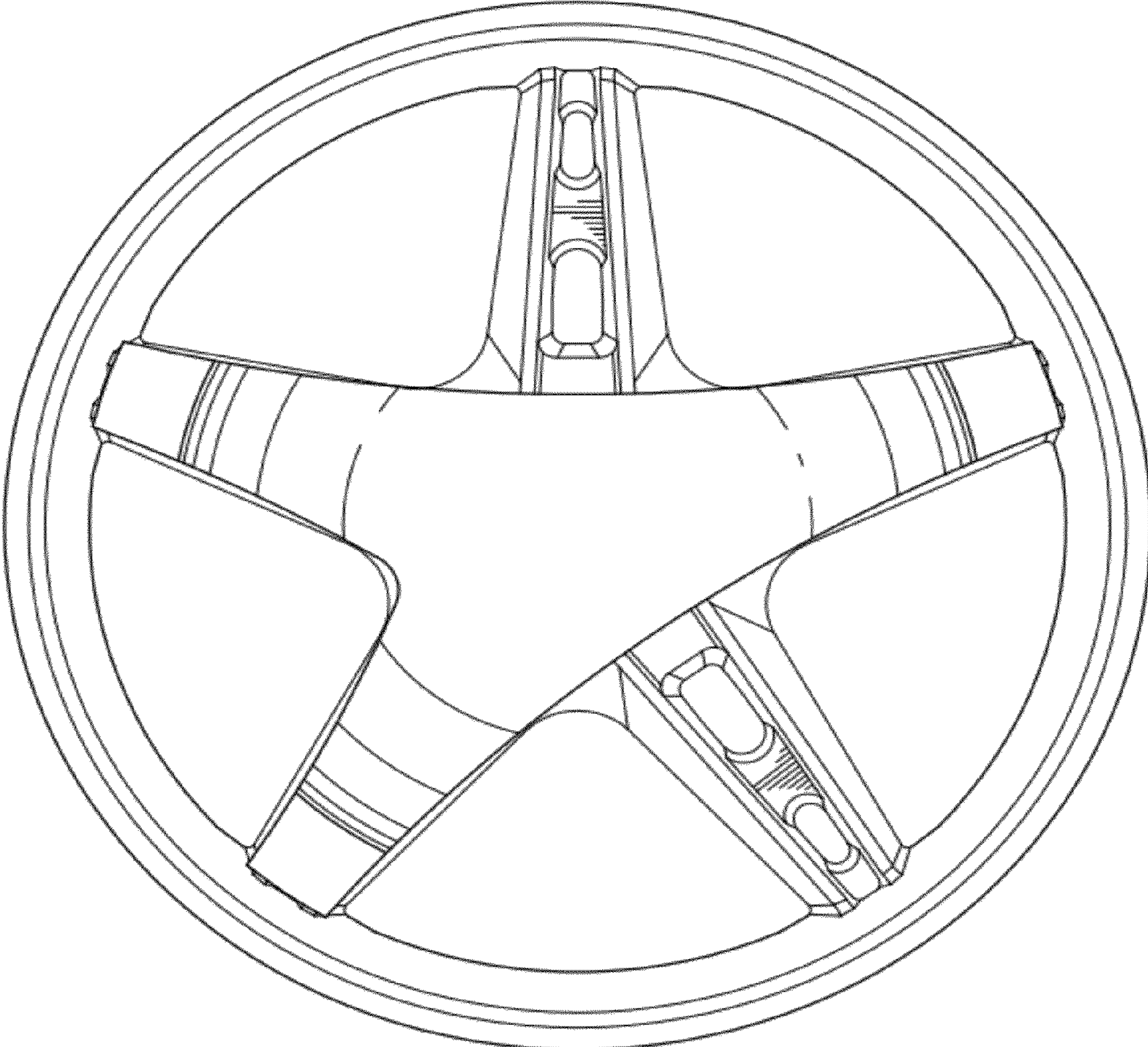


FIG. 1

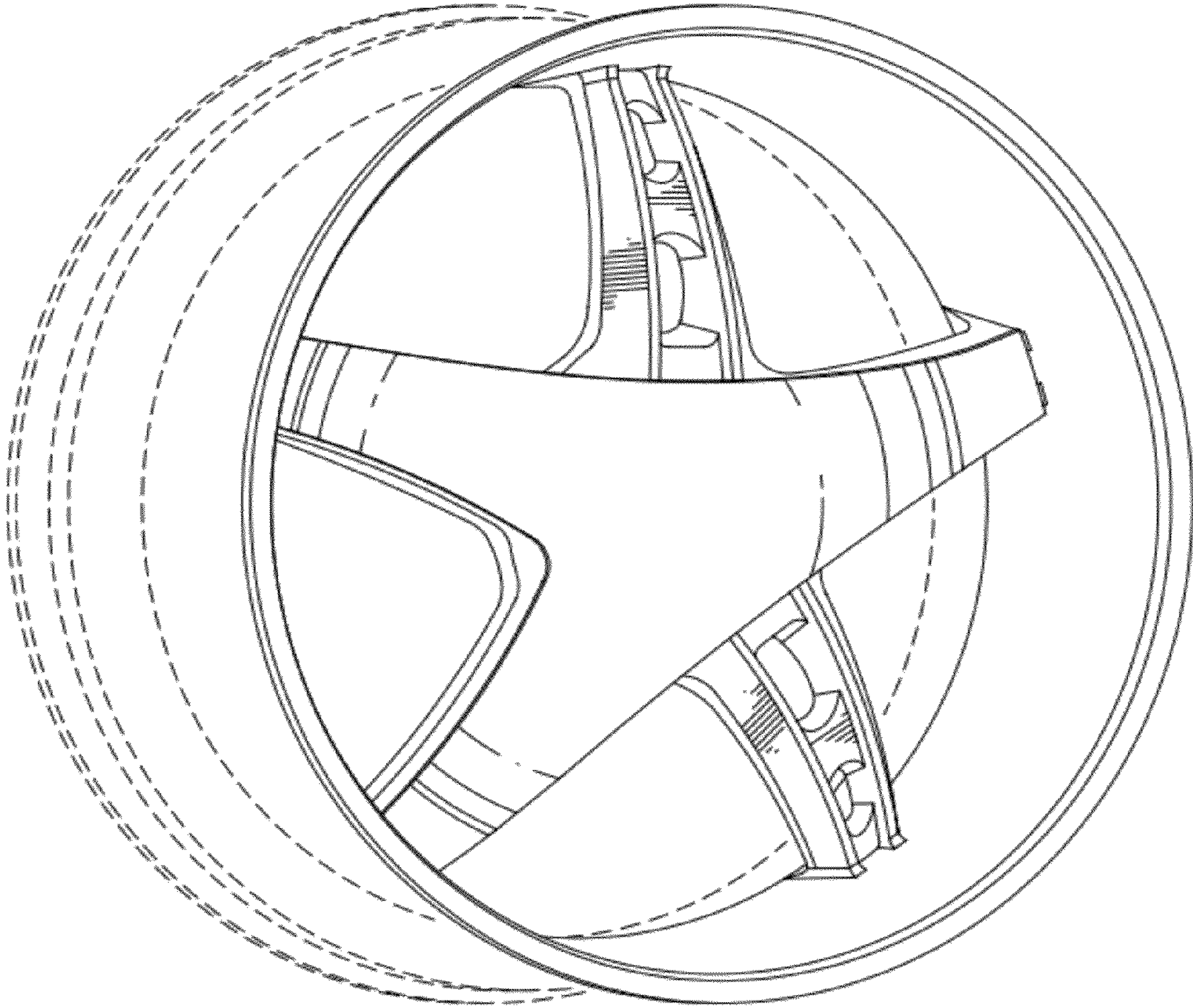


FIG. 2