



US00D656448S

(12) **United States Design Patent**  
**Zhao**

(10) **Patent No.:** **US D656,448 S**

(45) **Date of Patent:** **\*\* Mar. 27, 2012**

(54) **AUTOMOBILE WHEEL**

(75) **Inventor:** **John Zhao**, Monterey Park, CA (US)

(73) **Assignee:** **Wah Hung International Machinery Inc.**, Monterey Park, CA (US)

(\*\*) **Term:** **14 Years**

(21) **Appl. No.:** **29/406,233**

(22) **Filed:** **Nov. 10, 2011**

(51) **LOC (9) Cl.** ..... **12-16**

(52) **U.S. Cl.** ..... **D12/211**

(58) **Field of Classification Search** ..... D12/204-213;  
301/37.101, 64.101, 65, 64.201

See application file for complete search history.

(56) **References Cited**

**U.S. PATENT DOCUMENTS**

D578,457 S	*	10/2008	Guidry .....	D12/211
D582,334 S	*	12/2008	Fournier .....	D12/211
D617,722 S	*	6/2010	Zhao .....	D12/211
D618,150 S	*	6/2010	Hilpert .....	D12/209

D622,203 S	*	8/2010	Tirado .....	D12/211
D628,135 S	*	11/2010	Zhao .....	D12/211
D629,732 S	*	12/2010	Tirado .....	D12/209
D630,567 S	*	1/2011	Ettensberger .....	D12/211
D631,815 S	*	2/2011	Foose .....	D12/211
D635,908 S	*	4/2011	Batchelor .....	D12/211

\* cited by examiner

*Primary Examiner* — Stacia Cadmus

(74) *Attorney, Agent, or Firm* — Dariush G. Adli; Adil Law Group P.C.

(57) **CLAIM**

The ornamental design for an automobile wheel, as shown and described.

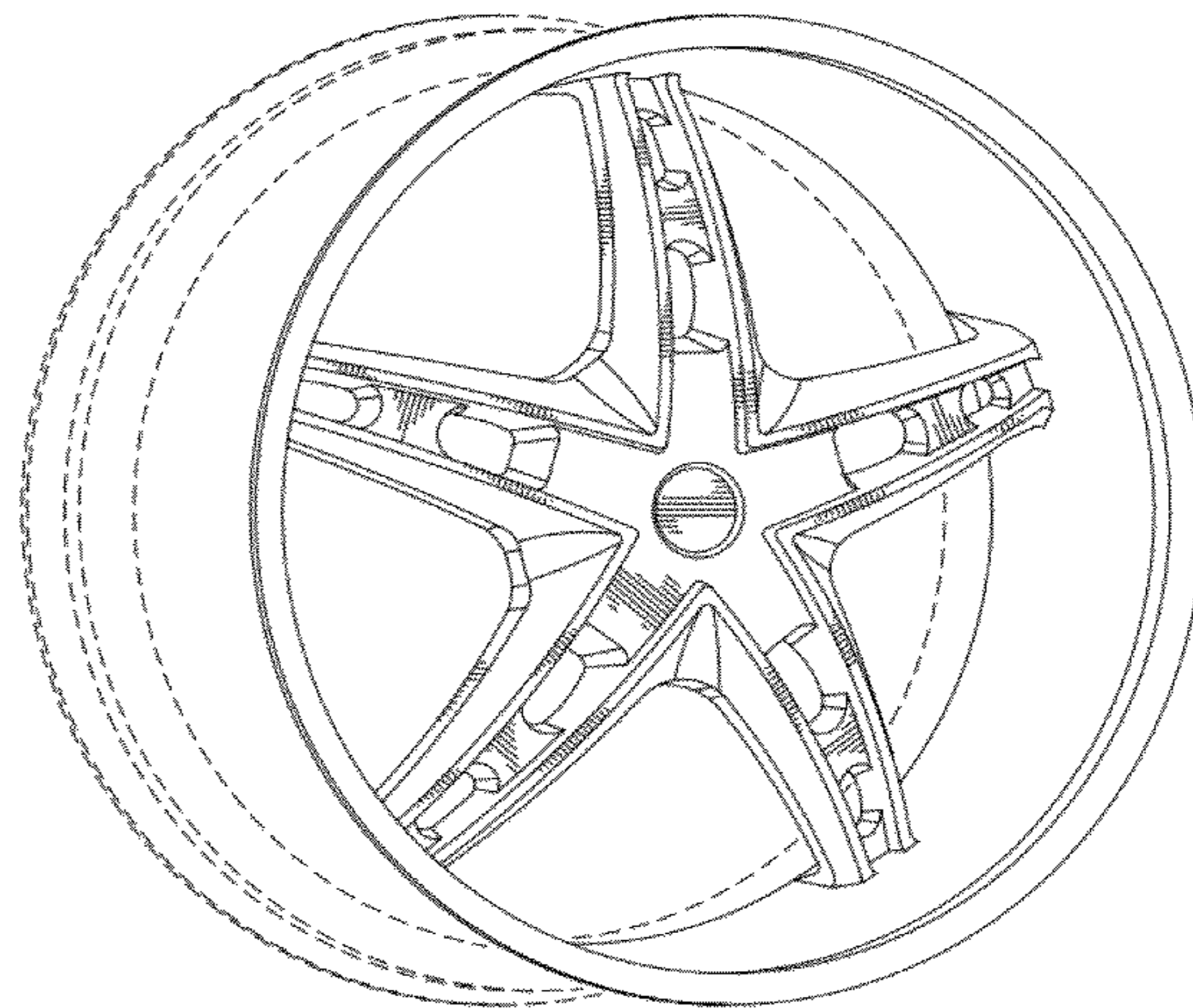
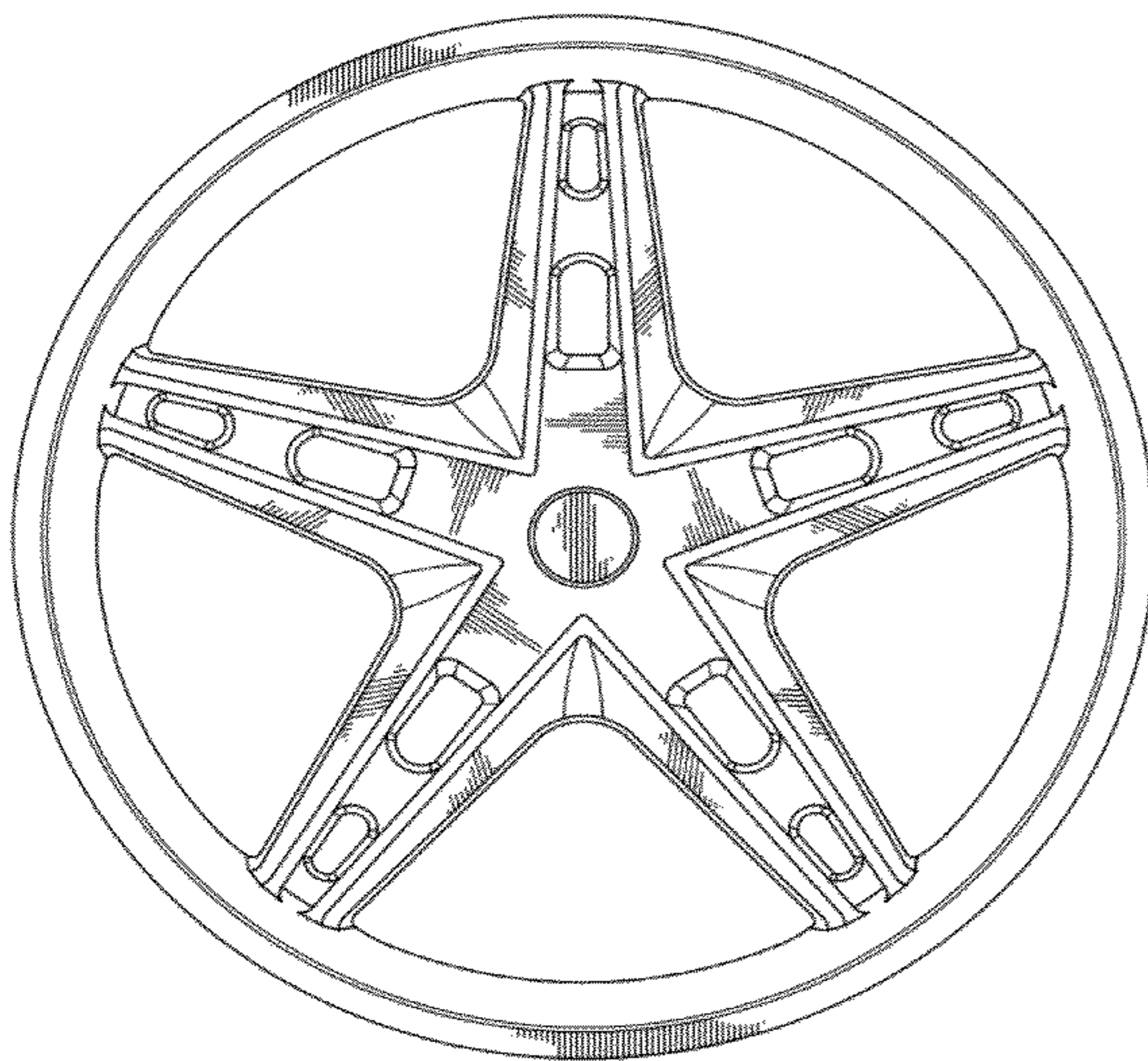
**DESCRIPTION**

FIG. 1 is a front elevational view of an automobile wheel, showing my new design; and,

FIG. 2 is perspective view thereof.

The broken line showing of the rear of the rim is included for the purpose of illustrating environment and forms no part of the claimed design.

**1 Claim, 2 Drawing Sheets**



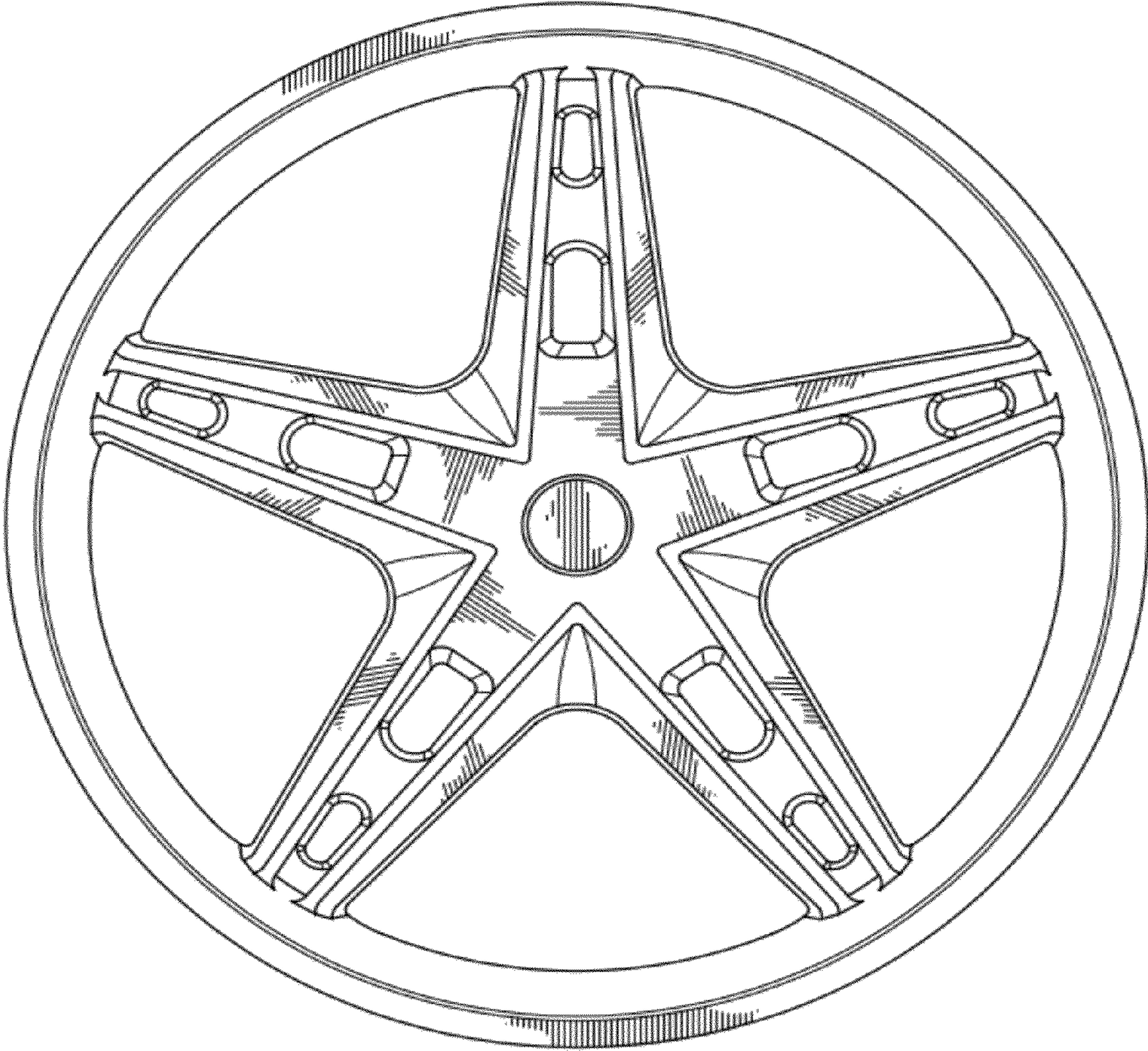


FIG. 1

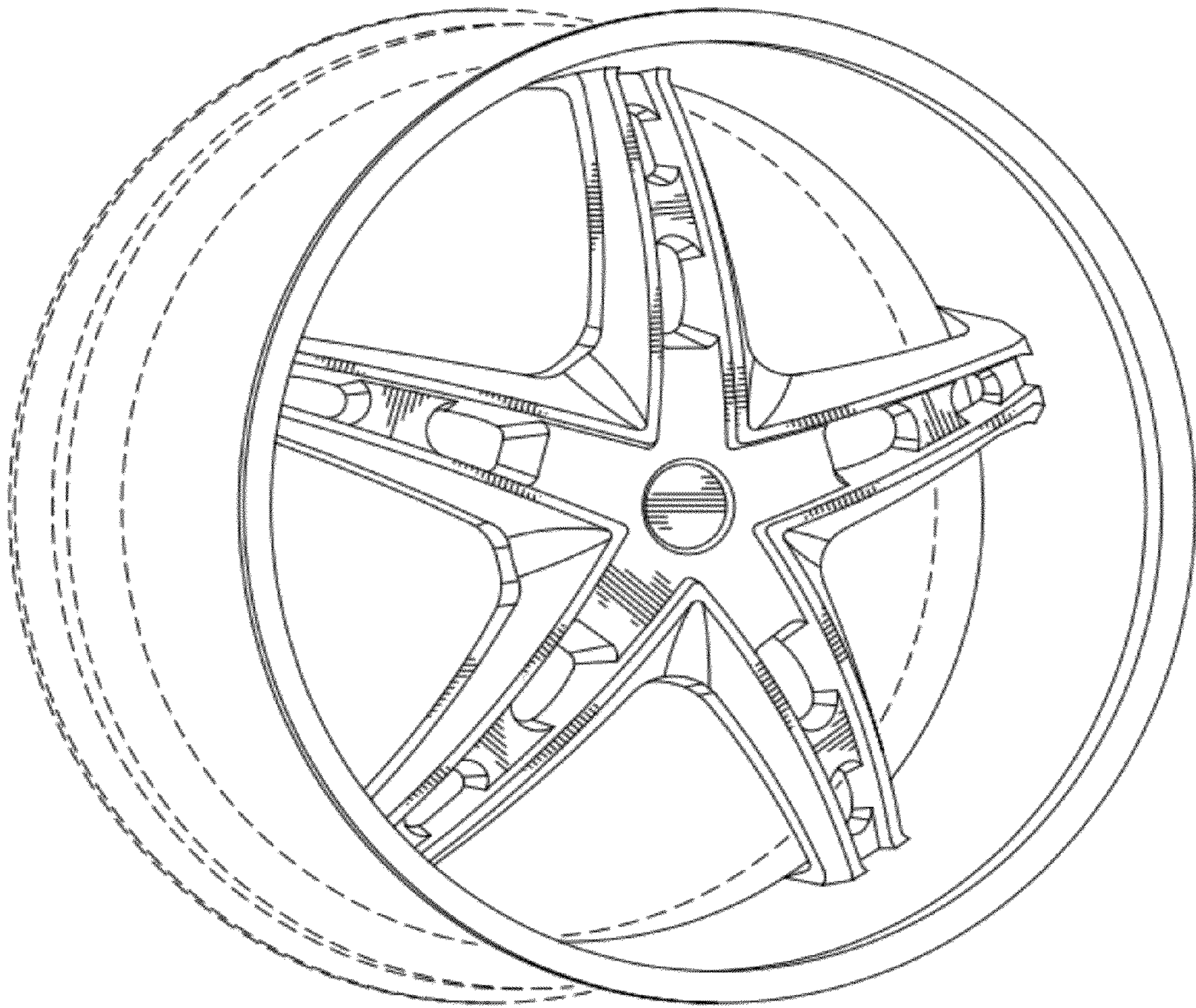


FIG. 2