

US00D656447S

(12) **United States Design Patent**
Johnson

(10) **Patent No.:** **US D656,447 S**

(45) **Date of Patent:** **** Mar. 27, 2012**

(54) **AUTOMOTIVE WHEEL**

(75) Inventor: **Kelly Johnson**, Placentia, CA (US)

(73) Assignee: **Kevin Lee**, Yorba Linda, CA (US)

(**) Term: **14 Years**

(21) Appl. No.: **29/401,728**

(22) Filed: **Sep. 14, 2011**

(51) **LOC (9) Cl.** **12-16**

(52) **U.S. Cl.** **D12/211**

(58) **Field of Classification Search** D12/204-213;
301/37.101, 64.101, 65, 64.201

See application file for complete search history.

D573,083 S *	7/2008	Hetrick	D12/211
D586,284 S *	2/2009	Fridie	D12/211
D593,478 S *	6/2009	Tirado	D12/211
D604,685 S *	11/2009	Zhou et al.	D12/211
D614,112 S *	4/2010	Tant et al.	D12/211
D633,847 S *	3/2011	Johnson	D12/211

* cited by examiner

Primary Examiner — Stacia Cadmus

(74) *Attorney, Agent, or Firm* — MKW Alloy Inc

(57) **CLAIM**

The ornamental design for an automotive wheel, as shown and described.

DESCRIPTION

FIG. 1 is a front elevation view of the automotive wheel of the instant invention; and,

FIG. 2 is a perspective view of the automotive wheel of the instant invention.

1 Claim, 2 Drawing Sheets

(56) **References Cited**

U.S. PATENT DOCUMENTS

D463,769 S *	10/2002	Chung	D12/211
D503,919 S *	4/2005	Cahyono	D12/211
D535,606 S *	1/2007	Hernandez	D12/211
D548,165 S *	8/2007	Young	D12/211
D553,070 S *	10/2007	Tirado	D12/211

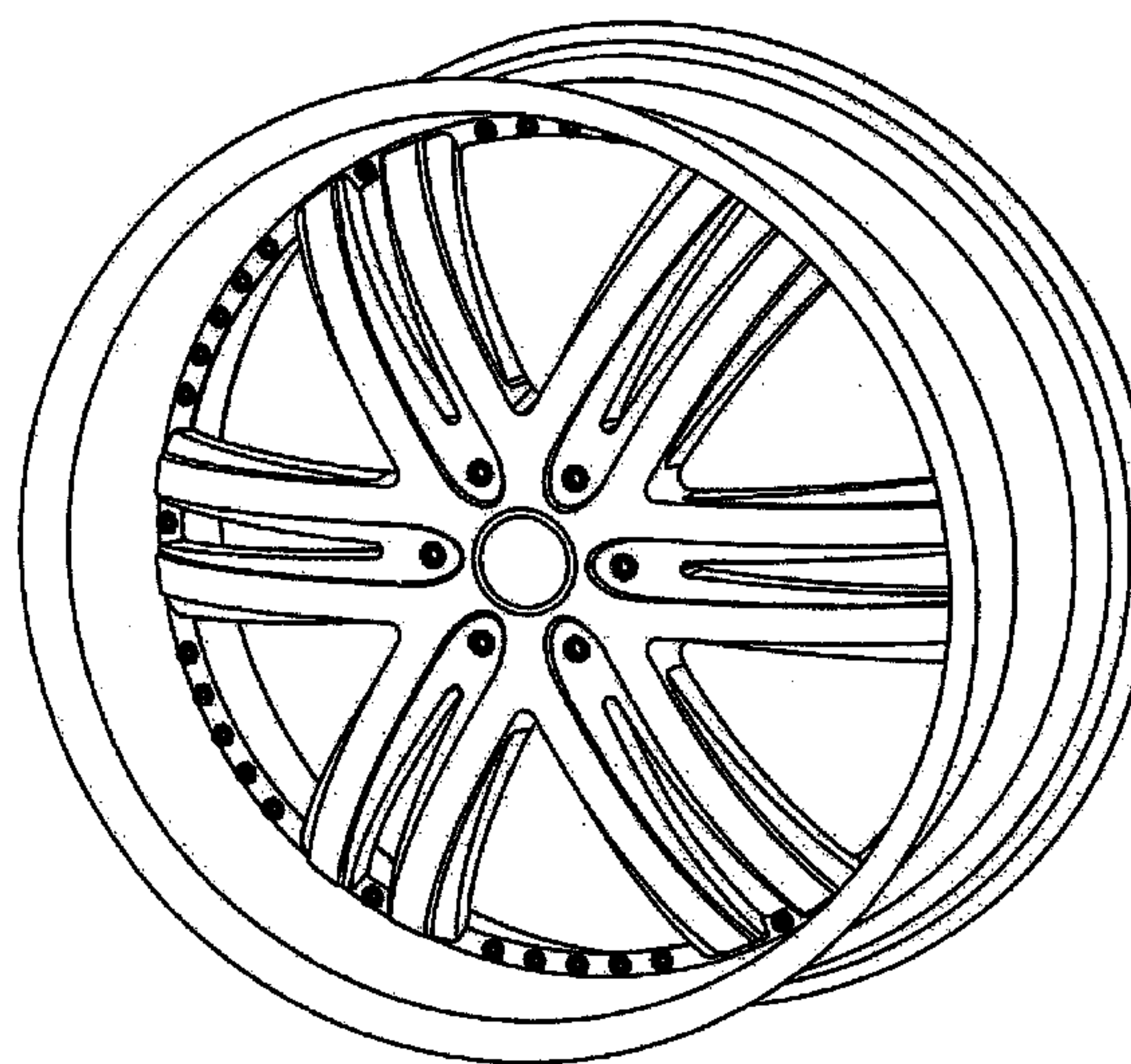
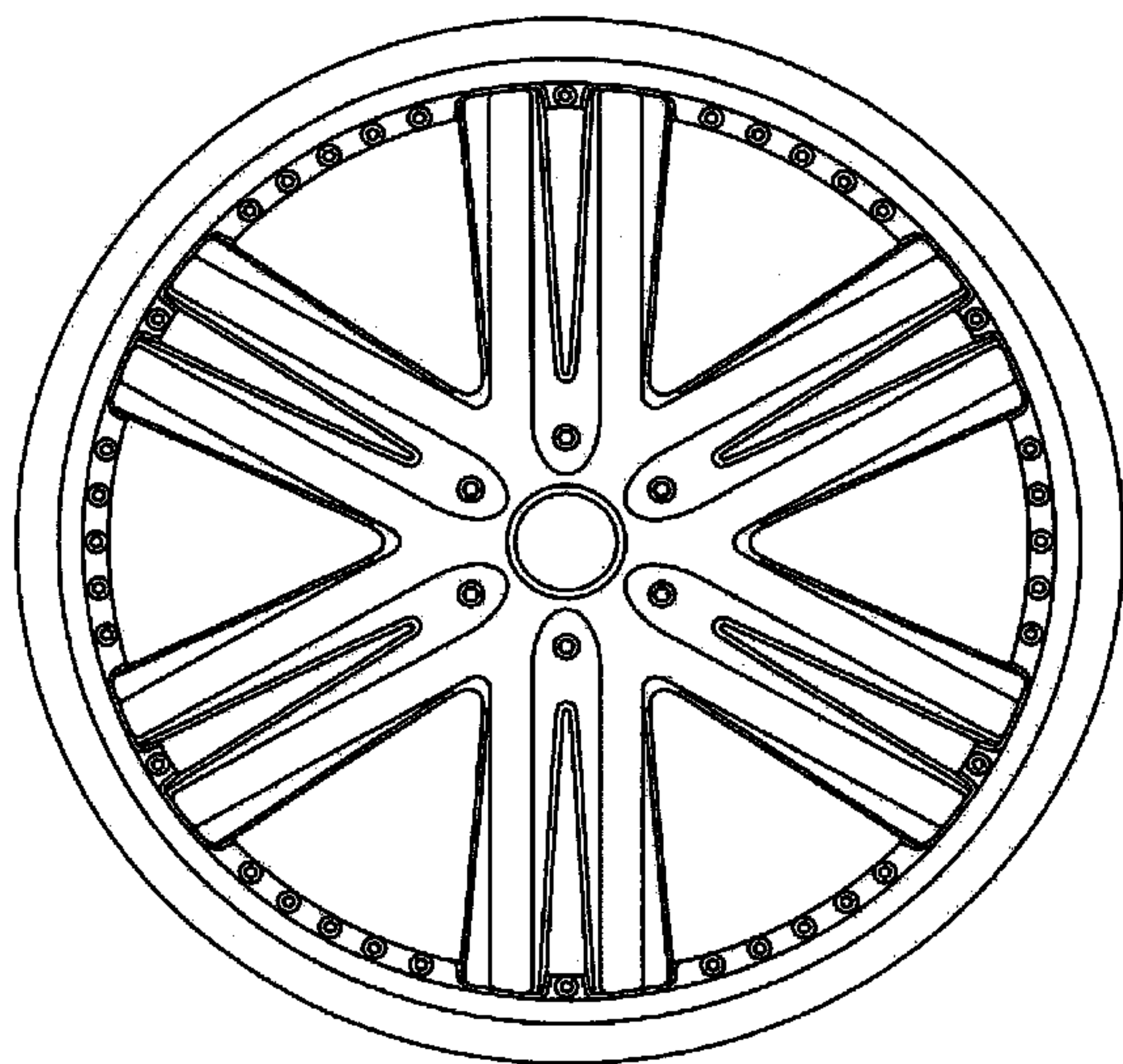


FIGURE 1

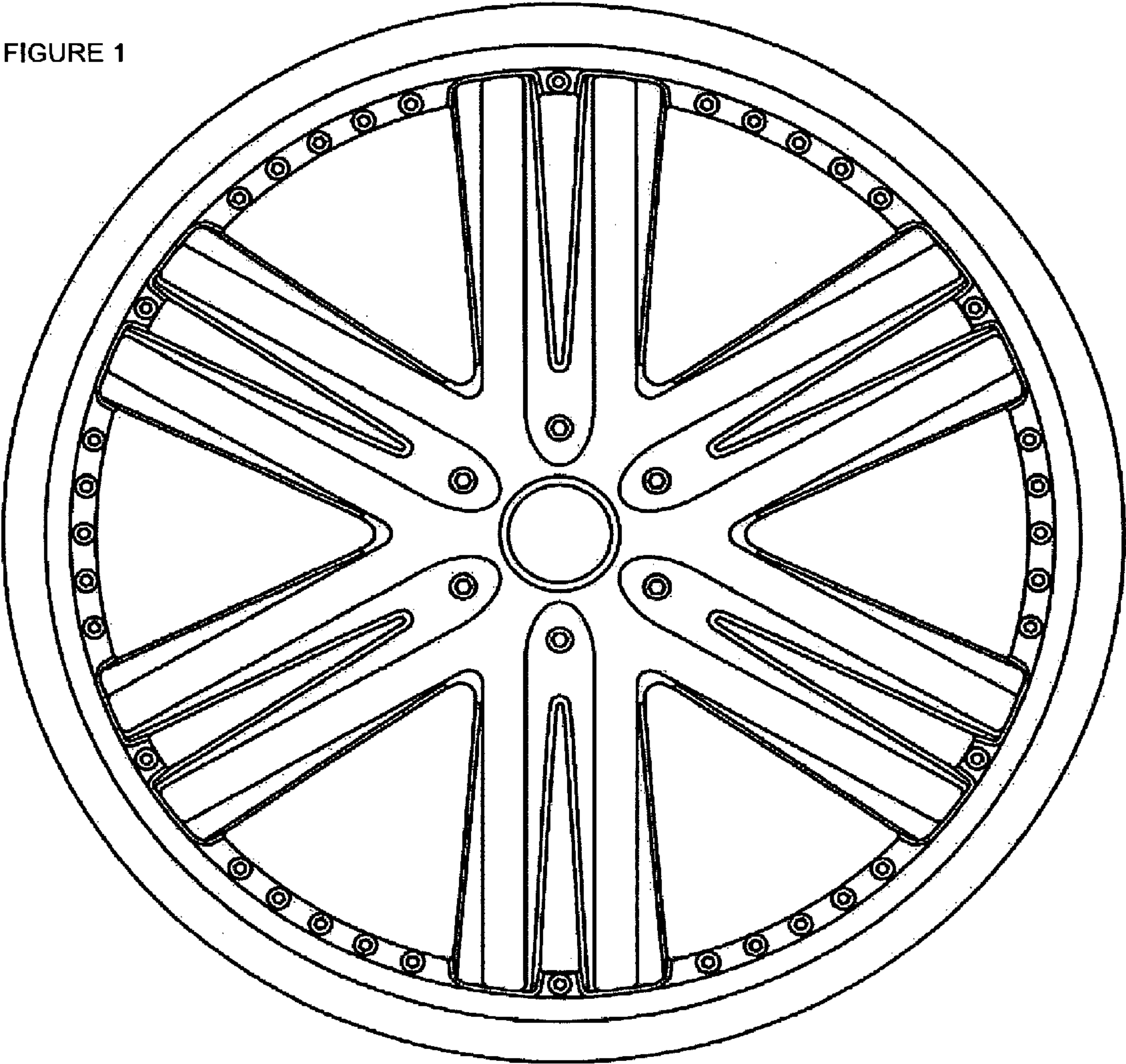


FIGURE 2

