



US00D656446S

(12) **United States Design Patent**
Lee

(10) **Patent No.:** **US D656,446 S**
(45) **Date of Patent:** **** Mar. 27, 2012**

(54) **AUTOMOTIVE WHEEL**

(75) Inventor: **Kevin Lee**, Yorba Linda, CA (US)

(73) Assignee: **Kevin Lee**, Yorba Linda, CA (US)

(**) Term: **14 Years**

(21) Appl. No.: **29/404,523**

(22) Filed: **Oct. 21, 2011**

(51) **LOC (9) Cl.** **12-16**

(52) **U.S. Cl.** **D12/209**

(58) **Field of Classification Search** D12/204-213;
301/37.101, 64.101, 65, 64.201

See application file for complete search history.

(56) **References Cited**

U.S. PATENT DOCUMENTS

D516,991 S * 3/2006 Guevara D12/211
D531,949 S * 11/2006 Arora D12/209

D535,603 S * 1/2007 Guevara D12/209
D560,588 S * 1/2008 Cheng D12/209
D585,010 S * 1/2009 Pollmann D12/211
D612,787 S * 3/2010 Juergens et al. D12/209
D647,450 S * 10/2011 Platto et al. D12/209

* cited by examiner

Primary Examiner — Stacia Cadmus

(74) *Attorney, Agent, or Firm* — MKW Alloy Inc

(57) **CLAIM**

The ornamental design for an automotive wheel, as shown and described.

DESCRIPTION

FIG. 1 is a front elevation view of the automotive wheel of the instant invention; and,

FIG. 2 is a perspective view of the automotive wheel of the instant invention.

1 Claim, 2 Drawing Sheets

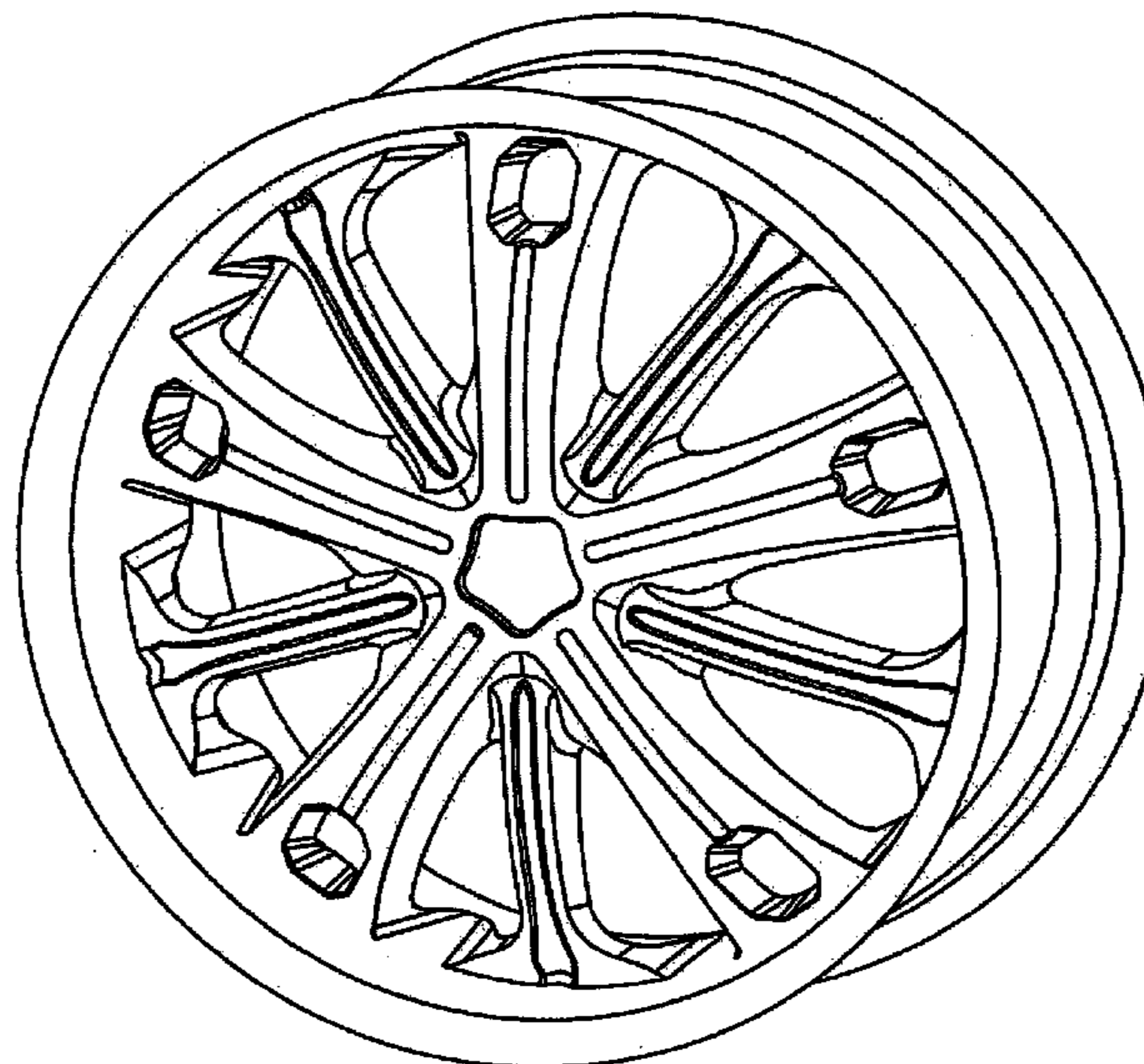
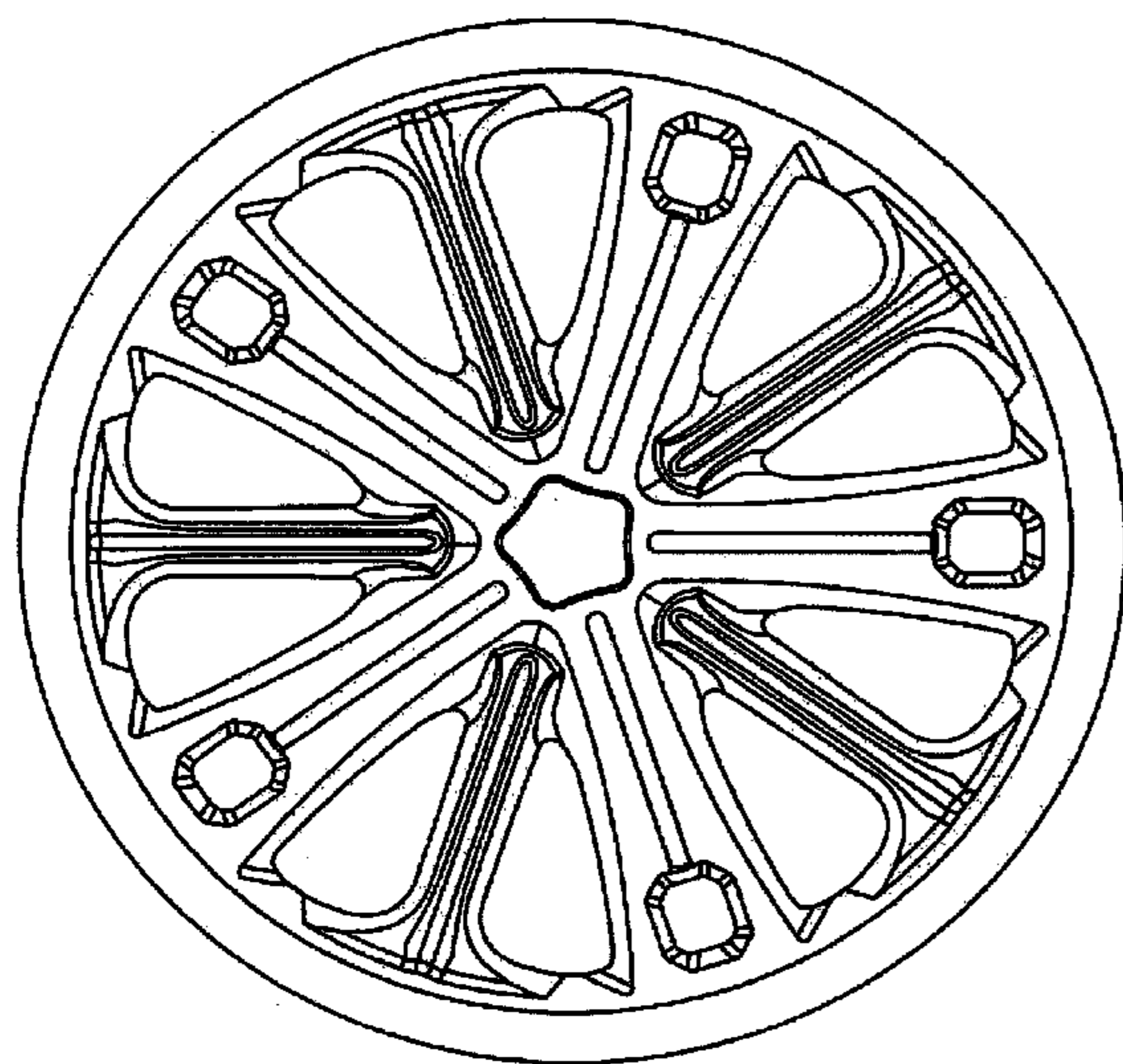


FIGURE 1

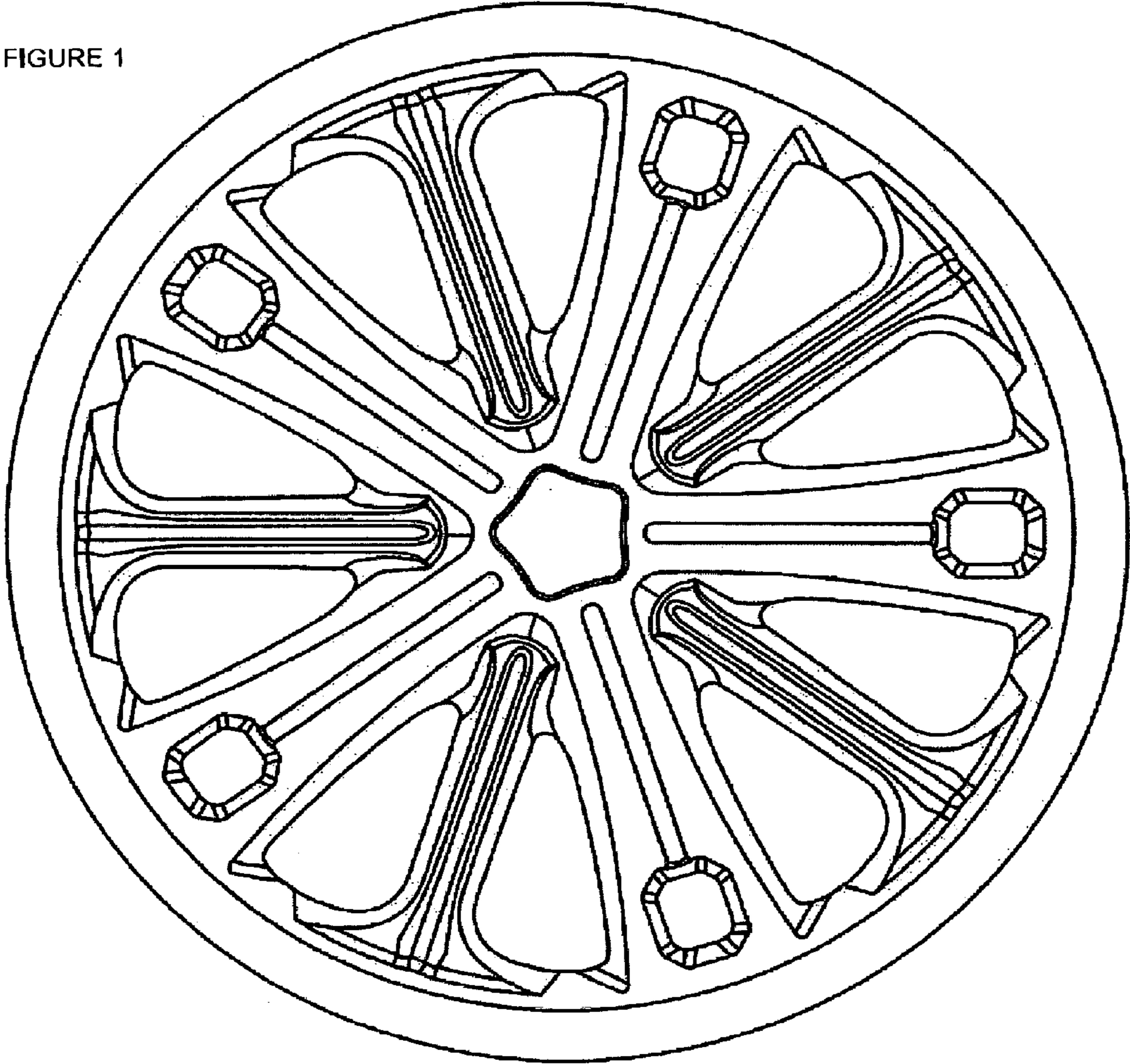


FIGURE 2

