



US00D656445S

(12) **United States Design Patent**
Lee

(10) **Patent No.:** **US D656,445 S**
(45) **Date of Patent:** **** Mar. 27, 2012**

(54) **AUTOMOTIVE WHEEL**

(75) Inventor: **Kevin Lee**, Yorba Linda, CA (US)

(73) Assignee: **Kevin Lee**, Yorba Linda, CA (US)

(**) Term: **14 Years**

(21) Appl. No.: **29/404,520**

(22) Filed: **Oct. 21, 2011**

(51) **LOC (9) Cl.** **12-16**

(52) **U.S. Cl.** **D12/209**

(58) **Field of Classification Search** D12/204-213;
301/37.101, 64.101, 65, 64.201

See application file for complete search history.

(56) **References Cited**

U.S. PATENT DOCUMENTS

D411,502 S * 6/1999 Chung D12/211
D419,947 S * 2/2000 Chung D12/211

D552,524 S * 10/2007 Tirado D12/209
D596,099 S * 7/2009 Chung D12/209
D619,075 S * 7/2010 Zhao D12/211
D633,840 S * 3/2011 Johnson D12/209

* cited by examiner

Primary Examiner — Stacia Cadmus

(74) *Attorney, Agent, or Firm* — MKW Alloy Inc; Kevin Lee

(57) **CLAIM**

The ornamental design for an automotive wheel, as shown and described.

DESCRIPTION

FIG. 1 is a front elevation view of the automotive wheel of the instant invention; and,

FIG. 2 is an perspective view of the automotive wheel of the instant invention.

1 Claim, 2 Drawing Sheets

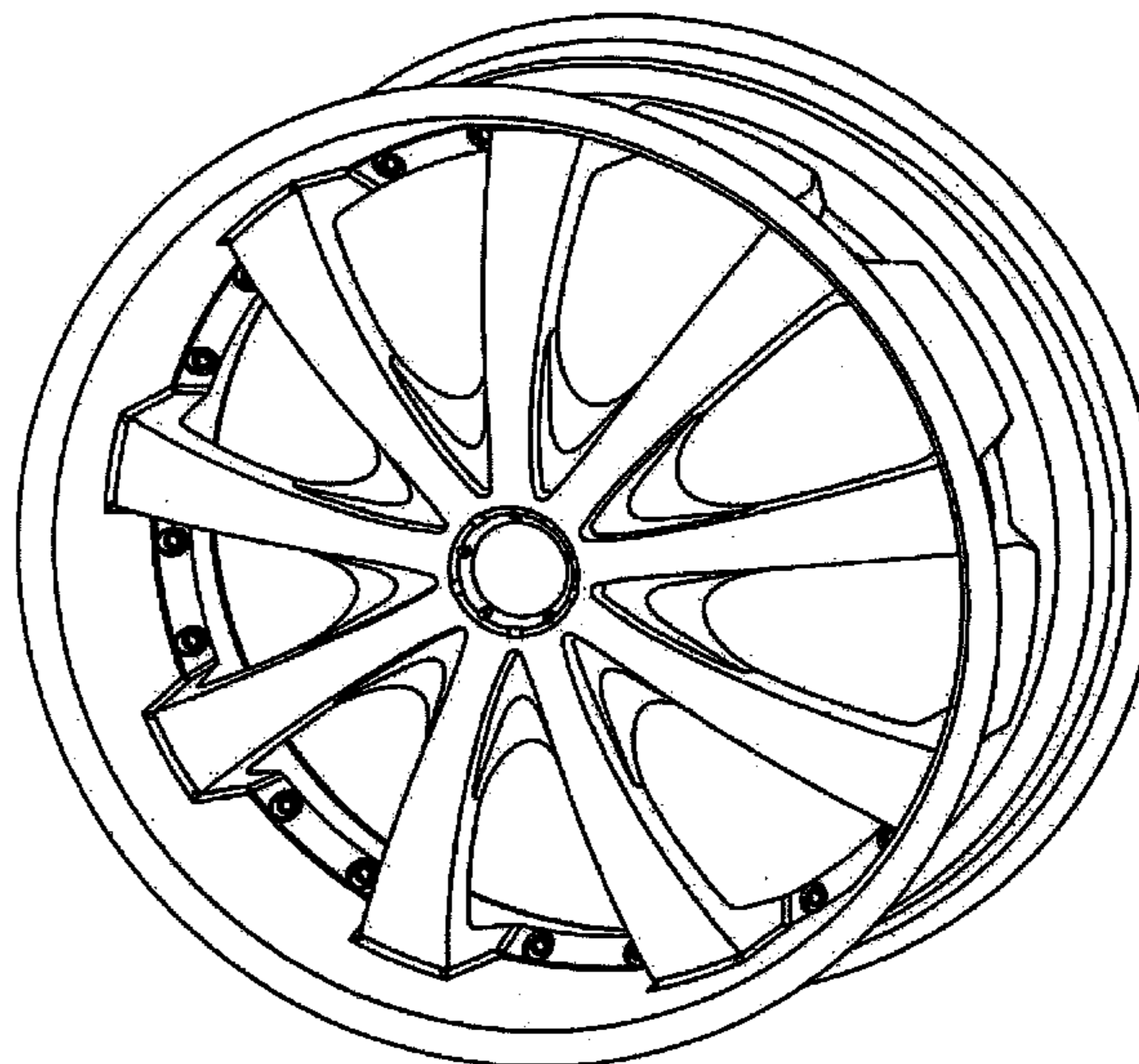
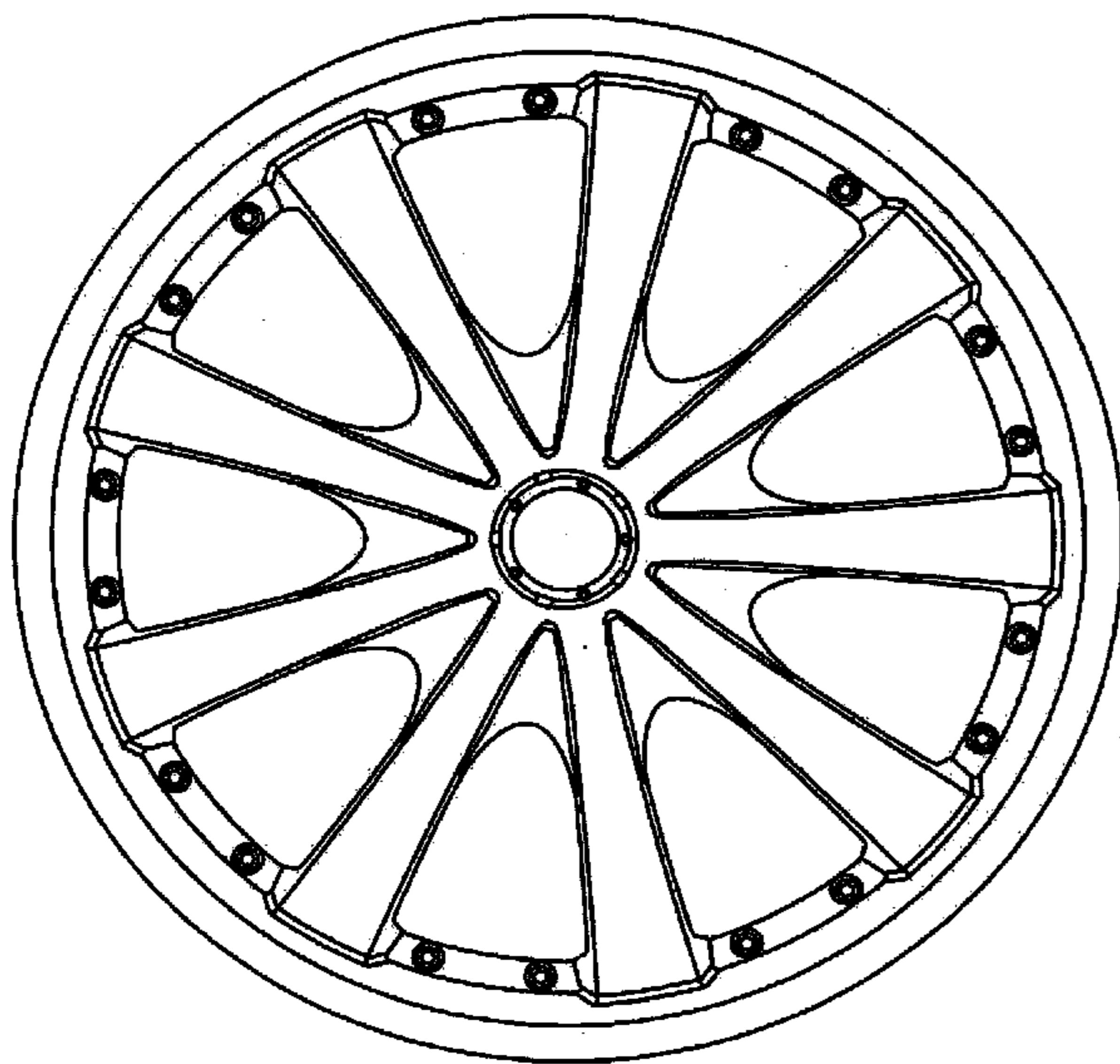


FIGURE 1

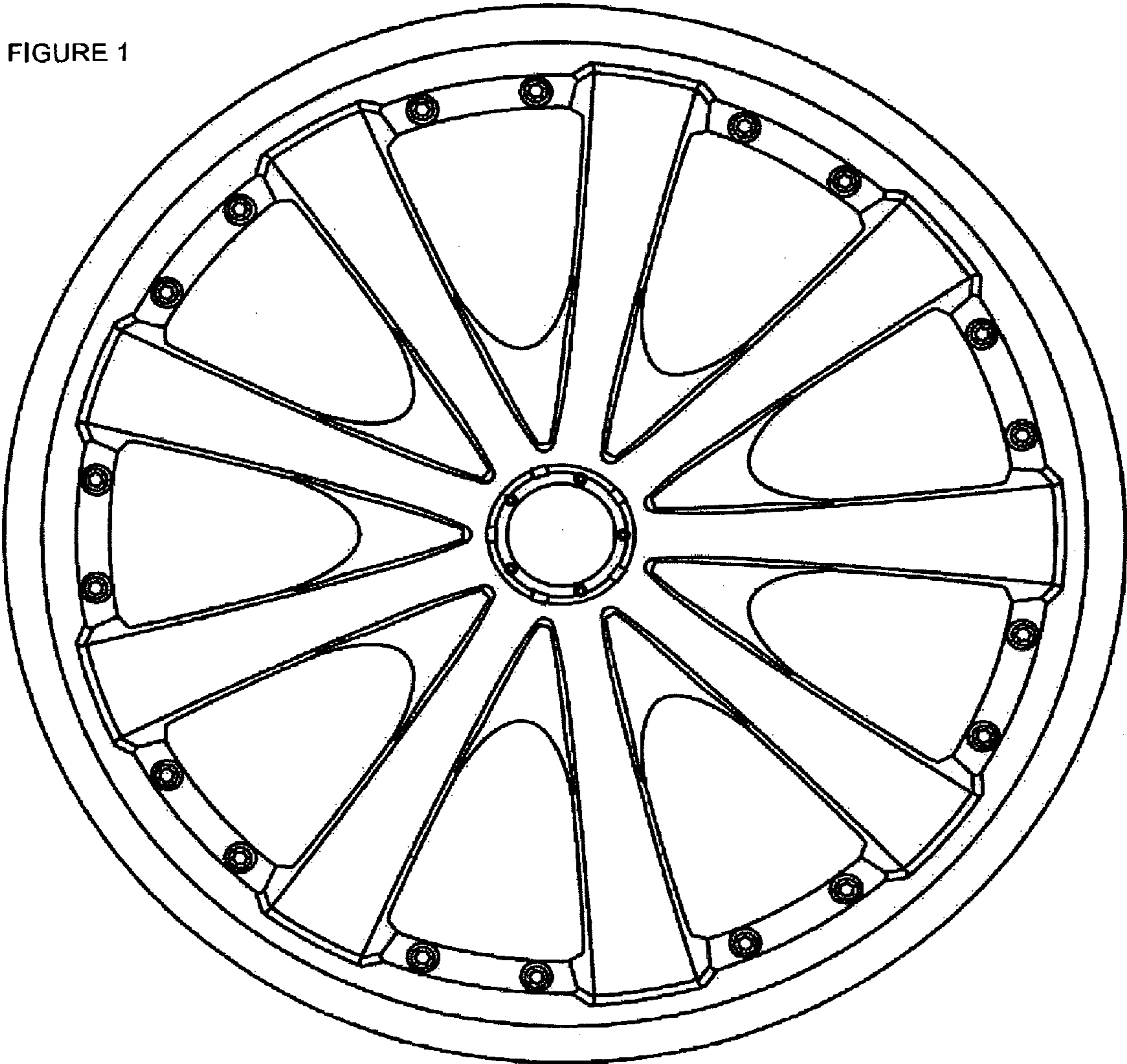


FIGURE 2

